

(19) World Intellectual Property Organization  
International Bureau



(43) International Publication Date  
17 October 2002 (17.10.2002)

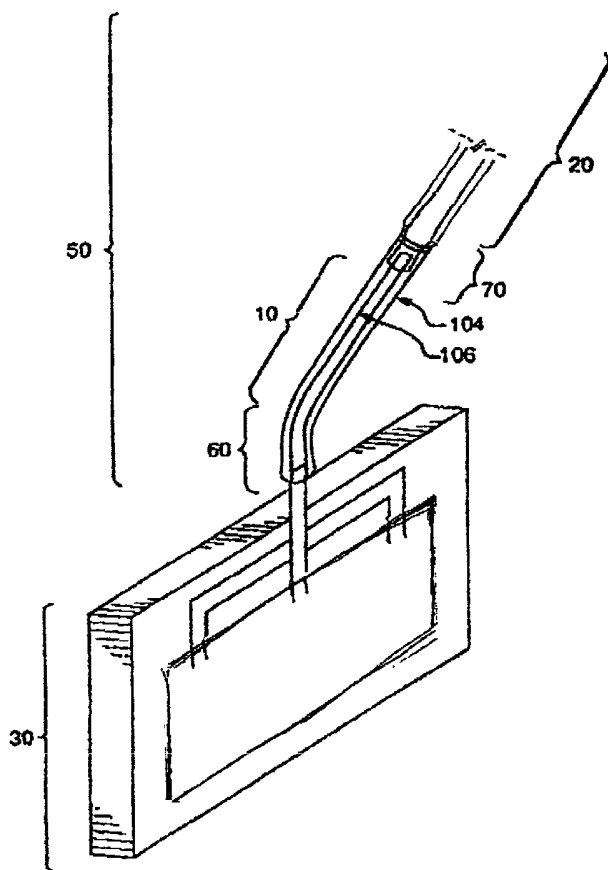
PCT

(10) International Publication Number  
**WO 02/080843 A3**

- (51) International Patent Classification<sup>7</sup>: **A61F 5/44** 02043 (US). **BEANE, Richard, M.** [US/US]; 52 Burr Rd., Hingham, MA 02043 (US).
- (21) International Application Number: PCT/US01/45281
- (22) International Filing Date: 31 October 2001 (31.10.2001)
- (25) Filing Language: English
- (26) Publication Language: English
- (30) Priority Data: 09/826,778 5 April 2001 (05.04.2001) US
- (71) Applicants and
- (72) Inventors: **CHENG, Gordon, C.** [US/US]; 222 Stoney Gate, Carlisle, MA 01741 (US). **VALENTINE, James, R.** [US/US]; 166 Woburn St., Reading, MA 01867 (US). **BEANE, Daniel, M.** [US/US]; 52 Burr Rd., Hingham, MA
- (74) Agents: **CHAPMAN, Kathleen** et al.; Dishong Law Offices, 765 Greenville Rd., Mason, NH 03048 (US).
- (81) Designated States (*national*): AE, AG, AL, AM, AT, AU, AZ, BA, BB, BG, BR, BY, BZ, CA, CH, CN, CO, CR, CU, CZ, DE, DK, DM, DZ, EC, EE, ES, FI, GB, GD, GE, GH, GM, HR, HU, ID, IL, IN, IS, JP, KE, KG, KP, KR, KZ, LC, LK, LR, LS, LT, LU, LV, MA, MD, MG, MK, MN, MW, MX, MZ, NO, NZ, PL, PT, RO, RU, SD, SE, SG, SI, SK, SL, TJ, TM, TR, TT, TZ, UA, UG, US, UZ, VN, YU, ZA, ZW.
- (84) Designated States (*regional*): ARIPO patent (GH, GM, KE, LS, MW, MZ, SD, SL, SZ, TZ, UG, ZW), Eurasian patent (AM, AZ, BY, KG, KZ, MD, RU, TJ, TM), European patent (AT, BE, CH, CY, DE, DK, ES, FI, FR, GB, GR, IE,

[Continued on next page]

(54) Title: PERSONAL URINE MANAGEMENT SYSTEM FOR HUMANS



(57) Abstract: A urine management system including components in fluid wicking communication with one another - a collection device, a conveyance tube, and a storage container - is disclosed. The gender-shaped collection device has wetttable internal walls and contains a spacing wick. The male collection device additionally has a compression tube that provides a uniform compressive force for attachment and seal. The conveyance tube wicks urine from the collection device to the storage container, and contains a spacer throughout its length to prevent blockage by kinks or twists. The tube adapts to human shape and movement, expands during use, and contracts during idle periods. The storage container receives urine from the conveyance tube and immobilizes it. The storage container can be reusable or disposable. Its internal structure causes uniform distribution of the urine throughout the storage container. The urine system components provide continuous wicking through special connecting devices. The urine system components and special connecting devices may be serially connected to each other or to other types of components.



WO 02/080843 A3



IT, LU, MC, NL, PT, SE, TR), OAPI patent (BF, BJ, CF, CG, CI, CM, GA, GN, GQ, GW, ML, MR, NE, SN, TD, TG).

**(88) Date of publication of the international search report:**  
16 January 2003

**Published:**

— *with international search report*

*For two-letter codes and other abbreviations, refer to the "Guidance Notes on Codes and Abbreviations" appearing at the beginning of each regular issue of the PCT Gazette.*

INTERNATIONAL SEARCH REPORT

International application No.  
PCT/US01/45281

**A. CLASSIFICATION OF SUBJECT MATTER**

IPC(7) :A61F 5/44  
US CL :604/329, 349

According to International Patent Classification (IPC) or to both national classification and IPC

**B. FIELDS SEARCHED**

Minimum documentation searched (classification system followed by classification symbols)

U.S. : 604/329, 349

Documentation searched other than minimum documentation to the extent that such documents are included in the fields searched

Electronic data base consulted during the international search (name of data base and, where practicable, search terms used)

**C. DOCUMENTS CONSIDERED TO BE RELEVANT**

Category*	Citation of document, with indication, where appropriate, of the relevant passages	Relevant to claim No.
X	US 6,183,454 B1 (LEVINE et al) 06 February 2001, col. 3, line to col. 6, line 9 and figures 4 and 8-9	1-4,6, 8-9,11 and 23-25
Y	US 5,002,541 (A CONKLING et al) 26 MARCH 1991, col. 3, line 32 to col. 7, line 17	1-29
A	US 4,795,449 A (SCHNEIDER et al) 31 January 1989, see entire reference	1-29
A	US 5,318,550 A (CERMAK et al) 07 June 1994, see entire reference	1-29

Further documents are listed in the continuation of Box C.  See patent family annex.

* Special categories of cited documents:	"T" later document published after the international filing date or priority date and not in conflict with the application but cited to understand the principle or theory underlying the invention
"A" document defining the general state of the art which is not considered to be of particular relevance	"X" document of particular relevance: the claimed invention cannot be considered novel or cannot be considered to involve an inventive step when the document is taken alone
"E" earlier document published on or after the international filing date	"Y" document of particular relevance: the claimed invention cannot be considered to involve an inventive step when the document is combined with one or more other such documents, such combination being obvious to a person skilled in the art
"L" document which may throw doubts on priority claim(s) or which is cited to establish the publication date of another citation or other special reason (as specified)	"&" document member of the same patent family
"O" document referring to an oral disclosure, use, exhibition or other means	
"P" document published prior to the international filing date but later than the priority date claimed	

Date of the actual completion of the international search 07 MAY 2002	Date of mailing of the international search report 11 JUL 2002
--	---

Name and mailing address of the ISA/US  
Commissioner of Patents and Trademarks  
Box PCT  
Washington, D.C. 20231  
Facsimile No. (703) 805-3230

Authorized officer  
MICHELE KIDWELL  
Telephone No. (703) 808-0858