



(51) International Patent Classification:  
**G01R 31/36** (2006.01)

(21) International Application Number:  
PCT/US2011/028530

(22) International Filing Date:  
15 March 2011 (15.03.2011)

(25) Filing Language: English

(26) Publication Language: English

(30) Priority Data:  
12/729,154 22 March 2010 (22.03.2010) US

(71) Applicant (for all designated States except US): **T-MOBILE USA, INC.** [US/US]; 12920 SE 38th Street, Bellevue, WA 98006-1350 (US).

(72) Inventors; and

(75) Inventors/Applicants (for US only): **BACON, Daniel, P.** [US/US]; T-Mobile USA, Inc., 12920 SE 38th Street, Bellevue, WA 98006-1350 (US). **JENKINSON, David, Ross** [US/US]; T-Mobile USA, Inc., 12920 SE 38th Street, Bellevue, WA 98006-1350 (US).

(74) Agents: **KRUGER, Damon, J.** et al.; Lee & Hayes, PLLC, 601 W. Riverside Ave, Suite 1400, Spokane, WA 99201 (US).

(81) Designated States (unless otherwise indicated, for every kind of national protection available): AE, AG, AL, AM, AO, AT, AU, AZ, BA, BB, BG, BH, BR, BW, BY, BZ, CA, CH, CL, CN, CO, CR, CU, CZ, DE, DK, DM, DO, DZ, EC, EE, EG, ES, FI, GB, GD, GE, GH, GM, GT, HN, HR, HU, ID, IL, IN, IS, JP, KE, KG, KM, KN, KP, KR, KZ, LA, LC, LK, LR, LS, LT, LU, LY, MA, MD, ME, MG, MK, MN, MW, MX, MY, MZ, NA, NG, NI, NO, NZ, OM, PE, PG, PH, PL, PT, RO, RS, RU, SC, SD, SE, SG, SK, SL, SM, ST, SV, SY, TH, TJ, TM, TN, TR, TT, TZ, UA, UG, US, UZ, VC, VN, ZA, ZM, ZW.

(84) Designated States (unless otherwise indicated, for every kind of regional protection available): ARIPO (BW, GH, GM, KE, LR, LS, MW, MZ, NA, SD, SL, SZ, TZ, UG, ZM, ZW), Eurasian (AM, AZ, BY, KG, KZ, MD, RU, TJ, TM), European (AL, AT, BE, BG, CH, CY, CZ, DE, DK, EE, ES, FI, FR, GB, GR, HR, HU, IE, IS, IT, LT, LU, LV, MC, MK, MT, NL, NO, PL, PT, RO, RS, SE, SI, SK, SM, TR), OAPI (BF, BJ, CF, CG, CI, CM, GA, GN, GQ, GW, ML, MR, NE, SN, TD, TG).

[Continued on next page]

(54) Title: BATTERY ANALYSIS INTERFACE AND MEASUREMENT SYSTEM

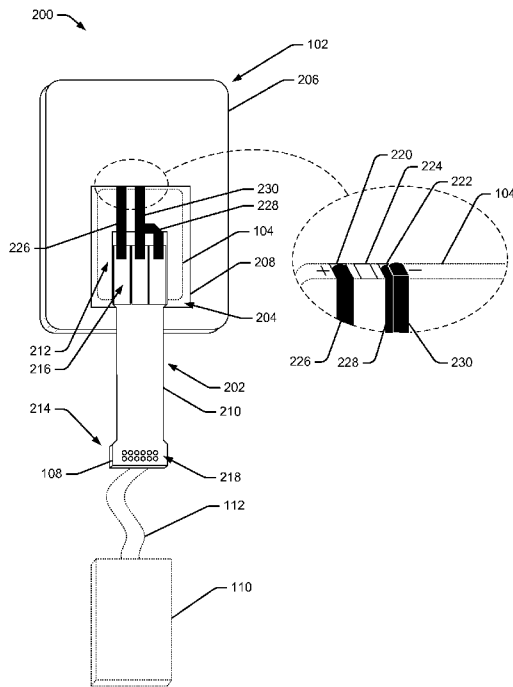


FIG. 2

(57) Abstract: A battery analysis interface enables measurement of a performance of an internal battery while the battery powers an electronic device. The battery analysis interface is configured to connect an analysis device to the battery located within a battery compartment of the electronic device and enclosed by a battery cover. In this way, the battery analysis interface may enable testing of the battery's performance while the electronic device is fully assembled (i.e., the battery cover is secured to electronic device). The battery analysis interface may be connected to directly to terminals on the battery and/or electronic device or connected to the terminals via wires or strips of conductive material.





**Published:**

**(88) Date of publication of the international search report:**

1 December 2011

- *with international search report (Art. 21(3))*
- *before the expiration of the time limit for amending the claims and to be republished in the event of receipt of amendments (Rule 48.2(h))*

**A. CLASSIFICATION OF SUBJECT MATTER****G01R 31/36(2006.01)i**

According to International Patent Classification (IPC) or to both national classification and IPC

**B. FIELDS SEARCHED**

Minimum documentation searched (classification system followed by classification symbols)

G01R 31/36; G01N 27/42; H01R 11/00; H02J 7/00; G01N 27/416

Documentation searched other than minimum documentation to the extent that such documents are included in the fields searched

Korean utility models and applications for utility models

Japanese utility models and applications for utility models

Electronic data base consulted during the international search (name of data base and, where practicable, search terms used)

eKOMPASS(KIPO internal) &amp; Keywords: flexible, battery, analysis, terminal, device, internal, performance, connect, power, interface, strip, positive, negative, conductor, receive, pad

**C. DOCUMENTS CONSIDERED TO BE RELEVANT**

Category*	Citation of document, with indication, where appropriate, of the relevant passages	Relevant to claim No.
A	US 2005-0057256 A1 (KEVIN, I. BERTNESS) 17 March 2005 See the abstract, paragraphs [0014]-[0025], claim 1 and figures 1,5	1-20
A	US 6913483 B2 (HARVEY A. RESTAINO et al.) 05 July 2005 See the abstract, column 5, line 46-column 6, line 54, and figure 1	1-20
A	US 2004-0212342 A1 (BATSON DAVID C.) 28 October 2004 See the abstract, paragraphs [0004]-[0016], and figure 1	1-20
A	US 03974441A A (VAN DEN HAAK; JOHANNES) 10 August 1976 See the abstract, column 2, line 4-column 3, line 14, and figure 2	1-20

 Further documents are listed in the continuation of Box C. See patent family annex.

\* Special categories of cited documents:

"A" document defining the general state of the art which is not considered to be of particular relevance

"E" earlier application or patent but published on or after the international filing date

"L" document which may throw doubts on priority claim(s) or which is cited to establish the publication date of citation or other special reason (as specified)

"O" document referring to an oral disclosure, use, exhibition or other means

"P" document published prior to the international filing date but later than the priority date claimed

"T" later document published after the international filing date or priority date and not in conflict with the application but cited to understand the principle or theory underlying the invention

"X" document of particular relevance; the claimed invention cannot be considered novel or cannot be considered to involve an inventive step when the document is taken alone

"Y" document of particular relevance; the claimed invention cannot be considered to involve an inventive step when the document is combined with one or more other such documents, such combination being obvious to a person skilled in the art

"&amp;" document member of the same patent family

Date of the actual completion of the international search

27 SEPTEMBER 2011 (27.09.2011)

Date of mailing of the international search report

**28 SEPTEMBER 2011 (28.09.2011)**

Name and mailing address of the ISA/KR

Korean Intellectual Property Office  
Government Complex-Daejeon, 189 Cheongsa-ro,  
Seo-gu, Daejeon 302-701, Republic of Korea

Facsimile No. 82-42-472-7140

Authorized officer

PARK, Keun Yong

Telephone No. 82-42-481-8508



**INTERNATIONAL SEARCH REPORT**

Information on patent family members

International application No.

**PCT/US2011/028530**

Patent document cited in search report	Publication date	Patent family member(s)	Publication date
US 2005-0057256 A1	17.03.2005	AU 1999-12791 A1	24.05.1999
		AU 2000-47004 A1	17.11.2000
		AU 2003-217904 A1	22.09.2003
		AU 2003-220264 A1	29.09.2003
		AU 2003-223266 A1	29.09.2003
		AU 2003-301787 A1	07.06.2004
		AU 2003-301787 A8	07.06.2004
		EP 1206826 A1	22.05.2002
		EP 1206826 A4	22.12.2004
		EP 1206826 B1	25.02.2009
		EP 1485726 A1	15.12.2004
		EP 1485726 B1	13.10.2010
		EP 1825912 A1	29.08.2007
		GB 2406656 A	06.04.2005
		GB 2416215 A	18.01.2006
		GB 2443373 A	30.04.2008
		JP 04-414757 B2	27.11.2009
		JP 04-682151 B2	10.02.2011
		JP 2002-543754 A	17.12.2002
		JP 2004-144753 A	20.05.2004
		JP 2004-201484 A	15.07.2004
		JP 2005-503952 A	10.02.2005
		JP 2005-520158 A	07.07.2005
		KR 10-2002-0026428 A	10.04.2002
		US 06051976A A	18.04.2000
		US 06081098A A	27.06.2000
		US 06091245A A	18.07.2000
		US 06104167A A	15.08.2000
		US 2002-0003423 A1	10.01.2002
		US 2002-0036504 A1	28.03.2002
		US 2002-0153864 A1	24.10.2002
		US 2002-0171428 A1	21.11.2002
		US 2003-0001579 A1	02.01.2003
		US 2003-0025481 A1	06.02.2003
		US 2003-0038637 A1	27.02.2003
		US 2003-0048106 A1	13.03.2003
		US 2003-0088375 A1	08.05.2003
		US 2003-0090272 A1	15.05.2003
		US 2003-0173971 A1	18.09.2003
		US 2004-0036443 A1	26.02.2004
		US 2004-0104728 A1	03.06.2004
		US 2004-0145371 A1	29.07.2004
		US 2004-0232918 A1	25.11.2004
		US 2004-0263176 A1	30.12.2004
		US 2005-0001626 A1	06.01.2005
		US 2005-0021475 A1	27.01.2005
		US 2005-0024061 A1	03.02.2005
		US 2005-0035752 A1	17.02.2005
		US 2005-0068039 A1	31.03.2005

**INTERNATIONAL SEARCH REPORT**

Information on patent family members

International application No.

**PCT/US2011/028530**

Patent document cited in search report	Publication date	Patent family member(s)	Publication date
		US 2005-0075807 A1	07.04.2005
		US 2005-0162172 A1	28.07.2005
		US 2005-0212521 A1	29.09.2005
		US 2005-0218901 A1	06.10.2005
		US 2005-0231205 A1	20.10.2005
		US 2006-0006876 A1	12.01.2006
		US 2006-0217914 A1	28.09.2006
		US 2006-0279287 A1	14.12.2006
		US 2006-0282226 A1	14.12.2006
		US 2006-0282227 A1	14.12.2006
		US 2007-0069734 A1	29.03.2007
		US 2007-0159177 A1	12.07.2007
		US 2007-0244660 A1	18.10.2007
		US 2008-0081762 A1	03.04.2008
		US 2009-0160451 A1	25.06.2009
		US 2010-0013489 A1	21.01.2010
		US 2010-0188091 A1	29.07.2010
		US 2010-0194576 A1	05.08.2010
		US 2010-0262404 A1	14.10.2010
		US 2010-0295549 A1	25.11.2010
		US 6313608 B1	06.11.2001
		US 6316914 B1	13.11.2001
		US 6329793 B1	11.12.2001
		US 6331762 B1	18.12.2001
		US 6351102 B1	26.02.2002
		US 6445158 B1	03.09.2002
		US 6456045 B1	24.09.2002
		US 6566883 B1	20.05.2003
		US 6586941 B2	01.07.2003
		US 6633165 B2	14.10.2003
		US 6759849 B2	06.07.2004
		US 6801040 B2	05.10.2004
		US 6801040W D	05.10.2004
		US 6850037 B2	01.02.2005
		US 6871151 B2	22.03.2005
		US 6885195 B2	26.04.2005
		US 6909287 B2	21.06.2005
		US 6914413 B2	05.07.2005
		US 6930485 B2	16.08.2005
		US 6941234 B2	06.09.2005
		US 6967484 B2	22.11.2005
		US 6998847 B2	14.02.2006
		US 7003410 B2	21.02.2006
		US 7003411 B2	21.02.2006
		US 7034541 B2	25.04.2006
		US 7126341 B2	24.10.2006
		US 7246015 B2	17.07.2007
		US 7295936 B2	13.11.2007
		US 7398176 B2	08.07.2008
		US 7446536 B2	04.11.2008

**INTERNATIONAL SEARCH REPORT**

Information on patent family members

International application No.

**PCT/US2011/028530**

Patent document cited in search report	Publication date	Patent family member(s)	Publication date
		US 7557586 B1	07.07.2009
		US 7598743 B2	06.10.2009
		US 7598744 B2	06.10.2009
		US 7642787 B2	05.01.2010
		US 7656162 B2	02.02.2010
		US 7688074 B2	30.03.2010
		US 7705602 B2	27.04.2010
		US 7706991 B2	27.04.2010
		US 7728597 B2	01.06.2010
		US 7737077 B2	15.06.2010
		US 7772850 B2	10.08.2010
		US 7774151 B2	10.08.2010
		US 7924015 B2	12.04.2011
		US 7940052 B2	10.05.2011
		US 7999505 B2	16.08.2011
		WO 00-67359 A1	09.11.2000
		WO 03-025602 A1	27.03.2003
		WO 03-034084 A1	24.04.2003
		WO 03-076960 A1	18.09.2003
		WO 03-079032 A1	25.09.2003
		WO 03-079033 A1	25.09.2003
		WO 2004-042840 A2	21.05.2004
		WO 2004-042840 A3	21.05.2004
		WO 2006-057067 A1	01.06.2006
		WO 2007-027702 A2	08.03.2007
		WO 2007-027702 A3	08.03.2007
		WO 98-04910 A1	05.02.1998
		WO 99-23738 A1	14.05.1999
US 6913483 B2	05.07.2005	US 2004-257084 A1	23.12.2004
US 2004-0212342 A1	28.10.2004	EP 1374364 A1	02.01.2004
		EP 2256900 A1	01.12.2010
		US 2002-0180405 A1	05.12.2002
		US 2004-0012396 A1	22.01.2004
		US 6628102 B2	30.09.2003
		US 7012404 B2	14.03.2006
		US 7205746 B2	17.04.2007
		WO 02-082617 A1	17.10.2002
US 03974441A A	10.08.1976	None	