



(12) **United States Design Patent**
Jung

(10) **Patent No.:** **US D1,008,656 S**
(45) **Date of Patent:** **** Dec. 26, 2023**

(54) **CASE FOR EARPHONES**

FOREIGN PATENT DOCUMENTS

(71) Applicant: **SPIGEN KOREA CO., LTD.**, Seoul (KR)

GB 6182592 * 12/2021
GB 6216234 * 11/2022

(72) Inventor: **Soo Ha Jung**, Seoul (KR)

OTHER PUBLICATIONS

(73) Assignee: **SPIGEN KOREA CO., LTD.**, Seoul (KR)

Spigen AirPods Pro Case, posted at amazon.com, first available Oct. 28, 2019, retrieved on Apr. 11, 2023, online, <https://www.amazon.com/Spigen-Ultra-Hybrid-Designed-Airpods/dp/B07ZPGCJHN> (Year: 2019).*

(**) Term: **15 Years**

Valkit AirPods pro case, posted at amazon.com, first available Sep. 5, 2022, retrieved on Apr. 11, 2023, online, <https://www.amazon.com/dp/B0BD377F85> (Year: 2022).*

(21) Appl. No.: **29/788,673**

(22) Filed: **Jul. 14, 2021**

* cited by examiner

Related U.S. Application Data

(62) Division of application No. 29/733,805, filed on May 6, 2020, now Pat. No. Des. 927,181.

(51) **LOC (14) Cl.** **03-01**

(52) **U.S. Cl.**
USPC **D3/294**

(58) **Field of Classification Search**

USPC D3/207, 208, 211, 212, 215, 218, 230,
D3/273, 294; D9/423-425, 428, 432;
D13/107, 108; D14/203.3, 203.4, 203.6,
D14/205

CPC H04R 1/10; H04R 1/1025; H02J 7/0044;
B65D 85/00

See application file for complete search history.

(57) **CLAIM**

The ornamental design of a case for earphones, as shown and described.

DESCRIPTION

FIG. 1 is a front perspective view of a case for earphones showing my new design;
FIG. 2 is a rear perspective view thereof;
FIG. 3 is a front elevational view thereof;
FIG. 4 is a rear elevational view thereof;
FIG. 5 is a left side elevational view thereof;
FIG. 6 is a right side elevational view thereof;
FIG. 7 is a top plan view thereof; and,
FIG. 8 is a bottom plan view thereof.

The broken lines throughout the drawing figures depict portions of the case for earphones that form no part of the claimed design.

1 Claim, 8 Drawing Sheets

(56) **References Cited**

U.S. PATENT DOCUMENTS

D806,388 S *	1/2018	Akana	D3/294
D893,184 S *	8/2020	Liu	D3/294
D901,177 S *	11/2020	Wei	D3/294
D902,588 S *	11/2020	Zhang	D3/294
D907,049 S *	1/2021	Yu	D14/440
D911,706 S *	3/2021	Hyun	D3/273
D912,390 S *	3/2021	Hyun	D3/273
D924,567 S *	7/2021	Jung	D3/302
D927,181 S *	8/2021	Jung	D3/294
D953,739 S *	6/2022	Akana	D14/223
2021/0029424 A1 *	1/2021	Wright	H04R 1/1025

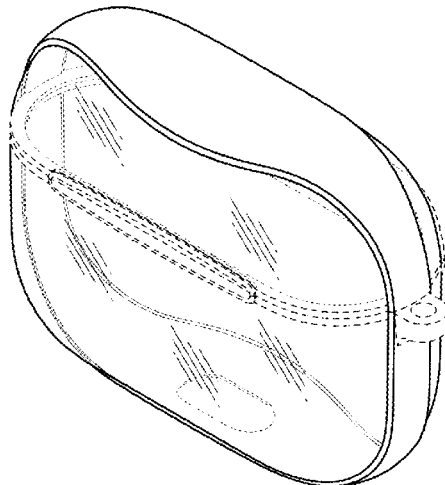


FIG. 1

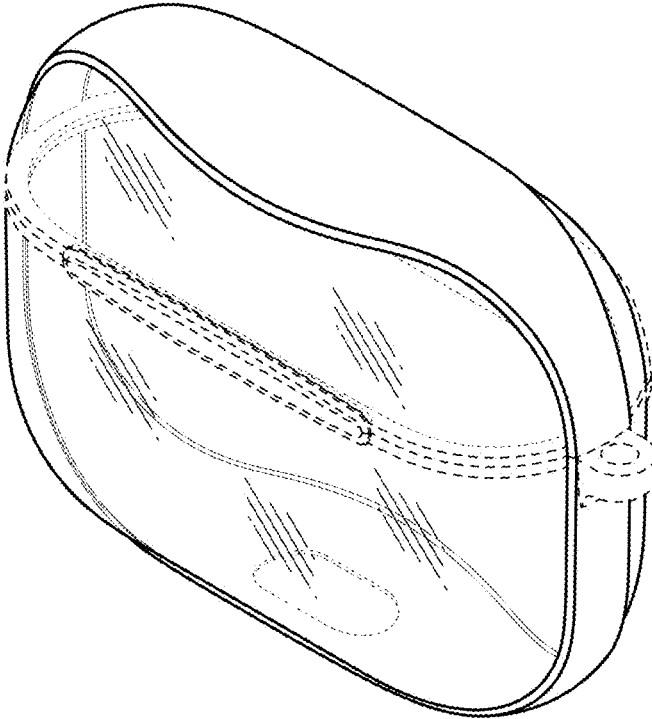


FIG. 2

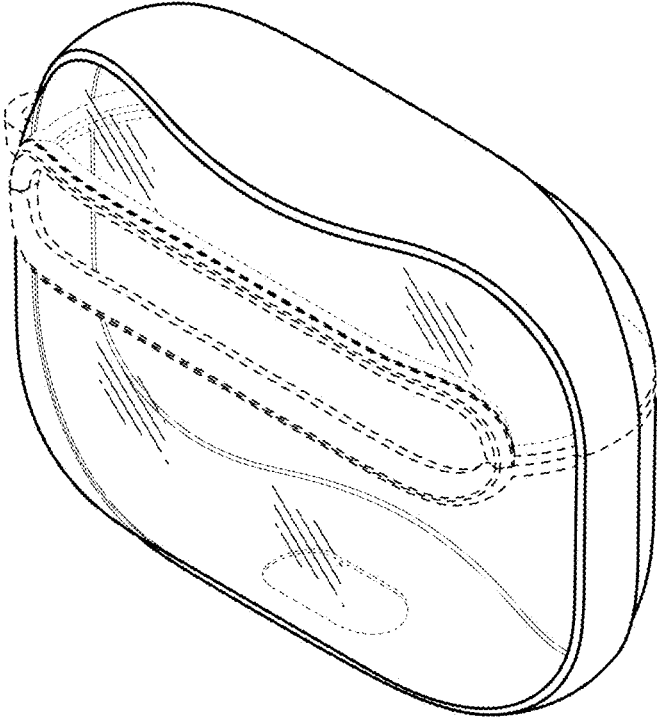


FIG. 3

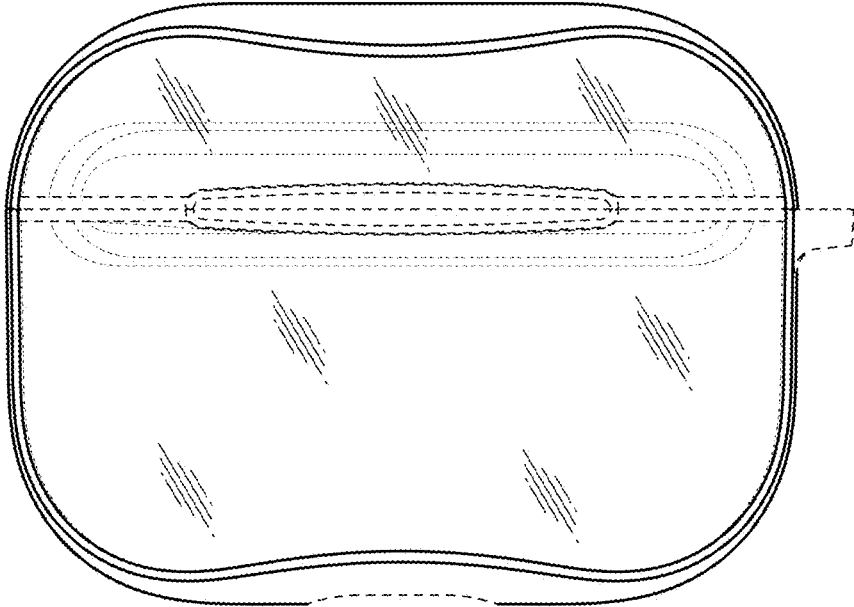


FIG. 4

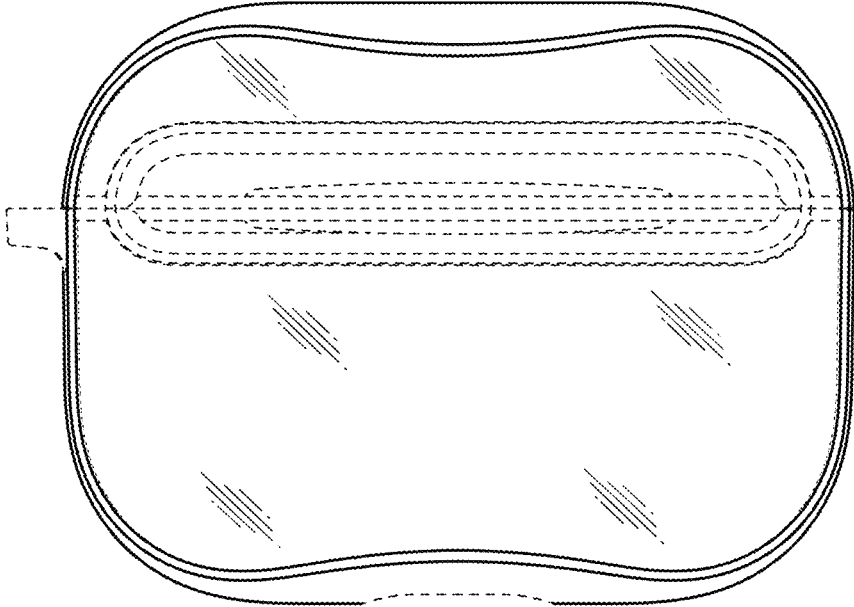


FIG. 5

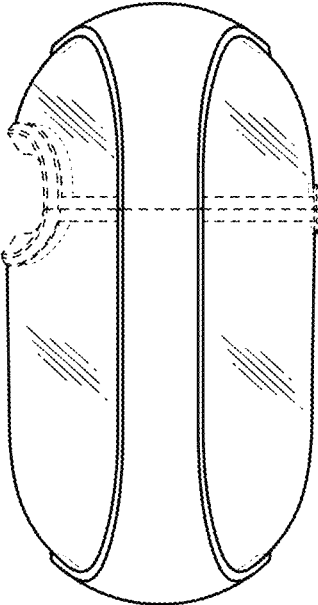


FIG. 6



FIG. 7

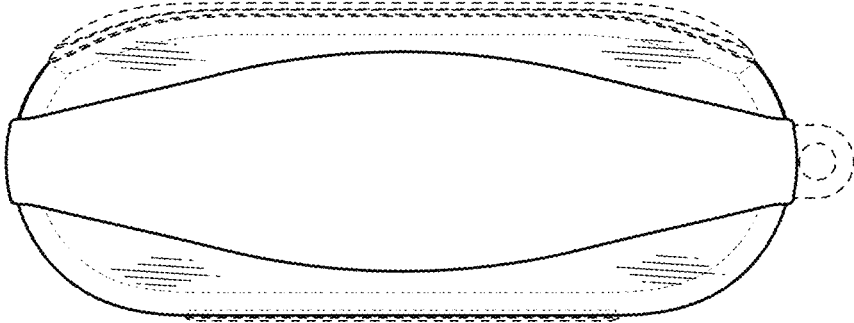


FIG. 8

