



- (51) **International Patent Classification:**
H01R 13/73 (2006.01) *H02G 3/16* (2006.01)
- (21) **International Application Number:**
PCT/US2012/042211
- (22) **International Filing Date:**
13 June 2012 (13.06.2012)
- (25) **Filing Language:** English
- (26) **Publication Language:** English
- (30) **Priority Data:**
61/496,354 13 June 2011 (13.06.2011) US
61/638,179 25 April 2012 (25.04.2012) US
- (71) **Applicant (for all designated States except US):** **THE WIREMOLD COMPANY** [US/US]; 60 Woodlawn Street, West Hartford, Connecticut 06110 (US).
- (72) **Inventor; and**
- (75) **Inventor/Applicant (for US only):** **GALASSO, Marc** [US/US]; 361 Rimmon Hill Road, Beacon Falls, Connecticut 06403 (US).
- (74) **Agent:** **CUNNINGHAM, Marina, F.**; McCormick, Paulding & Huber LLP, 185 Asylum Street, CityPlace II, Hartford, Connecticut 06103-3410 (US).
- (81) **Designated States (unless otherwise indicated, for every kind of national protection available):** AE, AG, AL, AM, AO, AT, AU, AZ, BA, BB, BG, BH, BR, BW, BY, BZ, CA, CH, CL, CN, CO, CR, CU, CZ, DE, DK, DM, DO,

DZ, EC, EE, EG, ES, FI, GB, GD, GE, GH, GM, GT, HN, HR, HU, ID, IL, IN, IS, JP, KE, KG, KM, KN, KP, KR, KZ, LA, LC, LK, LR, LS, LT, LU, LY, MA, MD, ME, MG, MK, MN, MW, MX, MY, MZ, NA, NG, NI, NO, NZ, OM, PE, PG, PH, PL, PT, QA, RO, RS, RU, RW, SC, SD, SE, SG, SK, SL, SM, ST, SV, SY, TH, TJ, TM, TN, TR, TT, TZ, UA, UG, US, UZ, VC, VN, ZA, ZM, ZW.

(84) **Designated States (unless otherwise indicated, for every kind of regional protection available):** ARIPO (BW, GH, GM, KE, LR, LS, MW, MZ, NA, RW, SD, SL, SZ, TZ, UG, ZM, ZW), Eurasian (AM, AZ, BY, KG, KZ, RU, TJ, TM), European (AL, AT, BE, BG, CH, CY, CZ, DE, DK, EE, ES, FI, FR, GB, GR, HR, HU, IE, IS, IT, LT, LU, LV, MC, MK, MT, NL, NO, PL, PT, RO, RS, SE, SI, SK, SM, TR), OAPI (BF, BJ, CF, CG, CI, CM, GA, GN, GQ, GW, ML, MR, NE, SN, TD, TG).

Declarations under Rule 4.17:

— as to the identity of the inventor (Rule 4.17(i))

Published:

- with international search report (Art. 21(3))
- before the expiration of the time limit for amending the claims and to be republished in the event of receipt of amendments (Rule 48.2(h))

(88) **Date of publication of the international search report:**
28 February 2013

(54) **Title:** RISING RECEPTACLE BOX ASSEMBLY

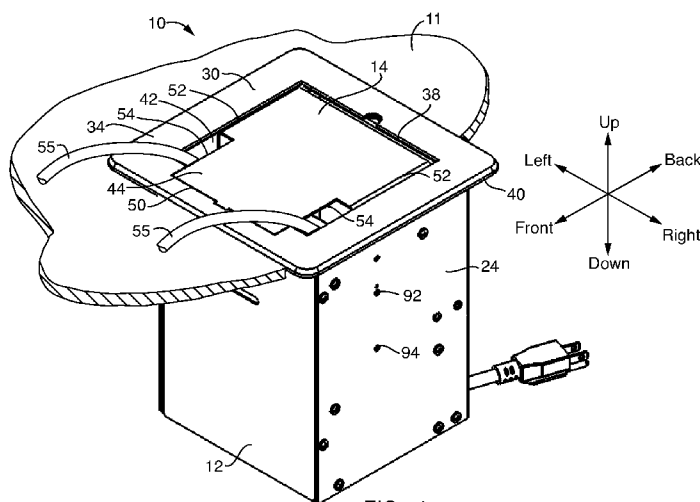


FIG. 1

(57) **Abstract:** A rising receptacle box assembly for flush installation on a work surface. The rising receptacle box assembly includes a receptacle assembly for housing receptacles and jacks. The receptacle assembly can move between a lowered position and a raised position. In the raised position, the receptacle assembly is substantially level with a work surface on which the rising receptacle box assembly is supported, so that the receptacles and jacks are easily accessible. In the lowered position, the receptacle assembly is lowered beneath the work surface so that inserted plugs and connectors are stowed away in a recess below the work surface. Raising and lowering of the receptacle assembly can be coupled to the opening and closing of a lid of the rising receptacle box assembly. The lid may include one or more cutouts so that cables associated with inserted plugs and connectors can pass through when the receptacle assembly moves to the lowered position.



INTERNATIONAL SEARCH REPORT

International application No.
PCT/US2012/042211**A. CLASSIFICATION OF SUBJECT MATTER***H01R 13/73(2006.01)i, H02G 3/16(2006.01)i*

According to International Patent Classification (IPC) or to both national classification and IPC

B. FIELDS SEARCHED

Minimum documentation searched (classification system followed by classification symbols)

H01R 13/73; H01R 13/658; H01R 13/447; H01R 13/44

Documentation searched other than minimum documentation to the extent that such documents are included in the fields searched

Korean utility models and applications for utility models
Japanese utility models and applications for utility models

Electronic data base consulted during the international search (name of data base and, where practicable, search terms used)

eKOMPASS(KIPO internal) & Keywords: lid, receptacle assembly, move, frame, open, closed, base, cover

C. DOCUMENTS CONSIDERED TO BE RELEVANT

Category*	Citation of document, with indication, where appropriate, of the relevant passages	Relevant to claim No.
X Y A	US 2004-0147147 A1 (DENNIS G. GRIEPENTROG) 29 July 2004 See abstract; paragraphs [0070]-[0073]; claims 1 and figures 1 and 7.	1, 2, 12 10 3-9, 11, 13-19
Y	US 05387761 A (ANDREW SIMONIS) 07 February 1995 See abstract; column 4, lines 63-65; claim 1 and figures 1-3.	10
A	WO 03-077377 A1 (TYCO ELECTRONICS CORPORATION) 18 September 2003 See abstract; paragraphs [0039]-[0045] and figure 1.	1-19

 Further documents are listed in the continuation of Box C. See patent family annex.

* Special categories of cited documents:

"A" document defining the general state of the art which is not considered to be of particular relevance

"E" earlier application or patent but published on or after the international filing date

"L" document which may throw doubts on priority claim(s) or which is cited to establish the publication date of citation or other special reason (as specified)

"O" document referring to an oral disclosure, use, exhibition or other means

"P" document published prior to the international filing date but later than the priority date claimed

"T" later document published after the international filing date or priority date and not in conflict with the application but cited to understand the principle or theory underlying the invention

"X" document of particular relevance; the claimed invention cannot be considered novel or cannot be considered to involve an inventive step when the document is taken alone

"Y" document of particular relevance; the claimed invention cannot be considered to involve an inventive step when the document is combined with one or more other such documents, such combination being obvious to a person skilled in the art

"&" document member of the same patent family

Date of the actual completion of the international search

26 DECEMBER 2012 (26.12.2012)

Date of mailing of the international search report

26 DECEMBER 2012 (26.12.2012)

Name and mailing address of the ISA/KR

Korean Intellectual Property Office
189 Cheongsu-ro, Seo-gu, Daejeon Metropolitan
City, 302-701, Republic of Korea

Facsimile No. 82-42-472-7140

Authorized officer

Park Jung Min

Telephone No. 82-42-481-5562



INTERNATIONAL SEARCH REPORT

Information on patent family members

International application No.

PCT/US2012/042211

Patent document cited in search report	Publication date	Patent family member(s)	Publication date
US 2004-0147147 A1	29.07.2004	US 6979209 B2	27.12.2005
US 05387761 A	07.02.1995	None	
WO 03-077377 A1	18.09.2003	AU 2003-213734 A1	22.09.2003
		AU 2003-220045 A1	22.09.2003
		AU 2003-220046 A1	22.09.2003
		AU 2003-223221 A1	22.09.2003
		CN 100377443 C0	26.03.2008
		CN 1314307 C0	02.05.2007
		CN 1647322 A	27.07.2005
		CN 1647322 C0	26.03.2008
		CN 1647599 A	27.07.2005
		CN 1647599 C0	02.05.2007
		JP 04-251452 B2	08.04.2009
		JP 04-632289 B2	26.11.2010
		JP 2005-519452 A	30.06.2005
		JP 2005-520296 A	07.07.2005
		JP 4632289 B2	23.02.2011
		WO 03-077375 A1	18.09.2003
		WO 03-077376 A1	18.09.2003
		WO 03-077377 A1	18.09.2003
		WO 03-077626 A1	18.09.2003