



US00D669404S

(12) **United States Design Patent**  
**Bondra**

(10) **Patent No.:** **US D669,404 S**

(45) **Date of Patent:** **\*\* Oct. 23, 2012**

(54) **CAR BRAKE/CLUTCH PEDAL**

(76) Inventor: **Kevin Bondra**, Macomb, MI (US)

(\*\*) Term: **14 Years**

(21) Appl. No.: **29/386,428**

(22) Filed: **Mar. 1, 2011**

(51) **LOC (9) Cl.** ..... **12-16**

(52) **U.S. Cl.** ..... **D12/174**

(58) **Field of Classification Search** ..... D12/174;  
74/560-563, 594.4; 280/259, 291; 403/257  
See application file for complete search history.

(56) **References Cited**

**U.S. PATENT DOCUMENTS**

5,398,569	A *	3/1995	Carr	74/512
5,865,067	A *	2/1999	Knapp	74/512
D424,994	S *	5/2000	Asakura	D12/174
D437,271	S *	2/2001	Saleen	D12/174
D444,436	S *	7/2001	Saleen	D12/174
D479,167	S *	9/2003	Faust et al.	D12/174

\* cited by examiner

*Primary Examiner* — Melody N Brown

(74) *Attorney, Agent, or Firm* — Gifford, Krass, Sprinkle,  
Anderson & Citkowski, P.C.

(57) **CLAIM**

The ornamental design for a car brake/clutch pedal, as shown and described.

**DESCRIPTION**

FIG. 1 is a perspective view of the car brake/clutch pedal according to the present invention;

FIG. 2 is a front elevational view thereof;

FIG. 3 is a rear elevational view thereof;

FIG. 4 is a bottom view thereof;

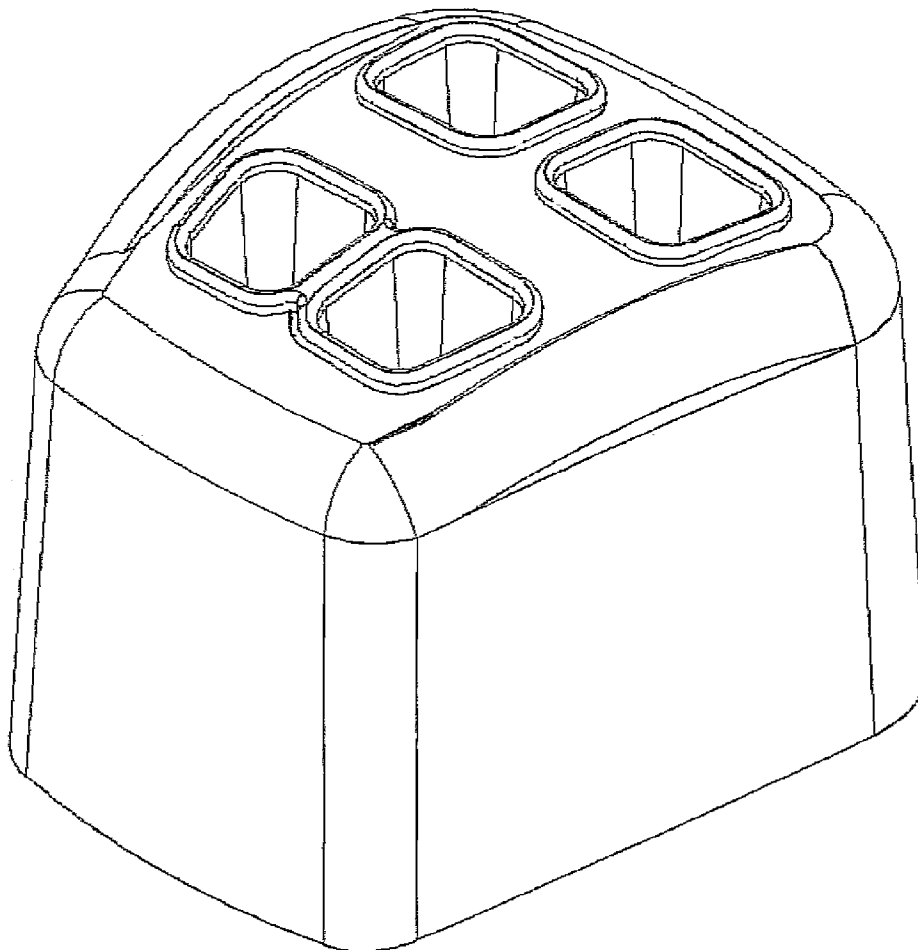
FIG. 5 is a top view thereof;

FIG. 6 is a side view thereof; and,

FIG. 7 is an opposite side view thereof.

The broken line showing the location of apertures is for purposes of illustrating environment and forms no part of the claimed design.

**1 Claim, 6 Drawing Sheets**



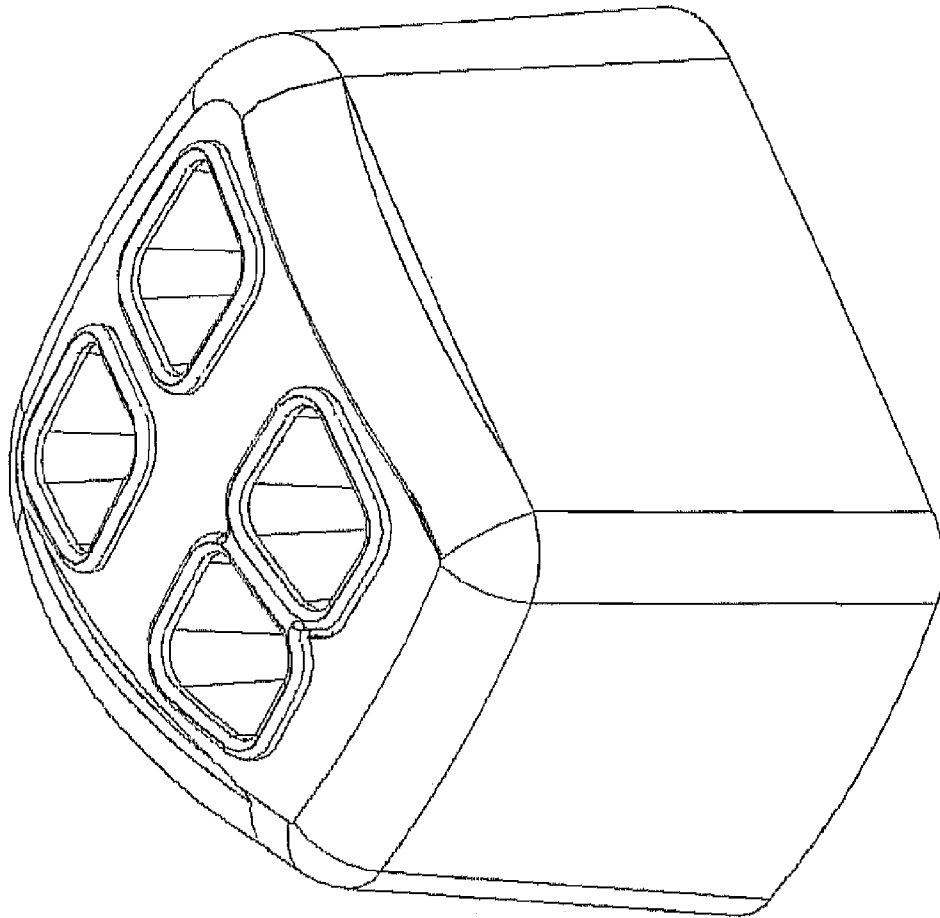


Fig-1

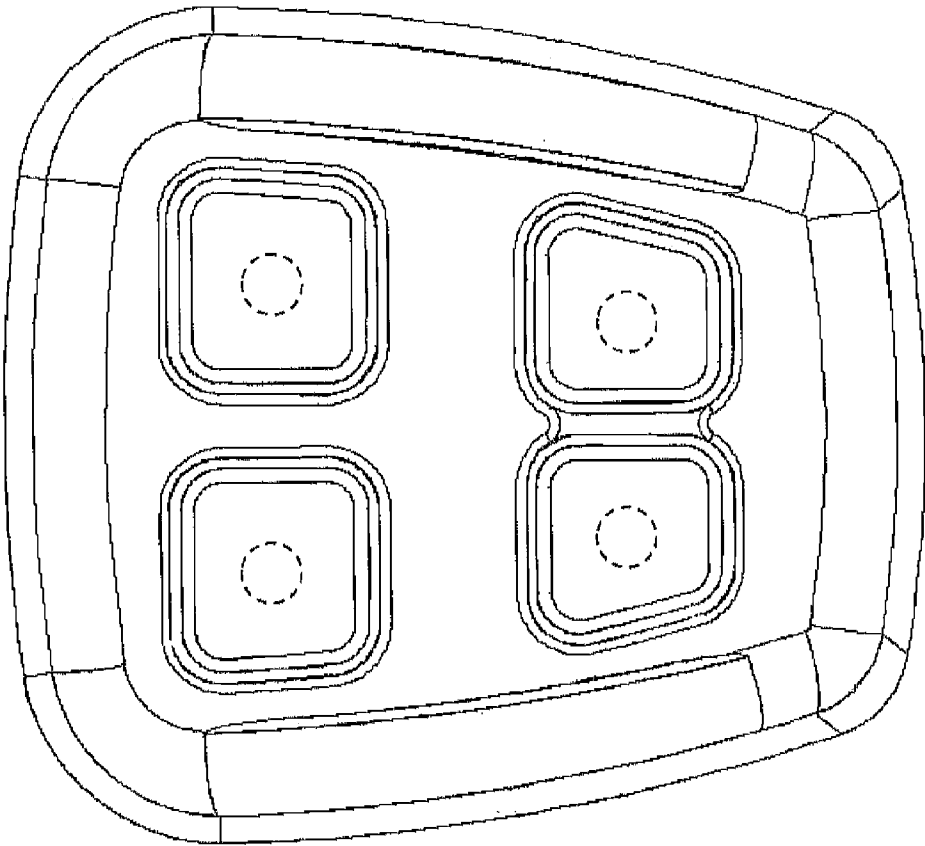


Fig-2

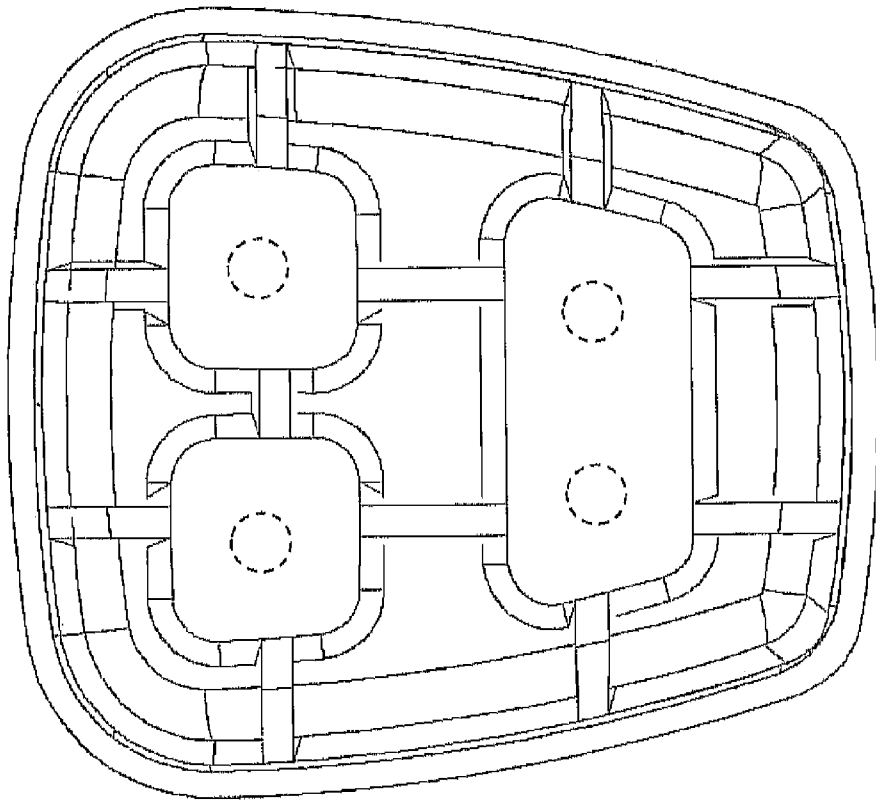


Fig-3

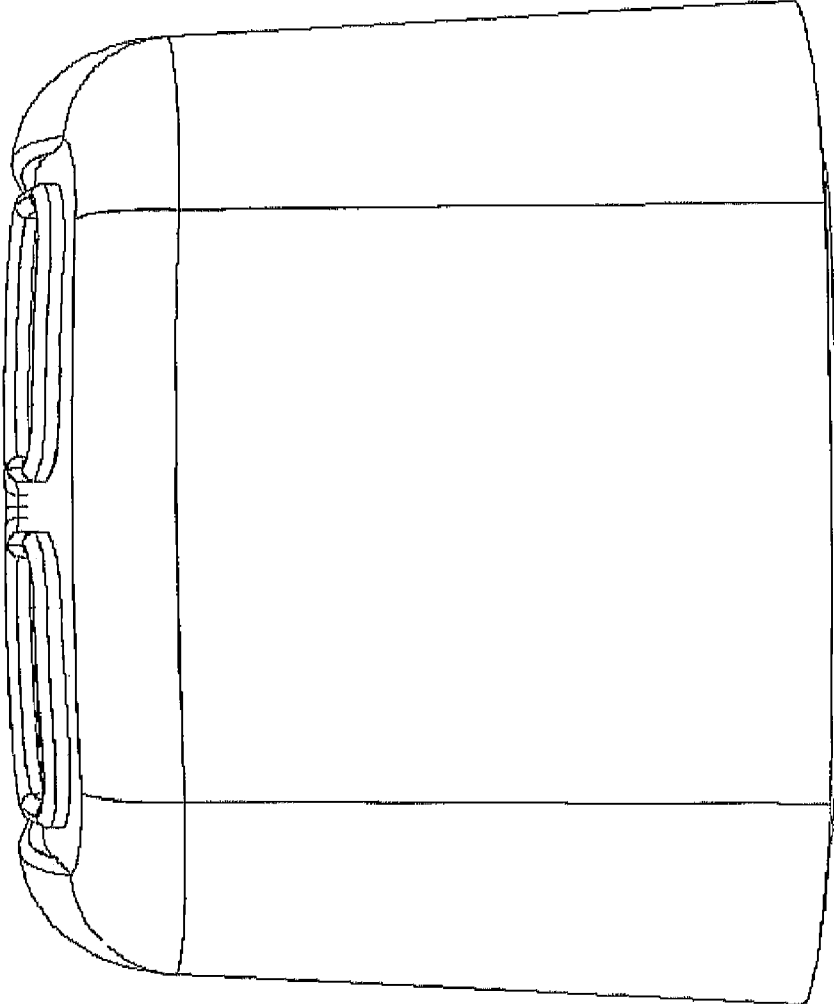


Fig-4

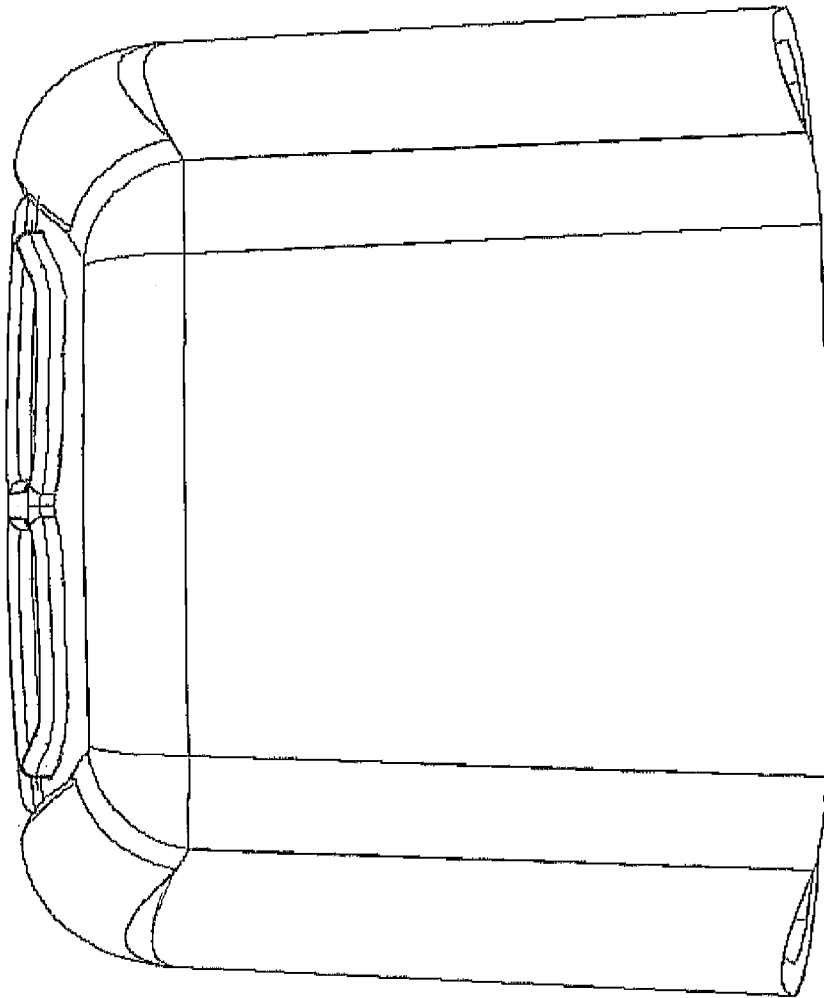


Fig-5

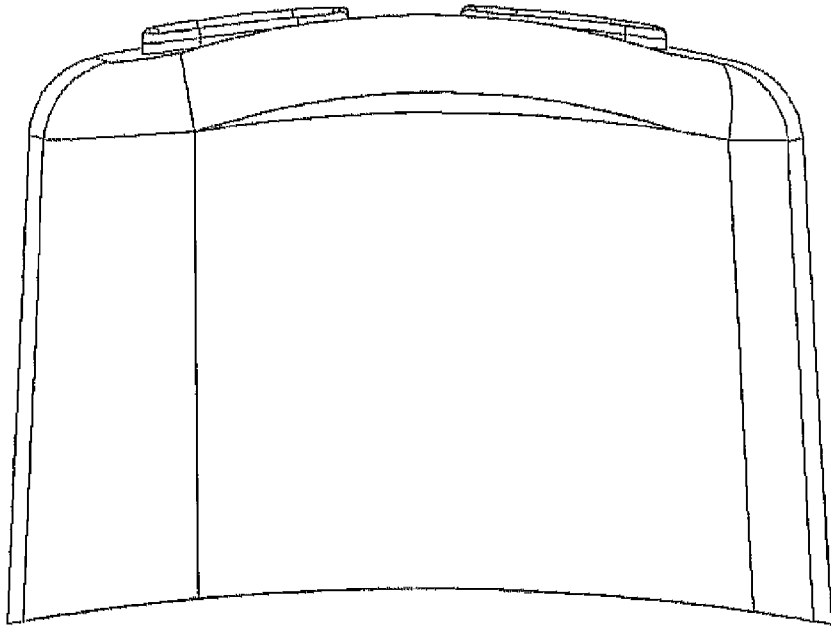


Fig-7

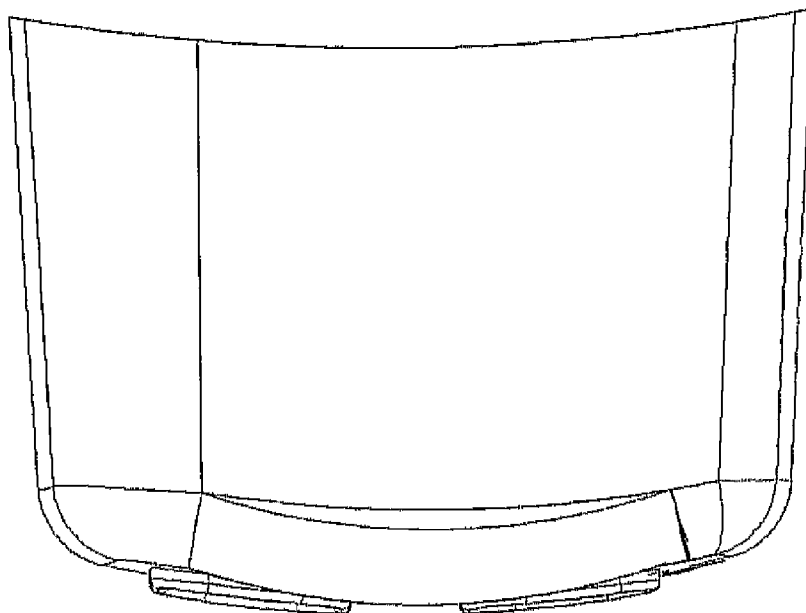


Fig-6