

CORRECTED VERSION

(19) World Intellectual Property Organization
International Bureau



(10) International Publication Number
WO 2012/009571 A8

(43) International Publication Date
19 January 2012 (19.01.2012)

- (51) International Patent Classification: *B62M 9/12* (2006.01) *B62M 3/00* (2006.01)
- (21) International Application Number: PCT/US2011/044067
- (22) International Filing Date: 14 July 2011 (14.07.2011)
- (25) Filing Language: English
- (26) Publication Language: English
- (30) Priority Data: 61/364,506 15 July 2010 (15.07.2010) US
- (71) Applicant (for all designated States except US): UNIVERSITY OF UTAH RESEARCH FOUNDATION [US/US]; 615 Arapeen Drive, Suite 310, Salt Lake City, UT 84108 (US).
- (72) Inventors; and
- (75) Inventors/Applicants (for US only): GHECIU, Liviu, Augustine [US/US]; 682 Windsor Ct., Alpine, UT 84004 (US). O'MELIA, Gerry, F. [US/US]; 2154 East 2700 South, Salt Lake City, UT 84109 (US). WILSON, Benjamin L. [US/US]; 10354 Morgan Boulevard, Cedar Hills, Utah 84062 (US). CAMPENELLA, Michael, E. [US/US]; 1108 3rd Avenue, Salt Lake City, UT 84103 (US). MORRISON, Eric, B. [US/US]; 1999 South 2200 East, Salt Lake City, UT 84108 (US).
- (74) Agents: Paul N. Taylor et al.; Workman Nydegger, 60 East South Temple, 1000 Eagle Gate Tower, Salt Lake City, UT 84111 (US).
- (81) Designated States (unless otherwise indicated, for every kind of national protection available): AE, AG, AL, AM, AO, AT, AU, AZ, BA, BB, BG, BH, BR, BW, BY, BZ, CA, CH, CL, CN, CO, CR, CU, CZ, DE, DK, DM, DO, DZ, EC, EE, EG, ES, FI, GB, GD, GE, GH, GM, GT, HN,

[Continued on next page]

(54) Title: BICYCLE TRANSMISSION

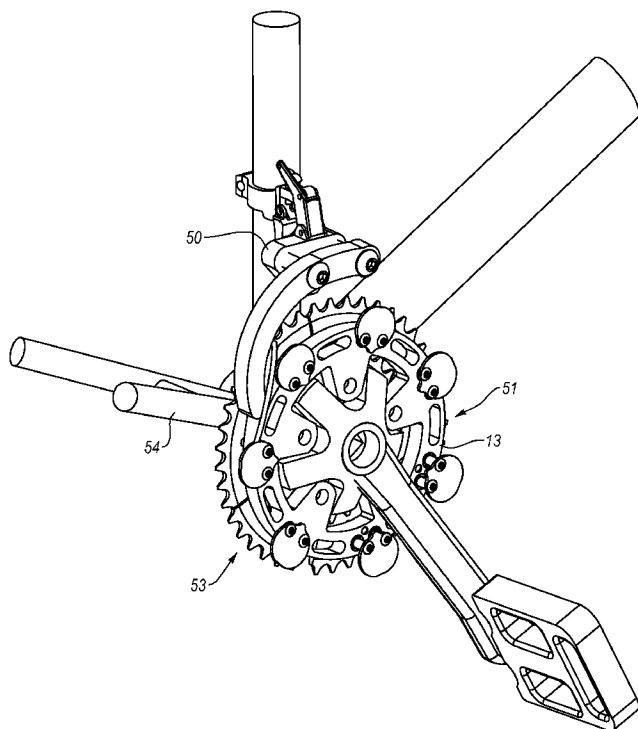


Fig. 1A

(57) Abstract: Embodiments are directed to bicycle drive trains, as well as methods and systems for changing gear ratios within the bicycle drive trains. A bicycle drive train includes a crank assembly, where the crank assembly is configured to rotate about an axis. The crank assembly defines a plane generally transverse to the axis. The crank assembly includes at least one driving gear in the plane that is of a first gear size. The crank assembly is also configured to selectively vary the size of the driving gear in the plane, so that the driving gear changes size while remaining positioned within the plane. The crank assembly may also be configured to include hinged gear segments that, when moved about their hinge, allow gear shifts along the same linear plane.



WO 2012/009571 A8



HR, HU, ID, IL, IN, IS, JP, KE, KG, KM, KN, KP, KR, KZ, LA, LC, LK, LR, LS, LT, LU, LY, MA, MD, ME, MG, MK, MN, MW, MX, MY, MZ, NA, NG, NI, NO, NZ, OM, PE, PG, PH, PL, PT, RO, RS, RU, SC, SD, SE, SG, SK, SL, SM, ST, SV, SY, TH, TJ, TM, TN, TR, TT, TZ, UA, UG, US, UZ, VC, VN, ZA, ZM, ZW.

LV, MC, MK, MT, NL, NO, PL, PT, RO, RS, SE, SI, SK, SM, TR), OAPI (BF, BJ, CF, CG, CI, CM, GA, GN, GQ, GW, ML, MR, NE, SN, TD, TG).

Published:

— with international search report (Art. 21(3))

(84) Designated States (unless otherwise indicated, for every kind of regional protection available): ARIPO (BW, GH, GM, KE, LR, LS, MW, MZ, NA, SD, SL, SZ, TZ, UG, ZM, ZW), Eurasian (AM, AZ, BY, KG, KZ, MD, RU, TJ, TM), European (AL, AT, BE, BG, CH, CY, CZ, DE, DK, EE, ES, FI, FR, GB, GR, HR, HU, IE, IS, IT, LT, LU,

(48) Date of publication of this corrected version:

28 February 2013

(15) Information about Correction:

see Notice of 28 February 2013