



US00D998620S

(12) **United States Design Patent**
Hung

(10) **Patent No.:** **US D998,620 S**
(45) **Date of Patent:** **** Sep. 12, 2023**

(54) **TABLET CASE**

(71) Applicant: **Kin Wai Hung**, Shenzhen (CN)

(72) Inventor: **Kin Wai Hung**, Shenzhen (CN)

(**) Term: **15 Years**

(21) Appl. No.: **29/874,486**

(22) Filed: **Apr. 20, 2023**

(30) **Foreign Application Priority Data**

Apr. 19, 2023 (EM) 015018623-0001

(51) **LOC (14) CL.** **14-02**

(52) **U.S. CL.**
USPC **D14/440**

(58) **Field of Classification Search**
USPC D14/440, 447, 250
CPC ... G06F 1/1628; G06F 1/1626; A47B 23/044;
H04B 1/3888
See application file for complete search history.

(56) **References Cited**

U.S. PATENT DOCUMENTS

D634,314	S	*	3/2011	Fahrendorff	D14/250
D649,144	S	*	11/2011	Fathollahi	D14/250
D685,358	S	*	7/2013	Armstrong	D14/250
D690,292	S	*	9/2013	Bibla	D14/250
D694,759	S	*	12/2013	Chang	D14/440
D715,785	S	*	10/2014	Jacob	D14/250
D721,686	S	*	1/2015	Jacob	D14/250
D742,869	S	*	11/2015	Odhwani	D14/250
D768,123	S	*	10/2016	Armstrong	D14/250
D770,458	S	*	11/2016	Corcoran	D14/440
D772,288	S	*	11/2016	Montes	D14/488
D775,198	S	*	12/2016	Montes	D14/489
D794,626	S	*	8/2017	Armstrong	D14/250
D806,082	S	*	12/2017	Armstrong	D14/440
D825,571	S	*	8/2018	Shannon, III	D14/440
D832,269	S	*	10/2018	Cheng	D14/440
10,148,307	B2	*	12/2018	Shannon, III	G06F 1/1643
D844,621	S	*	4/2019	Chen	D14/440
D851,648	S	*	6/2019	Tan	D14/440

D892,803	S	*	8/2020	Armstrong	D14/440
D928,165	S	*	8/2021	Li	D14/440
D941,297	S	*	1/2022	Wright	D14/440
D965,600	S	*	10/2022	Li	D14/440
D967,107	S		10/2022	Zhao	

(Continued)

OTHER PUBLICATIONS

Suritch Samsung Galaxy Tab S7 FE Case for Tablet S7+ Plus, S8+ Plus, Built-in Screen Protector & S Pen Holder Full Body Shockproof Protective Cover with Foldable Kickstand, White Marble., Amazon.com, Jan. 4, 2023, CinoCase Direct Store, https://www.amazon.com/Case-Protector-Shockproof-Protective-Kickstand/dp/B0BRMW8CKT/ref=sr_1_3?crd=4S77DXNUYZ05&keywords=suritch%2Bs8%2B%2Bcase&qid=1680834181&sprefix=suritch%2Bs8%2B%2Bcas%2Caps%2C305&sr=8-3&th=1.

Primary Examiner — Cynthia R Underwood
(74) *Attorney, Agent, or Firm* — Zhigang Ma

(57) **CLAIM**

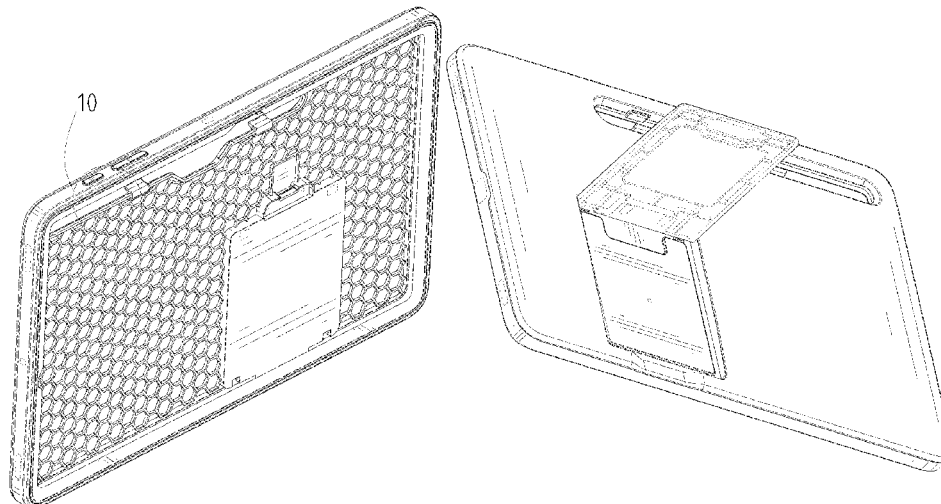
The ornamental design for a tablet case, as shown and described.

DESCRIPTION

FIG. 1 is a first perspective view of a tablet case showing my new design;
FIG. 2 is a second perspective view thereof;
FIG. 3 is a front view thereof;
FIG. 4 is a back view thereof;
FIG. 5 is a left side view thereof;
FIG. 6 is a right side view thereof;
FIG. 7 is a top view thereof;
FIG. 8 is a bottom view thereof;
FIG. 9 is a perspective view of another state of the tablet case thereof; and,
FIG. 10 is an enlarged view of the selected portion 10 in FIG. 1.

The broken lines shown in the drawings depict portions of the tablet case that form no part of the claimed design.

1 Claim, 10 Drawing Sheets



(56)

References Cited

U.S. PATENT DOCUMENTS

D967,116	S	10/2022	Sun	
D967,831	S	10/2022	Zeng	
D972,571	S *	12/2022	Xu	D14/440
D973,667	S *	12/2022	Ma	D14/440
D980,225	S *	3/2023	Cheng	D14/440

* cited by examiner

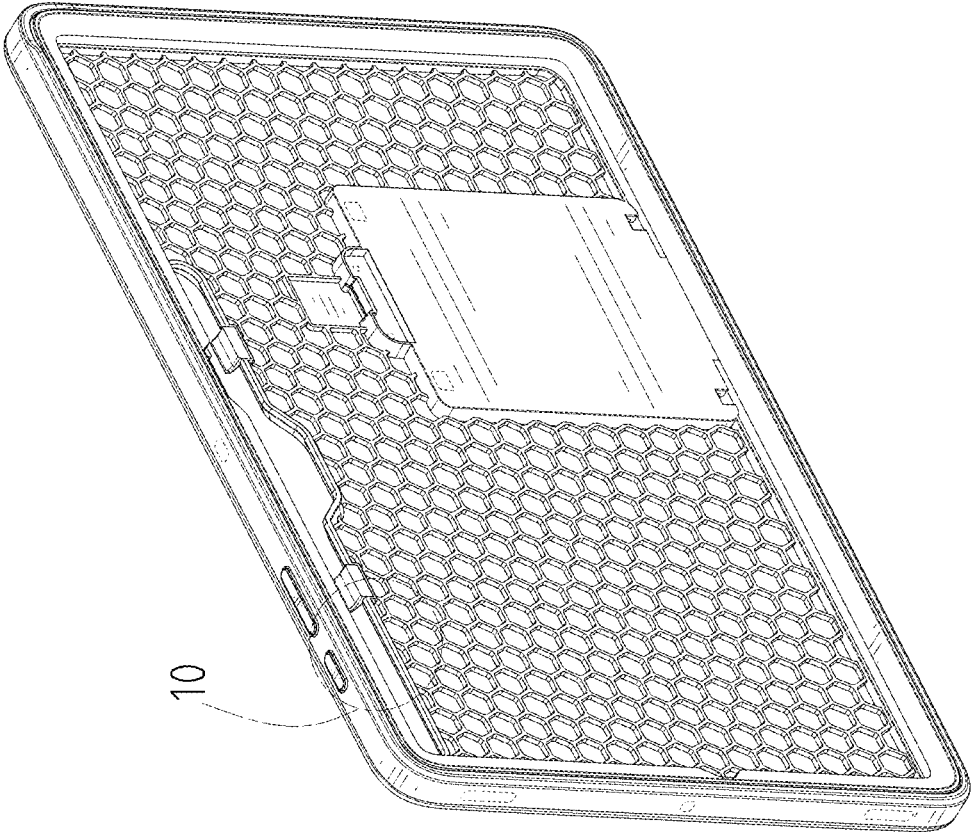


FIG. 1

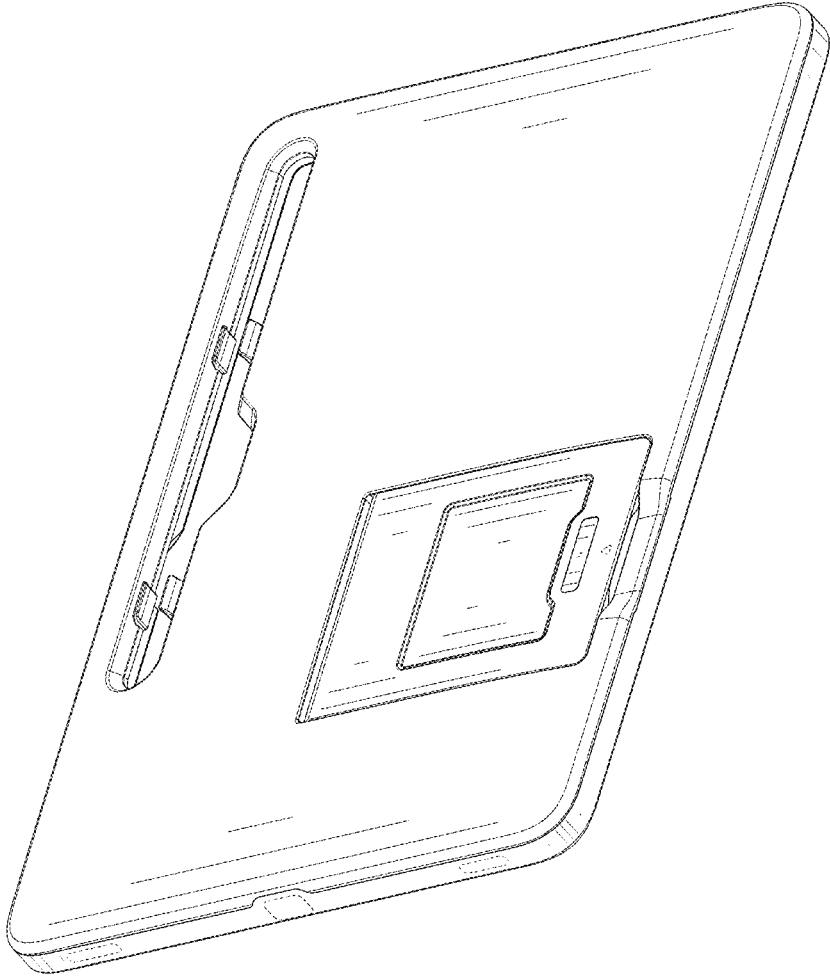


FIG. 2

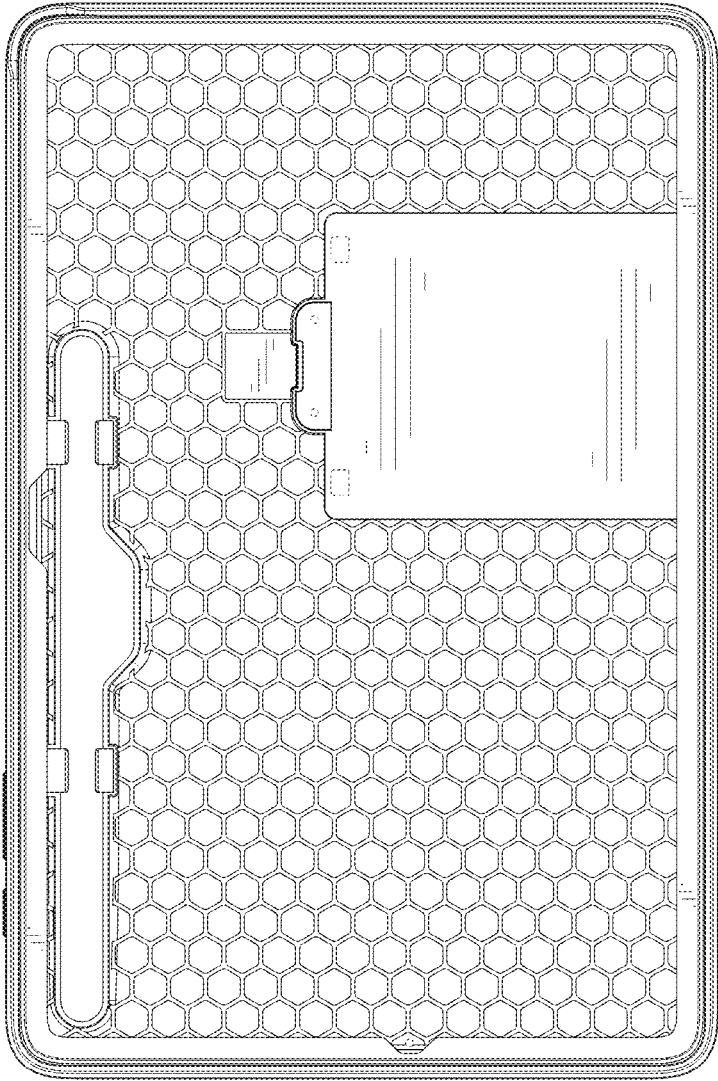


FIG. 3

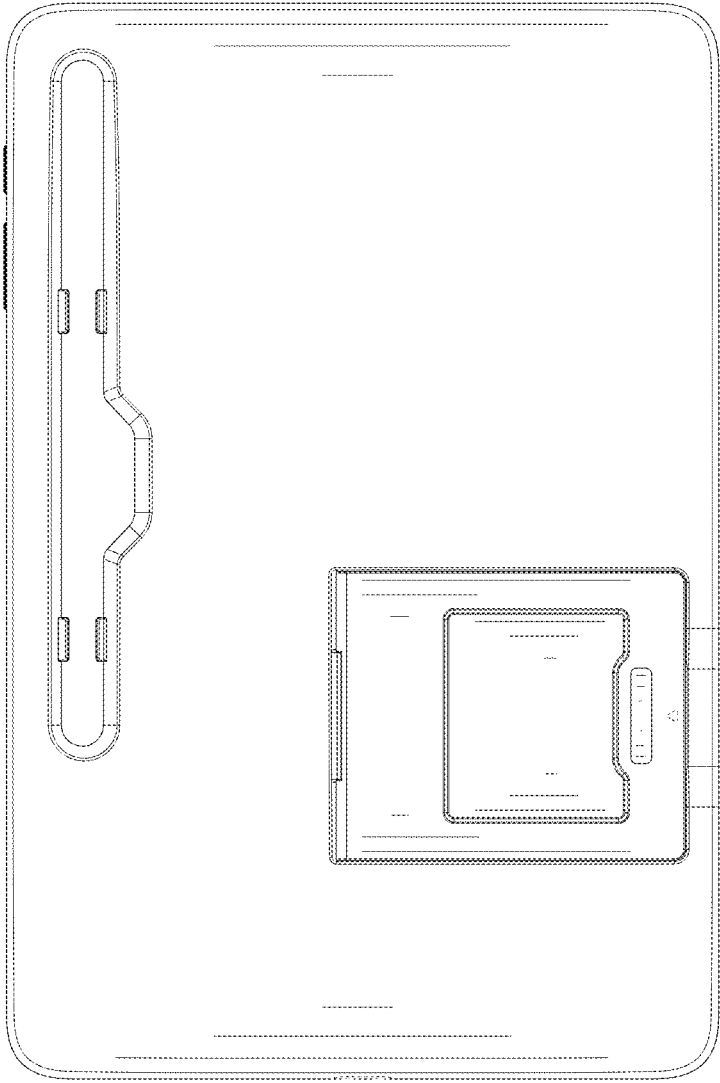


FIG. 4



FIG. 5



FIG. 6



FIG. 7

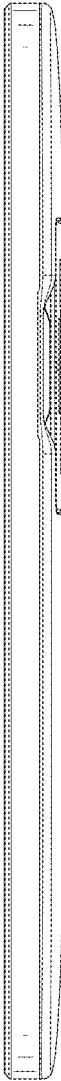


FIG. 8

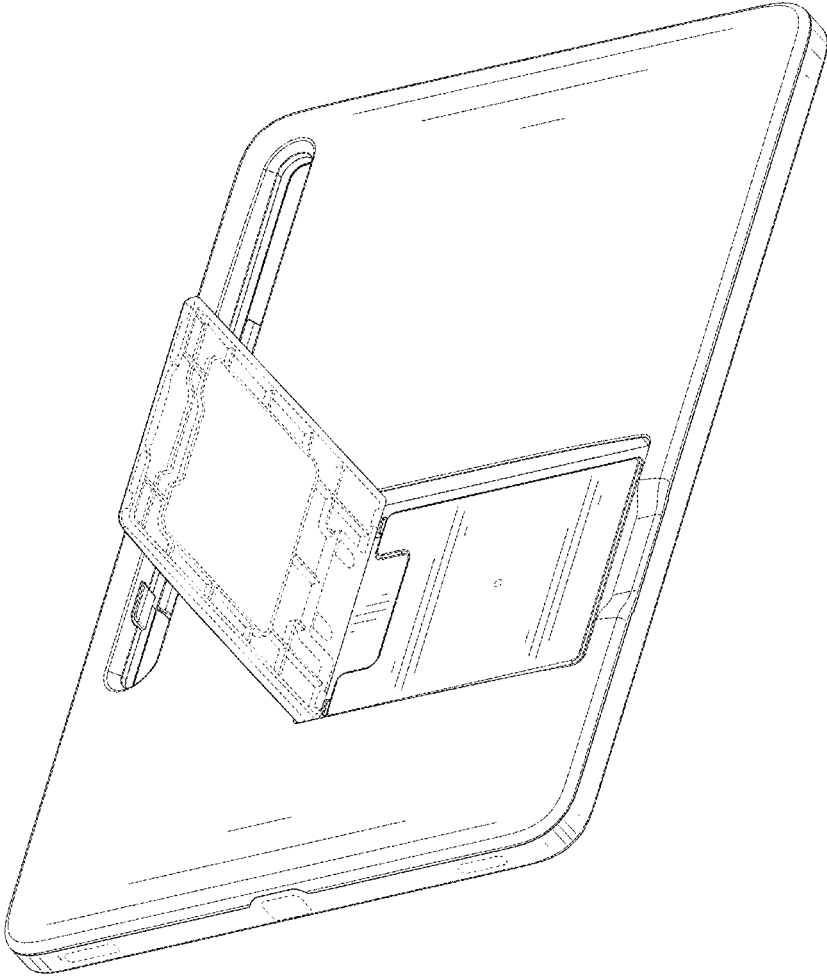


FIG. 9

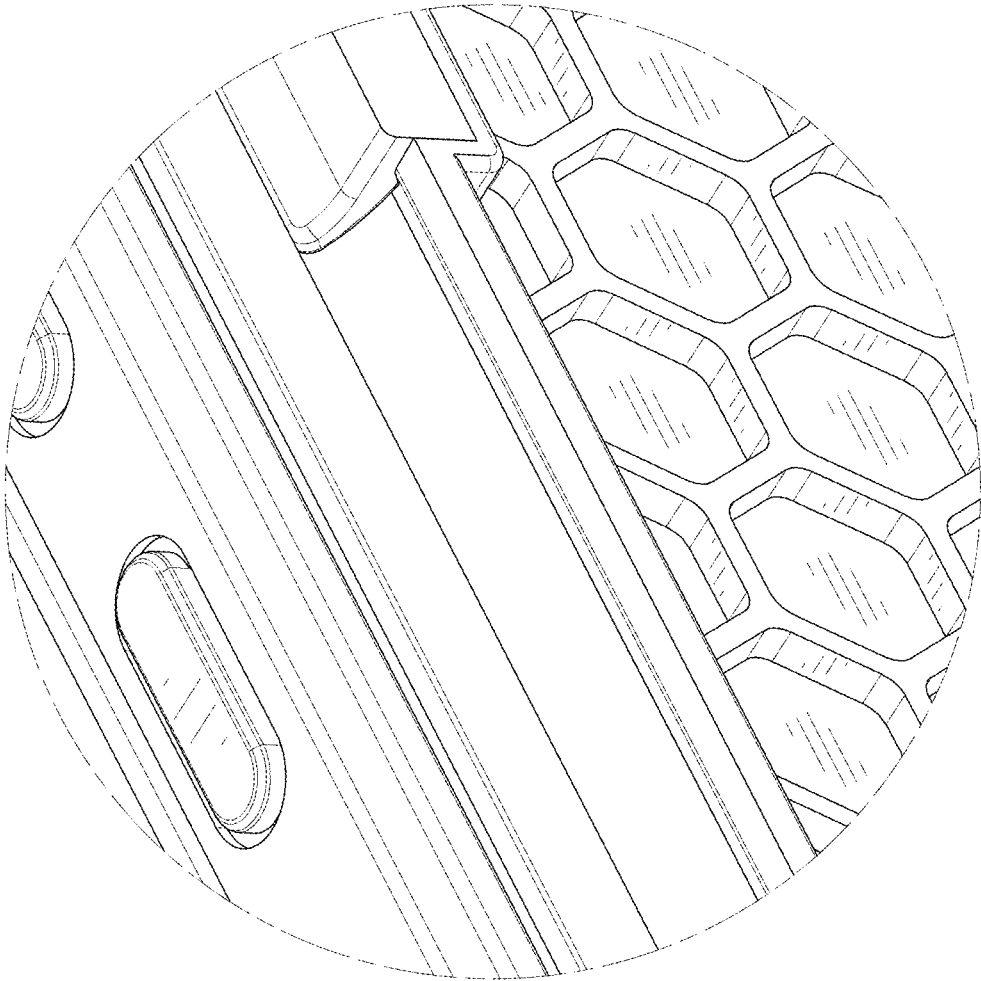


FIG. 10