

(19)
(12)

(KR)
(B1)

(51) 。 Int. Cl.⁷
G06F 1/26

(45)
(11)
(24)

2004 06 02
10-0433397
2004 05 18

(21) 10-2001-0072469
(22) 2001 11 20

(65)
(43)

10-2003-0042056
2003 05 28

(73) 416

(72) 2 338-624

(74)
:

(54)

가

가가

가

가

가

4

, PCMCIA, CF,

- 1 PCMCIA/CF
- 2 CF
- 3 PCMCIA
- 4

5		CF	
6		PCMCIA	
7		1	PCMCIA/CF
8	7	PCMCIA/CF	
9	7		
10		2	PCMCIA/CF
11	10	PCMCIA/CF	
12	10	I/O	
13		2	PCMCIA/CF

* . *

12, 110, 310: 14, 130, 330:
 20, 200, 400, 600: PCMCIA/CF
 30, 200-C: CF 32, 42, 230-C, 230-P:
 40, 200-P: PCMCIA 100, 300, 500:
 120, 320: 200: , PCMCIA/CF
 210, 210-C, 210-P, 410, 610:
 220-C, 220-P, 420:
 220: 230, 440, 640:
 430: I/O 620:
 630:

PCMCIA(Personal Computer Memory Card International, ;PC CARD Standard, PCMCIA Spec 2.1)
 CF(Compact Flash, CF Spec 1.4)

(specification)

(specification)

1 PC (20)
 PCMCIA/CF (GND)
 (10) (12) (VCC) PCMCIA/CF (14) (read)/
 PCMCIA/CF (20) PCMCIA/CF (20) , PCMCIA
 (write) (10) PCMCIA/CF (20) CF
 /CF (20) 3 PCMCIA (frame)
 A/CF (20) PCMCIA/CF (20) PCMCIA
 , PDA(Personal digital Asistant) PCMCIA/CF (20)
 PCMCIA/CF (20) PDA 가
 PDA 가 가 가
 가 가 가 가

가

가

가

가

가

가

가

가

가

가

가

가

가

가

가가

가

가

가

4

(100)

(100)

(110)
(200)

(VCC)

(100)
(GND)

(200)

(110)

(200)

(120)

5
(200-C)

(frame)
(210-C)가

(220-C)

(100)

(210-C)

CF

(200-C)
가

(220-C)

(110)

(230-C)

CF

6
PCMCIA

(200-P)
가

220-P)

(210-P)

(210-P)

CF

PCMCIA
(200-C)

(100)

(200-P)
가

가

(210-P)가

(230-P)

10 (400) 2 (300) PCMCIA/CF (400) PCMCIA/CF (400), 가

(300) PCMCIA/CF (400) (420), (300) (410) (420)

(300) I/O (430) (430) PCMCIA/CF (400) (410)

(300) I/O (430) (300) (300) (420) (310), (320)

(300) 7 가 (300) (330) PCMCIA/CF (200) I/O PCMCIA/CF (400)가

PCMCIA/CF (400) (330) PCMCIA/CF (400) I/O PCMCIA/CF (430) (320)

(410) (310) PCMCIA/CF (400) (410)가 (320)

(420) , PCMCIA/CF (400) (410)가

11 10 PCMCIA/CF (330) PCMCIA/CF (400)가 (S310), PCMCIA/CF (400) PCMCIA/CF (400)

(330) , PCMCIA/CF (400)가 (S320). PCMCIA/CF (400)가 (410) PCMCIA/CF (400) I/O (430)

400 (S330), 가 (S340), PCMCIA/CF (400) PCMCIA/CF (400) (300)

(S350). PCMCIA/CF (400) PCMCIA/CF (400) (310) PCMCIA/CF (400) (310)가

(S360). , PCMCIA/CF (400) (320) (320) (310)가

PCMCIA/CF (400) (320) (310)

() (300)

PCMCIA/CF (400)가 PCMCIA/CF , PCMCIA/CF (330)

PCMCIA/CF PCMCIA/CF (S380).

PCMCIA/CF (400) 가

(S370). PCMCIA/CF (400) 가 PCMCIA/CF (400) PCMCIA/CF (400) (410)

PCMCIA/CF (330) PCMCIA/CF (400) I/O (430)

12 10 PCMCIA/CF (400) I/O (330) I/O (400) (4)

30 (400)가 (S420), (410) PCMCIA/CF (S410). PCMCIA/CF (400)

(300) (420)가 (S430), (300)

(S460), (S450). , (300) (420)가

(S470).

13 3 PCMCIA/CF (600) PCMCIA/CF (600)

(600) (500) (610), (6

10) PCMCIA/CF (600) (620) (620) 가

(620) (610) (620)

(630)가 PCMCIA/CF (600) ()

, 3.3V 5V (630) 3.3V/5V (620) 3.3V 5V

가 가

가 가

가

(57)

1.

;

가

2.

1

3.

1

4.

5.

1

6.

5

7.

6

8.

9.

1

가

가

10.

1

가

11.

10

12.

가

가

13.

12

가

가

가
14.

13

가

15.

12

가

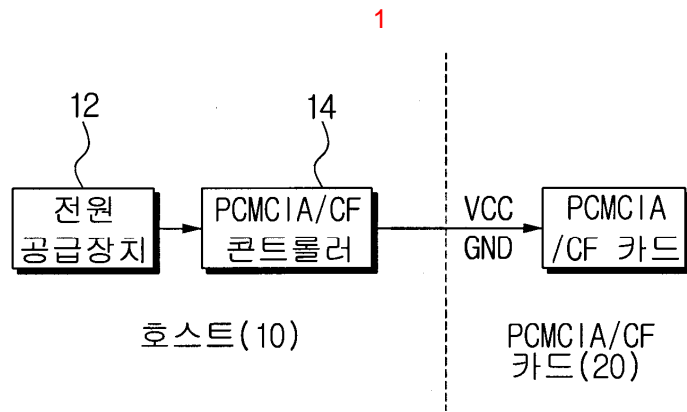
가
가

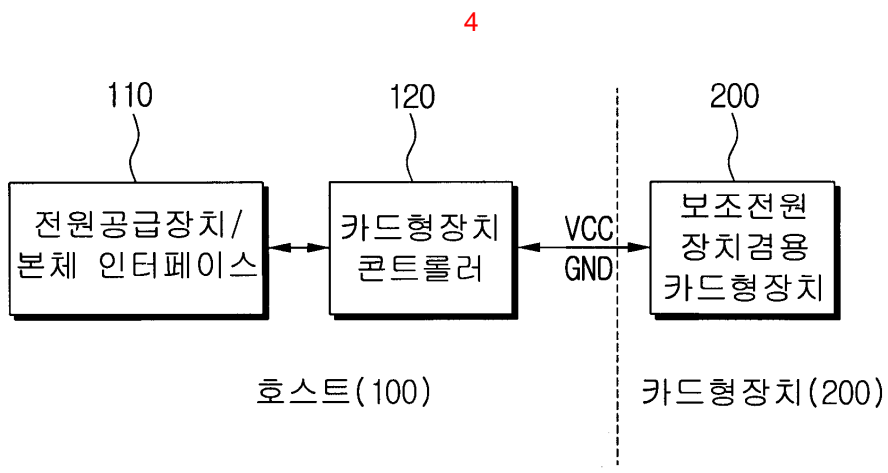
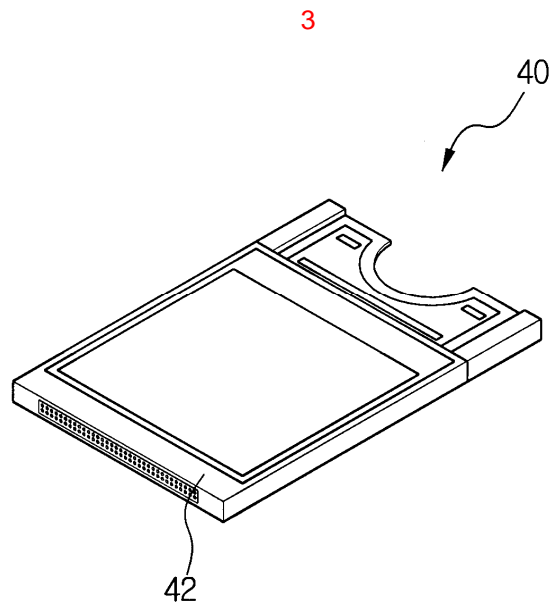
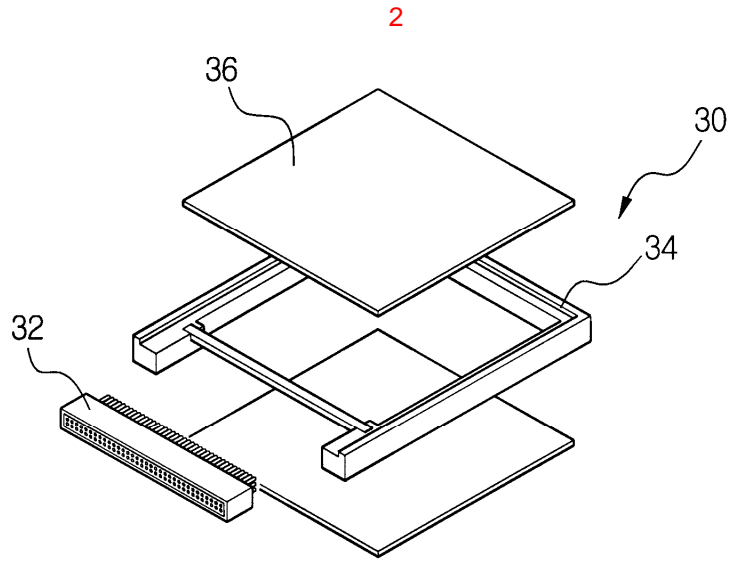
16.

12

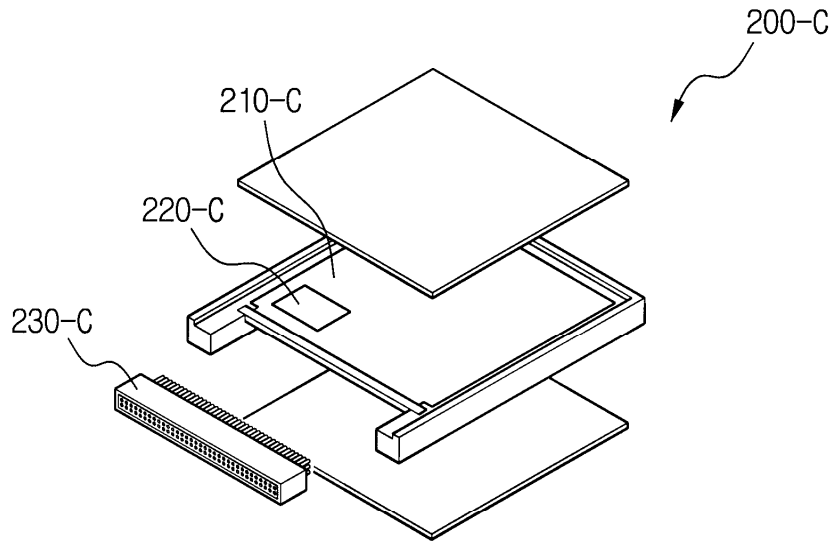
가

가

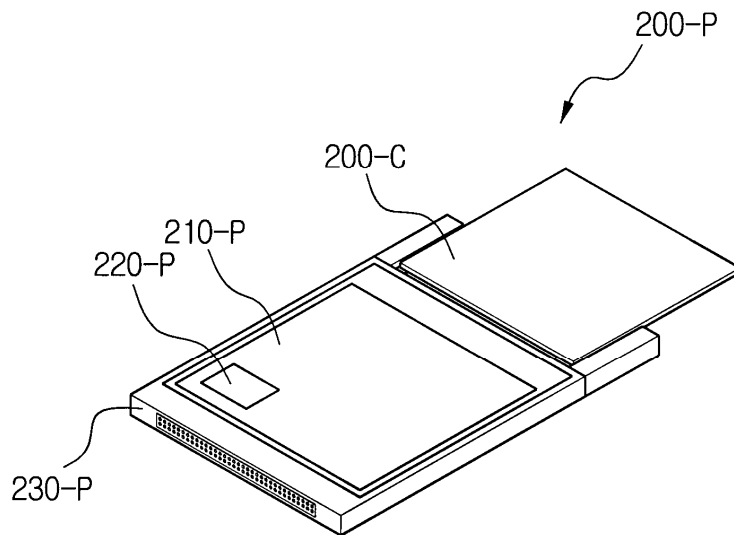




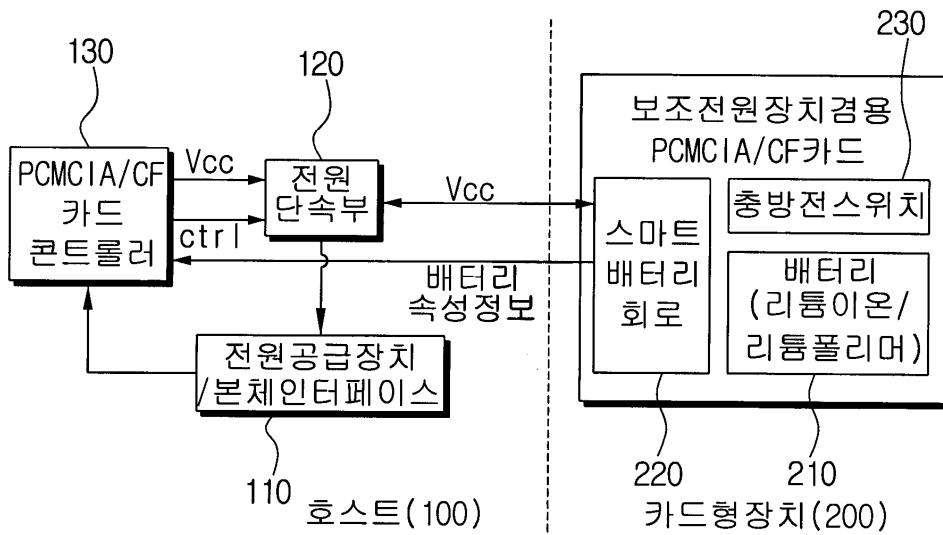
5

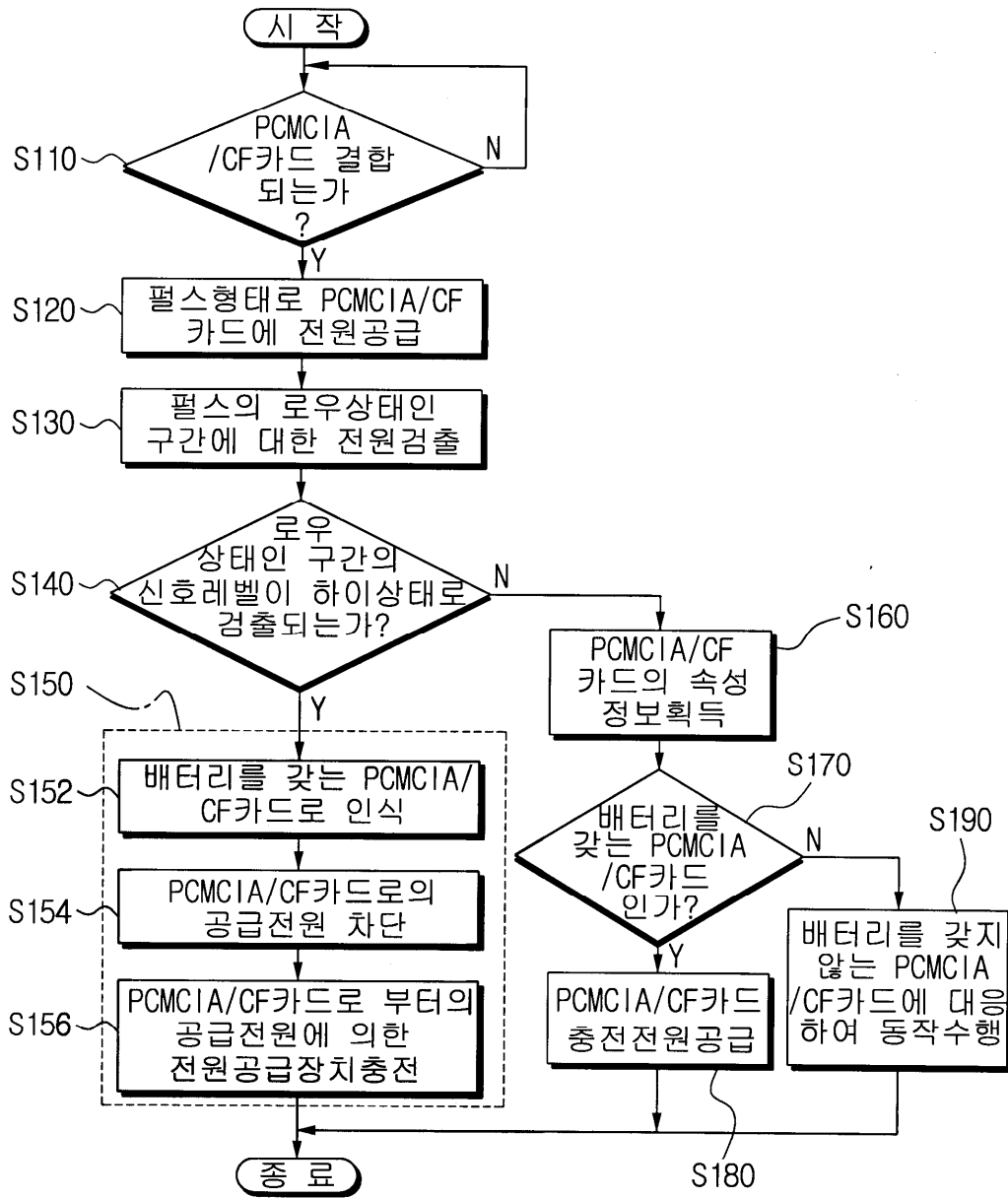


6

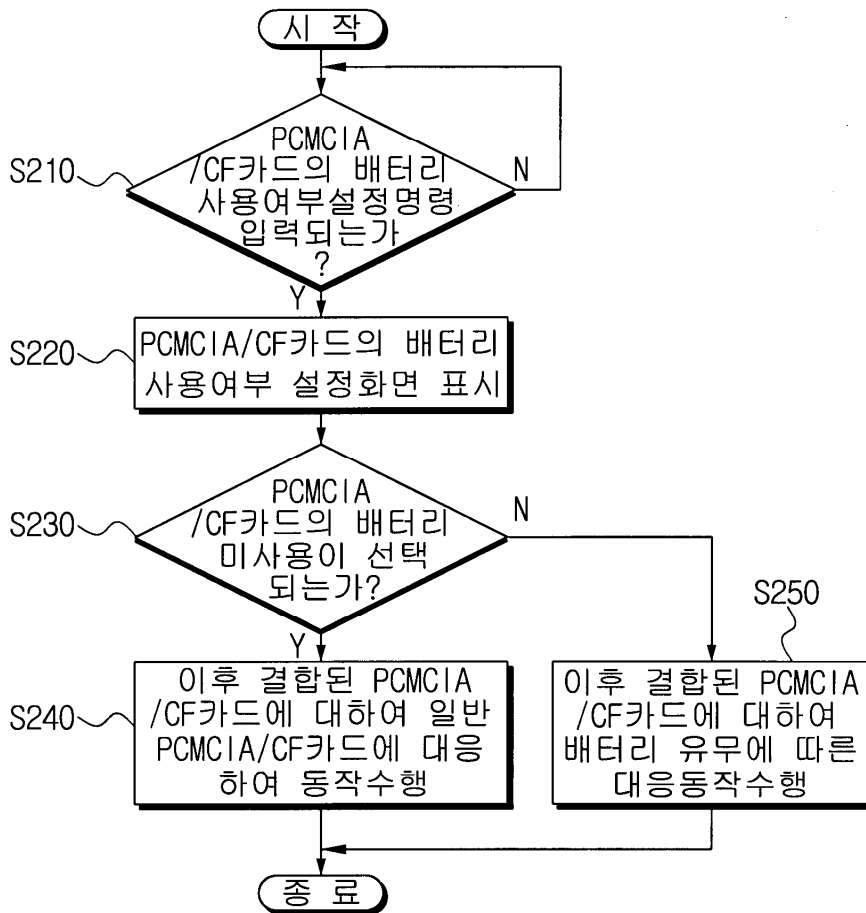


7

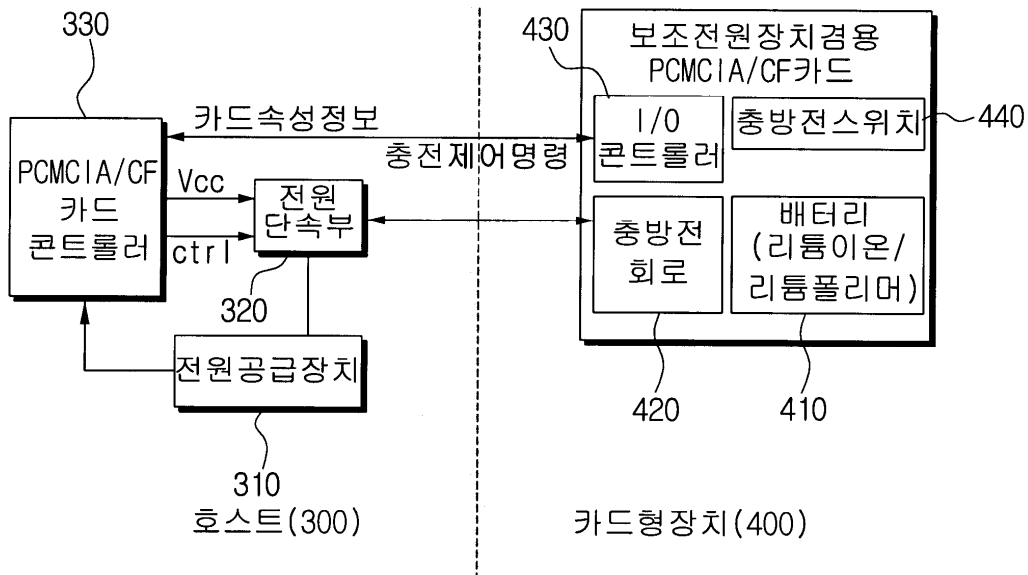




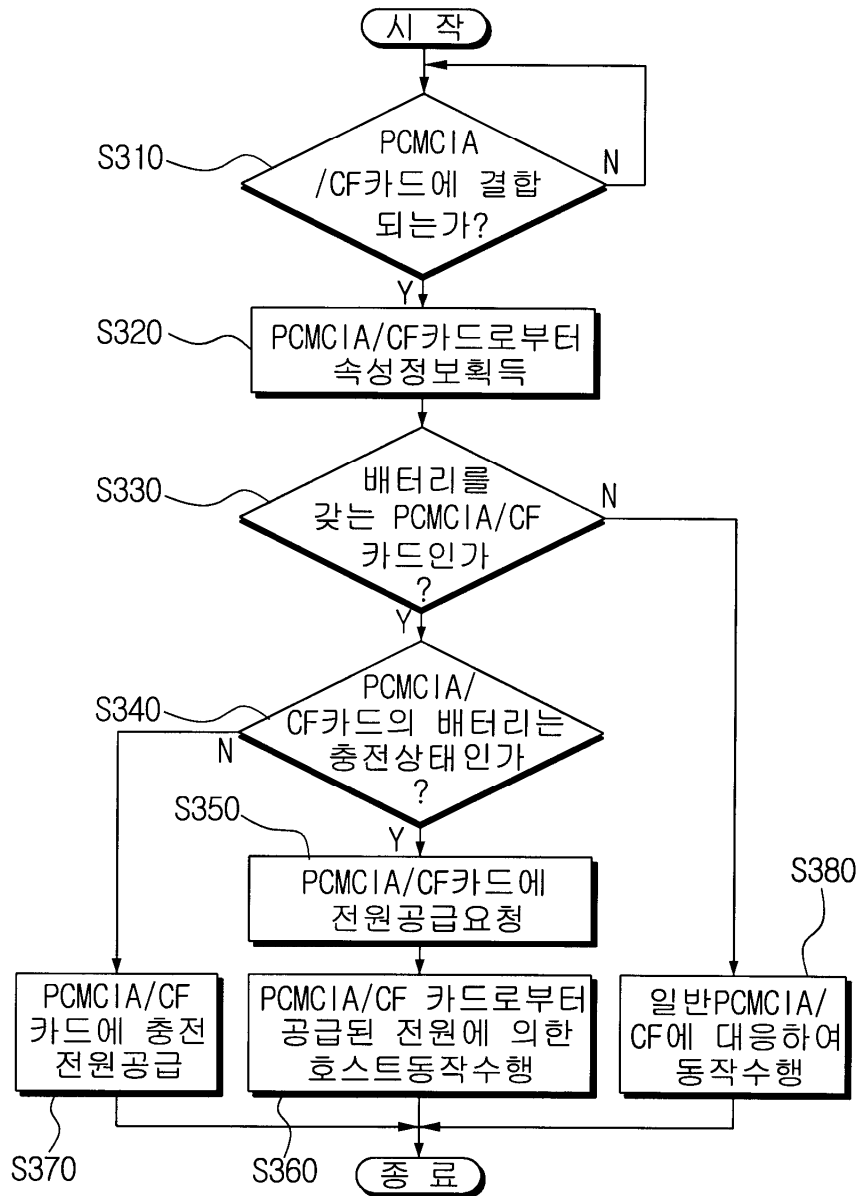
9



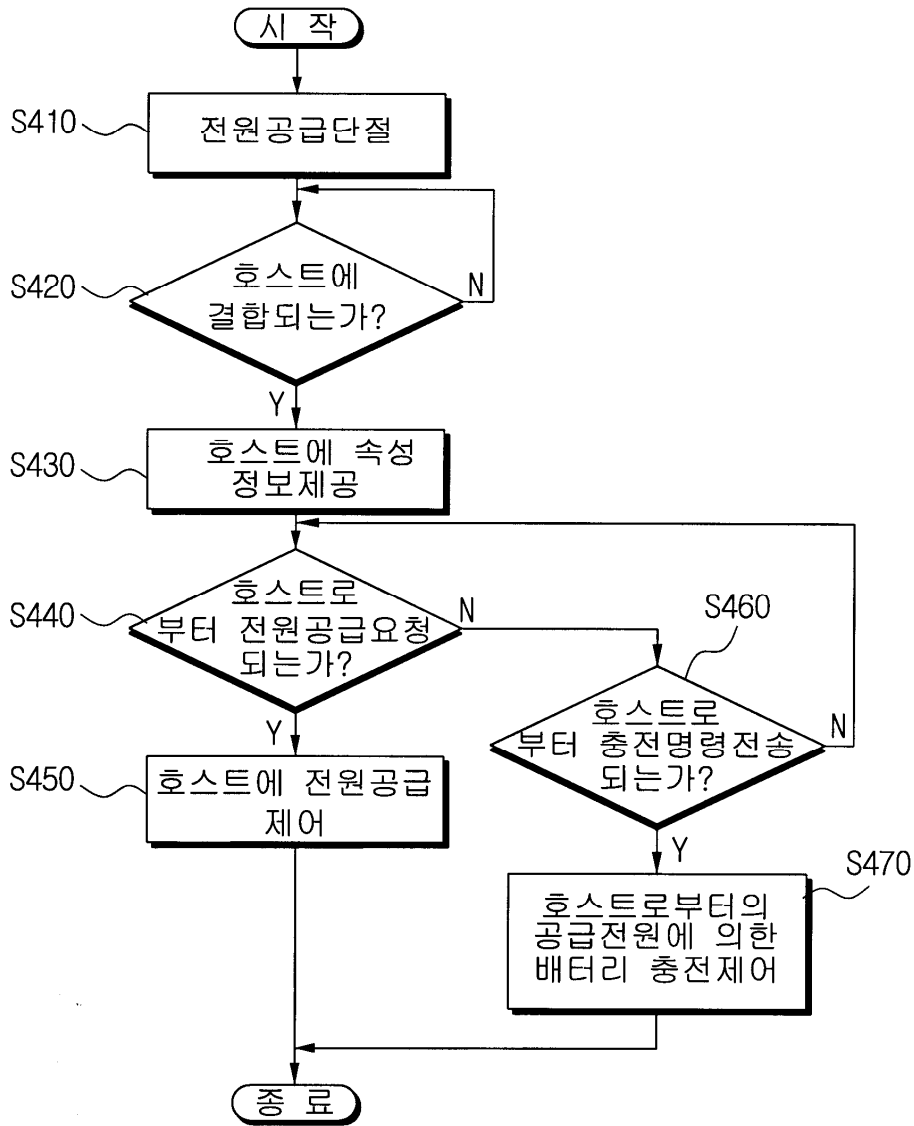
10



11



12



13

