



US00D723671S

(12) **United States Design Patent**
Brochu

(10) **Patent No.:** **US D723,671 S**

(45) **Date of Patent:** **** Mar. 3, 2015**

(54) **COVER SUPPORT FOR EAVESTROUGH**

(71) Applicant: **Stephane Brochu, St-Romuald (CA)**

(72) Inventor: **Stephane Brochu, St-Romuald (CA)**

(**) Term: **14 Years**

(21) Appl. No.: **29/442,255**

(22) Filed: **Jan. 16, 2013**

(51) **LOC (10) Cl.** **23-01**

(52) **U.S. Cl.**
USPC **D23/267**

(58) **Field of Classification Search**
USPC D23/267; 52/11, 12, 16, 58; 210/162;
248/48.1, 48.2

See application file for complete search history.

(56) **References Cited**

U.S. PATENT DOCUMENTS

2,288,121	A *	6/1942	Sandmeyer et al.	52/12
4,553,356	A *	11/1985	Pepper	52/11
D377,389	S *	1/1997	Phillips et al.	D23/261
5,640,809	A *	6/1997	Iannelli	52/12
D417,264	S *	11/1999	Beth	D23/261
D466,596	S *	12/2002	Stegmeier et al.	D23/267
D551,740	S *	9/2007	Riley	D23/267
D558,309	S *	12/2007	Gregg	D23/267
D621,481	S *	8/2010	Wootton	D23/261
D672,015	S *	12/2012	Luke	D23/261
2005/0145560	A1 *	7/2005	Jones	210/459
2005/0166465	A1 *	8/2005	Banks et al.	52/11
2006/0123710	A1 *	6/2006	Lenney et al.	52/12
2007/0199249	A1 *	8/2007	Beck et al.	52/12
2008/0000169	A1 *	1/2008	Handley	52/12
2008/0141595	A1 *	6/2008	Lawler	52/15

2008/0190039	A1 *	8/2008	Brochu	52/12
2009/0019786	A1 *	1/2009	Bachman	52/12
2009/0090067	A1 *	4/2009	Demartini	52/12
2009/0103982	A1 *	4/2009	Hodgekins et al.	405/118
2009/0188173	A1 *	7/2009	Ealer, Sr.	52/12
2009/0288349	A1 *	11/2009	Wootton	52/12

* cited by examiner

Primary Examiner — Eric Goodman

Assistant Examiner — Daniel J Domino

(74) *Attorney, Agent, or Firm* — Eric Fincham

(57) **CLAIM**

The ornamental design for a cover support for eavestrough, as shown and described.

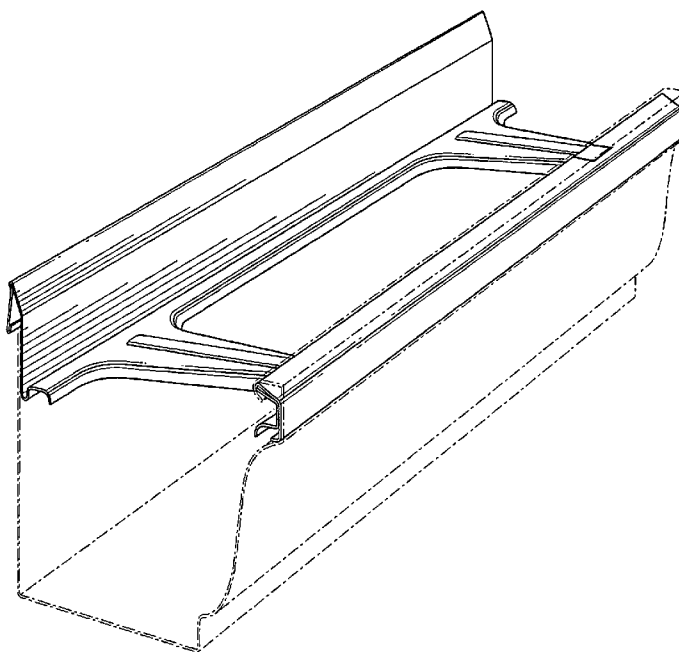
DESCRIPTION

FIG. 1 is a perspective view of a cover support for eavestrough;
 FIG. 2 is a side elevational view thereof as seen from the right hand side of FIG. 1;
 FIG. 3 is an end elevational view thereof;
 FIG. 4 is a side elevational view as seen from the left hand side of FIG. 1;
 FIG. 5 is a partial bottom plan view thereof; and,
 FIG. 6 is a partial top plan view thereof.

The broken lines shown in the figures are for the purpose of illustrating environment only and form no part of the claimed design.

The cover support for eavestrough is shown with a symbolic break in its length. The appearance of any portion of the article between the break lines forms no part of the claimed design.

1 Claim, 3 Drawing Sheets



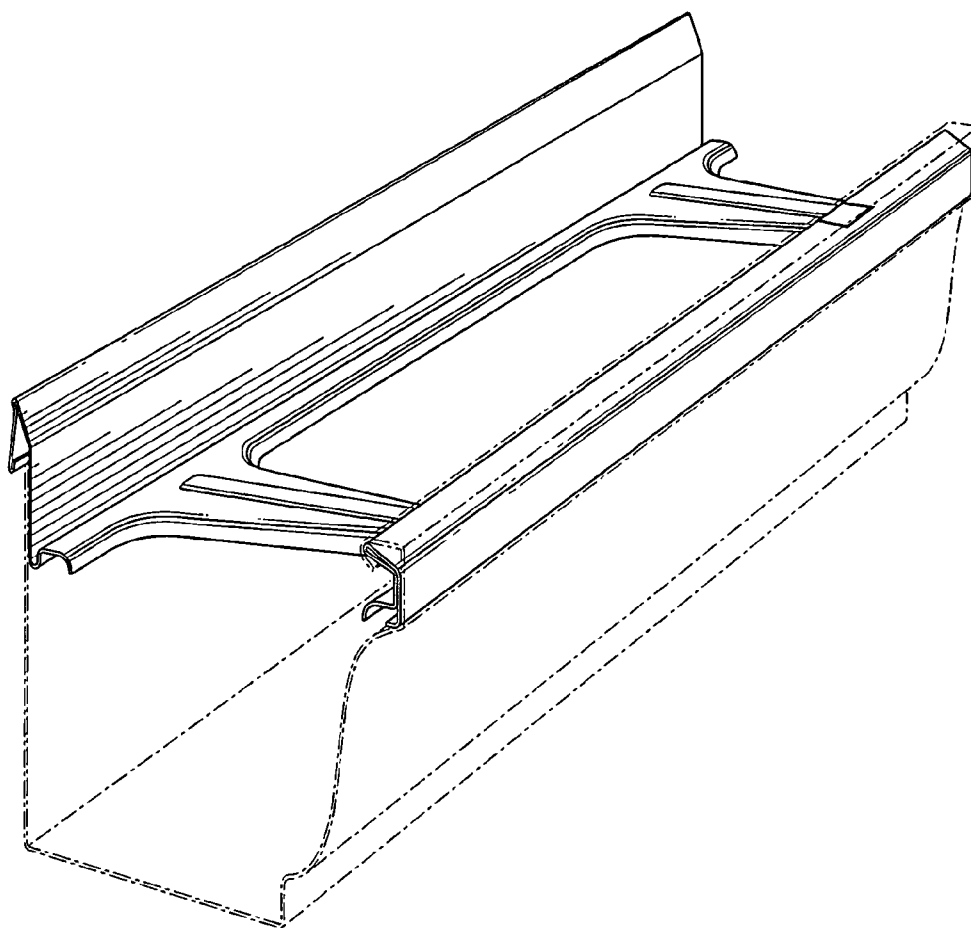


FIG. 1

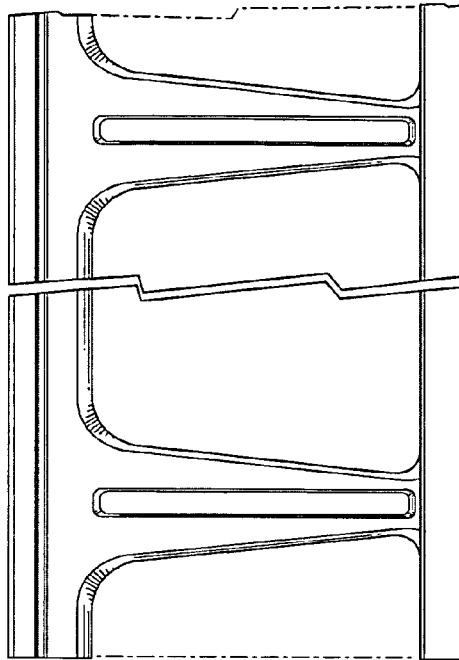


FIG. 5

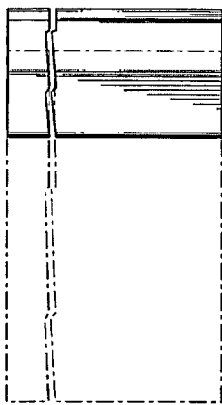


FIG. 2

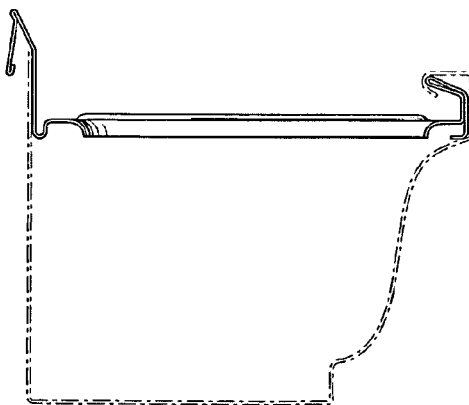


FIG. 3

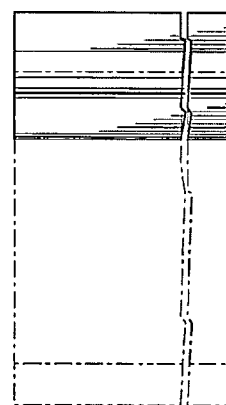


FIG. 4

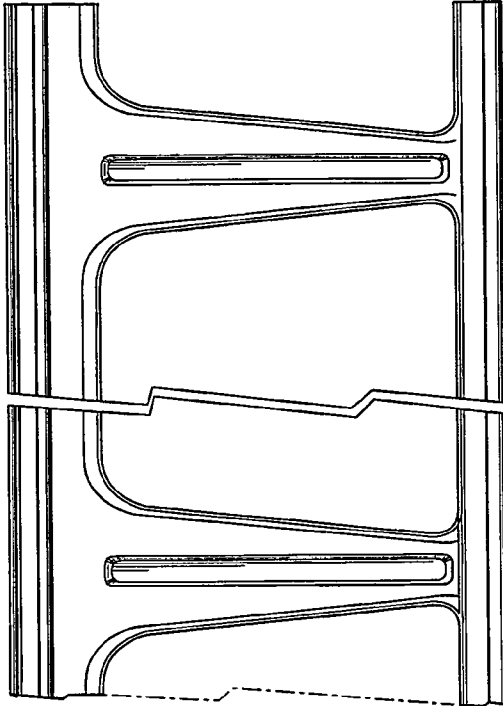


FIG. 6