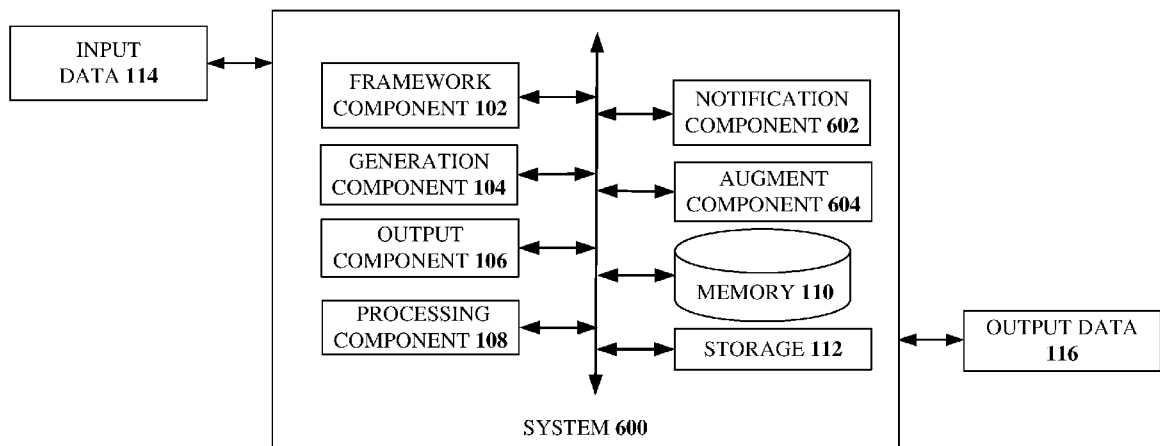




- (51) **International Patent Classification:**  
G06F 9/455 (2006.01) G06F 9/46 (2006.01)
- (21) **International Application Number:**  
PCT/IB2018/058785
- (22) **International Filing Date:**  
08 November 2018 (08.11.2018)
- (25) **Filing Language:** English
- (26) **Publication Language:** English
- (30) **Priority Data:**  
15/813,437 15 November 2017 (15.11.2017) US
- (71) **Applicant: INTERNATIONAL BUSINESS MACHINES CORPORATION** [US/US]; New Orchard Road, Armonk, New York 10504 (US).
- (71) **Applicants (for MG only): IBM UNITED KINGDOM LIMITED** [GB/GB]; PO Box 41, North Harbour, Portsmouth Hampshire PO6 3AU (GB). **IBM (CHINA) INVESTMENT COMPANY LIMITED** [CN/CN]; 25/F, Pangu Plaza, No. 27, Central North 4th Ring Road, Chaoyang District, Beijing 100101 (CN).

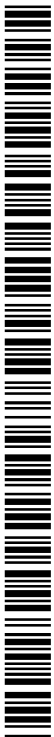
- (72) **Inventors: NADGOWDA, Shripad;** IBM Corporation, PO Box 218, 1101 Kitchawan Rd, Yorktown Heights, New York 10598 (US). **BAL, Mustafa;** IBM Corporation, Intellectual Property Law, 1101 Kitchawan Road, Route 134, PO Box 218, Yorktown Heights, New York 10598 (US). **ISCI, Canturk;** IBM Corporation, Intellectual Property Law, 1101 Kitchawan Road, Route 134, PO Box 218, Yorktown Heights, New York 10598 (US).
- (74) **Agent: SHAW, Anita;** IBM United Kingdom Limited, Intellectual Property Law, Hursley Park, Winchester Hampshire SO21 2JN (GB).
- (81) **Designated States** (unless otherwise indicated, for every kind of national protection available): AE, AG, AL, AM, AO, AT, AU, AZ, BA, BB, BG, BH, BN, BR, BW, BY, BZ, CA, CH, CL, CN, CO, CR, CU, CZ, DE, DJ, DK, DM, DO, DZ, EC, EE, EG, ES, FI, GB, GD, GE, GH, GM, GT, HN, HR, HU, ID, IL, IN, IR, IS, JO, JP, KE, KG, KH, KN, KP, KR, KW, KZ, LA, LC, LK, LR, LS, LU, LY, MA, MD, ME, MG, MK, MN, MW, MX, MY, MZ, NA, NG, NI, NO, NZ, OM, PA, PE, PG, PH, PL, PT, QA, RO, RS, RU, RW, SA,

(54) **Title:** REPRESENTING AND ANALYZING CLOUD COMPUTING DATA AS PSEUDO SYSTEMS



**FIG. 6**

(57) **Abstract:** Techniques facilitating representing and analyzing cloud computing data as pseudo systems are provided. A system comprises a memory that stores, and a processor that executes, computer executable components. The computer executable components comprise a framework component and a generation component. The framework component can recreate a system state of a computing device as a pseudo system state for the computing device. The pseudo system state can be decoupled from an original operating state of the computing device and can comprise data abstracted from the original operating state. The data abstracted can mimic an operation of the computing device. The generation component can create the pseudo system state and can facilitate black-box execution of software over the pseudo system state. The black-box execution of software can comprise running applications in the pseudo system state as if the applications were executing in the original operating state of the computing device..



SC, SD, SE, SG, SK, SL, SM, ST, SV, SY, TH, TJ, TM, TN,  
TR, TT, TZ, UA, UG, US, UZ, VC, VN, ZA, ZM, ZW.

- (84) Designated States** (*unless otherwise indicated, for every kind of regional protection available*): ARIPO (BW, GH, GM, KE, LR, LS, MW, MZ, NA, RW, SD, SL, ST, SZ, TZ, UG, ZM, ZW), Eurasian (AM, AZ, BY, KG, KZ, RU, TJ, TM), European (AL, AT, BE, BG, CH, CY, CZ, DE, DK, EE, ES, FI, FR, GB, GR, HR, HU, IE, IS, IT, LT, LU, LV, MC, MK, MT, NL, NO, PL, PT, RO, RS, SE, SI, SK, SM, TR), OAPI (BF, BJ, CF, CG, CI, CM, GA, GN, GQ, GW, KM, ML, MR, NE, SN, TD, TG).

**Published:**

- *with international search report (Art. 21(3))*

## REPRESENTING AND ANALYZING CLOUD COMPUTING DATA AS PSEUDO SYSTEMS

### BACKGROUND

[0001] Cloud computing environments were designed as static environments that included fixed physical nodes. However, with the technological advancements of cloud computing and virtualization technologies, the cloud computing environments are evolving into quickly changing environments that can include one or more virtual machines. Provisioning of the virtual machines is highly-dynamic and the virtual machines can have short lifetimes, which contributes to an ever-changing cloud computing environment.

[0002] Although data center operations have changed, the management and operation of the virtual machines has lagged the technological advancements. Thus, various performance and security tasks are performed using modified versions of tools that were originally designed for managing the fixed physical nodes. For example, Hawkett (U.S. Patent Application Publication No. 2013/0124400) discusses a cloud computing operating system. As discussed in the Abstract of Hawkett (reference characters removed for clarity), the system "includes a plurality of core data structures each configured to define basic attributes that elements of the system contain." Hawkett also discusses, "indexing data structure inherited from one of the core data structures configured to index any number of core data structures or elements inherited from a core data structure." Further, Hawkett discusses "an encapsulating data structure inherited from the indexing data structure and configured to encapsulate any number of core data structures or elements inherited from a core data structure." Although Hawkett performs some system modeling over data, the system model is not exposed as a native system interface. Thus, Hawkett simply uses modified versions of tools for its cloud computing operating system, the tools can be adaptations that were not designed for the virtual machines and do not address the dynamic nature of the virtual machines. Accordingly, the subject disclosure relates to a cloud computing architecture, and more specifically to representing and analyzing cloud computing data as pseudo systems that can be utilized in a cloud computing environment.

### SUMMARY

[0003] The following presents a summary to provide a basic understanding of one or more embodiments of the invention. This summary is not intended to identify key or critical elements, or delineate any scope of the particular embodiments or any scope of the claims. Its sole purpose is to present concepts in a simplified form as a prelude to the more detailed description that is presented later. In one or more embodiments described herein, systems, computer-implemented methods, apparatuses, and/or computer program products that facilitate representing and analyzing cloud computing data as pseudo systems are provided.

**[0004]** According to an embodiment a system can comprise a memory that stores computer executable components and a processor that executes the computer executable components stored in the memory. The computer executable components can comprise a framework component that recreates a system state of a computing device as a pseudo system state for the computing device. The pseudo system state can be decoupled from an original operating state of the computing device and can comprise data abstracted from the original operating state. The data abstracted can mimic an operation of the computing device. The computer executable components can also comprise a generation component that can create the pseudo system state and can facilitate black-box execution of software over the pseudo system state. The black-box execution of software can comprise running applications in the pseudo system state as if the applications were executing in the original operating state of the computing device.

**[0005]** In an aspect, the computer executable components can further comprise a notification component that can generate one or more event notifications in response to the pseudo system state. The one or more event notifications can be decoupled from the original operating state of the computing device. Further to this aspect, the computer executable components can comprise an augment component that can create one or more updated pseudo system states for the computing device. The notification component can generate an event notification of the one or more event notifications in response to the one or more updated pseudo system states.

**[0006]** According to an aspect, the framework component retrospectively can create the pseudo system state from the system state of the computing device and can increase a processing efficiency of the system without installation of software applications on the computing device. In accordance with some aspects discussed herein, the computer executable components can comprise an output component that renders the pseudo system state via an interface that can be in compliance with a portable operating system interface protocol.

**[0007]** In one or more aspects, the computer executable components can comprise an aggregation component that can accumulate data associated with the system state of the computing device. Further, the computer executable components can comprise an analysis component that can gather one or more analytics related to the system state of the computing device. The one or more analytics can be gathered by the analysis component independent of the data accumulated by the aggregation component. In addition, the framework component can incorporate the data and the one or more analytics into the pseudo system state.

**[0008]** In accordance with an aspect, the computing device can be a first computing device and the pseudo system state can be a first pseudo system state. Further to this aspect, the framework component can create a global view of a pseudo system state that comprises the first pseudo system state and at least a second pseudo state of at least a second computing device. The global view of the pseudo system state can be viewable across one or more computing systems. In another aspect, the computer executable components can comprise an

orchestration component that can enable multiplexing of applications and software over multiple instances of system devices. In this aspect, the system devices can comprise the computing device.

**[0009]** Another embodiment relates to a system that can comprise a memory that stores computer executable components and a processor that executes the computer executable components stored in the memory. The computer executable components can comprise a framework component that retrospectively creates respective pseudo system states for one or more compute entity devices using data collection device frames (sometimes referred to as crawler frames) from respective fuse filesystems for the one or more compute entity devices. The computer executable components can also comprise an augment component that can continually or continually update the respective pseudo system states and a generation component that can facilitate black-box execution of applications over the respective pseudo system states. The applications can be executed in the respective pseudo system states to mimic execution on the one or more compute entity devices. The respective pseudo system states can be portable operating system interface compliant.

**[0010]** In an aspect, the computer executable components can further comprise a notification component that can build one or more event notification capabilities that are responsive to the respective pseudo system states. In another aspect, the computer executable components can comprise an aggregation component that can facilitate global-scale analytics based on creation of an aggregate view across the one or more compute entity devices.

## **DESCRIPTION OF THE DRAWINGS**

**[0011]** Embodiments of the invention will now be described, by way of example only, with reference to the accompanying drawings in which:

FIG. 1 illustrates a block diagram of an example, non-limiting system that facilitates representing and analyzing cloud computing data as pseudo systems in accordance with one or more embodiments described herein.

FIG. 2 illustrates an example, non-limiting system for implementation of a pseudo system interface in accordance with one or more embodiments described herein.

FIG. 3 illustrates an example, non-limiting system of an architecture for a representation and analysis component in accordance with one or more embodiments described herein.

FIG. 4 illustrates an example, non-limiting representation of an internal design of a representation and analysis component in accordance with one or more embodiments described herein.

FIG. 5 illustrates an example, non-limiting system for serialization in accordance with one or more embodiments described herein.

FIG. 6 illustrates an example, non-limiting system for event creation and notification in accordance with one or more embodiments described herein.

FIG. 7 illustrates an example, non-limiting system for aggregating data in accordance with one or more embodiments described herein.

FIG. 8 illustrates a flow diagram of an example, non-limiting computer-implemented method that facilitates representing and analyzing cloud computing data as pseudo systems in accordance with one or more embodiments described herein.

FIG. 9 illustrates a flow diagram of an example, non-limiting computer-implemented method that facilitates event generation and notification in accordance with one or more embodiments described herein.

FIG. 10 illustrates a flow diagram of an example, non-limiting computer-implemented method that facilitates aggregate data generation in accordance with one or more embodiments described herein.

FIG. 11 illustrates a block diagram of an example, non-limiting operating environment in which one or more embodiments described herein can be facilitated.

FIG. 12 depicts a cloud computing environment in accordance with one or more embodiments described herein.

FIG. 13 depicts abstraction model layers in accordance with one or more embodiments described herein.

## DETAILED DESCRIPTION

**[0012]** The following detailed description is merely illustrative and is not intended to limit embodiments and/or application or uses of embodiments. Furthermore, there is no intention to be bound by any expressed or implied information presented in the preceding Background or Summary sections, or in the Detailed Description section.

**[0013]** One or more embodiments are now described with reference to the drawings, wherein like referenced numerals are used to refer to like elements throughout. In the following description, for purposes of explanation, numerous specific details are set forth in order to provide a more thorough understanding of the one or more embodiments. It is evident, however, in various cases, that the one or more embodiments can be practiced without these specific details.

**[0014]** Cloud computing systems can enable a shared source of configurable resources, which can be rapidly provisioned. Due to the rapidly changing nature of cloud computing systems, some technologies to manage and control the devices of the cloud computing systems can relate to building a system interface. However, building these system interfaces refers to building a non-standard data model that can be used for accounting and management purposes. Thus, conventional cloud computing systems can be often inefficient due to the reuse of tools that were designed for static computing devices. In addition, some technologies discuss system modeling over the data. However, the modeling does not expose the data as a native system interface. Therefore, conventional cloud computing systems can be improved.

**[0015]** Embodiments described herein comprise systems, computer-implemented methods, and computer program products that can build a standard and native pseudo-system interface from the data captured from the “real” system. For example, the pseudo-system interface can be decoupled from the real system. Accordingly, the pseudo-system interface does not affect the real system.

**[0016]** In addition, various embodiments relate to a technique (e.g., software orchestration and management) to execute black-box software applications over the pseudo-system interface. For example, execution of black-box software applications can facilitate execution of new (or emerging) applications and/or legacy applications. Further, the various embodiments provide the ability to multiplex software execution over multiple instances of virtual machines, containers, and/or bare-metals using an overlay filesystem design. In addition, the various embodiments can facilitate creation of a continual or continual monitoring and notification service decoupled from the “real” system.

**[0017]** Thus, as will be discussed in further detail below, the various aspects relate to performing data analytics by collecting and converting data about applications and systems on the cloud into a consumable format. For example, data about a system (e.g., a computing device) can be extracted and input into a format that can be utilized with both legacy solutions or near emerging solutions (e.g., black box technique) that can execute on a running system, such as a laptop or virtual machine in the cloud. Since the various aspects convert everything from the converted data, the solutions cannot be executed “as is”. Therefore, as discussed herein, the various aspects can modify the data such that the data can be represented as a computing system. Thus, for the applications that are running on a computing system (e.g., a computing device), the applications feel that they are running on the computing system (e.g., a laptop), however, behind the scenes there can be an intermediate layer of software and system components that abstract away the data. Thus, the various aspects provide the look and feel of a computing system, but exposed from view (e.g., behind the scenes) it can be asking the data the question that the application is requesting (e.g., the various aspects can be interfacing between an entity and the application). For example, there can be a compliance checker or a wireless detector that can be running in the system (e.g., laptops, virtual machines, and/or containers running in the cloud). When the wireless checker expects to run on the system, a “vener” can be presented and the wireless checker can be installed or run on that veneer. The wireless checker believes it is running on the system perfectly fine and performs its usual execution (e.g., collect data, perform analysis), however, it is operating with respect to data, not the system.

**[0018]** As discussed herein, the various aspects can run one or more legacy applications and/or one or more emerging applications against the data. Accordingly, the various aspects can remain in the cloud and the one or more solutions can run the one or more legacy applications (e.g., black box) and/or one or more emerging applications without having to reimplement (e.g., reverse engineer) the applications. As such, accuracy of a cloud computing system and/or efficiency of a cloud computing system can be improved. Furthermore, performance

devices associated with a cloud computing system can be improved, efficiency of devices associated with a cloud computing system can be improved, and/or another characteristic of devices associated with a cloud computing system can be improved.

**[0019]** FIG. 1 illustrates a block diagram of an example, non-limiting system 100 that facilitates representing and analyzing cloud computing data as pseudo systems in accordance with one or more embodiments described herein. Aspects of systems (e.g., the system 100 and the like), apparatuses, or processes explained in this disclosure can constitute machine-executable component(s) embodied within machine(s), e.g., embodied in one or more computer readable mediums (or media) associated with one or more machines. Such component(s), when executed by the one or more machines, e.g., computer(s), computing device(s), virtual machine(s), etc. can cause the machine(s) to perform the operations described.

**[0020]** In various embodiments, the system 100 can be any type of component, machine, device, facility, apparatus, and/or instrument that comprises a processor and/or can be capable of effective and/or operative communication with a wired and/or wireless network. Components, machines, apparatuses, devices, facilities, and/or instrumentalities that can comprise the system 100 can include tablet computing devices, handheld devices, server class computing machines and/or databases, laptop computers, notebook computers, desktop computers, cell phones, smart phones, consumer appliances and/or instrumentation, industrial and/or commercial devices, hand-held devices, digital assistants, multimedia Internet enabled phones, multimedia players, and the like.

**[0021]** In various embodiments, the system 100 can be a cloud computing system associated with technologies such as, but not limited to, cloud circuit technologies, cloud computing technologies, artificial intelligence technologies, medicine and materials technologies, supply chain and logistics technologies, financial services technologies, and/or other digital technologies. The system 100 can employ hardware and/or software to solve problems that are highly technical in nature, that are not abstract and that cannot be performed as a set of mental acts by a human. Further, in certain embodiments, some of the processes performed can be performed by one or more specialized computers (e.g., one or more specialized processing units, a specialized computer with a cloud computing component, etc.) to carry out defined tasks related to representing an analyzing cloud computing data as pseudo systems and/or machine learning.

**[0022]** The system 100 and/or components of the system 100 can be employed to solve new problems that arise through advancements in technologies mentioned above, computer architecture, and/or the like. One or more embodiments of the system 100 can provide technical improvements to cloud computing systems, cloud circuit systems, cloud processor systems, artificial intelligence systems, and/or other systems. One or more embodiments of the system 100 can also provide technical improvements to a cloud processor by improving processing

performance of the cloud processor, improving processing efficiency of the cloud processor, improving processing characteristics of the cloud processor, and/or improving power efficiency of the cloud processor.

**[0023]** In the embodiment shown in FIG. 1, the system 100 can comprise a framework component 102, a generation component 104, an output component 106, a processing component 108, a memory 110, and/or a storage 112. The memory 110 can store computer executable components and instructions. The processing component 108 (e.g., a processor) can facilitate execution of the instructions (e.g., computer executable components and corresponding instructions) by the framework component 102, the generation component 104, the output component 106, and/or other system components. As shown, in some embodiments, one or more of the framework component 102, the generation component 104, the output component 106, the processing component 108, the memory 110, and/or the storage 112 can be electrically, communicatively, and/or operatively coupled to one another to perform one or more functions of the system 100.

**[0024]** The framework component 102 can receive, as input data 114, a system state of a computing device. The system state can be an original computing state of the computing device. The computing device can be a server, a virtual machine, or other computing device configured to facilitate operation of a cloud-computing environment. Based on the input data 114, the framework component 102 can recreate a system state of the computing device as a pseudo system state for the computing device. For example, the pseudo system state can be decoupled from an original operating state of the computing device. Further, the pseudo system state can comprise data abstracted from the original operating state. The data abstracted can mimic an operation of the computing device.

**[0025]** The generation component 104 can create the pseudo system state and can facilitate black-box execution of software over the pseudo system state. For example, the black-box execution of the software can comprise running applications in the pseudo system state as if the applications were executing in the original operating state of the computing device. The output component 106 can render the pseudo system state as output data 116. For example, the output component 106 can render the pseudo system state via an interface that can be in compliance with a portable operating system interface protocol.

**[0026]** For example, data related to the original operating state of the computing device can be transformed into a document format, rather than a system format. When various applications or software (e.g., legacy applications/software, non-legacy applications/software, emerging applications/software) are to be executed, the various applications/software can appear to be executing within the computing device. However, the applications/software are actually executing from the document.

**[0027]** According to some implementations, the framework component 102 can retrospectively create the pseudo system state from the system state of the computing device. Based on the retrospective creation of the pseudo system state, the framework component 102 (and other system components) can increase a processing efficiency of the system without installation of software applications on the computing device.

**[0028]** In accordance with some implementations, the computing device can be a first computing device and the pseudo system state can be a first pseudo system state. Further to these implementations, the framework component can create a global view of the first pseudo system state and at least a second pseudo state across computing resources. The computing resources can comprise the first computing device and at least the second computing device.

**[0029]** It is to be appreciated that the system 100 (e.g., the framework component 102, the generation component 104, the output component 106, and/or other system components) performs generation of a pseudo system state or a pseudo system interface and/or performs black-box execution over the pseudo system state that cannot be performed by a human (e.g., is greater than the capability of a single human mind). For example, an amount of data processed, a speed of data processed and/or data types of data processed by the system 100 (e.g., the framework component 102, the generation component 104, the output component 106) over a certain period of time can be greater, faster, and different than an amount, speed, and data type that can be processed by a single human mind over the same period of time. The system 100 (e.g., the framework component 102, the generation component 104, the output component 106) can also be fully operational towards performing one or more other functions (e.g., fully powered on, fully executed, etc.) while also performing the above-referenced generation of a pseudo system state/interface and/or black-box execution over the pseudo system state. Moreover, the pseudo system state/interface generated and coordinated by the system 100 (e.g., the framework component 102, the generation component 104, the output component 106) can include information that is impossible to obtain manually by a user. For example, a type of information included in the input data 114, a variety of information associated with the input data 114, and/or optimization of the input data 114 to generate and output the one or more pseudo system states/interfaces (e.g., output data 116) can be more complex than information that can be obtained manually and processed by a user.

**[0030]** FIG. 2 illustrates an example, non-limiting system 200 for implementation of a pseudo system interface in accordance with one or more embodiments described herein. Repetitive description of like elements employed in other embodiments described herein is omitted for sake of brevity.

**[0031]** The system 200 can comprise one or more of the components and/or functionality of the system 100, and vice versa. The system 200 can separate a collection portion and an analytics portion of a cloud computing device as discussed herein. As illustrated, one or more systems can be executed in a cloud computing

environment 202. For example, the one or more systems can be servers (e.g., a first server 204 and a second server 206) and/or virtual machines (e.g., VM 208). By way of example and not limitation, the first server 204 can be running two virtual machines, as illustrated in FIG. 2. However, it should be noted that other implementations can be utilized in addition to the specific implementation shown and described.

**[0032]** Instead of running tools inside the system, respective data gathering components (e.g., data collection devices 210<sub>1</sub>, 210<sub>2</sub>, 210<sub>3</sub>) can collect information about the associated system and can create a set of system characters (e.g., a detailed list of the system). The data can be retained in a document, according to an aspect. The various aspects provided herein can operate based on the context of the gathered data. The data collection can be utilized to gather metrics, files, and other information.

**[0033]** For example, a data curation component 212 can work against the data (not directly in the one or more systems located in the cloud computing environment 202). At the level of the data curation component 212, various tools can be implemented (e.g., malware, compliance analysis tools). The data curation component 212 can evaluate the data extracted and update the document with the information available.

**[0034]** For example, as illustrated the data analytics 214 can be moved out the system(s) located in the cloud computing environment 202 and can be converted into data. For example, one or more tools can be non-legacy applications (e.g., non-legacy applications 216<sub>1</sub> through 216<sub>5</sub>). Further, one or more tools can be legacy tools (e.g., legacy applications 218<sub>1</sub> and 218<sub>2</sub>) included in the data analytics 214.

**[0035]** Prior to implementation of the disclosed aspects, the legacy applications 218<sub>1</sub> and 218<sub>2</sub> were not usable. For example, legacy applications (or legacy tools) were designed and developed to run directly on the compute entity (e.g., servers, VMs) in the cloud computing environment 202. Traditionally the system state can be modeled and presented as a filesystem (e.g., /proc, /sys, root filesystem). Thus, legacy tools inherently expect a standard portable operating system interface (POSIX) compliant interface and use this interface as a read-only filesystem. Running legacy tools locally implies performance overhead and security concerns limiting compute-intensive machine learning driven analytics. This can also limit the scope of analytics since global view of system/cloud are not available.

**[0036]** Thus, according to various aspects, provided are data collection and analytics that can be separated so that analytics capability can scale independently of data collection. Further, the various aspects can enable a global view and data correlation through centralized data curation. In addition, a system state can be decoupled from the system and can be available as a streaming data and not as a standard POSIX interface. Further, the various aspects can be implemented without re-writing the analytics tools to a new system model. In addition, the

legacy applications (Security Content Automation Protocol (SCAP), openScap, security information and event management (IEM), antivirus) can be ported to the new system model.

**[0037]** For example, as discussed herein, a representation and analysis component 220 can be implemented. According to some implementations, the representation and analysis component 220 can be referred to as a retrospective cloud computing introspection component or as conFuse (File System in User Space (Fuse) for a Container (con)). Through implementation of the representation and analysis component 220, the computing system can be converted to data, and back to a computing system. After conversion from the data to the computing system, the computing system can be implemented, for example, on a server 224 that can comprise a pseudo system interface 226 or a pseudo system state (illustrated as being implemented on a virtual machine).

**[0038]** The pseudo system interface 226 can mimic a container, for example. Thus, the pseudo system interface 226 can appear and operate as a computing system to the legacy applications 218<sub>1</sub> and 218<sub>2</sub>, for example, but on the back end (e.g., behind the scenes) the pseudo system interface 226 can be working against the data. Accordingly, the aspects discussed herein can be utilized with both legacy applications and new, emerging applications.

**[0039]** According to some implementations, the system 200 can recreate a pseudo system interface using conFuse (e.g., the representation and analysis component 220) for servers, VMs, and containers. Further, legacy applications can be run (e.g., executed) without modifications. In addition, the system 200 can provide a black-box analytics platform for existing and new applications. The system 200 can also be useful as a stand-alone and isolated test-platform for testing new system analytics features, according to an implementation.

**[0040]** As discussed herein, the various aspects can convert files systems code into codes against the data. In a specific, non-limiting example, some systems (e.g., Linux systems) can expose its operating states through read-only pseudo filesystems, such as, for example: procfs (/proc), which can be process information (e.g., process running information), and sysfs (/sys), which can be kernel subsystem, device drivers, and/or hardware devices (e.g., configuration of the operating system). Further, the one or more compute entities (e.g., VM, container) can also have respective persistent states in respective "root filesystems" (/etc, /home, /usr...). Data collectors can capture these states and transform the states into standard formatted data, which are sometimes referred to as crawler-frames. The frames can be transported over the network to separate analytic platforms. In an example, the frames can be a general representation of data (e.g., how the systems are represented as data) and can be in any data representation format.

**[0041]** By way of example and not limitation, the following in an example sample frame that can be utilized. However, the disclosed aspects are not limited to the following example.

- os "linux"  
{"boottime":1490040337.0,"uptime":614100.0,"ipaddr":["127.0.0.1","172.16.73.76"],"os":  
"ubuntu","os\_version":"16.04","os\_kernel":"Linux-4.4.0-53-generic-x86\_64-with-debian-  
stretch-sid","architecture":"x86\_64"}...
- disk "/"  
{"partitionname":"","freepct":90.7,"fstype":"aufs","mountpt":"/","mountopts":"rw,relatime,si=  
2ed3824d9539b5c,dio,dirperm1","partitionsizesize":105389207552}...
- package "debiantils"  
{"installed":null,"pkgname":"debiantils","pkgsize":"213","pkgversion":"4.7","pkgarchitecture":"amd  
64"}...
- file "/etc/host.conf"  
{"atime":1445534121.0,"ctime":1488853389.4237413,"gid":0,"linksto":null,"mode":33188,  
"mtime":1445534121.0,"name":"host.conf","path":"/etc/host.conf","size":92,"type":"file","ui  
d":0}...
- process "python/14" {"cmd":"python crawler.py .."}...
- ...

**[0042]** FIG. 3 illustrates an example, non-limiting system 300 of an architecture for a conFuse component in accordance with one or more embodiments described herein. Repetitive description of like elements employed in other embodiments described herein is omitted for sake of brevity.

**[0043]** Illustrated on the left of FIG. 3 is a data representation of a system, which is referred to as a data collection device frame 302. For example, the illustrated data collection device frame 302 is referred to as crawler-frame contA (e.g., the crawler frame for Container A). The system state frame data can be collected from a container, Virtual Machine, bare metal, laptop, and so on.

**[0044]** Each data collection device frame of container/VM (e.g., the data collection device frame 302) can be parsed, at 304, by the representation and analysis component 220 (e.g., conFuse component, fuse filesystem). Further, a separate mount point (e.g., a directory (which is usually empty) in the currently accessible filesystem on which an additional filesystem can be mounted (e.g., logically attached)) can be created, at 306. For example, the representation and analysis component 220 can, based on the data collection device frame 302 create a file system view. On top of that can be applications 308<sub>1</sub>, 308<sub>2</sub>, 308<sub>3</sub>. For example, the one or more applications 308<sub>1</sub>, 308<sub>2</sub>, 308<sub>3</sub> can be built on top of the same file system using various layer file system techniques and using a change root (chroot) of the specific implementation, at 310. For example, legacy applications can chroot to these mount points to view the root-filesystem of the respective container/VM. According to some implementations, the chroot: can be

an operating system capability to make the one or more applications operate as if the one or more applications are all in the system, and performing the capturing and implementing the file system code.

**[0045]** Thus, the one or more applications 308<sub>1</sub>, 308<sub>2</sub>, 308<sub>3</sub> can appear as if the respective application is installed in the system and is operating on top of the file system 312 (e.g., /mnt/contA). For example, one or more file system layers can be built and selectively added and/or removed from the underlying file system. A process to modify can be to create a base layer (OS) and build additional layers on top of the base layer. The layers in the file system utilize the container A can communicate with the representation and analysis component 220. On top of that can be additional layers that can comprise the legacy applications, which can function as if they are components of the entire system.

**[0046]** One or more filesystem calls (e.g., open, read, stat, ls etc.) made by applications inside mount points, at 314, can be intercepted by a File System in User Space (FUSE) and control can be passed to the representation and analysis component 220 for handling that call, at 316. The representation and analysis component 220 can return the related filesystem metadata/data from the parsed frame output (e.g., from 304).

**[0047]** For example, behind the scenes of the filesystem view, all the file system codes can be captured and the representation and analysis component 220 can execute against the data. Accordingly, there is no system, virtual machine, container, or server running on the mount container A. Further, there is no container A, just an impression that it exists.

**[0048]** FIG. 4 illustrates an example, non-limiting representation of an internal design 400 of a conFuse component in accordance with one or more embodiments described herein. Illustrated is a frame 402 (e.g., the data collection device frame 302). The one or more applications (e.g., Openscap Trace) can be installed in slash (e.g., in the root directory), as indicated at 404. Various elements of the data 404 can be evaluated (e.g., file information, process information, operating system (OS) information, configuration (config) information, and disk information). As illustrated, different pieces of logic can be mapped into the file system. For example, a first set of logic 406 can be mapped to a first application 408 and a second set of logic 410 can be mapped to a second application 412.

**[0049]** According to some implementations, an application built can be "Openscap," which can be used for compliance analysis. As a non-limiting example, codes used for Openscap were analyzed and it was determined that only a subset of the codes (e.g., a small portion) needed to be implemented with the disclose aspects. Thus, codes that do not need to be implemented, such as codes that change the file system, are not implemented, which can improve efficiencies of a computing system as discussed herein.

**[0050]** FIG. 5 illustrates an example, non-limiting system 500 for serialization in accordance with one or more embodiments described herein. The system 500 can comprise one or more of the components and/or functionality of the system 100, and/or the system 200, and vice versa.

**[0051]** Starting with a system state 502, serialization can be performed at 504. As discussed herein, serialization refers to extracting the system state 502 and representing the system state 502 in a different format (e.g., a serialized system state 506), which can be a binary format or another format. The serialized system state 506 can be transported 508 over a network 510.

**[0052]** As illustrated, non-legacy applications 512 can operate directly with the system state over the network 510. However, for legacy applications 514, a deserialized system state 516 should be created, such as through deserialization 518 as discussed herein. Accordingly, the non-legacy applications 512 and the legacy applications 514, in some implementations, are not located together.

**[0053]** FIG. 6 illustrates an example, non-limiting system 600 for event creation and notification in accordance with one or more embodiments described herein. Repetitive description of like elements employed in other embodiments described herein is omitted for sake of brevity.

**[0054]** The system 600 can comprise one or more of the components and/or functionality of the system 100, the system 200, and/or the system 500, and vice versa. The system 600 can comprise a notification component 602 that can generate one or more event notifications in response to the pseudo system state. The one or more event notifications can be decoupled from the original operating state of the computing device.

**[0055]** Further, the system 600 can comprise an augment component 604 that can create one or more updated pseudo system states for the computing device. The notification component 602 can generate an event notification of the one or more event notifications in response to the one or more updated pseudo system states.

**[0056]** As discussed herein, the system 600 can provide a framework to retrospectively recreate a pseudo system state for one or more cloud compute entity devices (e.g., VM, containers). Further, the pseudo system state can be POSIX-compliant, which is a set of standards that have been specified for maintaining compatibility between operating systems. For example, POSIX can define an application programming interface (API) and other interfaces for software compatibility with one or more operating systems.

**[0057]** As discussed herein, the system can continually or continually update the pseudo state. Thus, solutions can be created and can change over time. Further, one or more event notification capabilities can be created. For example, auditd and/or inotify can be utilized with the disclosed aspects. In an example, the various aspects can operate across a variety of computing devices. For example, the framework can provide the ability to

create a global or aggregate view across all cloud resources to facilitate new cloud-scale analytics. Thus, when something changes in one computing device, the other computing devices can be analyzed to determine if changes should be applied there also (e.g., aggregate view, global view).

**[0058]** According to some implementations, one or more crawler frames (e.g., data collected) can change continually or continuously as system state changes. The various aspects can capture these changes and can enable out-of-band event generation which can be semantically equivalent to: auditd : syscall tracing and/or inotify : capturing filesystem modifications. These events can be used to capture undesirable changes and drive various policies, such as access violation and notification.

**[0059]** FIG. 7 illustrates an example, non-limiting system 700 for aggregating data in accordance with one or more embodiments described herein. Repetitive description of like elements employed in other embodiments described herein is omitted for sake of brevity.

**[0060]** The system 700 can comprise one or more of the components and/or functionality of the system 100, the system 200, the system 500, and/or the system 600, and vice versa.

**[0061]** As illustrated, the system 700 can comprise an aggregation component 702 that can accumulate data associated with the system state of the computing device. For example, the aggregation component 702 can retain information related to the system state data, as well as information related to data from other system states.

**[0062]** Further, the data can be retained as historical data that can be utilized to evaluate related systems, for example.

**[0063]** Further, an analysis component 704 can gather one or more analytics related to the system state of the computing device. The one or more analytics can be gathered by the analysis component 704 independent of the data accumulated by the aggregation component 702. Further, the framework component 102 can incorporate the data and the one or more analytics into the pseudo system state.

**[0064]** According to some implementations, the system 700 can comprise an arrangement component 706 that can enable multiplexing of applications and software over multiple instances of system devices, including the computing device.

**[0065]** In certain embodiments, the framework component 102 can recreate the system state and/or the generation component 104 can create the pseudo system state based on classifications, correlations, inferences and/or expressions associated with principles of artificial intelligence. For instance, the framework component 102,

the generation component 104, as well as other system components, can employ an automatic classification system and/or an automatic classification process to determine sets of logic of various applications that should be utilized and other sets of logic of the various applications that can be selectively ignored for the pseudo system state. In one example, the framework component 102 and/or the generation component 104 can employ a probabilistic and/or statistical-based analysis (e.g., factoring into the analysis utilities and costs) to learn and/or generate inferences with respect to the respective logic of the one or more applications and corresponding features that should be applied to the pseudo system state. In an aspect, the framework component 102 and/or the generation component 104 can comprise respective inference components (not shown) that can further enhance automated aspects of the framework component 102 and/or the generation component 104 utilizing in part inference based procedures to facilitate learning and/or generating inferences associated with the logic that should be applied in order to achieve a properly functioning pseudo system state. The framework component 102 and/or the generation component 104 can employ any suitable machine-learning based techniques, statistical-based techniques and/or probabilistic-based techniques. For example, the framework component 102 and/or the generation component 104 can employ expert systems, fuzzy logic, SVMs, Hidden Markov Models (HMMs), greedy search algorithms, rule-based systems, Bayesian models (e.g., Bayesian networks), neural networks, other non-linear training techniques, data fusion, utility-based analytical systems, systems employing Bayesian models, etc. In another aspect, the framework component 102 and/or the generation component 104 can perform a set of machine learning computations associated with generation of the pseudo system state. For example, the framework component 102 and/or the generation component 104 can perform a set of clustering machine learning computations, a set of logistic regression machine learning computations, a set of decision tree machine learning computations, a set of random forest machine learning computations, a set of regression tree machine learning computations, a set of least square machine learning computations, a set of instance-based machine learning computations, a set of regression machine learning computations, a set of support vector regression machine learning computations, a set of k-means machine learning computations, a set of spectral clustering machine learning computations, a set of rule learning machine learning computations, a set of Bayesian machine learning computations, a set of deep Boltzmann machine computations, a set of deep belief network computations, and/or a set of different machine learning computations to create the pseudo system state.

**[0066]** FIG. 8 illustrates a flow diagram of an example, non-limiting computer-implemented method 800 that facilitates representing and analyzing cloud computing data as pseudo systems in accordance with one or more embodiments described herein. Repetitive description of like elements employed in other embodiments described herein is omitted for sake of brevity.

**[0067]** At 802 of the computer-implemented method 800, a system operatively coupled to a processor, can recreate a system state of a computing device as a pseudo system state for the computing device (e.g., via the framework component 102). The system state of the computing device can be an original operating state of the

computing device. The pseudo system state can be decoupled from the original operating state of the computing device and can comprise data abstracted from the original operating state. Further, the data abstracted can mimic an operation of the computing device.

**[0068]** In an implementation, the computer-implemented method 800 can comprise retrospectively creating, by the system, the pseudo system state from the system state of the computing device. A processing efficiency of the system, therefore, can be increased without installation of software applications on the computing device.

**[0069]** According to some implementations, the computing device can be a first computing device and the pseudo system state can be a first pseudo system state. Further to these implementations, the computer-implemented method 800 can comprise creating a global view of the first pseudo system state and a second pseudo state across computing resources (e.g., via the framework component 102). The computing resources can comprise the first computing device and a second computing device.

**[0070]** At 804 of the computer-implemented method 800, the system can create the pseudo system state and can facilitate black-box execution of software over the pseudo system state (e.g., via the generation component 104). The black-box execution can comprise running applications in the pseudo system state as if the applications were executing in the original operating state of the computing device.

**[0071]** In accordance with an implementation, the computer-implemented method 800 can comprise rendering, by the system, the pseudo system state via an interface that can be in compliance with a portable operating system interface protocol (e.g., via the output component 106). For example, the pseudo system state can be rendered in various perceivable formats including, but not limited to, a visual format and an audible format.

**[0072]** FIG. 9 illustrates a flow diagram of an example, non-limiting computer-implemented method 900 that facilitates event generation and notification in accordance with one or more embodiments described herein. Repetitive description of like elements employed in other embodiments described herein is omitted for sake of brevity.

**[0073]** The computer-implemented method 900 starts, at 902, when a system operatively coupled to a processor can recreate a system state of a computing device as a pseudo system state for the computing device (e.g., via the framework component 102). The computing device can be, for example, a virtual machine, a server, or another device. At 904 of the computer-implemented method 900, the system, can create the pseudo system state and can facilitate black-box execution of software over the pseudo system state (e.g., via the generation component 104). The black-box execution can enable the execution of applications as if the applications are being executed on the original system (e.g., the system state of the computing device).

**[0074]** Further, at 906 of the computer-implemented method 900, the system can generate one or more event notifications in response to the pseudo system state (e.g., via the notification component 602). The one or more event notifications can be decoupled from the original operating state of the computing device (e.g., can be executed with the pseudo system state).

**[0075]** According to some implementations, at 908 of the computer-implemented method 900, the system can create one or more updated pseudo system states for the computing device (e.g., via the augment component 604). Further to these implementations, at 910 of the computer-implemented method 900, the system can generate an event notification from the one or more event notifications in response to the one or more updated pseudo system states (e.g., via the augment component 604).

**[0076]** FIG. 10 illustrates a flow diagram of an example, non-limiting computer-implemented method 1000 that facilitates aggregate data generation in accordance with one or more embodiments described herein. Repetitive description of like elements employed in other embodiments described herein is omitted for sake of brevity.

**[0077]** At 1002 of the computer-implemented method 1000, a system operatively coupled to a processor can retrospectively create respective pseudo system states for one or more compute entity devices using data collection device frames (e.g., crawler frames) from respective fuse filesystems for the one or more compute entity devices (e.g., via the framework component 102). Further, at 1004 of the computer-implemented method 1000 the system can continually or continually update the respective pseudo system states (e.g., via the generation component 104). In some implementations, the respective pseudo system states can be portable operating system interface compliant.

**[0078]** At 1006 of the computer-implemented method 1000, the system can facilitate black-box execution of applications over the respective pseudo system states (e.g., via the generation component 104). The applications can be executed in the respective pseudo system states to mimic execution on the one or more compute entity devices. Further, the respective pseudo system states can be portable operating system interface compliant.

**[0079]** Data associated with respective system states of the one or more compute entity devices can be accumulated, by the system, at 1008 of the computer-implemented method 1000 (e.g., via the aggregation component 702). Further, at 1010 of the computer-implemented method 1000, the system can gather one or more analytics related to the respective system states of the one or more compute entity devices (e.g., via the analysis component 704). The one or more analytics can be gathered independent of an accumulation of the data. The computer-implemented method 1000 can continue, at 1012, when the system can incorporate the data and the one or more analytics into the respective pseudo system states (e.g., via the framework component 102).

**[0080]** According to some implementations, the computer-implemented method 1000 can comprise building, by the system, one or more event notification capabilities that can be responsive to the respective pseudo system states (e.g., via the notification component 602). In accordance with one or more implementations, the computer-implemented method 1000 can comprise facilitating, by the system, global-scale analytics based on creation of an aggregate view across the one or more compute entity devices (e.g., via the aggregation component 702).

**[0081]** For simplicity of explanation, the computer-implemented methodologies are depicted and described as a series of acts. It is to be understood and appreciated that the subject innovation is not limited by the acts illustrated and/or by the order of acts, for example acts can occur in various orders and/or concurrently, and with other acts not presented and described herein. Furthermore, not all illustrated acts can be required to implement the computer-implemented methodologies in accordance with the disclosed subject matter. In addition, those skilled in the art will understand and appreciate that the computer-implemented methodologies could alternatively be represented as a series of interrelated states via a state diagram or events. Additionally, it should be further appreciated that the computer-implemented methodologies disclosed hereinafter and throughout this specification are capable of being stored on an article of manufacture to facilitate transporting and transferring such computer-implemented methodologies to computers. The term article of manufacture, as used herein, is intended to encompass a computer program accessible from any computer-readable device or storage media.

**[0082]** In order to provide a context for the various aspects of the disclosed subject matter, FIG. 11 as well as the following discussion are intended to provide a general description of a suitable environment in which the various aspects of the disclosed subject matter can be implemented. FIG. 11 illustrates a block diagram of an example, non-limiting operating environment in which one or more embodiments described herein can be facilitated. Repetitive description of like elements employed in other embodiments described herein is omitted for sake of brevity. With reference to FIG. 11, a suitable operating environment 1100 for implementing various aspects of this disclosure can also include a computer 1112. The computer 1112 can also include a processing unit 1114, a system memory 1116, and a system bus 1118. The system bus 1118 couples system components including, but not limited to, the system memory 1116 to the processing unit 1114. The processing unit 1114 can be any of various available processors. Dual microprocessors and other multiprocessor architectures also can be employed as the processing unit 1114. The system bus 1118 can be any of several types of bus structure(s) including the memory bus or memory controller, a peripheral bus or external bus, and/or a local bus using any variety of available bus architectures including, but not limited to, Industrial Standard Architecture (ISA), Micro-Channel Architecture (MSA), Extended ISA (EISA), Intelligent Drive Electronics (IDE), VESA Local Bus (VLB), Peripheral Component Interconnect (PCI), Card Bus, Universal Serial Bus (USB), Advanced Graphics Port (AGP), Firewire (IEEE 1394), and Small Computer Systems Interface (SCSI). The system memory 1116 can also include volatile memory 1120 and nonvolatile memory 1122. The basic input/output system (BIOS), containing the basic routines to transfer information between elements within the computer 1112, such as during start-up, is stored in nonvolatile memory

1122. By way of illustration, and not limitation, nonvolatile memory 1122 can include read only memory (ROM), programmable ROM (PROM), electrically programmable ROM (EPROM), electrically erasable programmable ROM (EEPROM), flash memory, or nonvolatile random access memory (RAM) (e.g., ferroelectric RAM (FeRAM)). Volatile memory 1120 can also include random access memory (RAM), which acts as external cache memory. By way of illustration and not limitation, RAM is available in many forms such as static RAM (SRAM), dynamic RAM (DRAM), synchronous DRAM (SDRAM), double data rate SDRAM (DDR SDRAM), enhanced SDRAM (ESDRAM), Synchlink DRAM (SLDRAM), direct Rambus RAM (DRRAM), direct Rambus dynamic RAM (DRDRAM), and Rambus dynamic RAM.

**[0083]** Computer 1112 can also include removable/non-removable, volatile/non-volatile computer storage media. FIG. 11 illustrates, for example, a disk storage 1124. Disk storage 1124 can also include, but is not limited to, devices like a magnetic disk drive, floppy disk drive, tape drive, Jaz drive, Zip drive, LS-100 drive, flash memory card, or memory stick. The disk storage 1124 also can include storage media separately or in combination with other storage media including, but not limited to, an optical disk drive such as a compact disk ROM device (CD-ROM), CD recordable drive (CD-R Drive), CD rewritable drive (CD-RW Drive) or a digital versatile disk ROM drive (DVD-ROM). To facilitate connection of the disk storage 1124 to the system bus 1118, a removable or non-removable interface is typically used, such as interface 1126. FIG. 11 also depicts software that acts as an intermediary between users and the basic computer resources described in the suitable operating environment 1100. Such software can also include, for example, an operating system 1128. Operating system 1128, which can be stored on disk storage 1124, acts to control and allocate resources of the computer 1112. System applications 1130 take advantage of the management of resources by operating system 1128 through program modules 1132 and program data 1134, e.g., stored either in system memory 1116 or on disk storage 1124. It is to be appreciated that this disclosure can be implemented with various operating systems or combinations of operating systems. A user enters commands or information into the computer 1112 through input device(s) 1136. Input devices 1136 include, but are not limited to, a pointing device such as a mouse, trackball, stylus, touch pad, keyboard, microphone, joystick, game pad, satellite dish, scanner, TV tuner card, digital camera, digital video camera, web camera, and the like. These and other input devices connect to the processing unit 1114 through the system bus 1118 via interface port(s) 1138. Interface port(s) 1138 include, for example, a serial port, a parallel port, a game port, and a universal serial bus (USB). Output device(s) 1140 use some of the same type of ports as input device(s) 1136. Thus, for example, a USB port can be used to provide input to computer 1112, and to output information from computer 1112 to an output device 1140. Output adapter 1142 is provided to illustrate that there are some output devices 1140 like monitors, speakers, and printers, among other output devices 1140, which require special adapters. The output adapters 1142 include, by way of illustration and not limitation, video and sound cards that provide a method of connection between the output device 1140 and the system bus 1118. It should be noted that other devices and/or systems of devices provide both input and output capabilities such as remote computer(s) 1144.

**[0084]** Computer 1112 can operate in a networked environment using logical connections to one or more remote computers, such as remote computer(s) 1144. The remote computer(s) 1144 can be a computer, a server, a router, a network PC, a workstation, a microprocessor based appliance, a peer device or other common network node and the like, and typically can also include many or all of the elements described relative to computer 1112. For purposes of brevity, only a memory storage device 1146 is illustrated with remote computer(s) 1144. Remote computer(s) 1144 is logically connected to computer 1112 through a network interface 1148 and then physically connected via communication connection 1150. Network interface 1148 encompasses wire and/or wireless communication networks such as local-area networks (LAN), wide-area networks (WAN), cellular networks, etc. LAN technologies include Fiber Distributed Data Interface (FDDI), Copper Distributed Data Interface (CDDI), Ethernet, Token Ring and the like. WAN technologies include, but are not limited to, point-to-point links, circuit switching networks like Integrated Services Digital Networks (ISDN) and variations thereon, packet switching networks, and Digital Subscriber Lines (DSL). Communication connection(s) 1150 refers to the hardware/software employed to connect the network interface 1148 to the system bus 1118. While communication connection 1150 is shown for illustrative clarity inside computer 1112, it can also be external to computer 1112. The hardware/software for connection to the network interface 1148 can also include, for exemplary purposes only, internal and external technologies such as, modems including regular telephone grade modems, cable modems and DSL modems, ISDN adapters, and Ethernet cards.

**[0085]** The present invention may be a system, a method, an apparatus and/or a computer program product at any possible technical detail level of integration. The computer program product can include a computer readable storage medium (or media) having computer readable program instructions thereon for causing a processor to carry out aspects of the present invention. The computer readable storage medium can be a tangible device that can retain and store instructions for use by an instruction execution device. The computer readable storage medium can be, for example, but is not limited to, an electronic storage device, a magnetic storage device, an optical storage device, an electromagnetic storage device, a semiconductor storage device, or any suitable combination of the foregoing. A non-exhaustive list of more specific examples of the computer readable storage medium can also include the following: a portable computer diskette, a hard disk, a random access memory (RAM), a read-only memory (ROM), an erasable programmable read-only memory (EPROM or Flash memory), a static random access memory (SRAM), a portable compact disc read-only memory (CD-ROM), a digital versatile disk (DVD), a memory stick, a floppy disk, a mechanically encoded device such as punch-cards or raised structures in a groove having instructions recorded thereon, and any suitable combination of the foregoing. A computer readable storage medium, as used herein, is not to be construed as being transitory signals per se, such as radio waves or other freely propagating electromagnetic waves, electromagnetic waves propagating through a waveguide or other transmission media (e.g., light pulses passing through a fiber-optic cable), or electrical signals transmitted through a wire.

**[0086]** Computer readable program instructions described herein can be downloaded to respective computing/processing devices from a computer readable storage medium or to an external computer or external storage device via a network, for example, the Internet, a local area network, a wide area network and/or a wireless network. The network can comprise copper transmission cables, optical transmission fibers, wireless transmission, routers, firewalls, switches, gateway computers and/or edge servers. A network adapter card or network interface in each computing/processing device receives computer readable program instructions from the network and forwards the computer readable program instructions for storage in a computer readable storage medium within the respective computing/processing device. Computer readable program instructions for carrying out operations of the present invention can be assembler instructions, instruction-set-architecture (ISA) instructions, machine instructions, machine dependent instructions, microcode, firmware instructions, state-setting data, configuration data for integrated circuitry, or either source code or object code written in any combination of one or more programming languages, including an object oriented programming language such as Smalltalk, C++, or the like, and procedural programming languages, such as the "C" programming language or similar programming languages. The computer readable program instructions can execute entirely on the user's computer, partly on the user's computer, as a stand-alone software package, partly on the user's computer and partly on a remote computer or entirely on the remote computer or server. In the latter scenario, the remote computer can be connected to the user's computer through any type of network, including a local area network (LAN) or a wide area network (WAN), or the connection can be made to an external computer (for example, through the Internet using an Internet Service Provider). In some embodiments, electronic circuitry including, for example, programmable logic circuitry, field-programmable gate arrays (FPGA), or programmable logic arrays (PLA) can execute the computer readable program instructions by utilizing state information of the computer readable program instructions to personalize the electronic circuitry, in order to perform aspects of the present invention.

**[0087]** Aspects of the present invention are described herein with reference to flowchart illustrations and/or block diagrams of methods, apparatus (systems), and computer program products according to embodiments of the invention. It will be understood that each block of the flowchart illustrations and/or block diagrams, and combinations of blocks in the flowchart illustrations and/or block diagrams, can be implemented by computer readable program instructions. These computer readable program instructions can be provided to a processor of a general purpose computer, special purpose computer, or other programmable data processing apparatus to produce a machine, such that the instructions, which execute via the processor of the computer or other programmable data processing apparatus, create method for implementing the functions/acts specified in the flowchart and/or block diagram block or blocks. These computer readable program instructions can also be stored in a computer readable storage medium that can direct a computer, a programmable data processing apparatus, and/or other devices to function in a particular manner, such that the computer readable storage medium having instructions stored therein comprises an article of manufacture including instructions which implement aspects of the function/act specified in the flowchart and/or block diagram block or blocks. The computer readable program

instructions can also be loaded onto a computer, other programmable data processing apparatus, or other device to cause a series of operational acts to be performed on the computer, other programmable apparatus or other device to produce a computer implemented process, such that the instructions which execute on the computer, other programmable apparatus, or other device implement the functions/acts specified in the flowchart and/or block diagram block or blocks.

**[0088]** The flowchart and block diagrams in the Figures illustrate the architecture, functionality, and operation of possible implementations of systems, methods, and computer program products according to various embodiments of the present invention. In this regard, each block in the flowchart or block diagrams can represent a module, segment, or portion of instructions, which comprises one or more executable instructions for implementing the specified logical function(s). In some alternative implementations, the functions noted in the blocks can occur out of the order noted in the Figures. For example, two blocks shown in succession can, in fact, be executed substantially concurrently, or the blocks can sometimes be executed in the reverse order, depending upon the functionality involved. It will also be noted that each block of the block diagrams and/or flowchart illustration, and combinations of blocks in the block diagrams and/or flowchart illustration, can be implemented by special purpose hardware-based systems that perform the specified functions or acts or carry out combinations of special purpose hardware and computer instructions.

**[0089]** While the subject matter has been described above in the general context of computer-executable instructions of a computer program product that runs on a computer and/or computers, those skilled in the art will recognize that this disclosure also can be implemented in combination with other program modules. Generally, program modules include routines, programs, components, data structures, etc. that perform particular tasks and/or implement particular abstract data types. Moreover, those skilled in the art will appreciate that the inventive computer-implemented methods can be practiced with other computer system configurations, including single-processor or multiprocessor computer systems, mini-computing devices, mainframe computers, as well as computers, hand-held computing devices (e.g., PDA, phone), microprocessor-based or programmable consumer or industrial electronics, and the like. The illustrated aspects can also be practiced in distributed computing environments where tasks are performed by remote processing devices that are linked through a communications network. However, some, if not all aspects of this disclosure can be practiced on stand-alone computers. In a distributed computing environment, program modules can be located in both local and remote memory storage devices.

**[0090]** It is to be understood that although this disclosure includes a detailed description on cloud computing, implementation of the teachings recited herein are not limited to a cloud computing environment. Rather, embodiments of the present invention are capable of being implemented in conjunction with any other type of computing environment now known or later developed.

**[0091]** Cloud computing is a model of service delivery for enabling convenient, on-demand network access to a shared pool of configurable computing resources (e.g., networks, network bandwidth, servers, processing, memory, storage, applications, virtual machines, and services) that can be rapidly provisioned and released with minimal management effort or interaction with a provider of the service. This cloud model may include at least five characteristics, at least three service models, and at least four deployment models. The characteristics are as follows: on-demand self-service: a cloud consumer can unilaterally provision computing capabilities, such as server time and network storage, as needed automatically without requiring human interaction with the service's provider. Broad network access: capabilities are available over a network and accessed through standard mechanisms that promote use by heterogeneous thin or thick client platforms (e.g., mobile phones, laptops, and PDAs). Resource pooling: the provider's computing resources are pooled to serve multiple consumers using a multi-tenant model, with different physical and virtual resources dynamically assigned and reassigned according to demand. There is a sense of location independence in that the consumer generally has no control or knowledge over the exact location of the provided resources but may be able to specify location at a high level of abstraction (e.g., country, state, or data center). Rapid elasticity: capabilities can be rapidly and elastically provisioned, in some cases automatically, to quickly scale out and rapidly released to quickly scale in. To the consumer, the capabilities available for provisioning often appear to be unlimited and can be purchased in any quantity at any time. Measured service: cloud systems automatically control and optimize resource use by leveraging a metering capability at some level of abstraction appropriate to the type of service (e.g., storage, processing, bandwidth, and active user accounts). Resource usage can be monitored, controlled, and reported, providing transparency for both the provider and consumer of the utilized service.

**[0092]** Service Models are as follows: Software as a Service (SaaS): the capability provided to the consumer is to use the provider's applications running on a cloud infrastructure. The applications are accessible from various client devices through a thin client interface such as a web browser (e.g., web-based e-mail). The consumer does not manage or control the underlying cloud infrastructure including network, servers, operating systems, storage, or even individual application capabilities, with the possible exception of limited user-specific application configuration settings. Platform as a Service (PaaS): the capability provided to the consumer is to deploy onto the cloud infrastructure consumer-created or acquired applications created using programming languages and tools supported by the provider. The consumer does not manage or control the underlying cloud infrastructure including networks, servers, operating systems, or storage, but has control over the deployed applications and possibly application hosting environment configurations. Infrastructure as a Service (IaaS): the capability provided to the consumer is to provision processing, storage, networks, and other fundamental computing resources where the consumer is able to deploy and run arbitrary software, which can include operating systems and applications. The consumer does not manage or control the underlying cloud infrastructure but has control over operating systems, storage, deployed applications, and possibly limited control of selected networking components (e.g., host firewalls).

**[0093]** Deployment Models are as follows: Private cloud: the cloud infrastructure is operated solely for an organization. It may be managed by the organization or a third party and may exist on-premises or off-premises. Community cloud: the cloud infrastructure is shared by several organizations and supports a specific community that has shared concerns (e.g., mission, security requirements, policy, and compliance considerations). It may be managed by the organizations or a third party and may exist on-premises or off-premises. Public cloud: the cloud infrastructure is made available to the general public or a large industry group and is owned by an organization selling cloud services. Hybrid cloud: the cloud infrastructure is a composition of two or more clouds (private, community, or public) that remain unique entities but are bound together by standardized or proprietary technology that enables data and application portability (e.g., cloud bursting for load-balancing between clouds).

**[0094]** A cloud computing environment is service oriented with a focus on statelessness, low coupling, modularity, and semantic interoperability. At the heart of cloud computing is an infrastructure that includes a network of interconnected nodes.

**[0095]** Referring now to FIG. 12, illustrative cloud computing environment 1250 is depicted. As shown, cloud computing environment 1250 includes one or more cloud computing nodes 1210 with which local computing devices used by cloud consumers, such as, for example, personal digital assistant (PDA) or cellular telephone 1254A, desktop computer 1254B, laptop computer 1254C, and/or automobile computer system 1254N may communicate. Nodes 1210 may communicate with one another. They may be grouped (not shown) physically or virtually, in one or more networks, such as Private, Community, Public, or Hybrid clouds as described hereinabove, or a combination thereof. This allows cloud computing environment 1250 to offer infrastructure, platforms and/or software as services for which a cloud consumer does not need to maintain resources on a local computing device. It is understood that the types of computing devices 1254A-N shown in FIG. 12 are intended to be illustrative only and that computing nodes 1210 and cloud computing environment 1250 can communicate with any type of computerized device over any type of network and/or network addressable connection (e.g., using a web browser).

**[0096]** Referring now to FIG. 13, a set of functional abstraction layers provided by cloud computing environment 1250 (FIG. 12) is shown. It should be understood in advance that the components, layers, and functions shown in FIG. 13 are intended to be illustrative only and embodiments of the invention are not limited thereto. As depicted, the following layers and corresponding functions are provided: Hardware and software layer 1360 includes hardware and software components. Examples of hardware components include: mainframes 1361; RISC (Reduced Instruction Set Computer) architecture based servers 1362; servers 1363; blade servers 1364; storage devices 1365; and networks and networking components 1366. In some embodiments, software components include network application server software 1367 and database software 1368.

**[0097]** Virtualization layer 1370 provides an abstraction layer from which the following examples of virtual entities may be provided: virtual servers 1371; virtual storage 1372; virtual networks 1373, including virtual private networks; virtual applications and operating systems 1374; and virtual clients 1375.

**[0098]** In one example, management layer 1380 may provide the functions described below. Resource provisioning 1381 provides dynamic procurement of computing resources and other resources that are utilized to perform tasks within the cloud computing environment. Metering and Pricing 1382 provide cost tracking as resources are utilized within the cloud computing environment, and billing or invoicing for consumption of these resources. In one example, these resources may include application software licenses. Security provides identity verification for cloud consumers and tasks, as well as protection for data and other resources. User portal 1383 provides access to the cloud computing environment for consumers and system administrators. Service level management 1384 provides cloud computing resource allocation and management such that required service levels are met. Service Level Agreement (SLA) planning and fulfillment 1385 provide pre-arrangement for, the procurement of, cloud computing resources for which a future requirement is anticipated in accordance with an SLA.

**[0099]** Workloads layer 1390 provides examples of functionality for which the cloud computing environment may be utilized. Examples of workloads and functions which may be provided from this layer include: mapping and navigation 1391; software development and lifecycle management 1392; virtual classroom education delivery 1393; data analytics processing 1394; transaction processing 1395; and a representation and analysis component 1396.

**[0100]** As used in this application, the terms "component," "system," "platform," "interface," and the like, can refer to and/or can include a computer-related entity or an entity related to an operational machine with one or more specific functionalities. The entities disclosed herein can be either hardware, a combination of hardware and software, software, or software in execution. For example, a component can be, but is not limited to being, a process running on a processor, a processor, an object, an executable, a thread of execution, a program, and/or a computer. By way of illustration, both an application running on a server and the server can be a component. One or more components can reside within a process and/or thread of execution and a component can be localized on one computer and/or distributed between two or more computers. In another example, respective components can execute from various computer readable media having various data structures stored thereon. The components can communicate via local and/or remote processes such as in accordance with a signal having one or more data packets (e.g., data from one component interacting with another component in a local system, distributed system, and/or across a network such as the Internet with other systems via the signal). As another example, a component can be an apparatus with specific functionality provided by mechanical parts operated by electric or electronic circuitry, which is operated by a software or firmware application executed by a processor. In such a case, the processor can be internal or external to the apparatus and can execute at least a part of the software or firmware

application. As yet another example, a component can be an apparatus that provides specific functionality through electronic components without mechanical parts, wherein the electronic components can include a processor or other method to execute software or firmware that confers at least in part the functionality of the electronic components. In an aspect, a component can emulate an electronic component via a virtual machine, e.g., within a cloud computing system.

**[0101]** In addition, the term “or” is intended to mean an inclusive “or” rather than an exclusive “or.” That is, unless specified otherwise, or clear from context, “X employs A or B” is intended to mean any of the natural inclusive permutations. That is, if X employs A; X employs B; or X employs both A and B, then “X employs A or B” is satisfied under any of the foregoing instances. Moreover, articles “a” and “an” as used in the subject specification and annexed drawings should generally be construed to mean “one or more” unless specified otherwise or clear from context to be directed to a singular form. As used herein, the terms “example” and/or “exemplary” are utilized to mean serving as an example, instance, or illustration. For the avoidance of doubt, the subject matter disclosed herein is not limited by such examples. In addition, any aspect or design described herein as an “example” and/or “exemplary” is not necessarily to be construed as preferred or advantageous over other aspects or designs, nor is it meant to preclude equivalent exemplary structures and techniques known to those of ordinary skill in the art.

**[0102]** As it is employed in the subject specification, the term “processor” can refer to substantially any computing processing unit or device comprising, but not limited to, single-core processors; single-processors with software multithread execution capability; multi-core processors; multi-core processors with software multithread execution capability; multi-core processors with hardware multithread technology; parallel platforms; and parallel platforms with distributed shared memory. Additionally, a processor can refer to an integrated circuit, an application specific integrated circuit (ASIC), a digital signal processor (DSP), a field programmable gate array (FPGA), a programmable logic controller (PLC), a complex programmable logic device (CPLD), a discrete gate or transistor logic, discrete hardware components, or any combination thereof designed to perform the functions described herein. Further, processors can exploit nano-scale architectures such as, but not limited to, molecular and quantum-dot based transistors, switches and gates, in order to optimize space usage or enhance performance of user equipment. A processor can also be implemented as a combination of computing processing units. In this disclosure, terms such as “store,” “storage,” “data store,” “data storage,” “database,” and substantially any other information storage component relevant to operation and functionality of a component are utilized to refer to “memory components,” entities embodied in a “memory,” or components comprising a memory. It is to be appreciated that memory and/or memory components described herein can be either volatile memory or nonvolatile memory, or can include both volatile and nonvolatile memory. By way of illustration, and not limitation, nonvolatile memory can include read only memory (ROM), programmable ROM (PROM), electrically programmable ROM (EPROM), electrically erasable ROM (EEPROM), flash memory, or nonvolatile random access memory (RAM) (e.g., ferroelectric RAM (FeRAM)). Volatile memory can include RAM, which can act as external cache memory, for

example. By way of illustration and not limitation, RAM is available in many forms such as synchronous RAM (SRAM), dynamic RAM (DRAM), synchronous DRAM (SDRAM), double data rate SDRAM (DDR SDRAM), enhanced SDRAM (ESDRAM), Synchlink DRAM (SLDRAM), direct Rambus RAM (DRRAM), direct Rambus dynamic RAM (DRDRAM), and Rambus dynamic RAM (RDRAM). Additionally, the disclosed memory components of systems or computer-implemented methods herein are intended to include, without being limited to including, these and any other suitable types of memory.

**[0103]** What has been described above include mere examples of systems and computer-implemented methods. It is, of course, not possible to describe every conceivable combination of components or computer-implemented methods for purposes of describing this disclosure, but one of ordinary skill in the art can recognize that many further combinations and permutations of this disclosure are possible. Furthermore, to the extent that the terms "includes," "has," "possesses," and the like are used in the detailed description, claims, appendices and drawings such terms are intended to be inclusive in a manner similar to the term "comprising" as "comprising" is interpreted when employed as a transitional word in a claim. The descriptions of the various embodiments have been presented for purposes of illustration, but are not intended to be exhaustive or limited to the embodiments disclosed. Many modifications and variations will be apparent to those of ordinary skill in the art without departing from the scope and spirit of the described embodiments. The terminology used herein was chosen to best explain the principles of the embodiments, the practical application or technical improvement over technologies found in the marketplace, or to enable others of ordinary skill in the art to understand the embodiments disclosed herein.

## CLAIMS

1. A system, comprising:
  - a memory that stores computer executable components; and
  - a processor that executes the computer executable components stored in the memory, wherein the computer executable components comprise:
    - a framework component that recreates a system state of a computing device as a pseudo system state for the computing device, wherein the pseudo system state is decoupled from an original operating state of the computing device and comprises data abstracted from the original operating state, and wherein the data abstracted mimics an operation of the computing device; and
    - a generation component that creates the pseudo system state and facilitates black-box execution of software over the pseudo system state, wherein the black-box execution of software comprises running applications in the pseudo system state as if the applications were executing in the original operating state of the computing device.
2. The system of claim 1, wherein the computer executable components further comprise:
  - a notification component that generates one or more event notifications in response to the pseudo system state, wherein the one or more event notifications are decoupled from the original operating state of the computing device.
3. The system of claim 2, wherein the computer executable components further comprise:
  - an augment component that creates one or more updated pseudo system states for the computing device, and wherein the notification component generates an event notification of the one or more event notifications in response to the one or more updated pseudo system states.
4. The system of claim 1, wherein the framework component retrospectively creates the pseudo system state from the system state of the computing device and increases a processing efficiency of the system without installation of software applications on the computing device.
5. The system of claim 1, wherein the computer executable components further comprise an output component that renders the pseudo system state via an interface that is in compliance with a portable operating system interface protocol.
6. The system of claim 1, wherein the computer executable components further comprise:
  - an aggregation component that accumulates data associated with the system state of the computing device; and

an analysis component that gathers one or more analytics related to the system state of the computing device, wherein the one or more analytics are gathered by the analysis component independent of the data accumulated by the aggregation component, and wherein the framework component incorporates the data and the one or more analytics into the pseudo system state.

7. The system of claim 1, wherein the computing device is a first computing device and the pseudo system state is a first pseudo system state, and wherein the framework component creates a global view of a pseudo system state that comprises the first pseudo system state and at least a second pseudo state of at least a second computing device, and wherein the global view of the pseudo system state is viewable across one or more computing systems.

8. The system of claim 1, wherein the computer executable components further comprise:  
an arrangement component that enables multiplexing of applications and software over multiple instances of system devices, wherein the system devices comprise the computing device.

9. A computer-implemented method, comprising:  
recreating, by a system operatively coupled to a processor, a system state of a computing device as a pseudo system state for the computing device, wherein the pseudo system state is decoupled from an original operating state of the computing device and comprises data abstracted from the original operating state, and wherein the data abstracted mimics an operation of the computing device; and  
creating, by the system, the pseudo system state and facilitating black-box execution of software over the pseudo system state, wherein the black-box execution comprises running applications in the pseudo system state as if the applications were executing in the original operating state of the computing device.

10. The computer-implemented method of claim 9, further comprising:  
generating, by the system, one or more event notifications in response to the pseudo system state, wherein the one or more event notifications are decoupled from the original operating state of the computing device.

11. The computer-implemented method of claim 10, further comprising:  
creating, by the system, one or more updated pseudo system states for the computing device; and  
generating, by the system, an event notification from the one or more event notifications in response to the one or more updated pseudo system states.

12. The computer-implemented method of claim 9, wherein the creating the pseudo system state comprises retrospectively creating, by the system, the pseudo system state from the system state of the computing device and

increasing, by the system, a processing efficiency of the system without installation of software applications on the computing device.

13. The computer-implemented method of claim 9, further comprising:

rendering, by the system, the pseudo system state via an interface that is in compliance with a portable operating system interface protocol.

14. The computer-implemented method of claim 9, further comprising:

accumulating, by the system, data associated with the system state of the computing device;  
gathering, by the system, one or more analytics related to the system state of the computing device, wherein the one or more analytics are gathered independent of an accumulation of the data; and  
incorporating, by the system, the data and the one or more analytics into the pseudo system state.

15. A computer program product that facilitates representing and analyzing cloud computing data as pseudo systems, the computer program product comprising a computer readable storage medium having program instructions embodied therewith, the program instructions are executable by a processor to cause the processor to:

recreate a system state of a computing device as a pseudo system state for the computing device, wherein the pseudo system state is decoupled from an original operating state of the computing device and comprises data abstracted from the original operating state, and wherein the data abstracted mimics an operation of the computing device; and

create the pseudo system state and facilitate black-box execution of software over the pseudo system state, wherein the black-box execution comprises running applications in the pseudo system state as if the applications were executing in the original operating state of the computing device.

16. The computer program product of claim 15, wherein the program instructions cause the processor to:

generate one or more event notifications in response to the pseudo system state, wherein the one or more event notifications are decoupled from the original operating state of the computing device.

17. The computer program product of claim 16, wherein the program instructions cause the processor to:

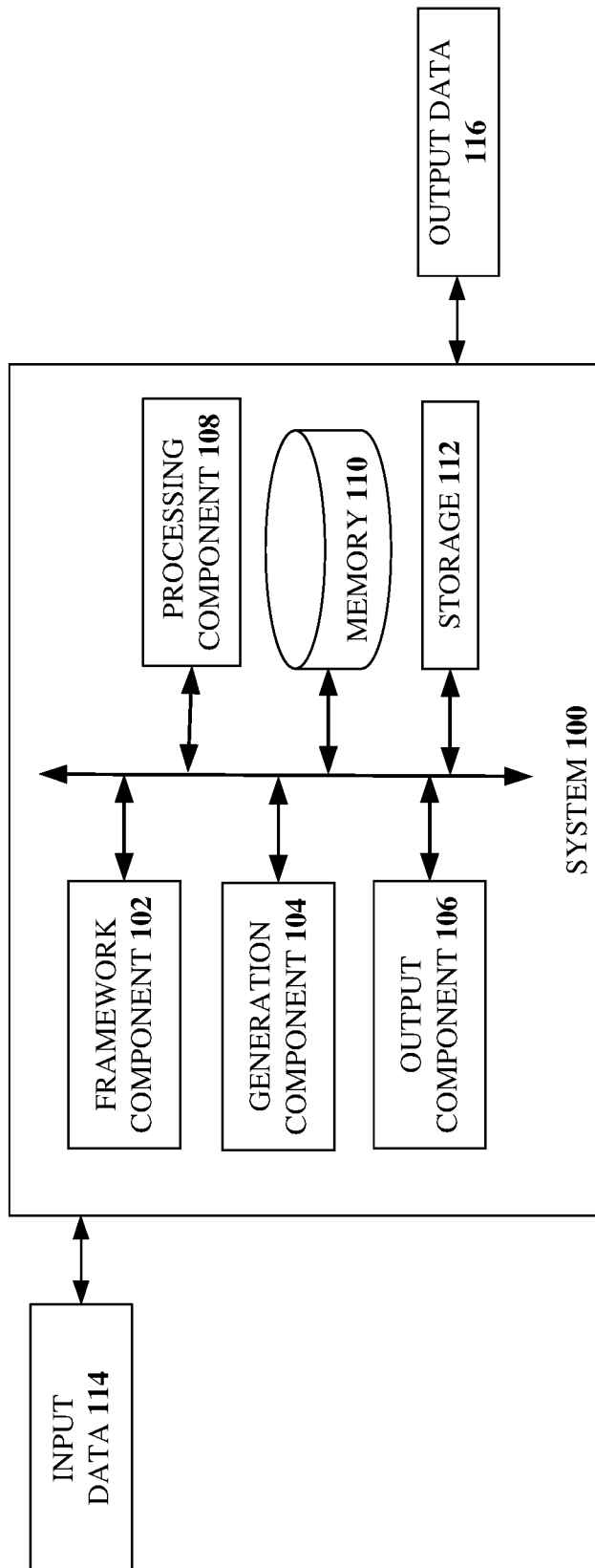
create one or more updated pseudo system states for the computing device; and  
generate an event notification from the one or more event notifications in response to the one or more updated pseudo system states.

18. The computer program product of claim 15, wherein the program instructions cause the processor to:

render the pseudo system state via an interface that is in compliance with a portable operating system interface protocol.

19. The computer program product of claim 15, wherein the program instructions cause the processor to: multiplex one or more applications and software over multiple instances of system devices, wherein the system devices comprise the computing device.
20. A system, comprising:  
a memory that stores computer executable components; and  
a processor that executes the computer executable components stored in the memory, wherein the computer executable components comprise:  
a framework component that retrospectively creates respective pseudo system states for one or more compute entity devices using data collection device frames from respective fuse filesystems for the one or more compute entity devices;  
an augment component that continually updates the respective pseudo system states; and  
a generation component that facilitates black-box execution of applications over the respective pseudo system states, wherein the applications are executed in the respective pseudo system states to mimic execution on the one or more compute entity devices.
21. The system of claim 20, wherein the computer executable components further comprise a notification component that builds one or more event notification capabilities that are responsive to the respective pseudo system states.
22. The system of claim 20, wherein the respective pseudo system states are portable operating system interface compliant.
23. The system of claim 20, wherein the computer executable components further comprise an aggregation component that facilitates global-scale analytics based on creation of an aggregate view across the one or more compute entity devices.
24. A computer-implemented method, comprising:  
retrospectively creating, by a system operatively coupled to a processor, respective pseudo system states for one or more compute entity devices using data collection device frames from respective fuse filesystems for the one or more compute entity devices;  
continually updating, by the system, the respective pseudo system states; and  
facilitating, by the system, black-box execution of applications over the respective pseudo system states, wherein the applications are executed in the respective pseudo system states to mimic execution on the one or more compute entity devices, and wherein the respective pseudo system states are portable operating system interface compliant.

25. The computer-implemented method of claim 24, further comprising:  
building, by the system, one or more event notification capabilities that are responsive to the respective pseudo system states.



**FIG. 1**

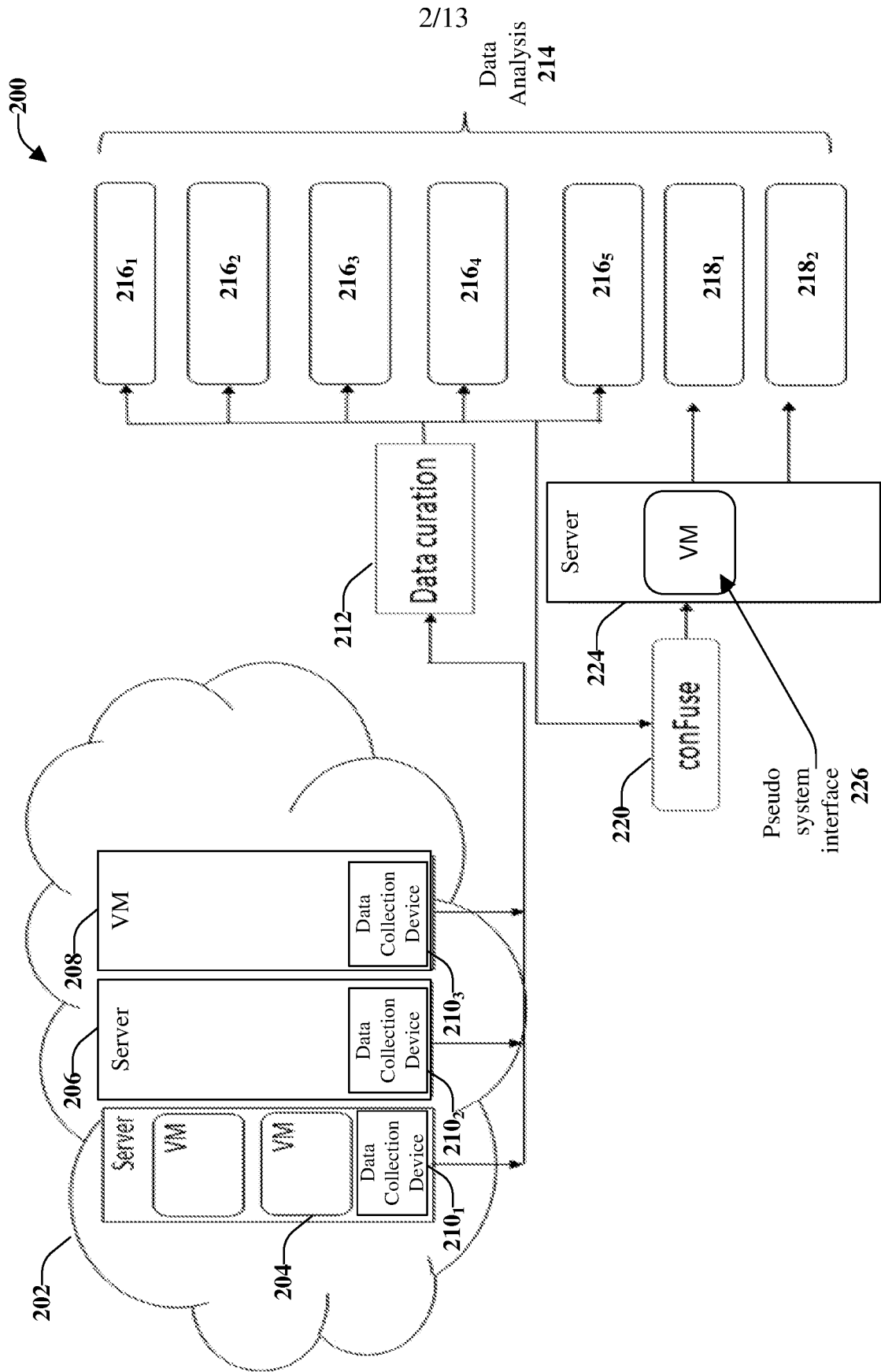


FIG. 2



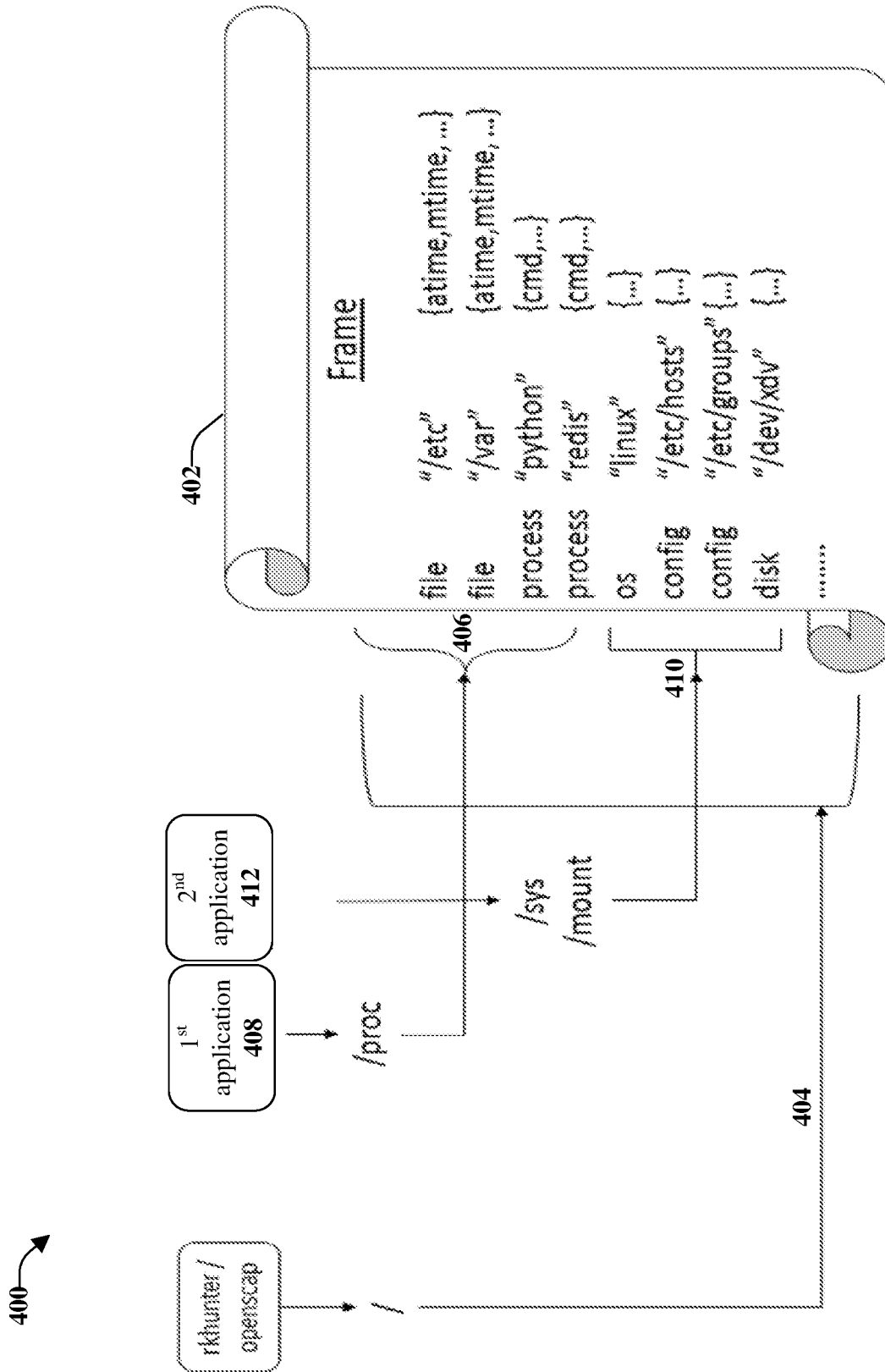


FIG. 4

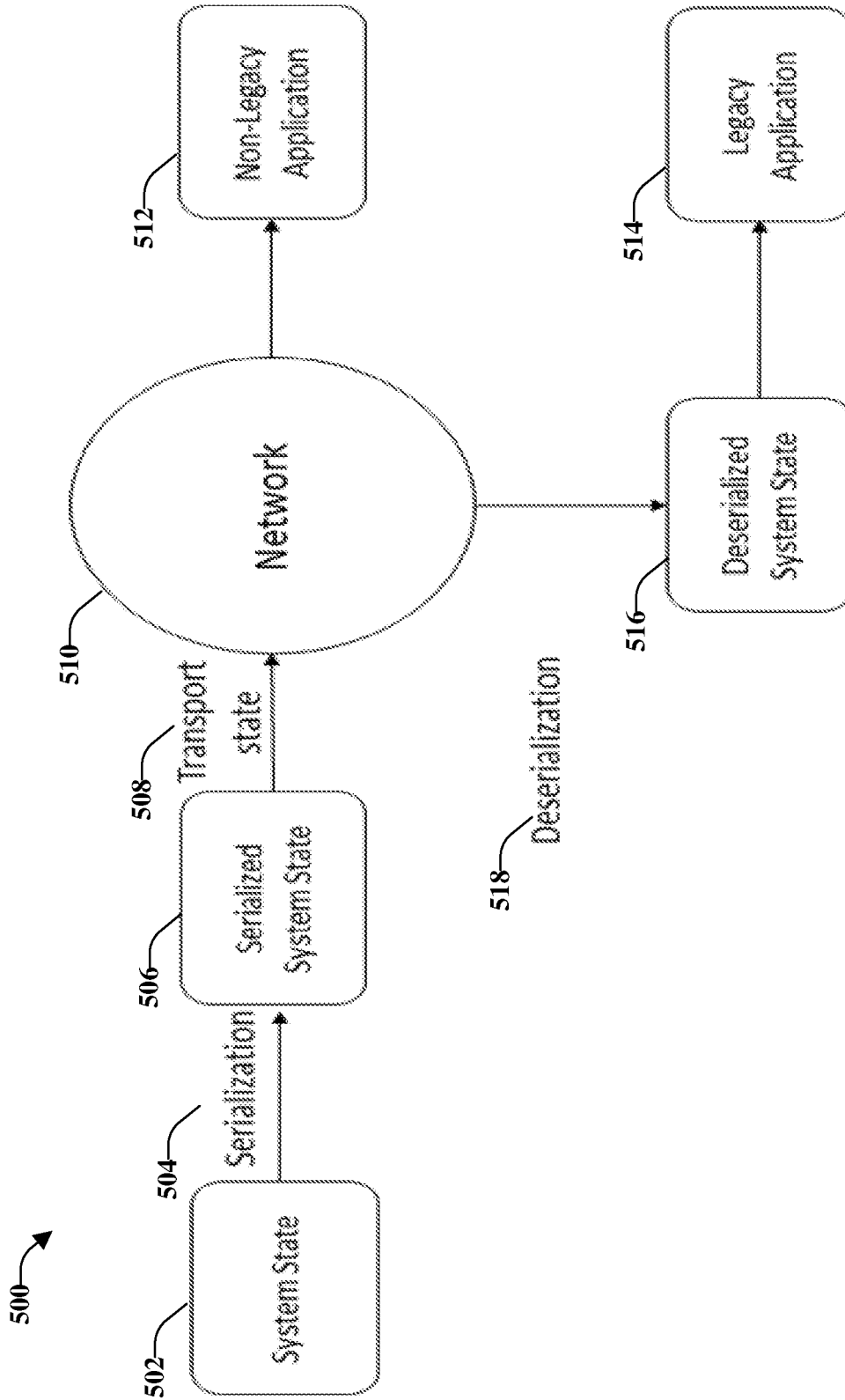
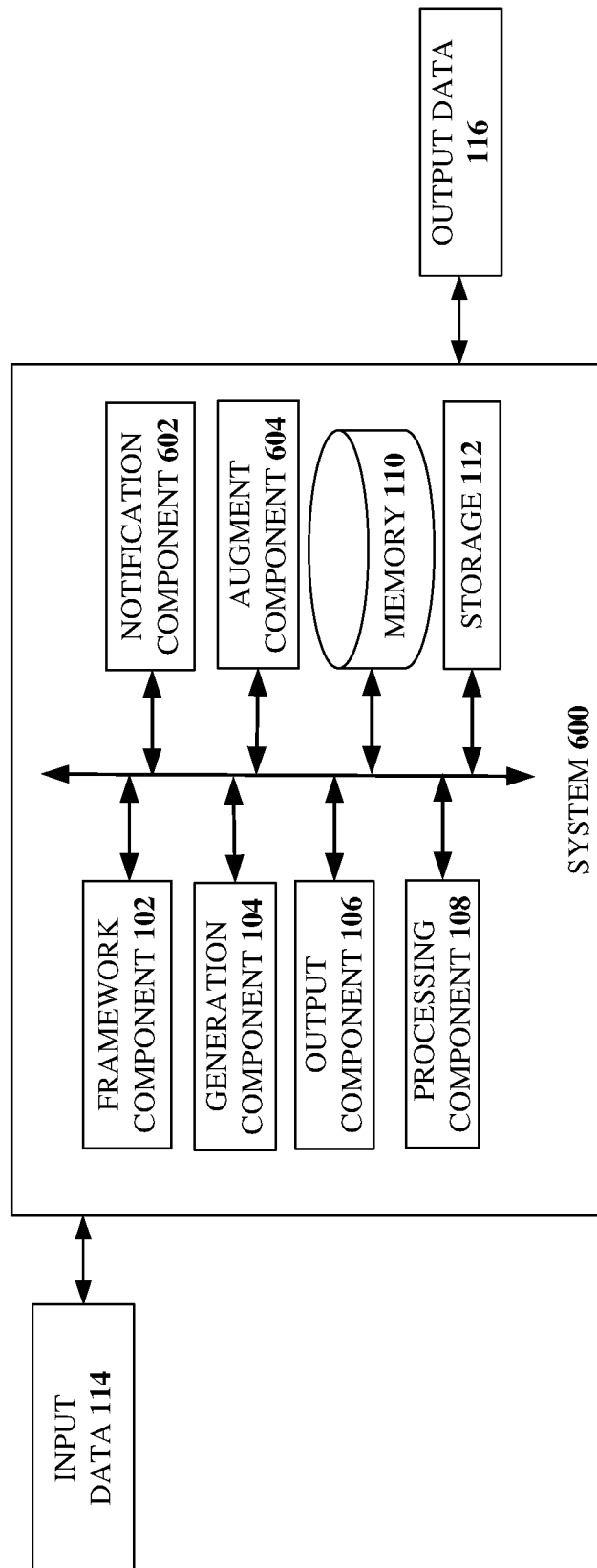


FIG. 5



**FIG. 6**

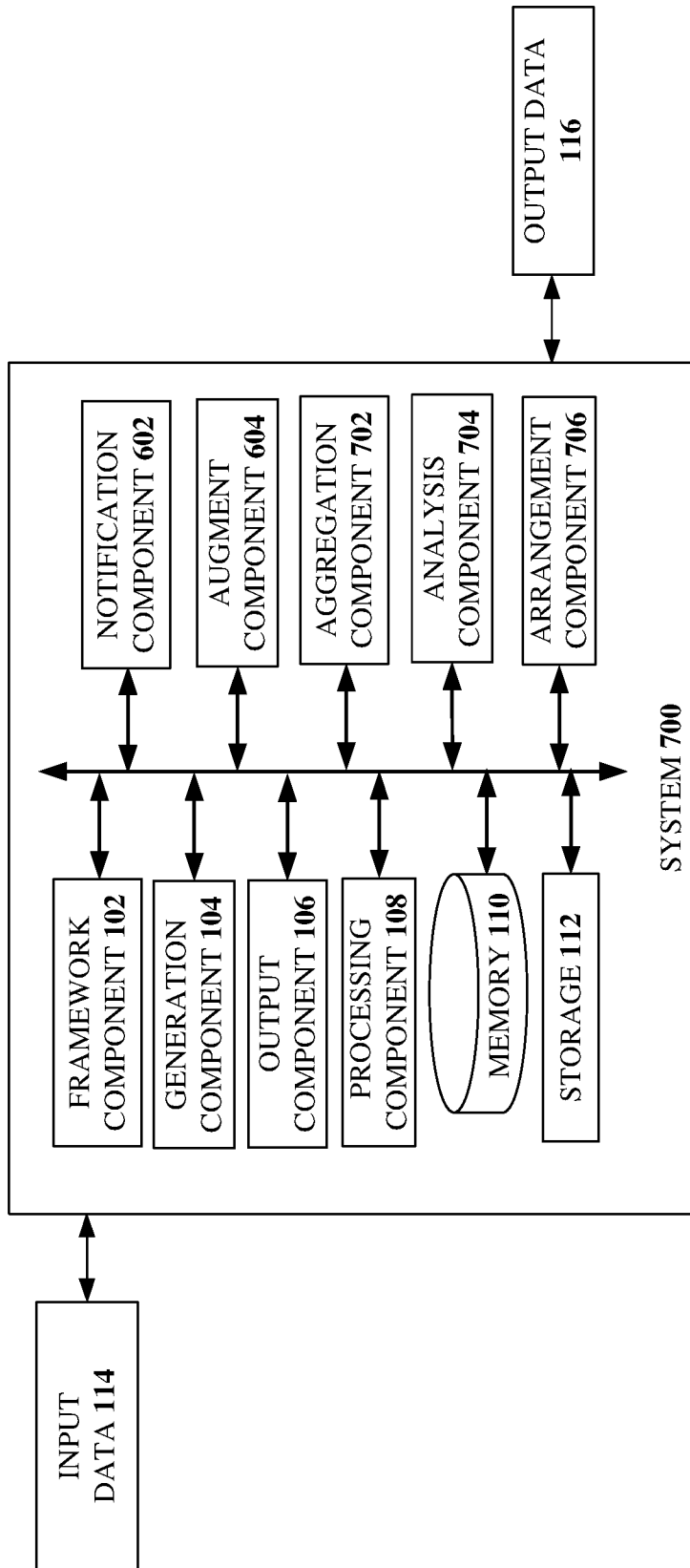
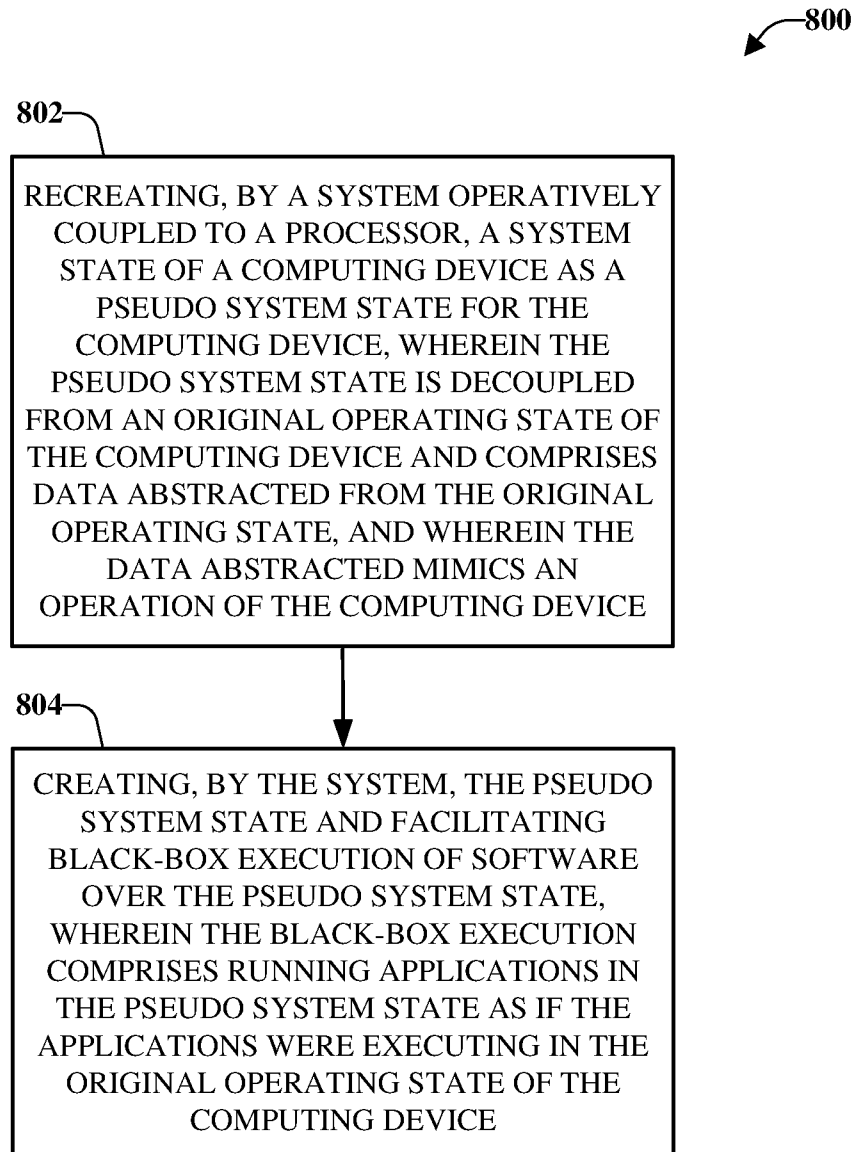
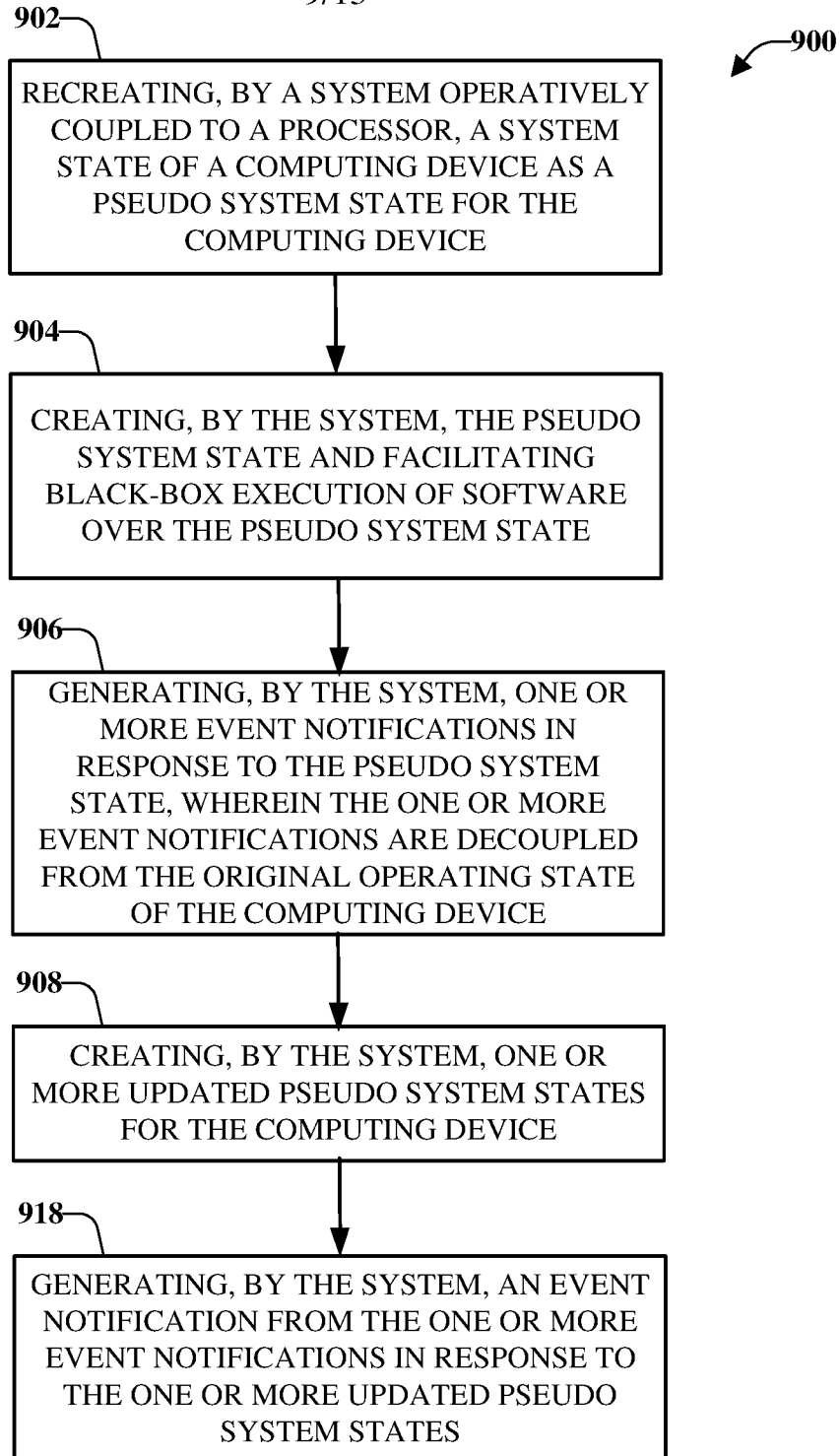


FIG. 7

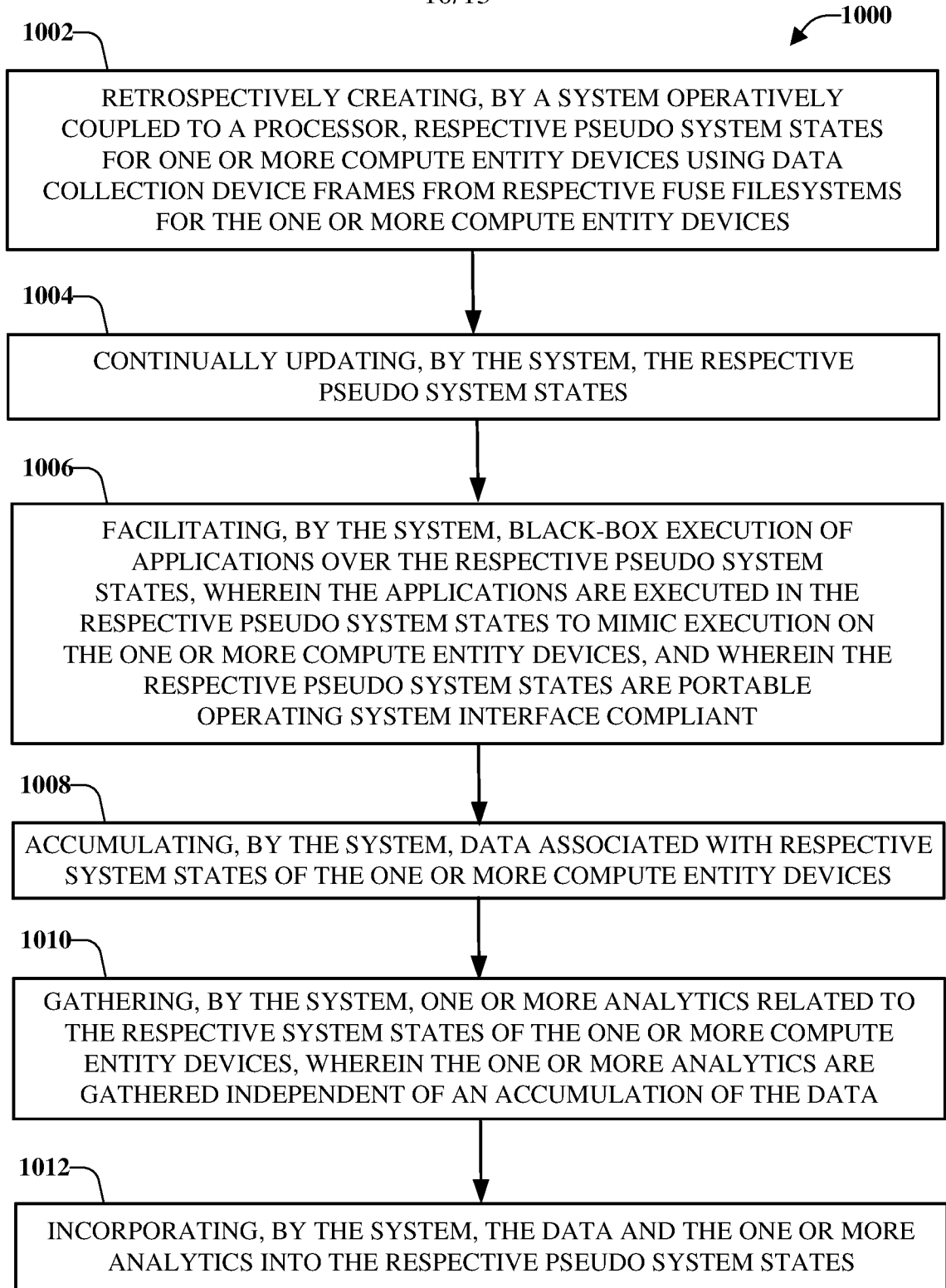
**FIG. 8**

9/13



**FIG. 9**

10/13



**FIG. 10**

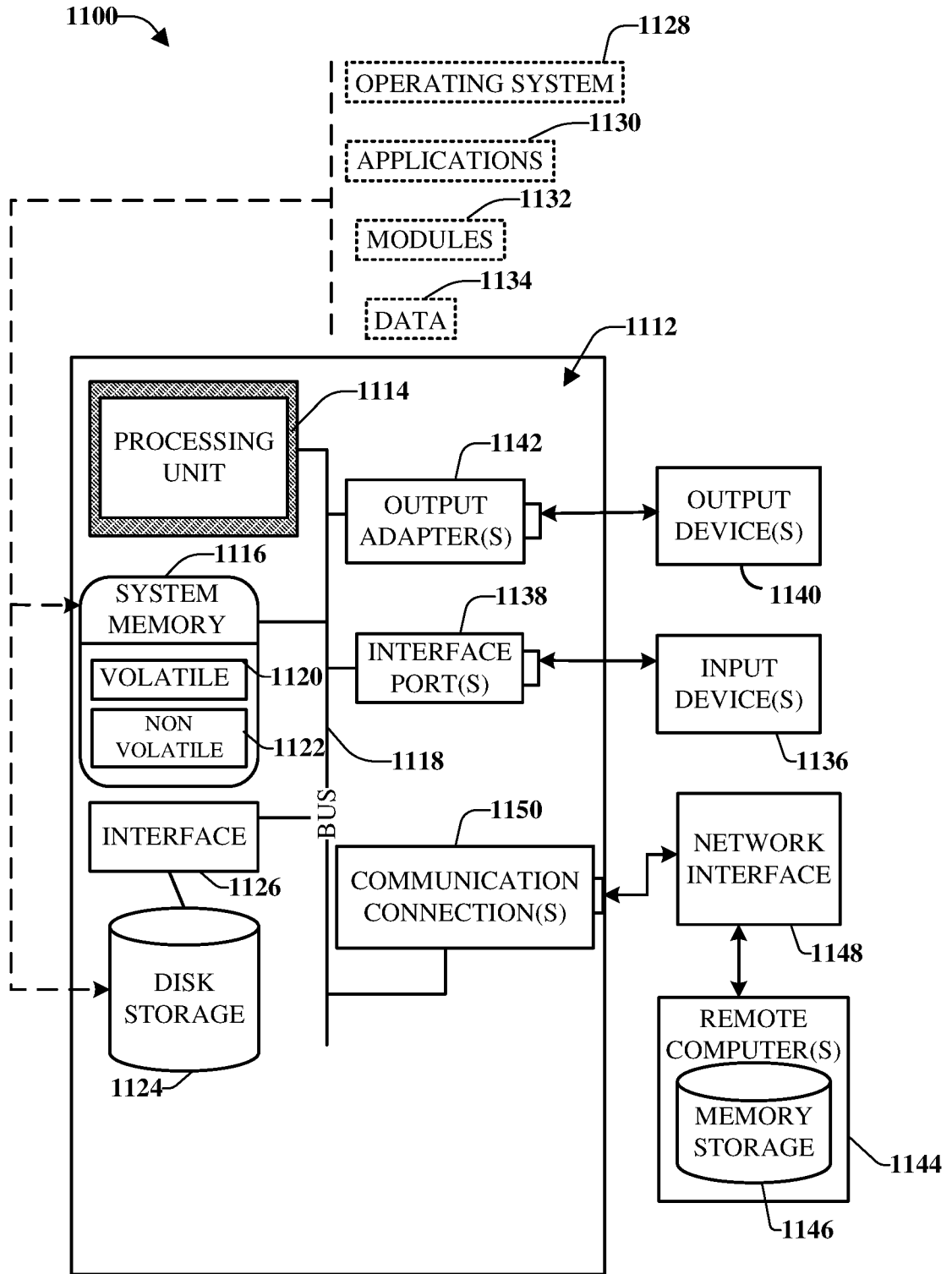


FIG. 11

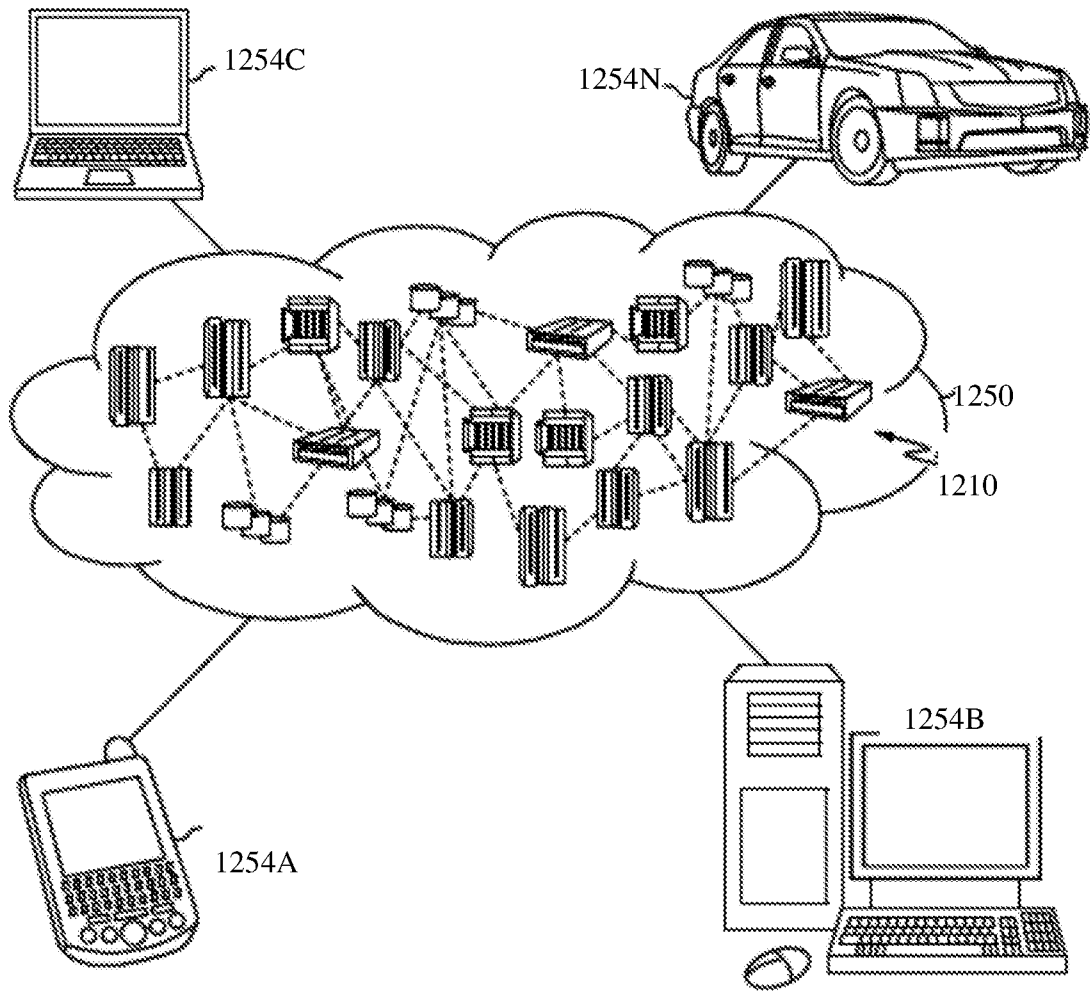


FIG. 12

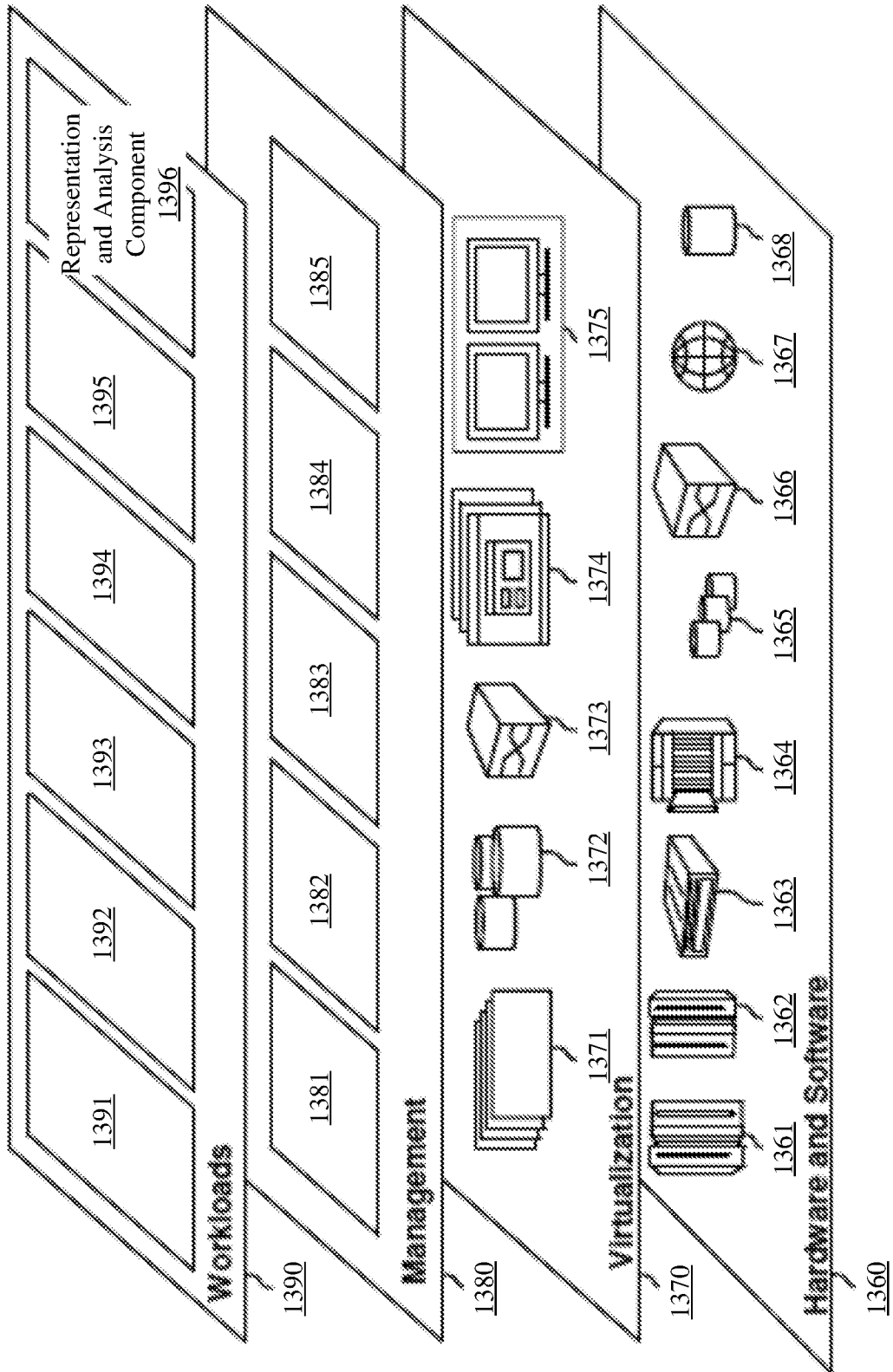


FIG. 13

## INTERNATIONAL SEARCH REPORT

International application No.

PCT/IB2018/058785

<b>A. CLASSIFICATION OF SUBJECT MATTER</b>		
G06F 9/455(2006.01)i; G06F 9/46(2006.01)i		
According to International Patent Classification (IPC) or to both national classification and IPC		
<b>B. FIELDS SEARCHED</b>		
Minimum documentation searched (classification system followed by classification symbols)		
G06F		
Documentation searched other than minimum documentation to the extent that such documents are included in the fields searched		
Electronic data base consulted during the international search (name of data base and, where practicable, search terms used)		
DATABASES: VEN, DWPI, CNABS, SIPOABS, CNKI; KEYWORDS: system, state, status, pseudo, mimic, simulate, software, application, program, black box, execution, update, file, fuse, common		
<b>C. DOCUMENTS CONSIDERED TO BE RELEVANT</b>		
Category*	Citation of document, with indication, where appropriate, of the relevant passages	Relevant to claim No.
A	CN 101271401 A (UNIV BEIJING AERONAUTICS & ASTRONAUTICS) 24 September 2008 (2008-09-24) the whole document	1-24
A	US 2015301848 A1 (INTERNATIONAL BUSINESS MACHINES CORP) 22 October 2015 (2015-10-22) the whole document	1-24
A	CN 101782861 A (HUAWEI DEVICE CO LTD) 21 July 2010 (2010-07-21) the whole document	1-24
<input type="checkbox"/> Further documents are listed in the continuation of Box C. <input checked="" type="checkbox"/> See patent family annex.		
<p>* Special categories of cited documents:</p> <p>“A” document defining the general state of the art which is not considered to be of particular relevance</p> <p>“E” earlier application or patent but published on or after the international filing date</p> <p>“L” document which may throw doubts on priority claim(s) or which is cited to establish the publication date of another citation or other special reason (as specified)</p> <p>“O” document referring to an oral disclosure, use, exhibition or other means</p> <p>“P” document published prior to the international filing date but later than the priority date claimed</p> <p>“T” later document published after the international filing date or priority date and not in conflict with the application but cited to understand the principle or theory underlying the invention</p> <p>“X” document of particular relevance; the claimed invention cannot be considered novel or cannot be considered to involve an inventive step when the document is taken alone</p> <p>“Y” document of particular relevance; the claimed invention cannot be considered to involve an inventive step when the document is combined with one or more other such documents, such combination being obvious to a person skilled in the art</p> <p>“&amp;” document member of the same patent family</p>		
Date of the actual completion of the international search		Date of mailing of the international search report
13 February 2019		27 February 2019
Name and mailing address of the ISA/CN		Authorized officer
National Intellectual Property Administration, PRC 6, Xitucheng Rd., Jimen Bridge, Haidian District, Beijing 100088 China		LIU, Yuan
Facsimile No. (86-10)62019451		Telephone No. 62412079

**INTERNATIONAL SEARCH REPORT**  
**Information on patent family members**

International application No.

**PCT/IB2018/058785**

Patent document cited in search report			Publication date (day/month/year)	Patent family member(s)		Publication date (day/month/year)
CN	101271401	A	24 September 2008	None		
US	2015301848	A1	22 October 2015	US	9569246 B2	14 February 2017
				CN	104903859 A	09 September 2015
				CN	104903859 B	18 July 2017
				GB	2508433 A	04 June 2014
				DE	112013004344 T5	28 May 2015
				WO	2014087268 A1	12 June 2014
				JP	2016504673 A	12 February 2016
				JP	6099760 B2	22 March 2017
CN	101782861	A	21 July 2010	EP	2492810 A1	29 August 2012
				EP	2492810 A4	02 January 2013
				WO	2011076089 A1	30 June 2011
				KR	20120076381 A	09 July 2012
				US	2012246370 A1	27 September 2012
				IN	201204350 P4	04 October 2013
				JP	2013515293 A	02 May 2013