



US00D430165S

United States Patent [19]
Lee

[11] **Patent Number: Des. 430,165**
[45] **Date of Patent: ** Aug. 29, 2000**

[54] **CMS-CPU MONITOR SUPPORT**

[76] Inventor: **Khuay Hak Lee**, Blk 792, Yishun Ring Road #04-5448, Singapore 760792, Singapore

[**] Term: **14 Years**

[21] Appl. No.: **29/105,797**

[22] Filed: **Jun. 2, 1999**

[30] **Foreign Application Priority Data**

Dec. 14, 1998 [GB] United Kingdom 2079780

[51] **LOC (7) Cl.** **14-02**

[52] **U.S. Cl.** **D14/451**

[58] **Field of Search** D14/100, 114; D8/354, 373, 349, 363; 248/281.11, 278.1, 280.11, 917-920, 284.1, 285.1, 286.1; 361/680-686; D19/91; 348/837, 827

[56] **References Cited**

U.S. PATENT DOCUMENTS

Re. 34,266	6/1993	Schairbaum .	
D. 391,243	2/1998	Rosen	D14/114
D. 391,946	3/1998	Rosen	D14/114
D. 395,874	7/1998	Rosen	D14/114
4,869,564	9/1989	Lechman .	
5,125,727	6/1992	Lechman et al. .	

5,290,099	3/1994	Lechman .	
5,294,193	3/1994	Wegman .	
5,408,939	4/1995	Lechman .	
5,758,849	6/1998	Bui et al.	248/125.1

OTHER PUBLICATIONS

Amblin Design PTE Ltd. Brochure, 1996, 1 page.

Primary Examiner—Kay H. Chin

Attorney, Agent, or Firm—Harness, Dickey & Pierce, P.L.C.

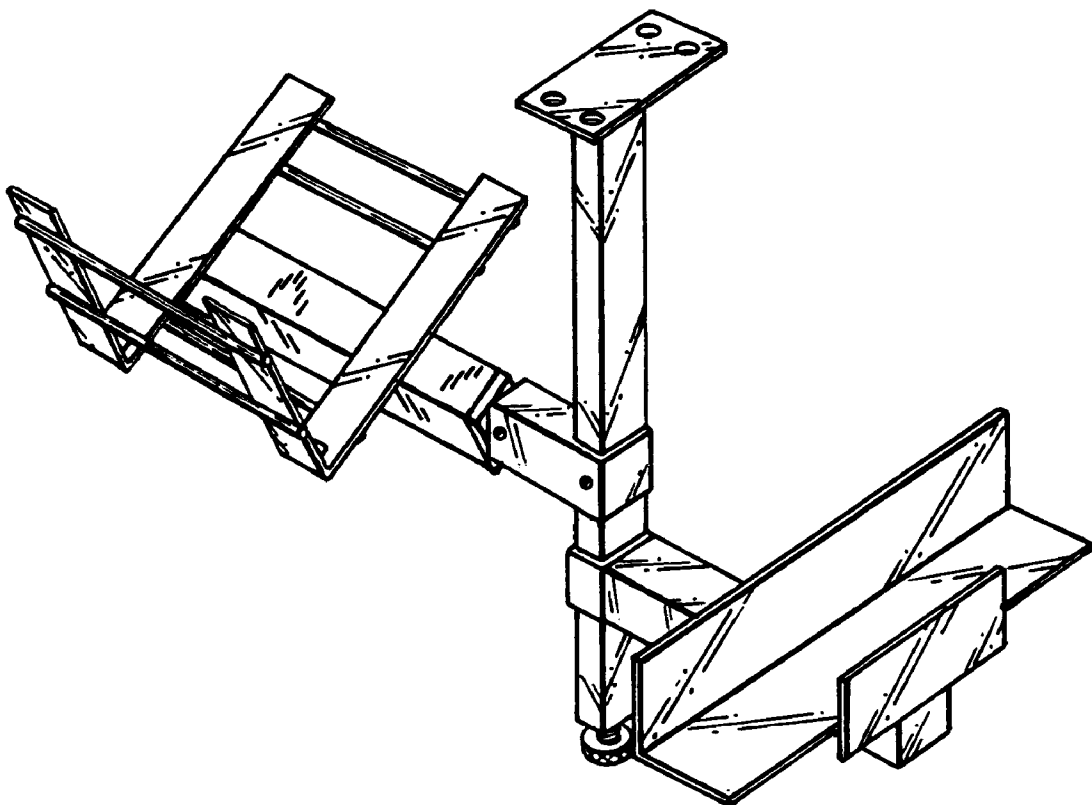
[57] **CLAIM**

The ornamental design for a CMS-CPU monitor support, as shown and described.

DESCRIPTION

FIG. 1 is a front elevational view of a CMS-CPU monitor support showing my new design; FIG. 2 is a rear elevational view thereof; FIG. 3 is a right side elevational view thereof; FIG. 4 is a left side elevational view thereof; FIG. 5 is a top plan view thereof; FIG. 6 is a bottom plan view thereof; FIG. 7 is a side perspective view thereof showing the monitor support pivoted and in a lowered position; and, FIG. 8 is a front perspective view thereof showing the monitor support in a pivoted position.

1 Claim, 4 Drawing Sheets



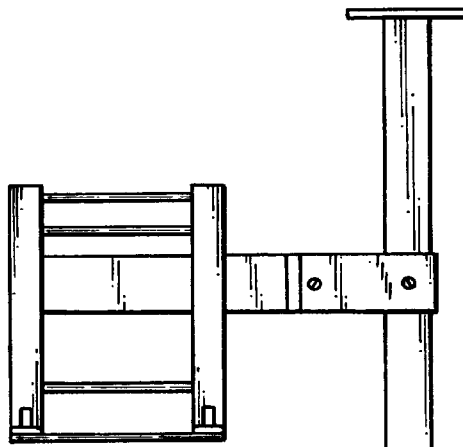


Fig. 1

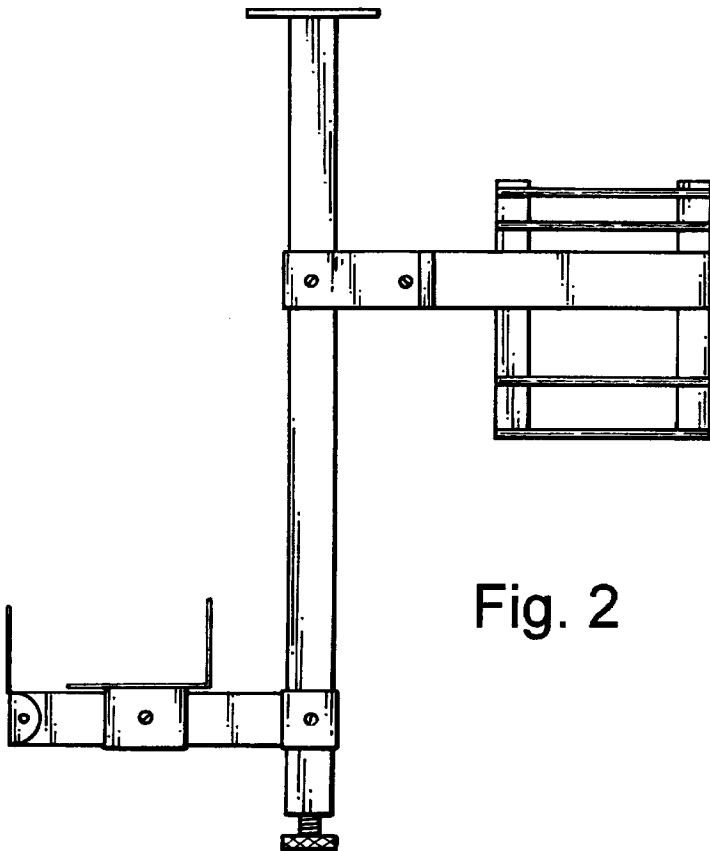
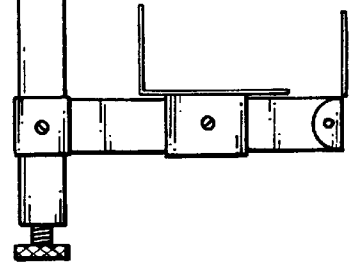


Fig. 2

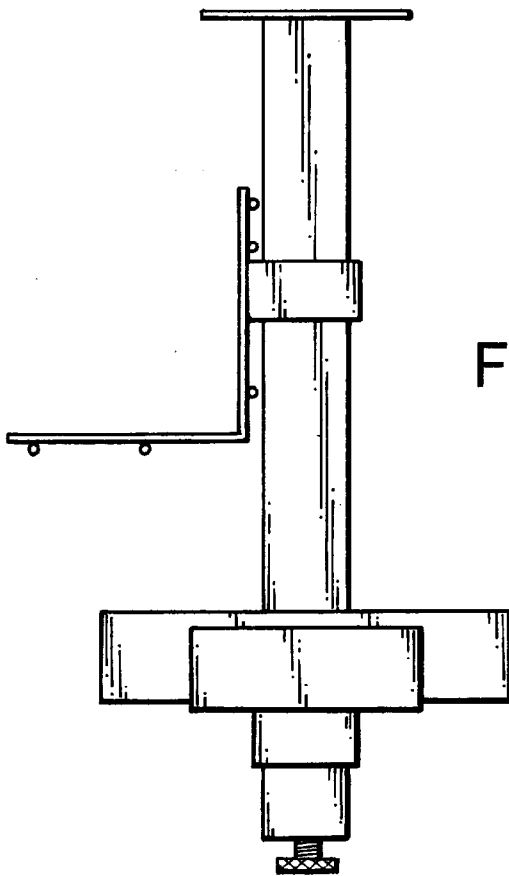


Fig. 3

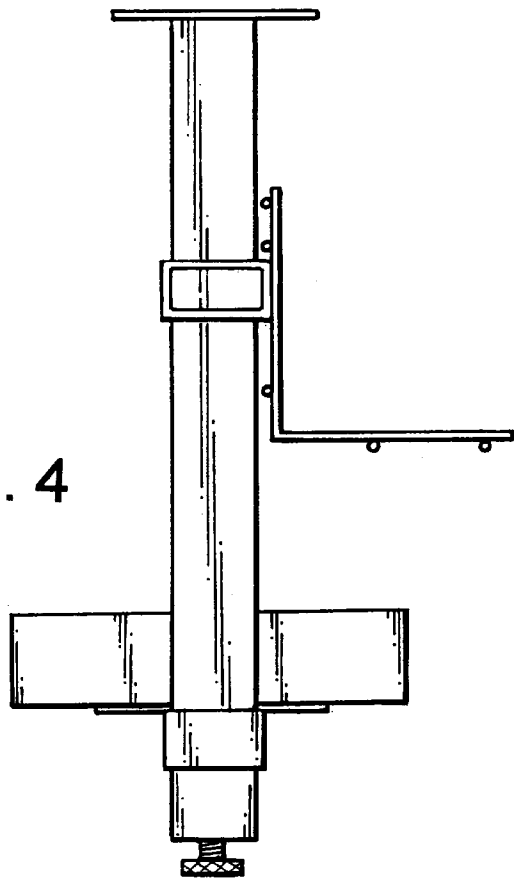


Fig. 4

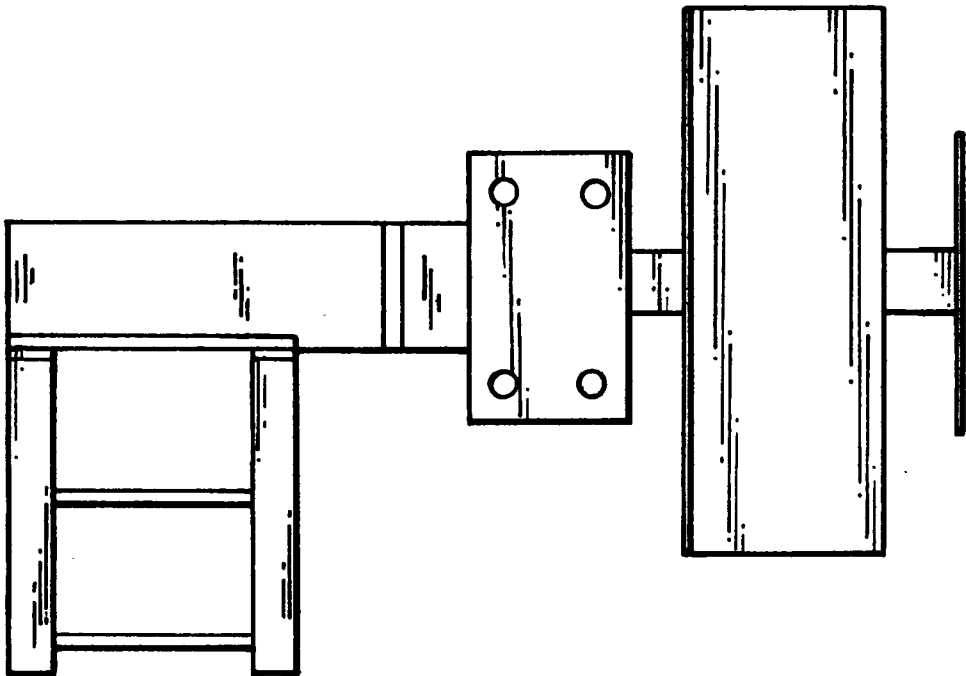


Fig. 5

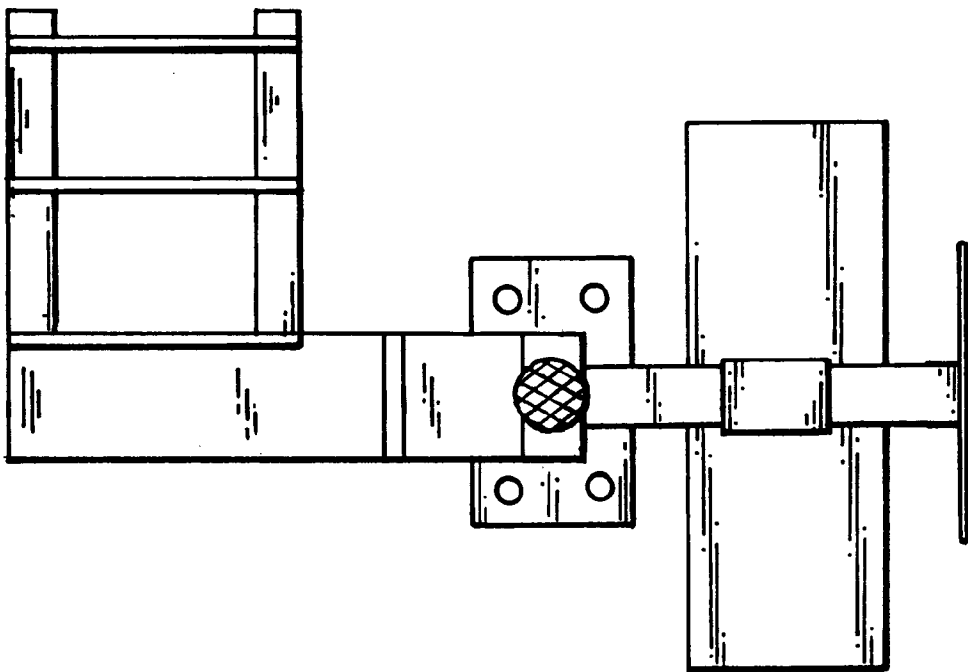


Fig. 6

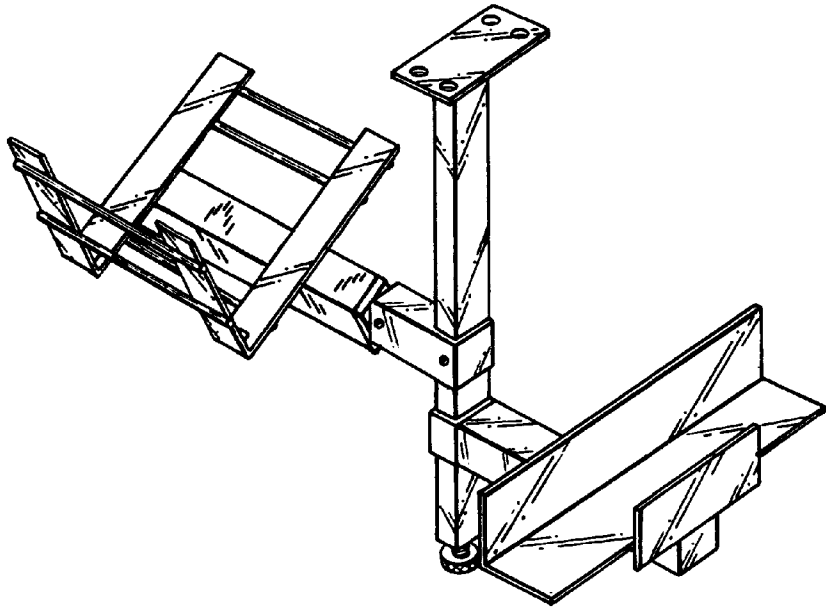


Fig. 7

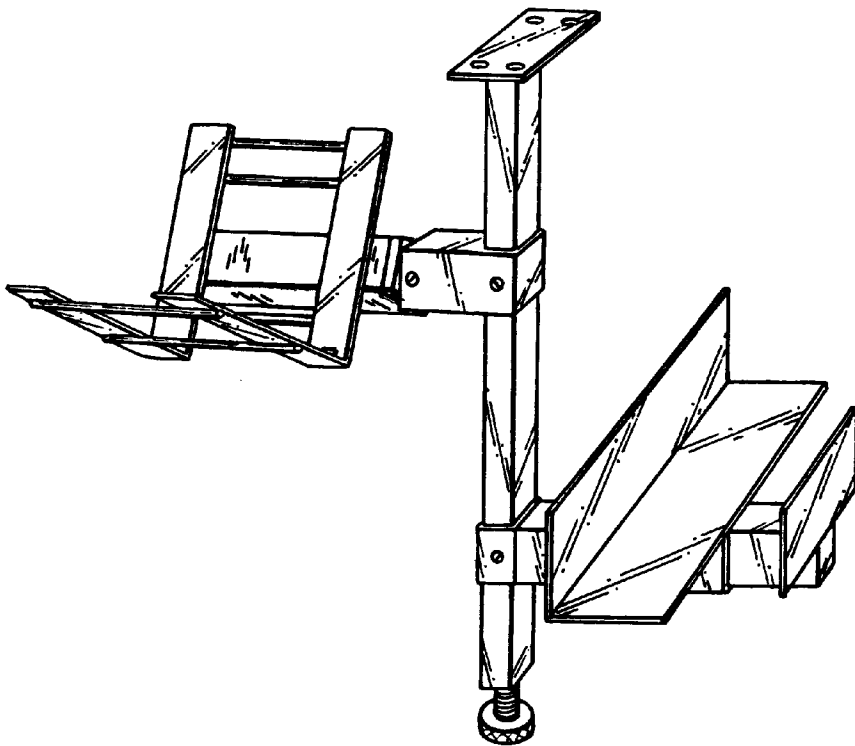


Fig. 8