



US0D1017296S

(12) **United States Design Patent**  
**Esteve Cambra**

(10) **Patent No.:** **US D1,017,296 S**

(45) **Date of Patent:** **\*\* Mar. 12, 2024**

(54) **TABLE**

(71) Applicant: **RH US, LLC**, Corte Madera, CA (US)

(72) Inventor: **Jose Ramón Esteve Cambra**, Valencia (ES)

(73) Assignee: **RH US, LLC**, Corte Madera, CA (US)

(\*\*) Term: **15 Years**

(21) Appl. No.: **29/766,551**

(22) Filed: **Jan. 15, 2021**

(51) **LOC (14) Cl.** ..... **06-03**

(52) **U.S. Cl.**  
USPC ..... **D6/691.1**

(58) **Field of Classification Search**  
USPC ..... D6/329, 335, 349, 361, 379, 381, 382,  
D6/675, 684, 685, 689, 691, 691.1, 691.8  
CPC ..... A47B 7/00; A47B 13/00; A47B 13/08  
See application file for complete search history.

(56) **References Cited**

**U.S. PATENT DOCUMENTS**

D710,135 S *	8/2014	Rasenberg	.....	D6/691.8
D716,085 S *	10/2014	Baylar	.....	D6/691.8
D734,078 S *	7/2015	Bougay	.....	D6/691.1
D739,670 S *	9/2015	Pedersen	.....	D6/691.1
D783,324 S *	4/2017	Akana	.....	D6/691.1
D784,739 S *	4/2017	Kidd	.....	D6/684
D833,189 S *	11/2018	Inovero	.....	D6/691.1
D835,927 S *	12/2018	Bougay	.....	D6/689
D853,160 S *	7/2019	Barber	.....	D6/691.1
D869,886 S *	12/2019	Inovero	.....	D6/691.1
D871,810 S *	1/2020	West	.....	D6/691.1
D873,060 S *	1/2020	Galiotto	.....	D6/691.8

(Continued)

**OTHER PUBLICATIONS**

“Ramon Esteve Malta Teak Outdoor Furniture.” Found online Dec. 2, 2023 at [www.thepinnaclelist.com](http://www.thepinnaclelist.com). Page archived Mar. 21, 2021.

Retrieved form URL: <https://web.archive.org/web/20210321213313/https://www.thepinnaclelist.com/articles/ramon-esteve-malta-teak-outdoor-furniture-by-restoration-hardware/> (Year: 2021).\*

(Continued)

*Primary Examiner* — Mary Ann Calabrese

*Assistant Examiner* — Katelin G Kloberg

(74) *Attorney, Agent, or Firm* — Lewis Roca Rothgerber Christie LLP

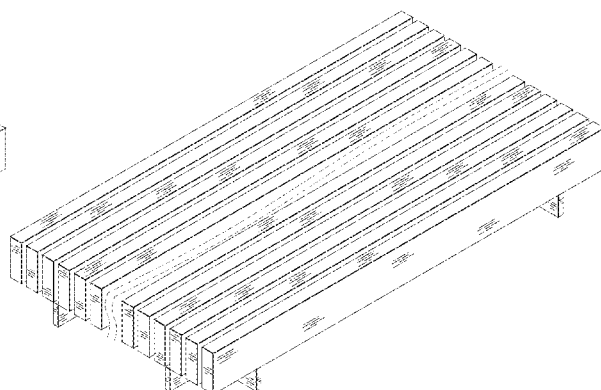
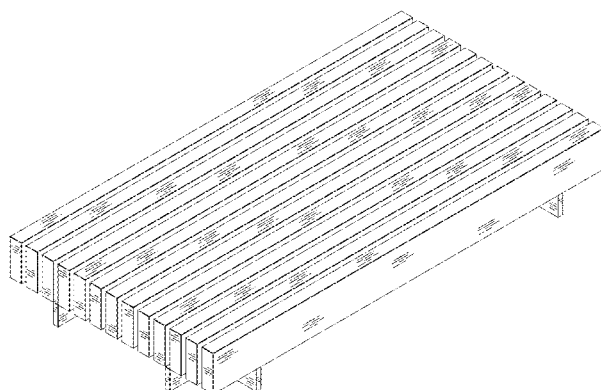
(57) **CLAIM**

The ornamental design for a table, as shown and described.

**DESCRIPTION**

FIG. 1 is a front left perspective view of a first embodiment of a table showing my new design;  
FIG. 2 is a left side elevation view thereof, the right side view being a mirror image;  
FIG. 3 is a front elevation view thereof the rear view being a mirror image;  
FIG. 4 is a top plan view thereof;  
FIG. 5 is a front left perspective view of a second embodiment of a table showing my new design;  
FIG. 6 is a left side elevation view thereof, the right side view being a mirror image;  
FIG. 7 is a front elevation view thereof the rear view being a mirror image;  
FIG. 8 is a top plan view thereof;  
FIG. 9 is a front left perspective view of a third embodiment of a table showing my new design;  
FIG. 10 is a left side elevation view thereof, the right side view being a mirror image;  
FIG. 11 is a front elevation view thereof the rear view being a mirror image; and,  
FIG. 12 is a top plan view thereof.  
FIGS. 5, 6, 8, 9, 11, and 12 include break lines and those portions of the article between the break lines form no part of the claimed design.

**1 Claim, 6 Drawing Sheets**



(56)

**References Cited**

U.S. PATENT DOCUMENTS

D887,152	S *	6/2020	Kuo .....	D6/381
D896,012	S *	9/2020	Birch .....	D6/691.1
D906,000	S *	12/2020	Hernandez .....	D6/382
D926,505	S *	8/2021	Akana .....	D6/691.1
D933,406	S *	10/2021	Xiao .....	D6/691.1
D943,323	S *	2/2022	Xiao .....	D6/689
D948,900	S *	4/2022	Massaud .....	D6/691.1
11,357,319	B1 *	6/2022	Tham .....	A47B 13/00
D958,556	S *	7/2022	Esteve Cambra .....	D6/361
D968,836	S *	11/2022	Esteve Cambra .....	D6/381
D974,791	S *	1/2023	Khodagholi .....	D6/381
D977,274	S *	2/2023	Khodagholi .....	D6/379
D977,287	S *	2/2023	Goel .....	D6/675
D1,003,067	S *	10/2023	Bian .....	D6/382
D1,004,351	S *	11/2023	Velez .....	D6/691.8

OTHER PUBLICATIONS

“Luxury Gommaire Rectangular Floor Coffee Table.” Found online Dec. 2, 2023 at [www.luxury-outdoor-living.co.uk](http://www.luxury-outdoor-living.co.uk). Page dated Oct. 19, 2020. Retrieved from URL: [https://luxury-outdoor-living.co.uk/?attachment\\_id=11762](https://luxury-outdoor-living.co.uk/?attachment_id=11762) (Year: 2020).\*

“Compamia Sky Patio Coffee Table.” Found online Dec. 2, 2023 at [www.amazon.com](http://www.amazon.com). Product first available Nov. 1, 2011. Retrieved from URL: <https://www.amazon.com/Lounge-Coffee-Table-Dove-Gray/dp/B07KSRP1Q3> (Year: 2011).\*

\* cited by examiner

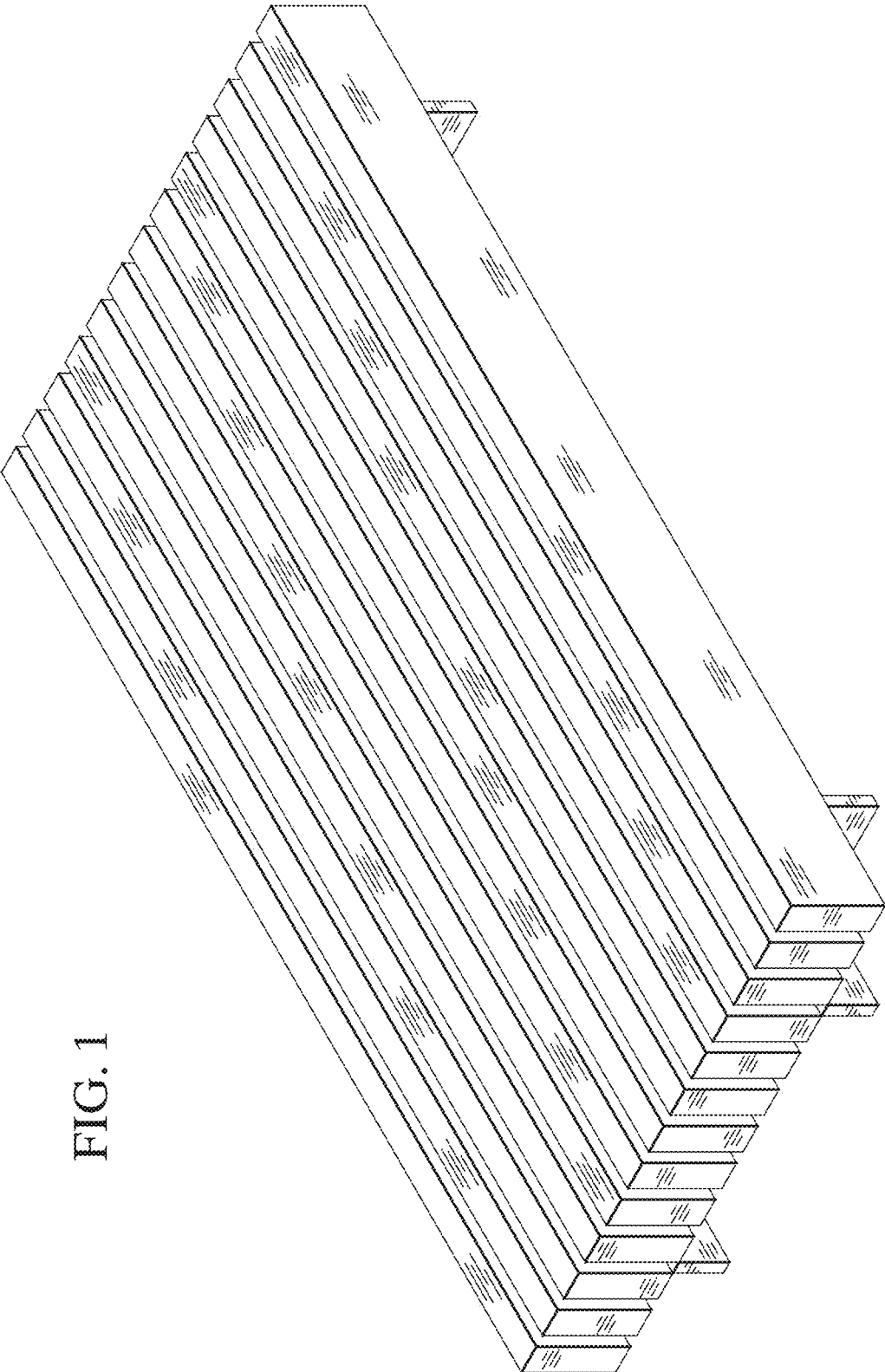


FIG. 1

FIG. 3

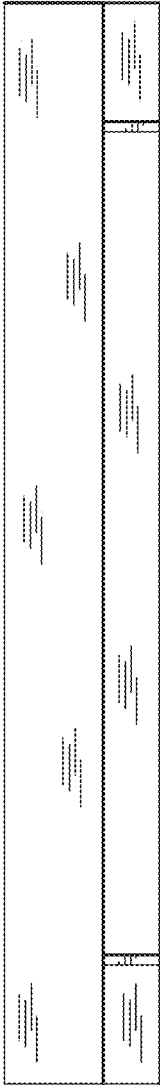


FIG. 4

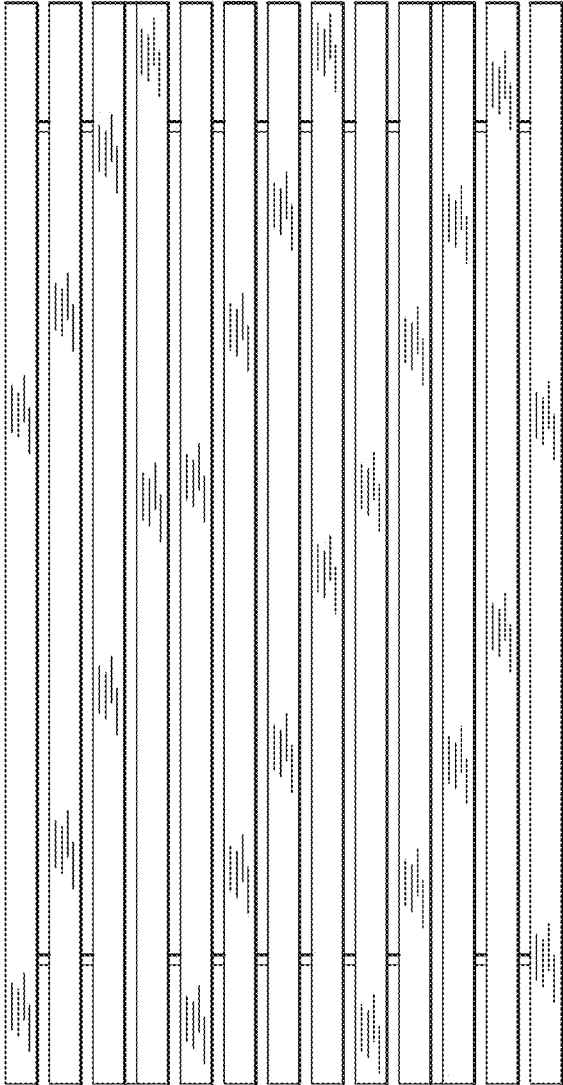
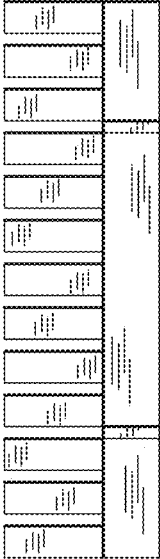


FIG. 2



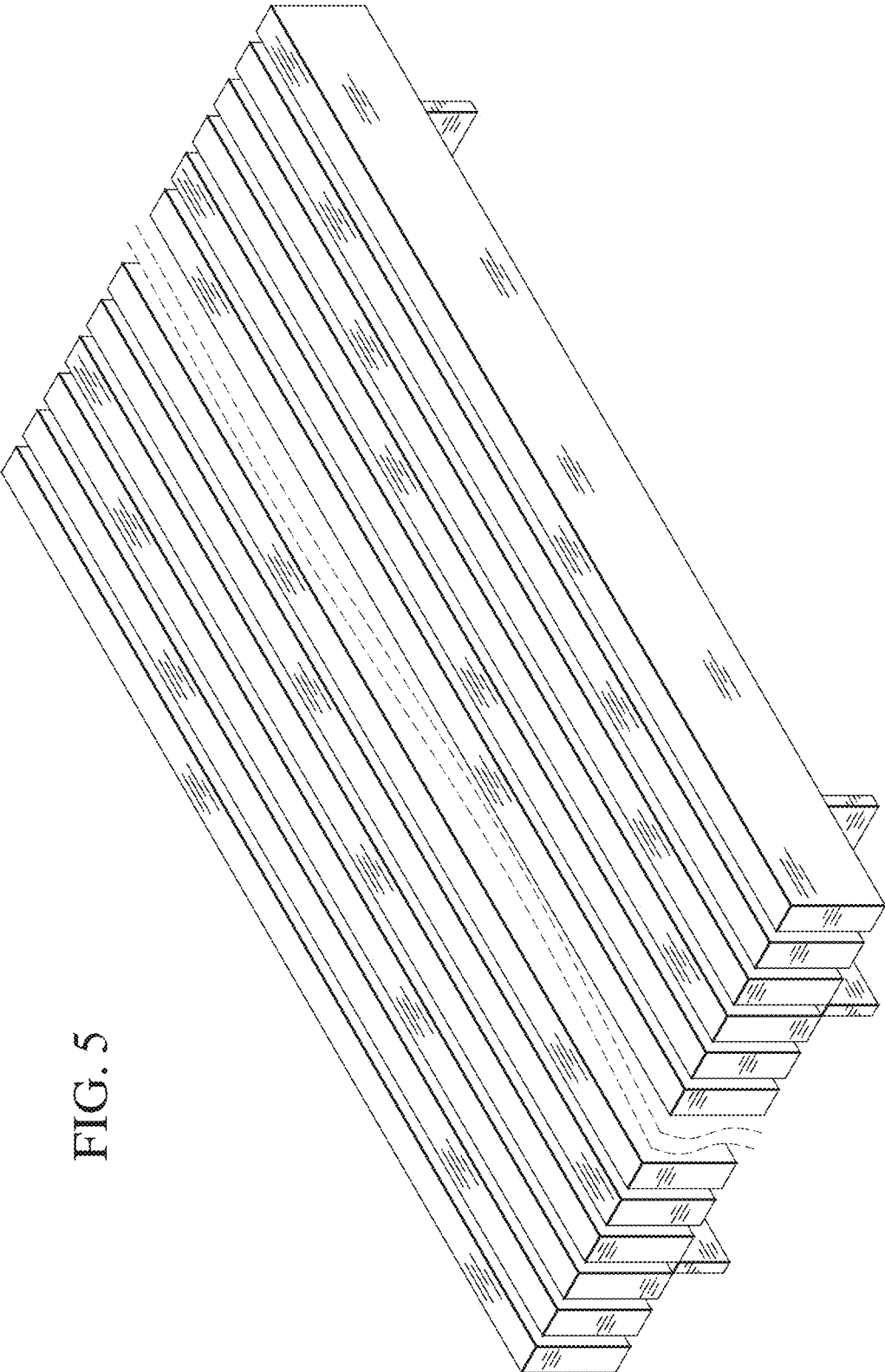


FIG. 5

FIG. 7

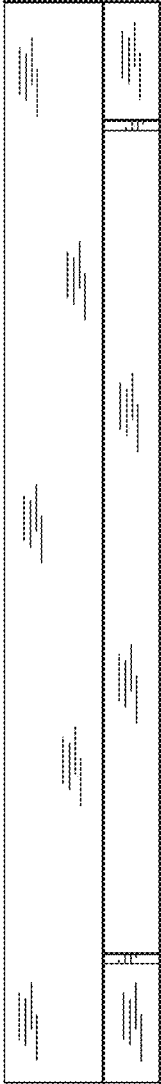


FIG. 8

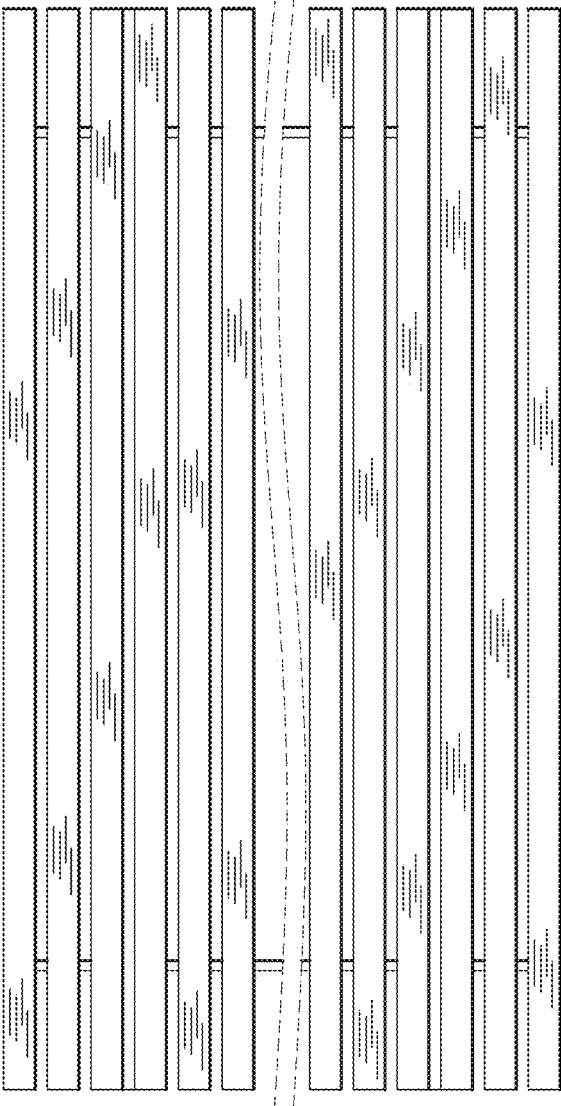
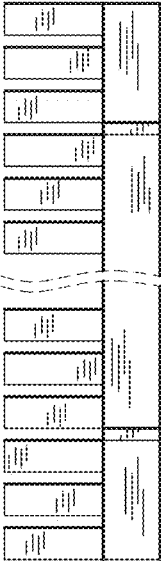


FIG. 6



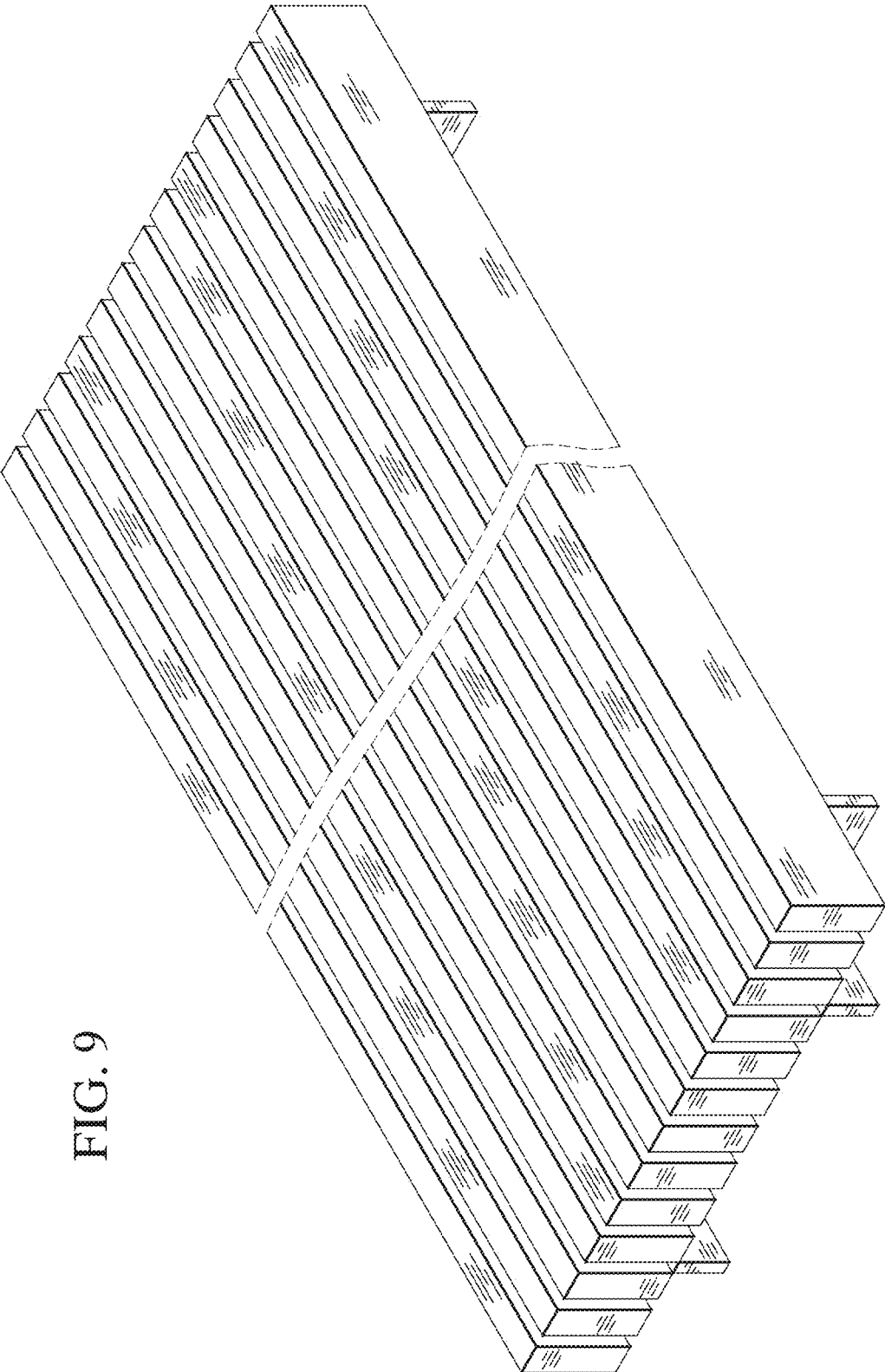


FIG. 9

FIG. 11

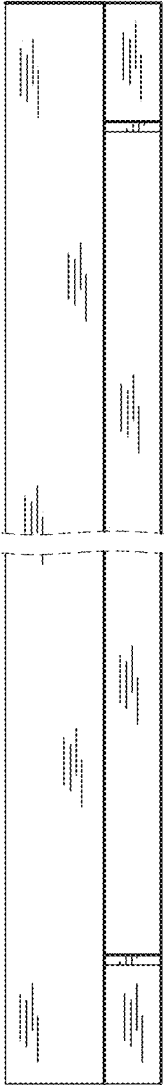


FIG. 12

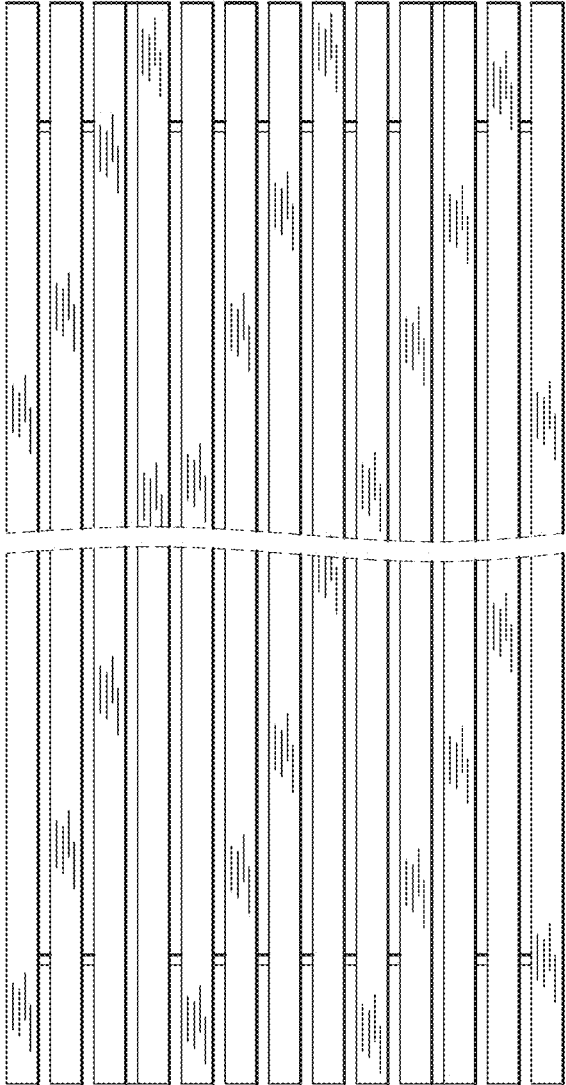


FIG. 10

