



- (51) International Patent Classification:  
*G11B 5/265* (2006.01)
- (21) International Application Number:  
PCT/IB2014/060706
- (22) International Filing Date:  
14 April 2014 (14.04.2014)
- (25) Filing Language: English
- (26) Publication Language: English
- (30) Priority Data:  
13/875,226 1 May 2013 (01.05.2013) US
- (71) Applicant: **INTERNATIONAL BUSINESS MACHINES CORPORATION** [US/US]; New Orchard Road, Armonk, New York 10504 (US).
- (71) Applicants (*for MG only*): **IBM UNITED KINGDOM LIMITED** [GB/GB]; PO Box 41, North Harbour, North Harbour, Portsmouth Hampshire PO6 3AU (GB). **IBM (CHINA) INVESTMENT COMPANY LIMITED** [CN/CN]; 25/F, Pangu Plaza, No.27, Central North 4th Ring Road, Chaoyang District, Beijing 100101 (CN).
- (72) Inventors: **BISKEBORN, Robert, Glenn**; IBM Corporation, MD LRC/013, 650 Harry Road, Almaden Research Center, San Jose, California 95120-6099 (US). **LO, Calvin, Shyhjong**; IBM Corporation, MD LRC/013, 650 Harry

Road, Almaden Research Center, San Jose, California 95120-6099 (US). **HERGET, Philipp**; IBM Corporation, 650 Harry Road, Almaden Research Center, San Jose, California 95120-6099 (US).

(74) Agent: **WILLIAMS, Julian**; IBM United Kingdom Limited, Intellectual Property Law, Hursley Park, Winchester Hampshire SO21 2JN (GB).

(81) Designated States (*unless otherwise indicated, for every kind of national protection available*): AE, AG, AL, AM, AO, AT, AU, AZ, BA, BB, BG, BH, BN, BR, BW, BY, BZ, CA, CH, CL, CN, CO, CR, CU, CZ, DE, DK, DM, DO, DZ, EC, EE, EG, ES, FI, GB, GD, GE, GH, GM, GT, HN, HR, HU, ID, IL, IN, IR, IS, JP, KE, KG, KN, KP, KR, KZ, LA, LC, LK, LR, LS, LT, LU, LY, MA, MD, ME, MG, MK, MN, MW, MX, MY, MZ, NA, NG, NI, NO, NZ, OM, PA, PE, PG, PH, PL, PT, QA, RO, RS, RU, RW, SA, SC, SD, SE, SG, SK, SL, SM, ST, SV, SY, TH, TJ, TM, TN, TR, TT, TZ, UA, UG, US, UZ, VC, VN, ZA, ZM, ZW.

(84) Designated States (*unless otherwise indicated, for every kind of regional protection available*): ARIPO (BW, GH, GM, KE, LR, LS, MW, MZ, NA, RW, SD, SL, SZ, TZ, UG, ZM, ZW), Eurasian (AM, AZ, BY, KG, KZ, RU, TJ, TM), European (AL, AT, BE, BG, CH, CY, CZ, DE, DK, EE, ES, FI, FR, GB, GR, HR, HU, IE, IS, IT, LT, LU, LV, MC, MK, MT, NL, NO, PL, PT, RO, RS, SE, SI, SK, SM,

[Continued on next page]

(54) Title: MAGNETIC HEAD AND SYSTEM HAVING OFFSET ARRAYS

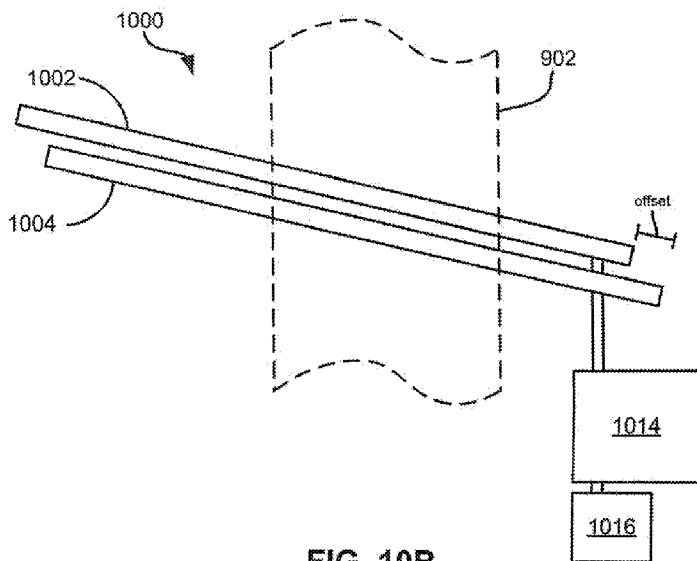
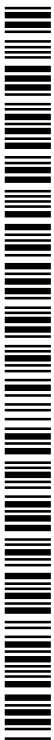


FIG. 10B

(57) Abstract: In one general embodiment, an apparatus includes at least two modules, each of the modules having an array of transducers, wherein the at least two modules are fixed relative to each other, wherein an axis of each array is defined between opposite ends thereof, wherein the axes of the arrays are oriented about parallel to each other, wherein the array of a first of the modules is offset from the array of a second of the modules in a first direction parallel to the axis of the array of the second module such that the transducers of the first module are about aligned with the transducers of the second module in an intended direction of tape travel thereacross; and a mechanism for orienting the modules about an axis orthogonal to the plane in which the arrays reside to control a transducer pitch presented to a tape.





TR), OAPI (BF, BJ, CF, CG, CI, CM, GA, GN, GQ, GW, KM, ML, MR, NE, SN, TD, TG).

— *before the expiration of the time limit for amending the claims and to be republished in the event of receipt of amendments (Rule 48.2(h))*

**Published:**

— *with international search report (Art. 21(3))*

**(88) Date of publication of the international search report:**

5 March 2015

## INTERNATIONAL SEARCH REPORT

International application No.

PCT/IB2014/060706

| <b>A. CLASSIFICATION OF SUBJECT MATTER</b>   |   |  |
|--|---|--|
| G11B 5/265(2006.01)i   |   |  |
| According to International Patent Classification (IPC) or to both national classification and IPC  |   |  |
| <b>B. FIELDS SEARCHED</b>  |   |  |
| Minimum documentation searched (classification system followed by classification symbols)  |   |  |
| G11B5  |   |  |
| Documentation searched other than minimum documentation to the extent that such documents are included in the fields searched                        |   |  |
| Electronic data base consulted during the international search (name of data base and, where practicable, search terms used)                         |   |  |
| CNKI, CNABS, CNTXT, VEN:tape, magnetic head, track, array, module, transducer, parallel  |   |  |
| <b>C. DOCUMENTS CONSIDERED TO BE RELEVANT</b>  |   |  |
| Category*  | Citation of document, with indication, where appropriate, of the relevant passages  | Relevant to claim No.  |
| A  | CN 101202050 A (INT BUSINESS MACHINES CORP) 18 June 2008 (2008-06-18)<br>description page 8 line 16 to page 9 line 8, figure 11                                     | 1-15   |
| A  | CN 1920954 A (INT BUSINESS MACHINES CORP) 28 February 2007 (2007-02-28)<br>the whole document   | 1-15   |
| A  | CN 101149931 A (INT BUSINESS MACHINES CORP) 26 March 2008 (2008-03-26)<br>the whole document  | 1-15   |
| <input type="checkbox"/> Further documents are listed in the continuation of Box C. <input checked="" type="checkbox"/> See patent family annex.     |   |  |
| * Special categories of cited documents:   |   |  |
| “A”  | document defining the general state of the art which is not considered to be of particular relevance  | “T” later document published after the international filing date or priority date and not in conflict with the application but cited to understand the principle or theory underlying the invention  |
| “E”  | earlier application or patent but published on or after the international filing date   | “X” document of particular relevance; the claimed invention cannot be considered novel or cannot be considered to involve an inventive step when the document is taken alone   |
| “L”  | document which may throw doubts on priority claim(s) or which is cited to establish the publication date of another citation or other special reason (as specified) | “Y” document of particular relevance; the claimed invention cannot be considered to involve an inventive step when the document is combined with one or more other such documents, such combination being obvious to a person skilled in the art |
| “O”  | document referring to an oral disclosure, use, exhibition or other means  | “&” document member of the same patent family  |
| “P”  | document published prior to the international filing date but later than the priority date claimed  |  |
| Date of the actual completion of the international search  | Date of mailing of the international search report  |  |
| <b>14 January 2015</b>   | <b>21 January 2015</b>  |  |
| Name and mailing address of the ISA/CN   | Authorized officer  |  |
| <b>STATE INTELLECTUAL PROPERTY OFFICE OF THE<br/>P.R.CHINA(ISA/CN)<br/>6,Xitucheng Rd., Jimen Bridge, Haidian District, Beijing<br/>100088 China</b> | <b>LIU,Xiaohua</b>  |  |
| Facsimile No. (86-10)62019451  | Telephone No. (86-10)62089142   |  |

**INTERNATIONAL SEARCH REPORT**  
**Information on patent family members**

International application No.

**PCT/IB2014/060706**

| Patent document cited in search report |           |   | Publication date (day/month/year) | Patent family member(s) |            |    | Publication date (day/month/year) |
|--|-----------|---|-----------------------------------|-------------------------|------------|----|-----------------------------------|
| CN                                     | 101202050 | A | 18 June 2008                      | US                      | 7480117    | B2 | 20 January 2009                   |
|  |           |   |                                   | CN                      | 101202050  | B  | 08 December 2010                  |
|  |           |   |                                   | US                      | 2009027803 | A1 | 29 January 2009                   |
|  |           |   |                                   | US                      | 2008137235 | A1 | 12 June 2008                      |
|  |           |   |                                   | JP                      | 2008146818 | A  | 26 June 2008                      |
|  |           |   |                                   | JP                      | 5043615    | B2 | 10 October 2012                   |
| CN                                     | 1920954   | A | 28 February 2007                  | US                      | 7681793    | B2 | 23 March 2010                     |
|  |           |   |                                   | US                      | 2007047146 | A1 | 01 March 2007                     |
|  |           |   |                                   | US                      | 2008285167 | A1 | 20 November 2008                  |
|  |           |   |                                   | US                      | 7766236    | B2 | 03 August 2010                    |
|  |           |   |                                   | CN                      | 1920954    | B  | 15 December 2010                  |
| CN                                     | 101149931 | A | 26 March 2008                     | US                      | 2008068750 | A1 | 20 March 2008                     |
|  |           |   |                                   | US                      | 8130467    | B2 | 06 March 2012                     |
|  |           |   |                                   | US                      | 2010110587 | A1 | 06 May 2010                       |
|  |           |   |                                   | CN                      | 101149931  | B  | 14 November 2012                  |