



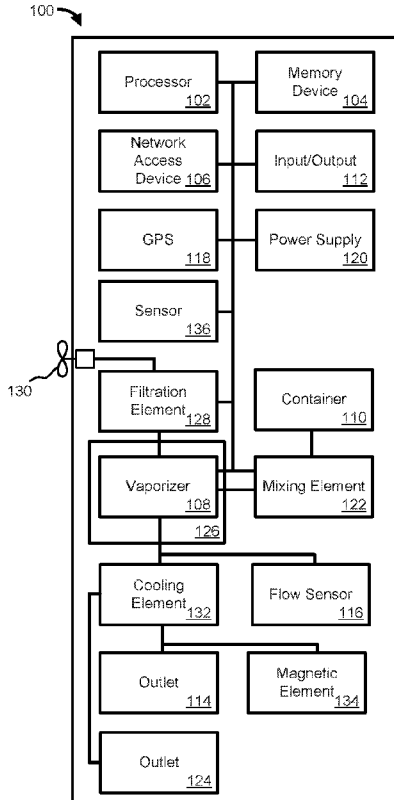
- (51) **International Patent Classification:**
A24F 47/00 (2006.01) A61N 1/00 (2006.01)
A61M 15/00 (2006.01)
- (21) **International Application Number:**
PCT/US2016/032714
- (22) **International Filing Date:**
16 May 2016 (16.05.2016)
- (25) **Filing Language:** English
- (26) **Publication Language:** English
- (30) **Priority Data:**
62/162,602 15 May 2015 (15.05.2015) US
- (72) **Inventor; and**
- (71) **Applicant :** CAMERON, John [US/US]; 11345 Ventura Blvd., Studio City, CA 91604 (US).
- (74) **Agents:** BROWN, Charley, F. et al.; Ballard Spahr LLP, 999 Peachtree Street, Suite 1000, Atlanta, GA 30309 (US).

- (81) **Designated States** (unless otherwise indicated, for every kind of national protection available): AE, AG, AL, AM, AO, AT, AU, AZ, BA, BB, BG, BH, BN, BR, BW, BY, BZ, CA, CH, CL, CN, CO, CR, CU, CZ, DE, DK, DM, DO, DZ, EC, EE, EG, ES, FI, GB, GD, GE, GH, GM, GT, HN, HR, HU, ID, IL, IN, IR, IS, JP, KE, KG, KN, KP, KR, KZ, LA, LC, LK, LR, LS, LU, LY, MA, MD, ME, MG, MK, MN, MW, MX, MY, MZ, NA, NG, NI, NO, NZ, OM, PA, PE, PG, PH, PL, PT, QA, RO, RS, RU, RW, SA, SC, SD, SE, SG, SK, SL, SM, ST, SV, SY, TH, TJ, TM, TN, TR, TT, TZ, UA, UG, US, UZ, VC, VN, ZA, ZM, ZW.
- (84) **Designated States** (unless otherwise indicated, for every kind of regional protection available): ARIPO (BW, GH, GM, KE, LR, LS, MW, MZ, NA, RW, SD, SL, ST, SZ, TZ, UG, ZM, ZW), Eurasian (AM, AZ, BY, KG, KZ, RU, TJ, TM), European (AL, AT, BE, BG, CH, CY, CZ, DE, DK, EE, ES, FI, FR, GB, GR, HR, HU, IE, IS, IT, LT, LU, LV, MC, MK, MT, NL, NO, PL, PT, RO, RS, SE, SI, SK,

[Continued on next page]

(54) **Title:** REMOTE ACCESS AUTHORIZATION FOR USE OF VAPOR DEVICE

FIG. 1



(57) **Abstract:** An electronic vapor device is disclosed comprising a vapor outlet, a first container for storing a first vaporizable material, wherein the first container is permanently integrated into the electronic vapor device, a second container for storing a second vaporizable material, wherein the second container is removable from the electronic vapor device, a docking bay configured to receive the second container, wherein the second container is removed from or inserted into the docking bay through a door, and a vaporizer component configured for vaporizing the first vaporizable material or the second vaporizable material to generate a vapor and for providing the vapor to the vapor outlet.

WO 2016/187123 A3



SM, TR), OAPI (BF, BJ, CF, CG, CI, CM, GA, GN, GQ,
GW, KM, ML, MR, NE, SN, TD, TG).

— *before the expiration of the time limit for amending the
claims and to be republished in the event of receipt of
amendments (Rule 48.2(h))*

Published:

— *with international search report (Art. 21(3))*

(88) Date of publication of the international search report:

23 March 2017

INTERNATIONAL SEARCH REPORT

International application No.

PCT/US2016/032714

A. CLASSIFICATION OF SUBJECT MATTER
 IPC(8) - A24F 47/00; A61M 15/00; A61N 1/00 (2016.01)
 CPC - A24F 1/00; A24F 1/32; A24F 11/00 (2016.05)
 According to International Patent Classification (IPC) or to both national classification and IPC

B. FIELDS SEARCHED

Minimum documentation searched (classification system followed by classification symbols)

IPC - A24F 47/00; A61M 15/00; A61N 1/00
 CPC - A24F 1/00; A24F 1/32; A24F 11/00

Documentation searched other than minimum documentation to the extent that such documents are included in the fields searched

USPC - 128/202.21; 131/328; 604/20 (keyword delimited)

Electronic data base consulted during the international search (name of data base and, where practicable, search terms used)

Orbit, Google Patents, Google

Search terms used: dose, vapor, inhale, e-cigar, network, medical, payment, server, chamber, replenish, refill, rate, quantity, access, rights, formula, taste

C. DOCUMENTS CONSIDERED TO BE RELEVANT

Category*	Citation of Document, with indication, where appropriate, of the relevant passages	Relevant to claim No.
X	US 2014/0224245 A1 (ALELOV) 14 August 2014 (14.08.2014) entire document	1-6, 11-14, 16, 17, 19
Y		7-10, 15, 18, 20
Y	US 7,250,035 B1 (OTT et al) 31 July 2007 (31.07.2007) entire document	7-10, 18
Y	US 2012/0004770 A1 (OOYEN et al) 05 January 2012 (05.01.2012) entire document	9, 10, 20
Y	US 2011/0096955 A1 (VOLOSHYNOVSKIY et al) 28 April 2011 (28.04.2011) entire document	15
A	US 2015/0122252 A1 (FRIJA) 07 May 2015 (07.05.2015) entire document	1-20

Further documents are listed in the continuation of Box C.

See patent family annex.

* Special categories of cited documents:

"A" document defining the general state of the art which is not considered to be of particular relevance

"T" later document published after the international filing date or priority date and not in conflict with the application but cited to understand the principle or theory underlying the invention

"E" earlier application or patent but published on or after the international filing date

"X" document of particular relevance; the claimed invention cannot be considered novel or cannot be considered to involve an inventive step when the document is taken alone

"L" document which may throw doubts on priority claim(s) or which is cited to establish the publication date of another citation or other special reason (as specified)

"Y" document of particular relevance; the claimed invention cannot be considered to involve an inventive step when the document is combined with one or more other such documents, such combination being obvious to a person skilled in the art

"O" document referring to an oral disclosure, use, exhibition or other means

"&" document member of the same patent family

"P" document published prior to the international filing date but later than the priority date claimed

Date of the actual completion of the international search
 16 July 2016

Date of mailing of the international search report
01 FEB 2017

Name and mailing address of the ISA/
 Mail Stop PCT, Attn: ISA/US, Commissioner for Patents
 P.O. Box 1450, Alexandria, VA 22313-1450
 Facsimile No. 571-273-8300

Authorized officer
 Blaine R. Copenheaver

PCT Helpdesk: 571-272-4300
 PCT OSP: 571-272-7774