

(19) World Intellectual Property Organization  
International Bureau



(43) International Publication Date  
2 August 2001 (02.08.2001)

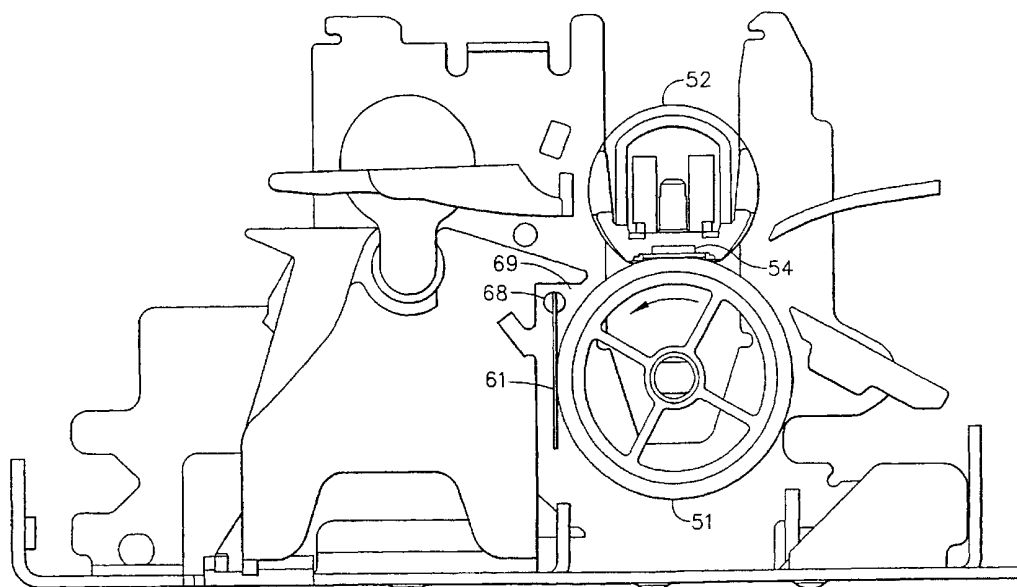
PCT

(10) International Publication Number  
**WO 01/55792 A3**

- (51) International Patent Classification<sup>7</sup>: **G03G 15/20**
- (21) International Application Number: PCT/US01/02199
- (22) International Filing Date: 23 January 2001 (23.01.2001)
- (25) Filing Language: English
- (26) Publication Language: English
- (30) Priority Data:  
09/491,610 26 January 2000 (26.01.2000) US
- (71) Applicant: **LEXMARK INTERNATIONAL, INC.** [US/US]; IP Law Dept., 740 West New Circle Road, Lexington, KY 40550 (US).
- (72) Inventors: **BURDICK, Robert, L.**; 177 Homestead Lane, Lancaster, KY 40444 (US). **GARLAND, Ann, Marie**; 601A South Central Avenue, Nicholasville, KY 40356 (US). **BAYERLE, Peter, Alden**; 3765 Kittiwake Drive, Lexington, KY 40517 (US). **PORTIG, Harald**; 400 Tincher Drive, Lexington, KY 40383 (US). **HAMILTON, Douglas, C.**; 3245 Blenheim Way, Lexington, KY 40503 (US).
- (74) Agent: **BRADY, John, A.**; Lexmark International, Inc., Intellectual Property Law Department, 740 West New Circle Road, Lexington, KY 40550 (US).
- (81) Designated States (*national*): AE, AG, AL, AM, AT, AU, AZ, BA, BB, BG, BR, BY, BZ, CA, CH, CN, CR, CU, CZ, DE, DK, DM, DZ, EE, ES, FI, GB, GD, GE, GH, GM, HR, HU, ID, IL, IN, IS, JP, KE, KG, KP, KR, KZ, LC, LK, LR, LS, LT, LU, LV, MA, MD, MG, MK, MN, MW, MX, MZ, NO, NZ, PL, PT, RO, RU, SD, SE, SG, SI, SK, SL, TJ, TM, TR, TT, TZ, UA, UG, UZ, VN, YU, ZA, ZW.
- (84) Designated States (*regional*): ARIPO patent (GH, GM, KE, LS, MW, MZ, SD, SL, SZ, TZ, UG, ZW), Eurasian patent (AM, AZ, BY, KG, KZ, MD, RU, TJ, TM), European patent (AT, BE, CH, CY, DE, DK, ES, FI, FR, GB, GR, IE, IT, LU, MC, NL, PT, SE, TR), OAPI patent (BF, BJ, CF, CG, CI, CM, GA, GN, GW, ML, MR, NE, SN, TD, TG).
- Published:  
— with international search report
- (88) Date of publication of the international search report:  
24 January 2002

[Continued on next page]

(54) Title: BELT FUSER WIPER



(57) Abstract: An image-fixing device for use in an electrophotographic process which includes a wiping member (61), (62), (64), (67) in contact with the back-up roller (51) of the fusing portion of the device. This wiping member has a high surface energy which eliminates moisture condensation on the back-up roller (51). This acts to eliminate stalls and paper jams without requiring major reformulation of the composition of the fuser belt or back-up roll or the structure of the printer.



WO 01/55792 A3



---

*For two-letter codes and other abbreviations, refer to the "Guidance Notes on Codes and Abbreviations" appearing at the beginning of each regular issue of the PCT Gazette.*

# INTERNATIONAL SEARCH REPORT

International application No.  
PCT/US01/02199

<b>A. CLASSIFICATION OF SUBJECT MATTER</b> IPC(7) : G03G 15/20 US CL : 399/327 According to International Patent Classification (IPC) or to both national classification and IPC		
<b>B. FIELDS SEARCHED</b> Minimum documentation searched (classification system followed by classification symbols) U.S. : 399/327, 328, 331, 333 Documentation searched other than minimum documentation to the extent that such documents are included in the fields searched NONE Electronic data base consulted during the international search (name of data base and, where practicable, search terms used) NONE		
<b>C. DOCUMENTS CONSIDERED TO BE RELEVANT</b>		
Category*	Citation of document, with indication, where appropriate, of the relevant passages	Relevant to claim No.
X	US 3,883,292 A (HAMAKER) 13 May 1975 (13.05.1975), figure 2 column 4, line 27 through column 5, line 42.	1-19
X	US 3,921,573 A (THETTU) 25 November 1975 (25.11.1975), figure 2, column 4, line 38 through column 6, line 22.	1-19
Y	US 4,518,976 A (TARUMI et al.) 21 May 1985 (21.05.1985), figure 3, column 6, line 17 through column 8, line 36.	1-19
Y	US 4,645,327 A (KIMURA et al.) 24 February 1987 (24.02.1987), figure 1, column 5, lines 11-44.	1-19
<input checked="" type="checkbox"/> Further documents are listed in the continuation of Box C. <input type="checkbox"/> See patent family annex.		
* Special categories of cited documents: "A" document defining the general state of the art which is not considered to be of particular relevance "E" earlier document published on or after the international filing date "L" document which may throw doubts on priority claim(s) or which is cited to establish the publication date of another citation or other special reason (as specified) "O" document referring to an oral disclosure, use, exhibition or other means "P" document published prior to the international filing date but later than the priority date claimed	"T" later document published after the international filing date or priority date and not in conflict with the application but cited to understand the principle or theory underlying the invention "X" document of particular relevance; the claimed invention cannot be considered novel or cannot be considered to involve an inventive step when the document is taken alone "Y" document of particular relevance; the claimed invention cannot be considered to involve an inventive step when the document is combined with one or more other such documents, such combination being obvious to a person skilled in the art "&" document member of the same patent family	
Date of the actual completion of the international search  23 JULY 2001	Date of mailing of the international search report  <b>06 SEP 2001</b>	
Name and mailing address of the ISA/US Commissioner of Patents and Trademarks Box PCT Washington, D.C. 20231 Facsimile No. (703) 305-3230	Authorized officer <i>Sharon S. Heppner</i> FRED L. BRAUN Telephone No. (703) 308-0128	

**INTERNATIONAL SEARCH REPORT**International application No.  
PCT/US01/02199

C (Continuation). DOCUMENTS CONSIDERED TO BE RELEVANT

Category*	Citation of document, with indication, where appropriate, of the relevant passages	Relevant to claim No.
Y	US 4,822,978 A (MORRIS et al.) 18 April 1989 (18.04.1989), figure 2, column 3, line 40 through column 4, line 51.	1-19
Y	US 5,091,752 A (OKADA) 25 February 1992 (25.02.1992), figure 1, column 8, lines 10-44.	1-19
A	US 5,138,395 A (LINDBLAD et al.) 11 August 1992 (11.08.1992), figure 3.	1-19
Y	US 5,223,902 A (CHODAK et al.) 29 June 1993 (29.06.1993), figure 2, column 2, line 14 through column 3, line 22.	1-19
A	US 5,307,133 A (KOSHIMIZU et al.) 26 April 1994 (26.04.1994), figure 1, column 6, lines 17-31.	1-19
A	US 5,349,428 A (DERRICK) 20 September 1994 (20.09.1994), figure 3, column 7, line 35 through column 8, line 47.	1-19
X	US 5,353,106 A (AGARWAL et al.) 04 October 1994 (04.10.1994), figures 2-4, column 3, line 22 through column 5, line 26.	1-19
X,P	US 6,026,272 A (KUSAKA et al.) 15 February 2000 (15.02.2000), figure 2, column 5, line 4 through column 7, line 18.	1-19