

(19) World Intellectual Property Organization  
International Bureau



(43) International Publication Date  
29 May 2008 (29.05.2008)

PCT

(10) International Publication Number  
**WO 2008/063636 A3**

(51) **International Patent Classification:**  
**A61B 17/34 (2006.01) A61B 19/00 (2006.01)**

Mission Viejo, CA 92692 (US). **BROADAWAY, Ethan**  
[US/US]; 940 Shorey Cove, Cordova, TN 98018 (US).

(21) **International Application Number:**  
PCT/US2007/024249

(74) **Agent: LYNCH, Edward, J.;** Patent Attorney, One Embarcadero Center, Suite 562, San Francisco, CA 941 11 (US).

(22) **International Filing Date:**  
20 November 2007 (20.11.2007)

(81) **Designated States** (unless otherwise indicated, for every kind of national protection available): AE, AG, AL, AM, AT, AU, AZ, BA, BB, BG, BH, BR, BW, BY, BZ, CA, CH, CN, CO, CR, CU, CZ, DE, DK, DM, DO, DZ, EC, EE, EG, ES, FI, GB, GD, GE, GH, GM, GT, HN, HR, HU, ID, IL, IN, IS, JP, KE, KG, KM, KN, KP, KR, KZ, LA, LC, LK, LR, LS, LT, LU, LY, MA, MD, ME, MG, MK, MN, MW, MX, MY, MZ, NA, NG, NI, NO, NZ, OM, PG, PH, PL, PT, RO, RS, RU, SC, SD, SE, SG, SK, SL, SM, SV, SY, TJ, TM, TN, TR, TT, TZ, UA, UG, US, UZ, VC, VN, ZA, ZM, ZW

(25) **Filing Language:** English

(26) **Publication Language:** English

(30) **Priority Data:**  
60/860,887 24 November 2006 (24.11.2006) US  
60/872,020 30 November 2006 (30.11.2006) US  
11/980,302 30 October 2007 (30.10.2007) US

(71) **Applicant** (for all designated States except US): **SENORX, INC.** [US/US]; 11 Columbia, Ste. A, Aliso Viejo, CA 92656 (US).

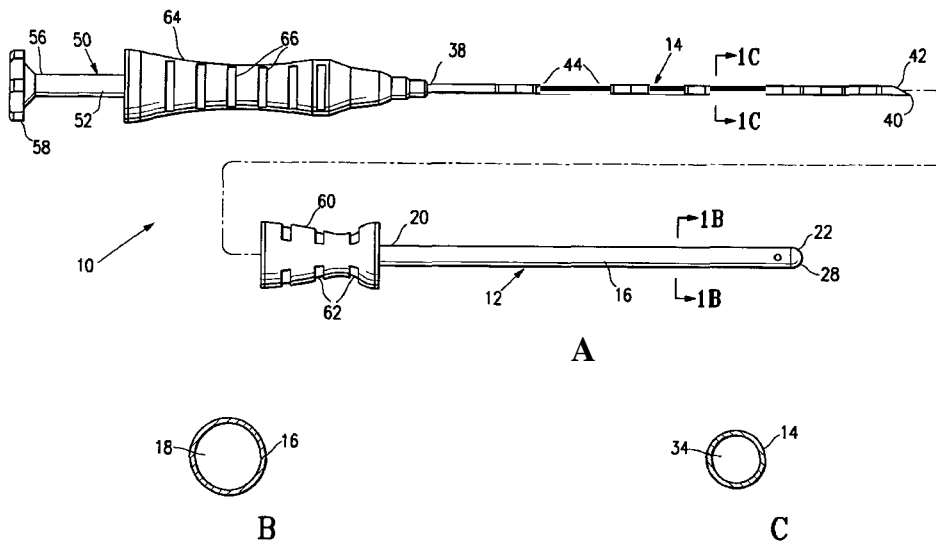
(84) **Designated States** (unless otherwise indicated, for every kind of regional protection available): ARIPO (BW, GH, GM, KE, LS, MW, MZ, NA, SD, SL, SZ, TZ, UG, ZM, ZW), Eurasian (AM, AZ, BY, KG, KZ, MD, RU, TJ, TM), European (AT, BE, BG, CH, CY, CZ, DE, DK, EE, ES, FI, FR, GB, GR, HU, IE, IS, IT, LT, LU, LV, MC, MT, NL, PL, PT, RO, SE, SI, SK, TR), OAPI (BF, BJ, CF, CG, CI, CM, GA, GN, GQ, GW, ML, MR, NE, SN, TD, TG).

(72) **Inventors; and**

(75) **Inventors/Applicants** (for US only): **LUBOCK, Paul** [US/US]; 30 Bethany, Laguna Niguel, CA 92677 (US).  
**QUICK, Richard, L.** [US/US]; 22970 Bouquet Canyon,

[Continued on next page]

(54) **Title:** MRI IMAGEABLE ASSEMBLY



(57) **Abstract:** A marker delivery device is described which has an obturator (12) with an elongated shaft (16), an inner lumen (18), a proximal end, and a substantially sealed distal end (22). One or more tissue markers are deployed within the inner lumen of the elongated shaft of the obturator. Preferably, the tissue marker (s) is disposed within an inner lumen of a marker delivery tube (14) which is disposed within the inner lumen of the elongated shaft of the obturator. The marker delivery tube has an opening (42) for discharging the tissue markers into a body (e.g. biopsy) cavity. The distal tip of the marker • delivery tube is configured to penetrate the substantially sealed distal end of the obturator so that tissue markers can be delivered while the obturator is in place within the body. Preferably, the obturator includes a detectable element capable of producing a relatively significant image signature during MRI.

WO 2008/063636 A3



**Published:**

- *with international search report*
- *before the expiration of the time limit for amending the claims and to be republished in the event of receipt of amendments*

**(88) Date of publication of the international search report:**  
9 October 2008

**INTERNATIONAL SEARCH REPORT**

International application No  
**PCT/US2007/024249**

**A. CLASSIFICATION OF SUBJECT MATTER**  
 INV. A61B17/34 A61B19/00  
 ADD. A61B17/00

According to International Patent Classification (IPC) or to both national classification and IPC

**B. FIELDS SEARCHED**

Minimum documentation searched (classification system followed by classification symbols)  
**A61B**

Documentation searched other than minimum documentation to the extent that such documents are included in the fields searched

Electronic data base consulted during the international search (name of data base and, where practical, search terms used)

EPO-Internal , PAJ, WPI Data

**C. DOCUMENTS CONSIDERED TO BE RELEVANT**

Category*	Citation of document, with indication, where appropriate, of the relevant passages	Relevant to claim No.
X	US 6 939 318 B2 (STENZEL ERIC B [IE]) 6 September 2005 (2005-09-06) columns 2-8; figures 1-12 -----	1,2,5-7, 9-25
X	US 2003/233101 A1 (LUBOCK PAUL [US] ET AL) 18 December 2003 (2003-12-18) figure 6 -----	1,2,9
X	WO 02/41786 A (SENORX INC [US]) 30 May 2002 (2002-05-30) figures 9A-C -----	1,2,8, 10,20,22
A	US 2006/241385 A1 (DIETZ TIMOTHY G [US]) 26 October 2006 (2006-10-26) paragraphs [0023], [0040], [0051]; figure 9 -----	1-25
	-/--	

Further documents are listed in the continuation of Box C.

See patent family annex.

\* Special categories of cited documents :

- 1A" document defining the general state of the art which is not considered to be of particular relevance
- 1E" earlier document but published on or after the international filing date
- "L" document which may throw doubts on priority claim(s) or which is cited to establish the publication date of another citation or other special reason (as specified)
- 1O" document referring to an oral disclosure, use, exhibition or other means
- 1P" document published prior to the International filing date but later than the priority date claimed

- "T" later document published after the international filing date or priority date and not in conflict with the application but cited to understand the principle or theory underlying the invention
- "X1" document of particular relevance; the claimed invention cannot be considered novel or cannot be considered to involve an inventive step when the document is taken alone
- "Y" document of particular relevance; the claimed invention cannot be considered to involve an inventive step when the document is combined with one or more other such documents, such combination being obvious to a person skilled in the art.
- "&" document member of the same patent family

Date of the actual completion of the International search

Date of mailing of the International search report

23 July 2008

01/08/2008

Name and mailing address of the ISA/

Authorized officer

European Patent Office, P.B. 5818 Patentlaan 2  
 NL-2280 HV Rijswijk  
 Tel. (+31-70) 340-2040, Tx. 31 651 epo nl,  
 Fax: (+31-70) 340-3016

**Herberhold, C**

## INTERNATIONAL SEARCH REPORT

International application No  
PCT/US2007/024249

C(Continuation). DOCUMENTS CONSIDERED TO BE RELEVANT		
Category*	Citation of document, with indication, where appropriate, of the relevant passages	Relevant to claim No.
X	WO 2005/013832 A (SCIMED LIFE SYSTEMS INC [US]; CHOPRA GOPAL [US]) 17 February 2005 (2005-02-17) pages 4,12,14; figure 1 page 14, lines 22-33 -----	1,3,6, 15-22
E	WO 2008/016551 A (SENORX INC [US]; LUBOCK PAUL [US]; QUICK RICHARD [US]) 7 February 2008 (2008-02-07) the whole document -----	1-25
X	EP 1 114 618 A (ETHICON ENDO SURGERY INC [US]) 11 July 2001 (2001-07-11) column 12, paragraph 39 - column 14, paragraph 45; figures 3-8 -----	1,2,6,8, 10,20-23
X	FR 2 853 521 A (MIALHE CLAUDE [FR]) 15 October 2004 (2004-10-15) page 5 - page 10; figures 1-18 -----	1,2,5, 7-25
X	US 6 220 248 B1 (VOEGELE JAMES W [US] ET AL) 24 April 2001 (2001-04-24) column 8, line 20 - line 37; figure 1 -----	1,2,8, 10,11
P,X	WO 2007/069105 A (SUROS SURGICAL SYSTEMS INC [US]; HARDIN TERRY [US]; NICOSON ZACHARY [U]) 21 June 2007 (2007-06-21) paragraphs [0033], [0059], [0060]; figures 1,9-11 -----	1,2,8, 10,11, 20,22

# INTERNATIONAL SEARCH REPORT

Information on patent family members

International application No

PCT/US2007/024249

Patent document cited in search report	Publication date	Patent family member(s)	Publication date
US 6939318	B2	06-09-2005	NONE
US 2003233101	A1	18-12-2003	AU 2003245489 A1 31-12-2003 CA 2490066 A1 24-12-2003 EP 1513581 A2 16-03-2005 WO 03105940 A2 24-12-2003
WO 0241786	A	30-05-2002	AU 3929002 A 03-06-2002 CA 2446993 A1 30-05-2002 EP 1919388 A2 14-05-2008
us 2006241385	A1	26-10-2006	US 2006258956 A1 16-11-2006
WO 2005013832	A	17-02-2005	US 2005049634 A1 03-03-2005 US 2008097522 A1 24-04-2008
WO 2008016551	A	07-02-2008	US 2008033280 A1 07-02-2008
EP 1114618	A	11-07-2001	NONE
FR 2853521	A	15-10-2004	EP 1610691 A1 04-01-2006 WO 2004091410 A1 28-10-2004 US 2007078504 A1 05-04-2007
US 6220248	B1	24-04-2001	NONE
WO 2007069105	A	21-06-2007	US 2007142725 A1 " 21-06-2007