



- (51) International Patent Classification:
H04W 64/00 (2009.01) H04L 29/06 (2006.01)
- (21) International Application Number:
PCT/CN2019/076324
- (22) International Filing Date:
27 February 2019 (27.02.2019)
- (25) Filing Language: English
- (26) Publication Language: English
- (71) Applicant: **QUALCOMM INCORPORATED** [US/US];
ATTN: International IP Administration, 5775 Morehouse
Drive, San Diego, California 92121-1714 (US).
- (72) Inventors; and
(71) Applicants (for US only): **REN, Yuwei** [CN/CN]; 5775
Morehouse Drive, San Diego, California 92121-1714 (US).

XU, Huilin [CN/US]; 5775 Morehouse Drive, San Diego, California 92121-1714 (US). **MANOLAKOS, Alexandros** [GR/US]; 5775 Morehouse Drive, San Diego, California 92121-1714 (US).

(74) Agent: **NTD PATENT & TRADEMARK AGENCY LTD.**; 10th Floor, Tower C, Beijing Global Trade Center, 36 North Third Ring Road East, Dongcheng District, Beijing 100013 (CN).

(81) Designated States (unless otherwise indicated, for every kind of national protection available): AE, AG, AL, AM, AO, AT, AU, AZ, BA, BB, BG, BH, BN, BR, BW, BY, BZ, CA, CH, CL, CN, CO, CR, CU, CZ, DE, DJ, DK, DM, DO, DZ, EC, EE, EG, ES, FI, GB, GD, GE, GH, GM, GT, HN, HR, HU, ID, IL, IN, IR, IS, JO, JP, KE, KG, KH, KN, KP, KR, KW, KZ, LA, LC, LK, LR, LS, LU, LY, MA, MD, ME, MG, MK, MN, MW, MX, MY, MZ, NA, NG, NI, NO, NZ, OM, PA, PE, PG, PH, PL, PT, QA, RO, RS, RU, RW, SA,

(54) Title: USER EQUIPMENT POSITION DETERMINATION USING AN UPLINK RANDOM ACCESS CHANNEL MESSAGE

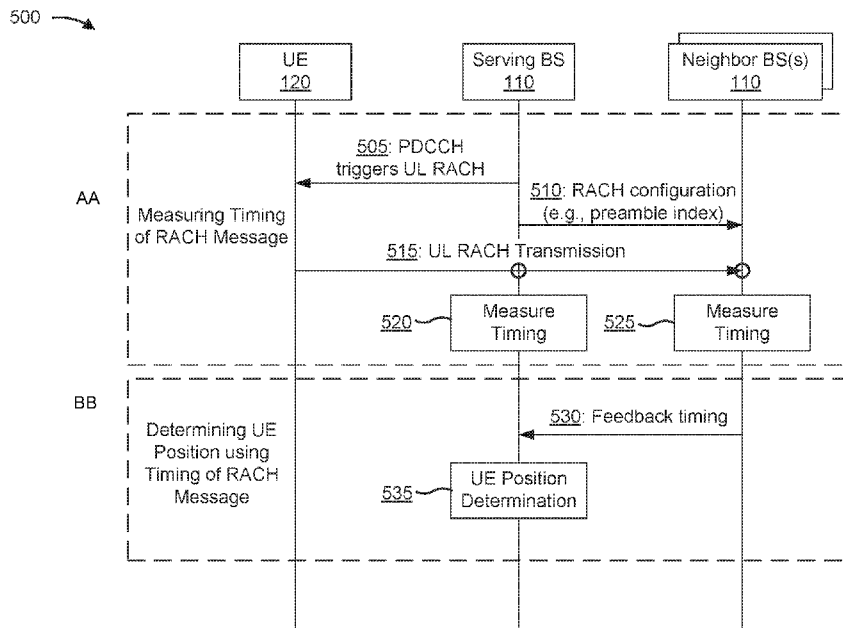


FIG. 5

(57) Abstract: In some aspects, a base station may transmit, to a user equipment (UE), an instruction that triggers the UE to transmit an uplink random access channel (RACH) message, the instruction identifying a RACH preamble index corresponding to a RACH preamble to be used for the uplink RACH message; transmit, to a plurality of neighbor base stations, information that identifies the RACH preamble index; receive the uplink RACH message from the UE; receive, from the plurality of neighbor base stations, feedback that indicates respective timings with which the uplink RACH message was received by the plurality of neighbor base stations; and estimate a position of the UE based at least in part on a timing with which the uplink RACH message was received by the base station and at least two of the respective timings with which the uplink RACH message was received by the plurality of neighbor base stations.



SC, SD, SE, SG, SK, SL, SM, ST, SV, SY, TH, TJ, TM, TN,
TR, TT, TZ, UA, UG, US, UZ, VC, VN, ZA, ZM, ZW.

- (84) Designated States** (*unless otherwise indicated, for every kind of regional protection available*): ARIPO (BW, GH, GM, KE, LR, LS, MW, MZ, NA, RW, SD, SL, ST, SZ, TZ, UG, ZM, ZW), Eurasian (AM, AZ, BY, KG, KZ, RU, TJ, TM), European (AL, AT, BE, BG, CH, CY, CZ, DE, DK, EE, ES, FI, FR, GB, GR, HR, HU, IE, IS, IT, LT, LU, LV, MC, MK, MT, NL, NO, PL, PT, RO, RS, SE, SI, SK, SM, TR), OAPI (BF, BJ, CF, CG, CI, CM, GA, GN, GQ, GW, KM, ML, MR, NE, SN, TD, TG).

Declarations under Rule 4.17:

- *of inventorship (Rule 4.17(iv))*

Published:

- *with international search report (Art. 21(3))*

USER EQUIPMENT POSITION DETERMINATION USING AN UPLINK RANDOM ACCESS CHANNEL MESSAGE

FIELD OF THE DISCLOSURE

[0001] Aspects of the present disclosure generally relate to wireless communication, and more particularly to techniques and apparatuses for user equipment position determination using an uplink random access channel message.

BACKGROUND

[0002] Wireless communication systems are widely deployed to provide various telecommunication services such as telephony, video, data, messaging, and broadcasts. Typical wireless communication systems may employ multiple-access technologies capable of supporting communication with multiple users by sharing available system resources (for example, bandwidth, transmit power, or the like, or a combination thereof). Examples of such multiple-access technologies include code division multiple access (CDMA) systems, time division multiple access (TDMA) systems, frequency-division multiple access (FDMA) systems, orthogonal frequency-division multiple access (OFDMA) systems, single-carrier frequency-division multiple access (SC-FDMA) systems, time division synchronous code division multiple access (TD-SCDMA) systems, and Long Term Evolution (LTE) systems. LTE/LTE-Advanced is a set of enhancements to the Universal Mobile Telecommunications System (UMTS) mobile standard promulgated by the Third Generation Partnership Project (3GPP).

[0003] The above multiple access technologies have been adopted in various telecommunication standards to provide a common protocol that enables different user equipments (UEs) to communicate on a municipal, national, regional, and even global level. New Radio (NR), which may also be referred to as 5G, is a set of enhancements to the LTE mobile standard promulgated by the 3GPP. NR is designed to better support mobile broadband Internet access by improving spectral efficiency, lowering costs, improving services, making use of new spectrum, and better integrating with other open standards using orthogonal frequency division multiplexing (OFDM) with a cyclic prefix (CP) (CP-OFDM) on the downlink (DL), using CP-OFDM or SC-FDM (for example, also known as discrete Fourier transform spread OFDM (DFT-s-OFDM)) on the uplink (UL), as well as supporting beamforming, multiple-input multiple-output (MIMO)

antenna technology, and carrier aggregation. However, as the demand for mobile broadband access continues to increase, there exists a need for further improvements in LTE and NR technologies. Preferably, these improvements are applicable to other multiple access technologies and the telecommunication standards that employ these technologies.

[0004] When a sounding reference signal (SRS) transmission is used for estimating a user equipment (UE) position, time domain aliasing may occur due to the SRS transmission being transmitted in non-contiguous frequency resources. This may lead to errors in determining the UE position.

SUMMARY

[0005] In some aspects, a method of wireless communication, performed by a base station, may include transmitting, to a user equipment (UE), an instruction that triggers the UE to transmit an uplink random access channel (RACH) message, the instruction identifying at least a RACH preamble index corresponding to a RACH preamble to be used for the uplink RACH message; transmitting, to a plurality of neighbor base stations, information that identifies at least the RACH preamble index; receiving the uplink RACH message from the UE; receiving, from the plurality of neighbor base stations, feedback that indicates respective timings with which the uplink RACH message was received by the plurality of neighbor base stations; and estimating a position of the UE based at least in part on a timing with which the uplink RACH message was received by the base station and at least two of the respective timings with which the uplink RACH message was received by the plurality of neighbor base stations.

[0006] In some aspects, a base station for wireless communication may include memory and one or more processors operatively coupled to the memory. The memory and the one or more processors may be configured to transmit, to a UE, an instruction that triggers the UE to transmit an uplink RACH message, the instruction identifying at least a RACH preamble index corresponding to a RACH preamble to be used for the uplink RACH message; transmit, to a plurality of neighbor base stations, information that identifies at least the RACH preamble index; receive the uplink RACH message from the UE; receive, from the plurality of neighbor base stations, feedback that indicates respective timings with which the uplink RACH message was received by the plurality of neighbor base stations; and estimate a position of the UE based at least in part on a timing

with which the uplink RACH message was received by the base station and at least two of the respective timings with which the uplink RACH message was received by the plurality of neighbor base stations.

[0007] In some aspects, a non-transitory computer-readable medium may store one or more instructions for wireless communication. The one or more instructions, when executed by one or more processors of a base station, may cause the one or more processors to: transmit, to a UE, an instruction that triggers the UE to transmit an uplink RACH message, the instruction identifying at least a RACH preamble index corresponding to a RACH preamble to be used for the uplink RACH message; transmit, to a plurality of neighbor base stations, information that identifies at least the RACH preamble index; receive the uplink RACH message from the UE; receive, from the plurality of neighbor base stations, feedback that indicates respective timings with which the uplink RACH message was received by the plurality of neighbor base stations; and estimate a position of the UE based at least in part on a timing with which the uplink RACH message was received by the base station and at least two of the respective timings with which the uplink RACH message was received by the plurality of neighbor base stations.

[0008] In some aspects, an apparatus for wireless communication may include means for transmitting, to a UE, an instruction that triggers the UE to transmit an uplink RACH message, the instruction identifying at least a RACH preamble index corresponding to a RACH preamble to be used for the uplink RACH message; means for transmitting, to a plurality of neighbor base stations, information that identifies at least the RACH preamble index; means for receiving the uplink RACH message from the UE; means for receiving, from the plurality of neighbor base stations, feedback that indicates respective timings with which the uplink RACH message was received by the plurality of neighbor base stations; and means for estimating a position of the UE based at least in part on a timing with which the uplink RACH message was received by the apparatus and at least two of the respective timings with which the uplink RACH message was received by the plurality of neighbor base stations.

[0009] In some aspects, a method of wireless communication, performed by a UE, may include receiving, from a base station, an instruction that triggers the UE to transmit an uplink RACH message, the instruction identifying at least a RACH preamble index corresponding to a RACH preamble to be used for the uplink RACH message; and

transmitting the uplink RACH message using the RACH preamble, the uplink RACH message being used to estimate a position of the UE.

[0010] In some aspects, a UE for wireless communication may include memory and one or more processors operatively coupled to the memory. The memory and the one or more processors may be configured to receive, from a base station, an instruction that triggers the UE to transmit an uplink RACH message, the instruction identifying at least a RACH preamble index corresponding to a RACH preamble to be used for the uplink RACH message; and transmit the uplink RACH message using the RACH preamble, the uplink RACH message being used to estimate a position of the UE.

[0011] In some aspects, a non-transitory computer-readable medium may store one or more instructions for wireless communication. The one or more instructions, when executed by one or more processors of a UE, may cause the one or more processors to: receive, from a base station, an instruction that triggers the UE to transmit an uplink RACH message, the instruction identifying at least a RACH preamble index corresponding to a RACH preamble to be used for the uplink RACH message; and transmit the uplink RACH message using the RACH preamble, the uplink RACH message being used to estimate a position of the UE.

[0012] In some aspects, an apparatus for wireless communication may include means for receiving, from a base station, an instruction that triggers the apparatus to transmit an uplink RACH message, the instruction identifying at least a RACH preamble index corresponding to a RACH preamble to be used for the uplink RACH message; and means for transmitting the uplink RACH message using the RACH preamble, the uplink RACH message being used to estimate a position of the apparatus.

[0013] Aspects generally include a method, apparatus, system, computer program product, non-transitory computer-readable medium, user equipment, base station, wireless communication device, and/or processing system as substantially described herein with reference to and as illustrated by the accompanying drawings and specification.

[0014] The foregoing has outlined rather broadly the features and technical advantages of examples in accordance with the disclosure in order that the detailed description that follows may be better understood. Additional features and advantages will be described hereinafter. The conception and specific examples disclosed may be readily utilized as a basis for modifying or designing other structures for carrying out the same purposes of the present disclosure. Such equivalent constructions do not depart

from the scope of the appended claims. Characteristics of the concepts disclosed herein, both their organization and method of operation, together with associated advantages will be better understood from the following description when considered in connection with the accompanying figures. Each of the figures is provided for the purposes of illustration and description, and not as a definition of the limits of the claims.

BRIEF DESCRIPTION OF THE DRAWINGS

[0015] So that the above-recited features of the present disclosure can be understood in detail, a more particular description, briefly summarized above, may be had by reference to aspects, some of which are illustrated in the appended drawings. It is to be noted, however, that the appended drawings illustrate only some typical aspects of this disclosure and are therefore not to be considered limiting of its scope, for the description may admit to other equally effective aspects. The same reference numbers in different drawings may identify the same or similar elements.

[0016] Figure 1 is a block diagram illustrating an example wireless network in accordance with various aspects of the present disclosure.

[0017] Figure 2 is a block diagram illustrating an example base station (BS) in communication with a user equipment (UE) in a wireless network in accordance with various aspects of the present disclosure.

[0018] Figure 3 is a diagram illustrating an example of UE position determination in accordance with various aspects of the present disclosure.

[0019] Figure 4 is a diagram illustrating an example of time domain aliasing in connection with UE position determination in accordance with various aspects of the present disclosure.

[0020] Figures 5-6 are diagrams illustrating examples of UE position determination using an uplink random access channel message in accordance with various aspects of the present disclosure.

[0021] Figure 7 is a diagram illustrating an example process performed by a base station in accordance with various aspects of the present disclosure.

[0022] Figure 8 is a diagram illustrating an example process performed by a UE in accordance with various aspects of the present disclosure.

DETAILED DESCRIPTION

[0023] Various aspects of the disclosure are described more fully hereinafter with reference to the accompanying drawings. This disclosure may, however, be embodied in many different forms and are not to be construed as limited to any specific structure or function presented throughout this disclosure. Rather, these aspects are provided so that this disclosure will be thorough and complete, and will fully convey the scope of the disclosure to those skilled in the art. Based on the teachings herein one skilled in the art may appreciate that the scope of the disclosure is intended to cover any aspect of the disclosure disclosed herein, whether implemented independently of or combined with any other aspect of the disclosure. For example, an apparatus may be implemented or a method may be practiced using any quantity of the aspects set forth herein. In addition, the scope of the disclosure is intended to cover such an apparatus or method which is practiced using other structure, functionality, or structure and functionality in addition to or other than the various aspects of the disclosure set forth herein. Any aspect of the disclosure disclosed herein may be embodied by one or more elements of a claim.

[0024] Several aspects of telecommunication systems will now be presented with reference to various apparatuses and techniques. These apparatuses and techniques will be described in the following detailed description and illustrated in the accompanying drawings by various blocks, modules, components, circuits, steps, processes, algorithms, or the like, or combinations thereof (collectively referred to as “elements”). These elements may be implemented using hardware, software, or combinations thereof. Whether such elements are implemented as hardware or software depends upon the particular application and design constraints imposed on the overall system.

[0025] It should be noted that while aspects may be described herein using terminology commonly associated with 3G or 4G wireless technologies, aspects of the present disclosure can be applied in other generation-based communication systems, such as 5G and later, including NR technologies.

[0026] When a sounding reference signal (SRS) transmission is used for estimating a user equipment (UE) position, time domain aliasing may occur due to the SRS transmission being transmitted in non-contiguous frequency resources. This may lead to errors in determining the UE position. Some techniques and apparatuses described herein assist with improving the accuracy of UE position determination using uplink signals.

[0027] Figure 1 is a block diagram illustrating an example wireless network 100 in accordance with various aspects of the present disclosure. The wireless network 100 may be a Long Term Evolution (LTE) network or some other wireless network, such as a 5G or NR network. The wireless network 100 may include a quantity of base stations (BSs) 110 (shown as BS 110a, BS 110b, BS 110c, and BS 110d) and other network entities. A BS is an entity that communicates with user equipment (UE(s)) and may also be referred to as a Node B, an eNodeB, an eNB, a gNB, a NR BS, a 5G node B (NB), an access point (AP), a transmit receive point (TRP), or the like, or combinations thereof (these terms are used interchangeably herein). Each BS may provide communication coverage for a particular geographic area. In 3GPP, the term “cell” can refer to a coverage area of a BS or a BS subsystem serving this coverage area, depending on the context in which the term is used.

[0028] A BS may provide communication coverage for a macro cell, a pico cell, a femto cell, or another type of cell. A macro cell may cover a relatively large geographic area (for example, several kilometers in radius) and may allow unrestricted access by UEs with service subscription. A pico cell may cover a relatively small geographic area and may allow unrestricted access by UEs with service subscription. A femto cell may cover a relatively small geographic area (for example, a home) and may allow restricted access by UEs having association with the femto cell (for example, UEs in a closed subscriber group (CSG)). A BS for a macro cell may be referred to as a macro BS. A BS for a pico cell may be referred to as a pico BS. A BS for a femto cell may be referred to as a femto BS or a home BS. A BS may support one or multiple (for example, three) cells.

[0029] Wireless network 100 may be a heterogeneous network that includes BSs of different types, for example, macro BSs, pico BSs, femto BSs, relay BSs, or the like, or combinations thereof. These different types of BSs may have different transmit power levels, different coverage areas, and different impacts on interference in wireless network 100. For example, macro BSs may have a high transmit power level (for example, 5 to 40 Watts) whereas pico BSs, femto BSs, and relay BSs may have lower transmit power levels (for example, 0.1 to 2 Watts). In the example shown in Figure 1, a BS 110a may be a macro BS for a macro cell 102a, a BS 110b may be a pico BS for a pico cell 102b, and a BS 110c may be a femto BS for a femto cell 102c. A network controller 130 may couple to the set of BSs 102a, 102b, 110a and 110b, and may provide coordination and control for these BSs. Network controller 130 may communicate with the BSs via a

backhaul. The BSs may also communicate with one another, for example, directly or indirectly via a wireless or wireline backhaul.

[0030] In some aspects, a cell may not be stationary; rather, the geographic area of the cell may move in accordance with the location of a mobile BS. In some aspects, the BSs may be interconnected to one another or to one or more other BSs or network nodes (not shown) in the wireless network 100 through various types of backhaul interfaces such as a direct physical connection, a virtual network, or the like, or combinations thereof using any suitable transport network.

[0031] Wireless network 100 may also include relay stations. A relay station is an entity that can receive a transmission of data from an upstream station (for example, a BS or a UE) and send a transmission of the data to a downstream station (for example, a UE or a BS). A relay station may also be a UE that can relay transmissions for other UEs. In the example shown in Figure 1, a relay station 110d may communicate with macro BS 110a and a UE 120d in order to facilitate communication between BS 110a and UE 120d. A relay station may also be referred to as a relay BS, a relay base station, a relay, or the like, or combinations thereof.

[0032] UEs 120 (for example, 120a, 120b, 120c) may be dispersed throughout wireless network 100, and each UE may be stationary or mobile. A UE may also be referred to as an access terminal, a terminal, a mobile station, a subscriber unit, a station, or the like, or combinations thereof. A UE may be a cellular phone (for example, a smart phone), a personal digital assistant (PDA), a wireless modem, a wireless communication device, a handheld device, a laptop computer, a cordless phone, a wireless local loop (WLL) station, a tablet, a camera, a gaming device, a netbook, a smartbook, an ultrabook, a medical device or equipment, biometric sensors/devices, wearable devices (smart watches, smart clothing, smart glasses, smart wrist bands, smart jewelry (for example, smart ring, smart bracelet)), an entertainment device (for example, a music or video device, or a satellite radio), a vehicular component or sensor, smart meters/sensors, industrial manufacturing equipment, a global positioning system device, or any other suitable device that is configured to communicate via a wireless medium.

[0033] Some UEs may be considered machine-type communication (MTC) or evolved or enhanced machine-type communication (eMTC) UEs. MTC and eMTC UEs include, for example, robots, drones, remote devices, sensors, meters, monitors, location tags, or the like, or combinations thereof, that may communicate with a base station,

another device (for example, remote device), or some other entity. A wireless node may provide, for example, connectivity for or to a network (for example, a wide area network such as Internet or a cellular network) via a wired or wireless communication link. Some UEs may be considered Internet-of-Things (IoT) devices or may be implemented as NB-IoT (narrowband internet of things) devices. Some UEs may be considered a Customer Premises Equipment (CPE). UE 120 may be included inside a housing that houses components of UE 120, such as processor components, memory components, or the like, or combinations thereof.

[0034] In general, any quantity of wireless networks may be deployed in a given geographic area. Each wireless network may support a particular radio access technology (RAT) and may operate on one or more frequencies or frequency channels. A frequency may also be referred to as a carrier or the like, or combinations thereof. Each frequency may support a single RAT in a given geographic area in order to avoid interference between wireless networks of different RATs. In some cases, NR or 5G RAT networks may be deployed.

[0035] In some aspects, two or more UEs 120 (for example, shown as UE 120a and UE 120e) may communicate directly with one another using one or more sidelink channels (for example, without using a base station 110 as an intermediary). For example, the UEs 120 may communicate using peer-to-peer (P2P) communications, device-to-device (D2D) communications, a vehicle-to-everything (V2X) protocol (for example, which may include a vehicle-to-vehicle (V2V) protocol, a vehicle-to-infrastructure (V2I) protocol, or the like, or combinations thereof), a mesh network, or the like, or combinations thereof. In this case, the UE 120 may perform scheduling operations, resource selection operations, or other operations described elsewhere herein as being performed by the base station 110.

[0036] Figure 2 is a block diagram 200 illustrating an example base station (BS) in communication with a user equipment (UE) in a wireless network in accordance with various aspects of the present disclosure. Base station 110 may be equipped with T antennas 234a through 234t, and UE 120 may be equipped with R antennas 252a through 252r, where in general $T \geq 1$ and $R \geq 1$.

[0037] At base station 110, a transmit processor 220 may receive data from a data source 212 for one or more UEs, select one or more modulation and coding schemes (MCSs) for each UE based at least in part on channel quality indicators (CQIs) received

from the UE, process (for example, encode) the data for each UE based at least in part on the MCS(s) selected for the UE, and provide data symbols for all UEs. Transmit processor 220 may also process system information (for example, for semi-static resource partitioning information (SRPI) or the like, or combinations thereof) and control information (for example, CQI requests, grants, upper layer signaling, or the like, or combinations thereof) and provide overhead symbols and control symbols. Transmit processor 220 may also generate reference symbols for reference signals (for example, the cell-specific reference signal (CRS)) and synchronization signals (for example, the primary synchronization signal (PSS) and secondary synchronization signal (SSS)). A transmit (TX) multiple-input multiple-output (MIMO) processor 230 may perform spatial processing (for example, precoding) on the data symbols, the control symbols, the overhead symbols, or the reference symbols, if applicable, and may provide T output symbol streams to T modulators (MODs) 232a through 232t. Each MOD 232 may process a respective output symbol stream (for example, for OFDM or the like, or combinations thereof) to obtain an output sample stream. Each MOD 232 may further process (for example, convert to analog, amplify, filter, and upconvert) the output sample stream to obtain a downlink signal. T downlink signals from MODs 232a through 232t may be transmitted via T antennas 234a through 234t, respectively. In accordance with various aspects described in more detail below, the synchronization signals can be generated with location encoding to convey additional information.

[0038] At UE 120, antennas 252a through 252r may receive the downlink signals from base station 110 or other base stations and may provide received signals to R demodulators (DEMODs) 254a through 254r, respectively. Each DEMOD 254 may condition (for example, filter, amplify, downconvert, and digitize) a received signal to obtain input samples. Each DEMOD 254 may further process the input samples (for example, for OFDM or the like, or combinations thereof) to obtain received symbols. A MIMO detector 256 may obtain received symbols from all R DEMODs 254a through 254r, perform MIMO detection on the received symbols if applicable, and provide detected symbols. A receive processor 258 may process (for example, decode) the detected symbols, provide decoded data for UE 120 to a data sink 260, and provide decoded control information and system information to a controller/processor 280. A channel processor may determine a reference signal received power (RSRP), a received signal strength indicator (RSSI), a reference signal received quality (RSRQ), a channel

quality indicator (CQI), or the like, or combinations thereof. In some aspects, one or more components of UE 120 may be included in a housing.

[0039] On the uplink, at UE 120, a transmit processor 264 may receive and process data from a data source 262 as well as control information (for example, for reports including RSRP, RSSI, RSRQ, CQI, or the like, or combinations thereof) from controller/processor 280. Transmit processor 264 may also generate reference symbols for one or more reference signals. The symbols from transmit processor 264 may be precoded by a TX MIMO processor 266 if applicable, further processed by MODs 254a through 254r (for example, for discrete Fourier transform spread orthogonal frequency division multiplexing (DFT-s-OFDM), orthogonal frequency division multiplexing (OFDM) with a cyclic prefix (CP) (CP-OFDM), or the like, or combinations thereof), and transmitted to base station 110. At base station 110, the uplink signals from UE 120 and other UEs may be received by antennas 234, processed by DEMODs 232, detected by a MIMO detector 236 if applicable, and further processed by a receive processor 238 to obtain decoded data and control information sent by UE 120. Receive processor 238 may provide the decoded data to a data sink 239 and the decoded control information to controller/processor 240. Base station 110 may include communication unit 244 and communicate to network controller 130 via communication unit 244. Network controller 130 may include communication unit 294, controller/processor 290, and memory 292.

[0040] Controller/processor 240 of base station 110, controller/processor 280 of UE 120, or any other component(s) of Figure 2 may perform one or more techniques associated with UE position determination using an uplink RACH message, as described in more detail elsewhere herein. For example, controller/processor 240 of base station 110, controller/processor 280 of UE 120, or any other component(s) of Figure 2 may perform or direct operations of, for example, process 700 of Figure 7, process 800 of Figure 8, or other processes as described herein. Memories 242 and 282 may store data and program codes for base station 110 and UE 120, respectively. A scheduler 246 may schedule UEs for data transmission on the downlink or uplink.

[0041] In some aspects, base station 110 may include means for transmitting, to a UE, an instruction that triggers the UE to transmit an uplink RACH message, the instruction identifying at least a RACH preamble index corresponding to a RACH preamble to be used for the uplink RACH message; means for transmitting, to a plurality of neighbor base stations, information that identifies at least the RACH preamble index; means for

receiving the uplink RACH message from the UE; means for receiving, from the plurality of neighbor base stations, feedback that indicates respective timings with which the uplink RACH message was received by the plurality of neighbor base stations; means for estimating a position of the UE based at least in part on a timing with which the uplink RACH message was received by the apparatus and at least two of the respective timings with which the uplink RACH message was received by the plurality of neighbor base stations; or the like, or combinations thereof. In some aspects, such means may include one or more components of base station 110 described in connection with Figure 2.

[0042] In some aspects, UE 120 may include means for receiving, from a base station, an instruction that triggers the apparatus to transmit an uplink RACH message, the instruction identifying at least a RACH preamble index corresponding to a RACH preamble to be used for the uplink RACH message; means for transmitting the uplink RACH message using the RACH preamble, the uplink RACH message being used to estimate a position of the apparatus; or the like, or combinations thereof. In some aspects, such means may include one or more components of UE 120 described in connection with Figure 2.

[0043] Figure 3 is a diagram 300 illustrating an example of UE position determination in accordance with various aspects of the present disclosure. As shown in Figure 3, measurements from at least three base stations 110 (shown as eNB₁, eNB₂, and eNB₃) may be used to determine a position of a UE 120.

[0044] In some scenarios, the UE 120 may use downlink reference signals to determine a position of the UE 120. For example, the UE 120 may use a downlink tracking reference signal (TRS) (sometimes referred to as a positioning reference signal (PRS)), such as one or more channel state information reference signals (CSI-RSs), to determine a position of the UE 120. In this case, multiple base stations 110 may transmit respective downlink reference signals. The UE 120 may receive those downlink reference signals and may measure a time difference of arrival (TDOA) between different downlink reference signals.

[0045] For example, the UE 120 may measure a first reference signal time difference (RSTD) between a first timing (shown as τ_1) at which a first downlink reference signal is received from a first base station 110 (shown as eNB₁, which may be a reference base station 110, such as a serving base station 110) and a second timing (shown as τ_2) at which a second downlink reference signal is received from a second base station 110

(shown as eNB₂, which may be a neighbor base station 110), which is shown as τ_2 minus τ_1 . Similarly, the UE 120 may measure a second RSTD between the first timing (τ_1) and a third timing (shown as τ_3) at which a third downlink reference signal is received from a third base station 110 (shown as eNB₃, which may be another neighbor base station 110), which is shown as τ_3 minus τ_1 . The UE 120 may use the first RSTD and the second RSTD to determine a position of the UE 120 (with some measurement uncertainty), as shown.

[0046] In some cases, a base station 110 may determine a UE position in a similar manner. For example, the base station 110 may receive an uplink reference signal from a UE 120. The uplink reference signal may be an uplink TRS, such as one or more sounding reference signals (SRSs). In this case, the base station 110 (such as a serving base station 110) may receive the uplink reference signal from the UE 120 and may determine a timing at which the uplink reference signal was received. Two or more neighbor base stations 110 may also receive the uplink reference signal, may determine respective timings at which the uplink reference signal was received, and may indicate the respective timings to the base station 110. The base station 110 may use the timing measured by the base station 110 as well as the timings measured by the neighbor base station 110 to estimate the UE position. However, because SRSs (or other uplink reference signals used as an uplink TRS) may be transmitted in non-contiguous resource blocks with frequency gaps, using SRSs for UE position determination may result in inaccuracies due to time domain aliasing, as described below in connection with Figure 4.

[0047] Figure 4 is a diagram 400 illustrating an example of time domain aliasing in connection with UE position determination in accordance with various aspects of the present disclosure. In a first operation 410, a base station 110 may receive an SRS transmission from a UE 120. The SRS transmission may include a set of SRSs transmitted on non-contiguous frequency resources. In Figure 4, the TRS is shown as being transmitted every 4 sub-carriers (for example, every 4 resource blocks in the frequency domain) using a comb 4 transmission structure. In some cases, the TRS may be transmitted using another comb transmission structure, such as every 2 sub-carriers using a comb 2 transmission structure.

[0048] In a second operation 420, the base station 110 may apply an inverse fast Fourier transform (IFFT) to map frequency domain signals to the time domain using frequency domain subsampling. Due to this subsampling and the non-contiguous

transmission of the TRS, the mapped signals may repeat in the time domain. For example, a comb 4 structure may result in a time domain signal repetition of 4 signals per symbol, as shown. Similarly, a comb 2 structure may result in a time domain signal repetition of 2 signals per symbol.

[0049] In a third operation 430, the base station 110 may apply a target sequence (for example, a reference sequence) to the time domain signals and may determine a time domain correlation between the target sequence and the time domain signals. In a fourth operation 440, due to the time domain signal repetition, the base station 110 may determine multiple correlation peaks (shown as 4 peaks due to the comb 4 structure). In some cases, the base station 110 may select a correlation peak that is not the true peak, which would introduce an error in determining a position of the UE 120. Some techniques and apparatuses described herein assist with improving the accuracy of UE position determination using uplink signals.

[0050] Figure 5 is a diagram 500 illustrating an example of UE position determination using an uplink random access channel message in accordance with various aspects of the present disclosure. As shown in Figure 5, a UE 120 may be in communication with a serving base station 110 (for example, via a wireless interface), and the serving base station 110 may be in communication with a set of neighbor base stations 110 (for example, via a backhaul interface, which may include a wired interface and/or a wireless interface).

[0051] In a first operation 505, the serving base station 110 may transmit, to the UE 120, an instruction that triggers the UE 120 to transmit an uplink random access channel (RACH) message. As shown, in some aspects, the instruction may be transmitted in a physical downlink control channel (PDCCH). Such an operation may be referred to as PDCCH-ordered RACH. The instruction may indicate a RACH configuration to be used by the UE 120. The RACH configuration may identify, for example, a RACH preamble index corresponding to a RACH preamble to be used for the uplink RACH message, a RACH power configuration to be used to transmit the RACH message, a RACH resource configuration to be used to transmit the RACH message (for example, a set of time domain resources, a set of frequency domain resources, a set of spatial domain resources, and/or the like to be used to transmit the RACH message), and/or the like. In some aspects, the RACH resource configuration may indicate contiguous resource blocks (for

example, in contiguous frequency resources or sub-carriers) to prevent time domain aliasing.

[0052] In some aspects, the UE 120 may transmit, to the serving base station 110, a request to trigger transmission of the RACH message for positioning. For example, the UE 120 may detect a time aliasing issue associated with determining a position of the UE 120, such as the time aliasing issue described above in connection with Figure 4. For example, the UE 120 may determine that multiple correlation peaks that satisfy a condition (for example, that are within a threshold amount of one another) have been detected in a same symbol. Based at least in part on this determination, the UE 120 may request PDCCH-ordered RACH, such as by transmitting a request to trigger transmission of the RACH message for positioning. Based at least in part on receiving this request, the serving base station 110 may transmit, to the UE 120, the instruction that triggers the UE 120 to transmit the RACH message, as described above. In some aspects, if the UE 120 is in a synchronized state with the serving base station 110, then the UE 120 may transmit the request in an uplink channel, such as a physical uplink control channel (PUCCH) or a physical uplink shared channel (PUSCH). In some aspects, if the UE 120 is not in a synchronized state with the serving base station 110, then the UE 120 may perform a RACH procedure to synchronize with the serving base station 110, and may then transmit the request for the PDCCH-ordered RACH for positioning.

[0053] In a second operation 510, the serving base station 110 may transmit, to multiple neighbor base stations 110 (for example, at least two neighbor base stations 110), the RACH configuration for the UE 120. The RACH configuration may indicate all or some of the information indicated to the UE 120 in the PDCCH-ordered RACH instruction, as described above. In some aspects, the RACH configuration transmitted to the neighbor base stations 110 may include at least the RACH preamble index. In some aspects, the RACH configuration transmitted to the neighbor base stations 110 may also include the RACH power configuration, the RACH resource configuration, and/or the like.

[0054] In a third operation 515, the UE 120 may transmit the RACH message (sometimes referred to as an uplink RACH message) using the RACH configuration. For example, the UE 120 may transmit a RACH preamble, indicated by the configured RACH preamble index, in the RACH message. Additionally or alternatively, the UE 120 may transmit the RACH message using the indicated RACH power configuration, the

indicated RACH resource configuration, and/or the like. In some aspects, the UE 120 may transmit the RACH message in contiguous resource blocks to prevent time domain aliasing. The serving base station 110 may monitor for the RACH message based at least in part on the RACH configuration indicated to the UE 120. For example, the serving base station 110 may monitor for a RACH message that includes a RACH preamble corresponding to the indicated RACH preamble index. Additionally or alternatively, the serving base station 110 may monitor for a RACH message having a receive (Rx) power that satisfies a condition (for example, based at least in part on the indicated RACH power configuration), may monitor for a RACH message in one or more resources indicated in the RACH resource configuration, and/or the like. The neighbor base stations 110 may monitor for a RACH message in a similar manner, such as by using the RACH configuration indicated by the serving base station 110.

[0055] In a fourth operation 520, the serving base station 110 may receive the RACH message from the UE 120 (based at least in part on monitoring for the RACH message using the RACH configuration), and may measure a timing with which the RACH message was received by the serving base station 110. The timing may be an absolute timing, a relative timing, or the like. Similarly, in a fifth operation 525, the neighbor base stations 110 may receive the RACH message from the UE 120 (based at least in part on monitoring for the RACH message using the RACH configuration), and may measure respective timings with which the RACH message was received by the neighbor base stations 110. For example, a first neighbor base station 110 may measure a first timing with which the RACH message was received by the first neighbor base station 110, a second neighbor base station 110 may measure a second timing with which the RACH message was received by the second neighbor base station 110, and so on for the multiple neighbor base stations 110 (which may include two neighbor base stations 110 or more than two neighbor base stations 110). In some aspects, a timing with which a RACH message is received may be referred to as a RACH timing.

[0056] In a sixth operation 530, the neighbor base stations 110 may transmit, to the serving base station 110, feedback that indicates the respective timings with which the RACH message was received by the neighbor base stations 110. For example, the first neighbor base station 110 may transmit a first message that indicates the first RACH timing to the serving base station 110, the second neighbor base station 110 may transmit

a second message that indicates the second RACH timing to the serving base station 110, and so on for the multiple neighbor base stations 110.

[0057] In a seventh operation 535, the serving base station 110 may estimate a position of the UE 120 based at least in part on a timing with which the RACH message was received by the serving base station 110 and at least two of the respective timings with which the RACH message was received by the multiple neighbor base stations 110. For example, the serving base station 110 may estimate a position of the UE 120 using the timing with which the RACH message was received by the serving base station 110, a first timing indicated by the first neighbor base station 110, and a second timing indicated by the second neighbor base station 110. In some aspects, the serving base station 110 may also use one or more timings indicated by one or more additional neighbor base stations 110 to improve accuracy of the UE position estimate.

[0058] For example, the serving base station 110 may measure a first RSTD between the timing at which the RACH message is received by the serving base station 110 and a first timing at which the RACH message is received by a first neighbor base station 110. Similarly, the serving base station 110 may measure a second RSTD between the timing at which the RACH message is received by the serving base station 110 and a second timing at which the RACH message is received by a second neighbor base station 110. The serving base station 110 may use the first RSTD and the second RSTD to determine a position of the UE 120.

[0059] Because the RACH message is transmitted in contiguous resource blocks (for example, in contiguous sub-carriers), transmission of the RACH message may not have any frequency gaps. As a result, the time domain aliasing issues described above in connection with Figure 4 are not introduced into measurement and/or processing of the RACH message, thereby reducing errors in determining a correlation peak (for example, since the serving base station 110 will not determine multiple peaks in a symbol). In this way, a position of the UE 120 can be estimated more accurately as compared to using a reference signal or message with frequency gaps (for example, due to a comb 2 structure, a comb 4 structure, or the like).

[0060] In some aspects, the serving base station 110 may transmit, to the UE 120, information that indicates the estimated UE position. Additionally or alternatively, although the serving base station 110 is described herein as estimating a UE position using timing parameters, in some aspects, the UE 120 may estimate the UE position using

these timing parameters. For example, the serving base station 110 may transmit, to the UE 120, information that identifies the timing measured by the serving base station 110, the first timing measured by the first neighbor base station 110, the second timing measured by the second neighbor base station 110, and so on for the multiple neighbor base stations 110. The UE 120 may use these timings to estimate a position of the UE 120.

[0061] As shown in Figure 5, in some aspects, a position of the UE 120 may be determined directly from the RACH message without using an additional TRS and/or PRS, such as without using an SRS transmission. In some aspects, a position of the UE 120 may be determined using both the RACH message and an additional TRS and/or PRS, such as an SRS transmission, as described below in connection with Figure 6.

[0062] Figure 6 is a diagram 600 illustrating an example of UE position determination using an uplink random access channel message in accordance with various aspects of the present disclosure. As shown in Figure 6, a UE 120 may be in communication with a serving base station 110, and the serving base station 110 may be in communication with a set of neighbor base stations 110, as described above in connection with Figure 5.

[0063] In a first operation 605, the UE 120 may transmit an SRS transmission (for example, one or more SRSs). For example, the UE 120 may transmit the SRS transmission using an SRS configuration, which may be indicated to the UE 120 by the serving base station 110. In some aspects, the UE 120 may transmit the SRS transmission in non-contiguous resource blocks (for example, due to a comb 2 structure or a comb 4 structure for the SRS transmission, which may be indicated in the SRS configuration), which may lead to time domain aliasing, as described above in connection with Figure 4. The serving base station 110 may monitor for the SRS transmission based at least in part on the SRS configuration. For example, the serving base station 110 may monitor for one or more SRSs in one or more resources indicated in the SRS configuration. In some aspects, the serving base station 110 may indicate the SRS configuration to the neighbor base stations 110, and the neighbor base stations 110 may monitor for one or more SRSs in a similar manner, such as by using the SRS configuration indicated by the serving base station 110.

[0064] In a second operation 610, the serving base station 110 may receive the SRS transmission from the UE 120 (based at least in part on monitoring for the SRS transmission using the SRS configuration), and may measure a timing with which the

SRS transmission was received by the serving base station 110 (shown as T_S , representing an SRS timing). The timing may be an absolute timing, a relative timing, or the like. Similarly, in a third operation 615, the neighbor base stations 110 may receive the SRS transmission from the UE 120 (based at least in part on monitoring for the SRS transmission using the SRS configuration), and may measure respective timings with which the SRS transmission was received by the neighbor base stations 110. For example, a first neighbor base station 110 may measure a first timing with which the SRS transmission was received by the first neighbor base station 110, a second neighbor base station 110 may measure a second timing with which the SRS transmission was received by the second neighbor base station 110, and so on for the multiple neighbor base stations 110 (which may include two neighbor base stations 110 or more than two neighbor base stations 110). In some aspects, a timing with which an SRS transmission is received may be referred to as an SRS timing.

[0065] In a fourth operation 620, the neighbor base stations 110 may transmit, to the serving base station 110, feedback that indicates the respective timings with which the SRS transmission was received by the neighbor base stations 110. For example, the first neighbor base station 110 may transmit a first message that indicates the first SRS timing to the serving base station 110, the second neighbor base station 110 may transmit a second message that indicates the second SRS timing to the serving base station 110, and so on for the multiple neighbor base stations 110.

[0066] In a fifth operation 625, the UE 120 may transmit a RACH message (for example, using PDCCH-ordered RACH), the serving base station 110 may measure a RACH timing (shown as T_R) with which the RACH message was received by the serving base station 110, and the neighbor base stations may measure respective RACH timings with which the RACH message was received by the neighbor base stations 110. Additional details regarding this operation are described above in connection with Figure 5 (for example, operations 505 through 525). In a sixth operation 630, the neighbor base stations 110 may transmit, to the serving base station 110, feedback that indicates the respective timings with which the RACH message was received by the neighbor base stations 110, in a similar manner as described in connection with operation 530 of Figure 5.

[0067] In a seventh operation 635, the serving base station 110 may estimate a position of the UE 120 based at least in part on a timing with which the RACH message

was received by the serving base station 110, at least two of the respective timings with which the RACH message was received by the multiple neighbor base stations 110, a timing with which the SRS transmission was received by the serving base station 110, and at least two of the respective timings with which the SRS transmission was received by the multiple neighbor base stations 110. For example, the serving base station 110 may estimate a position of the UE 120 using a RACH timing with which the RACH message was received by the serving base station 110, a first RACH timing indicated by the first neighbor base station 110, a second RACH timing indicated by the second neighbor base station 110, an SRS timing with which the SRS transmission was received by the serving base station 110, a first SRS timing indicated by the first neighbor base station 110, and a second SRS timing indicated by the second neighbor base station 110. In some aspects, the serving base station 110 may also use one or more RACH timings and/or one or more SRS timings indicated by one or more additional neighbor base stations 110 to improve accuracy of the UE position estimate.

[0068] In some aspects, the serving base station 110 may use the SRS transmission to identify multiple correlation peaks, as described above in connection with Figure 4. The serving base station 110 may then use the RACH timing(s) to determine which correlation peak is the true peak to be used for UE position estimation. The true peak may indicate a timing value to be used to determine an RSTD. For example, the serving base station 110 may use a RACH timing, measured by the serving base station 110, to determine a timing value of multiple timing values indicated by an SRS timing measured by the serving base station 110. The serving base station 110 may use a first RACH timing, measured by the first neighbor base station 110, to determine a first timing value of multiple timing values indicated by the first SRS timing measured by the neighbor base station 110. The serving base station 110 may use the timing value and the first timing value to determine a first RSTD. The serving base station 110 may use a similar operation to determine a second RSTD (for example, using the RACH timing and the SRS timing measured by the serving base station 110 and a second RACH timing and a second SRS timing measured by a second neighbor base station 110). The serving base station 110 may use the first RSTD and the second RSTD to determine a position of the UE 120.

[0069] In some aspects, the RACH message and the SRS transmission may be quasi co-located. When two signals (or two beams used to carry the two signals) are quasi co-

located, one or more properties of one of the signals (or beams) can be used to infer the corresponding one or more properties of the other signal (or beam), such as a delay spread, a Doppler spread, a frequency shift, an average gain, an average delay, an average receive power, a receive timing, and/or the like. When the RACH message and the SRS transmission are quasi co-located, this may ensure that these two signals use the same or similar timing properties and/or that a timing property of one of the signals can be inferred from a corresponding timing property of the other signal. As a result, the RACH message can be used to accurately compensate for timing inaccuracies resulting from use of the SRS transmission (for example, to select a peak from multiple peaks).

[0070] In some aspects, the serving base station 110 may transmit a configuration that indicates a quasi co-location (QCL) relationship between the RACH message and the SRS transmission. For example, this configuration may be transmitted to the UE 120, and the UE 120 may use this configuration when transmitting the RACH message and/or the SRS transmission, such as by transmitting these signals with the indicated QCL relationship. Additionally or alternatively, this configuration may be transmitted to the neighbor base stations 110, and the neighbor base stations 110 may use this configuration when monitoring for the RACH message and/or the SRS transmission, such as by monitoring for these signals using the indicated QCL relationship.

[0071] In some aspects, a fixed timing offset may be configured between the RACH message and the SRS transmission. For example, the RACH message may be transmitted and/or received in a first symbol (or a first set of symbols with the first symbol being a starting symbol of the first set of symbols), and the SRS transmission may be received in a second symbol (or a second set of symbols with the second symbol being a starting symbol of the second set of symbols). The timing offset between the first symbol and the second symbol may be fixed. For example, the SRS transmission may be configured with an SRS resource configuration that indicates a set of symbols that occur with a fixed offset from a set of symbols used for a RACH message. In this way, a RACH timing may be used to assist with UE position estimation using the SRS transmission, because a timing offset between the RACH message and the SRS transmission is fixed.

[0072] Because the RACH message is transmitted in contiguous resource blocks (for example, in contiguous sub-carriers), transmission of the RACH message may not have any frequency gaps. As a result, the time domain aliasing issues described above in connection with Figure 4 that result from the non-contiguous frequency domain structure

of SRS transmissions can be offset using the RACH message. Furthermore, by using both a RACH message and an SRS transmission to estimate a UE position, an accuracy of the estimate may be improved by using a greater number of reference signals as compared to using only the RACH message and not the SRS transmission.

[0073] In some aspects, the serving base station 110 may transmit, to the UE 120, information that indicates the estimated UE position. Additionally or alternatively, although the serving base station 110 is described herein as estimating a UE position using timing parameters, in some aspects, the UE 120 may estimate the UE position using these timing parameters. For example, the serving base station 110 may transmit, to the UE 120, information that identifies the RACH timing and the SRS timing measured by the serving base station 110, the first RACH timing and the first SRS timing measured by the first neighbor base station 110, the second RACH timing and the second SRS timing measured by the second neighbor base station 110, and so on for the multiple neighbor base stations 110. The UE 120 may use these timings to estimate a position of the UE 120.

[0074] Furthermore, although the serving base station 110 is described as transmitting the RACH configuration and/or the SRS configuration to multiple neighbor base stations 110, in some aspects, the serving base station 110 may transmit the RACH configuration and/or the SRS configuration to a single neighbor base station 110. In this case, the neighbor base station 110 may relay the RACH configuration and/or the SRS configuration to one or more other neighbor base stations 110.

[0075] Figure 7 is a diagram illustrating an example process 700 performed, for example, by a base station in accordance with various aspects of the present disclosure. Example process 700 is an example where a base station (for example, base station 110 or the like) performs operations associated with UE position determination using an uplink RACH message.

[0076] As shown in Figure 7, in some aspects, process 700 may include transmitting, to a UE, an instruction that triggers the UE to transmit an uplink RACH message, the instruction identifying at least a RACH preamble index corresponding to a RACH preamble to be used for the uplink RACH message (block 710). For example, the base station (for example, using controller/processor 240, transmit processor 220, TX MIMO processor 230, MOD 232, antenna 234, and/or the like) may transmit, to a UE, an instruction that triggers the UE to transmit an uplink RACH message, as described above.

The instruction may identify at least a RACH preamble index corresponding to a RACH preamble to be used for the uplink RACH message.

[0077] As further shown in Figure 7, in some aspects, process 700 may include transmitting, to a plurality of neighbor base stations, information that identifies at least the RACH preamble index (block 720). For example, the base station (for example, using controller/processor 240, transmit processor 220, TX MIMO processor 230, MOD 232, antenna 234, and/or the like) may transmit, to a plurality of neighbor base stations, information that identifies at least the RACH preamble index, as described above.

[0078] As further shown in Figure 7, in some aspects, process 700 may include receiving the uplink RACH message from the UE (block 730). For example, the base station (for example, using antenna 234, DEMOD 232, MIMO detector 236, receive processor 238, controller/processor 240, and/or the like) may receive the uplink RACH message from the UE, as described above.

[0079] As further shown in Figure 7, in some aspects, process 700 may include receiving, from the plurality of neighbor base stations, feedback that indicates respective timings with which the uplink RACH message was received by the plurality of neighbor base stations (block 740). For example, the base station (for example, using antenna 234, DEMOD 232, MIMO detector 236, receive processor 238, controller/processor 240, and/or the like) may receive, from the plurality of neighbor base stations, feedback that indicates respective timings with which the uplink RACH message was received by the plurality of neighbor base stations, as described above.

[0080] As further shown in Figure 7, in some aspects, process 700 may include estimating a position of the UE based at least in part on a timing with which the uplink RACH message was received by the base station and at least two of the respective timings with which the uplink RACH message was received by the plurality of neighbor base stations (block 750). For example, the base station (for example, using controller/processor 240 and/or the like) may estimate a position of the UE based at least in part on a timing with which the uplink RACH message was received by the base station and at least two of the respective timings with which the uplink RACH message was received by the plurality of neighbor base stations, as described above.

[0081] Process 700 may include additional aspects, such as any single aspect or any combination of aspects described below and/or in connection with one or more other processes described elsewhere herein.

[0082] In a first aspect, process 700 includes transmitting, to the UE, information that identifies the respective timings with which the uplink RACH message was received by the plurality of neighbor base stations. In a second aspect alone or in combination with the first aspect, the instruction is transmitted in a physical downlink control channel. In a third aspect alone or in combination with any of the first through second aspects, the uplink RACH message is received via contiguous resource blocks.

[0083] In a fourth aspect alone or in combination with any of the first through third aspects, process 700 includes receiving a sounding reference signal (SRS) transmission from the UE; receiving, from the plurality of neighbor base stations, feedback that indicates respective timings with which the SRS transmission was received by the plurality of neighbor base stations; and estimating the position of the UE based at least in part on the timing with which the uplink RACH message was received by the base station, the at least two of the respective timings with which the uplink RACH message was received by the plurality of neighbor base stations, a timing with which the SRS transmission was received by the base station, and at least two of the respective timings with which the SRS transmission was received by the plurality of neighbor base stations.

[0084] In a fifth aspect alone or in combination with any of the first through fourth aspects, the SRS transmission is received via non-contiguous resource blocks. In a sixth aspect alone or in combination with any of the first through fifth aspects, process 700 includes selecting a timing, from multiple possible timings corresponding to multiple peak power measurements of the SRS transmission, based at least in part on the uplink RACH message. In a seventh aspect alone or in combination with any of the first through sixth aspects, the uplink RACH message and the SRS transmission are quasi co-located. In an eighth aspect alone or in combination with any of the first through seventh aspects, process 700 includes transmitting a configuration that indicates a quasi co-location relationship between the uplink RACH message and the SRS transmission. In a ninth aspect alone or in combination with any of the first through eighth aspects, a fixed timing offset is configured between the uplink RACH message and the SRS transmission.

[0085] Figure 8 is a diagram illustrating an example process 800 performed, for example, by a UE in accordance with various aspects of the present disclosure. Example process 800 is an example where a UE (for example, UE 120 or the like) performs operations associated with UE position determination using an uplink RACH message.

[0086] As shown in Figure 8, in some aspects, process 800 may include receiving, from a base station, an instruction that triggers the UE to transmit an uplink RACH message, the instruction identifying at least a RACH preamble index corresponding to a RACH preamble to be used for the uplink RACH message (block 810). For example, the UE (for example, using antenna 252, DEMOD 254, MIMO detector 256, receive processor 258, controller/processor 280, and/or the like) may receive, from a base station, an instruction that triggers the UE to transmit an uplink RACH message, as described above. The instruction may identify at least a RACH preamble index corresponding to a RACH preamble to be used for the uplink RACH message.

[0087] As further shown in Figure 8, in some aspects, process 800 may include transmitting the uplink RACH message using the RACH preamble, the uplink RACH message being used to estimate a position of the UE (block 820). For example, the UE (for example, using controller/processor 280, transmit processor 264, TX MIMO processor 266, MOD 254, antenna 252, and/or the like) may transmit the uplink RACH message using the RACH preamble, as described above. The uplink RACH message may be used to estimate a position of the UE.

[0088] Process 800 may include additional aspects, such as any single aspect or any combination of aspects described below and/or in connection with one or more other processes described elsewhere herein.

[0089] In a first aspect, the uplink RACH message is used by a base station to estimate a position of the UE. In a second aspect alone or in combination with the first aspect, process 800 includes receiving, from the base station, an estimate of a position of the UE based at least in part on transmitting the uplink RACH message. In a third aspect alone or in combination with any of the first through second aspects, process 800 includes receiving, from the base station, information that identifies respective timings with which the uplink RACH message was received by a plurality of neighbor base stations; and estimating a position of the UE based at least in part on at least two of the respective timings with which the uplink RACH message was received by the plurality of neighbor base stations. In a fourth aspect alone or in combination with any of the first through third aspects, the SRS transmission and the uplink RACH message are used to estimate a position of the UE.

[0090] In a fifth aspect alone or in combination with any of the first through fourth aspects, process 800 includes receiving, from the base station, information that identifies

respective timings with which the SRS transmission was received by a plurality of neighbor base stations; and estimating a position of the UE based at least in part on at least two of the respective timings with which the SRS transmission was received by the plurality of neighbor base stations. In a sixth aspect alone or in combination with any of the first through fifth aspects, the instruction is received in a physical downlink control channel.

[0091] In a seventh aspect alone or in combination with any of the first through sixth aspects, process 800 includes transmitting, to the base station, a request to trigger transmission of the uplink RACH message for positioning; and receiving the instruction that triggers the UE to transmit the uplink RACH message based at least in part on transmitting the request. In an eighth aspect alone or in combination with any of the first through seventh aspects, process 800 includes detecting a time aliasing issue associated with determining a position of the UE; and transmitting the request based at least in part on detecting the time aliasing issue.

[0092] The foregoing disclosure provides illustration and description, but is not intended to be exhaustive or to limit the aspects to the precise form disclosed. Modifications and variations may be made in light of the above disclosure or may be acquired from practice of the aspects.

[0093] As used herein, the term “component” is intended to be broadly construed as hardware, firmware, or a combination of hardware and software. As used herein, a processor is implemented in hardware, firmware, or a combination of hardware and software.

[0094] Some aspects are described herein in connection with thresholds. As used herein, satisfying a threshold may refer to a value being greater than the threshold, greater than or equal to the threshold, less than the threshold, less than or equal to the threshold, equal to the threshold, not equal to the threshold, or the like, or combinations thereof.

[0095] It will be apparent that systems or methods described herein may be implemented in different forms of hardware, firmware, or a combination of hardware and software. The actual specialized control hardware or software code used to implement these systems or methods is not limiting of the aspects. Thus, the operation and behavior of the systems or methods were described herein without reference to specific software code—it being understood that software and hardware can be designed to implement the systems or methods based, at least in part, on the description herein.

[0096] Even though particular combinations of features are recited in the claims or disclosed in the specification, these combinations are not intended to limit the disclosure of various aspects. In fact, many of these features may be combined in ways not specifically recited in the claims or disclosed in the specification. Although each dependent claim listed below may directly depend on only one claim, the disclosure of various aspects includes each dependent claim in combination with every other claim in the claim set. A phrase referring to “at least one of” a list of items refers to any combination of those items, including single members. As an example, “at least one of: a, b, or c” is intended to cover a, b, c, a-b, a-c, b-c, and a-b-c, as well as any combination with multiples of the same element (for example, a-a, a-a-a, a-a-b, a-a-c, a-b-b, a-c-c, b-b, b-b-b, b-b-c, c-c, and c-c-c or any other ordering of a, b, and c).

[0097] No element, act, or instruction used herein is to be construed as critical or essential unless explicitly described as such. Also, as used herein, the articles “a” and “an” are intended to include one or more items, and may be used interchangeably with “one or more.” Furthermore, as used herein, the terms “set” and “group” are intended to include one or more items (for example, related items, unrelated items, a combination of related and unrelated items, or the like, or combinations thereof), and may be used interchangeably with “one or more.” Where only one item is intended, the phrase “only one” or similar language is used. Also, as used herein, the terms “has,” “have,” “having,” or the like, or combinations thereof are intended to be open-ended terms. Further, the phrase “based on” is intended to mean “based, at least in part, on” unless explicitly stated otherwise.

WHAT IS CLAIMED IS:

1. A method of wireless communication performed by a base station, comprising:
 - transmitting, to a user equipment (UE), an instruction that triggers the UE to transmit an uplink random access channel (RACH) message, the instruction identifying at least a RACH preamble index corresponding to a RACH preamble to be used for the uplink RACH message;
 - transmitting, to a plurality of neighbor base stations, information that identifies at least the RACH preamble index;
 - receiving the uplink RACH message from the UE;
 - receiving, from the plurality of neighbor base stations, feedback that indicates respective timings with which the uplink RACH message was received by the plurality of neighbor base stations; and
 - estimating a position of the UE based at least in part on a timing with which the uplink RACH message was received by the base station and at least two of the respective timings with which the uplink RACH message was received by the plurality of neighbor base stations.
2. The method of claim 1, further comprising transmitting, to the UE, information that identifies the respective timings with which the uplink RACH message was received by the plurality of neighbor base stations.
3. The method of claim 1, wherein the instruction is transmitted in a physical downlink control channel.
4. The method of claim 1, wherein the uplink RACH message is received via contiguous resource blocks.
5. The method of claim 1, further comprising:
 - receiving a sounding reference signal (SRS) transmission from the UE;
 - receiving, from the plurality of neighbor base stations, feedback that indicates respective timings with which the SRS transmission was received by the plurality of neighbor base stations; and

estimating the position of the UE based at least in part on the timing with which the uplink RACH message was received by the base station, the at least two of the respective timings with which the uplink RACH message was received by the plurality of neighbor base stations, a timing with which the SRS transmission was received by the base station, and at least two of the respective timings with which the SRS transmission was received by the plurality of neighbor base stations.

6. The method of claim 5, wherein the SRS transmission is received via non-contiguous resource blocks.
7. The method of claim 5, further comprising selecting a timing, from multiple possible timings corresponding to multiple peak power measurements of the SRS transmission, based at least in part on the uplink RACH message.
8. The method of claim 5, wherein the uplink RACH message and the SRS transmission are quasi co-located.
9. The method of claim 5, further comprising transmitting a configuration that indicates a quasi co-location relationship between the uplink RACH message and the SRS transmission.
10. The method of claim 5, wherein a fixed timing offset is configured between the uplink RACH message and the SRS transmission.
11. A method of wireless communication performed by a user equipment (UE), comprising:
 - receiving, from a base station, an instruction that triggers the UE to transmit an uplink random access channel (RACH) message, the instruction identifying at least a RACH preamble index corresponding to a RACH preamble to be used for the uplink RACH message; and
 - transmitting the uplink RACH message using the RACH preamble, the uplink RACH message being used to estimate a position of the UE.

12. The method of claim 11, wherein the uplink RACH message is used by a base station to estimate a position of the UE.
13. The method of claim 11, further comprising receiving, from the base station, an estimate of a position of the UE based at least in part on transmitting the uplink RACH message.
14. The method of claim 11, further comprising:
 - receiving, from the base station, information that identifies respective timings with which the uplink RACH message was received by a plurality of neighbor base stations;
 - and
 - estimating a position of the UE based at least in part on at least two of the respective timings with which the uplink RACH message was received by the plurality of neighbor base stations.
15. The method of claim 11, further comprising transmitting a sounding reference signal (SRS) transmission, wherein the SRS transmission and the uplink RACH message are used to estimate a position of the UE.
16. The method of claim 15, further comprising:
 - receiving, from the base station, information that identifies respective timings with which the SRS transmission was received by a plurality of neighbor base stations; and
 - estimating a position of the UE based at least in part on at least two of the respective timings with which the SRS transmission was received by the plurality of neighbor base stations.
17. The method of claim 11, wherein the instruction is received in a physical downlink control channel.
18. The method of claim 11, further comprising:
 - transmitting, to the base station, a request to trigger transmission of the uplink RACH message for positioning; and

receiving the instruction that triggers the UE to transmit the uplink RACH message based at least in part on transmitting the request.

19. The method of claim 18, further comprising:
detecting a time aliasing issue associated with determining a position of the UE;
and
transmitting the request based at least in part on detecting the time aliasing issue.

20. A base station for wireless communication, comprising:
a memory; and
one or more processors operatively coupled to the memory, the memory and the one or more processors configured to:

transmit, to a user equipment (UE), an instruction that triggers the UE to transmit an uplink random access channel (RACH) message, the instruction identifying at least a RACH preamble index corresponding to a RACH preamble to be used for the uplink RACH message;

transmit, to a plurality of neighbor base stations, information that identifies at least the RACH preamble index;

receive the uplink RACH message from the UE;

receive, from the plurality of neighbor base stations, feedback that indicates respective timings with which the uplink RACH message was received by the plurality of neighbor base stations; and

estimate a position of the UE based at least in part on a timing with which the uplink RACH message was received by the base station and at least two of the respective timings with which the uplink RACH message was received by the plurality of neighbor base stations.

21. A non-transitory computer-readable medium storing one or more instructions for wireless communication, the one or more instructions comprising:

one or more instructions that, when executed by one or more processors of a base station, cause the one or more processors to:

transmit, to a user equipment (UE), an instruction that triggers the UE to transmit an uplink random access channel (RACH) message, the instruction

identifying at least a RACH preamble index corresponding to a RACH preamble to be used for the uplink RACH message;

transmit, to a plurality of neighbor base stations, information that identifies at least the RACH preamble index;

receive the uplink RACH message from the UE;

receive, from the plurality of neighbor base stations, feedback that indicates respective timings with which the uplink RACH message was received by the plurality of neighbor base stations; and

estimate a position of the UE based at least in part on a timing with which the uplink RACH message was received by the base station and at least two of the respective timings with which the uplink RACH message was received by the plurality of neighbor base stations.

22. An apparatus for wireless communication, comprising:

means for transmitting, to a user equipment (UE), an instruction that triggers the UE to transmit an uplink random access channel (RACH) message, the instruction identifying at least a RACH preamble index corresponding to a RACH preamble to be used for the uplink RACH message;

means for transmitting, to a plurality of neighbor base stations, information that identifies at least the RACH preamble index;

means for receiving the uplink RACH message from the UE;

means for receiving, from the plurality of neighbor base stations, feedback that indicates respective timings with which the uplink RACH message was received by the plurality of neighbor base stations; and

means for estimating a position of the UE based at least in part on a timing with which the uplink RACH message was received by the apparatus and at least two of the respective timings with which the uplink RACH message was received by the plurality of neighbor base stations.

23. A user equipment (UE) for wireless communication, comprising:

a memory; and

one or more processors operatively coupled to the memory, the memory and the one or more processors configured to:

receive, from a base station, an instruction that triggers the UE to transmit an uplink random access channel (RACH) message, the instruction identifying at least a RACH preamble index corresponding to a RACH preamble to be used for the uplink RACH message; and

transmit the uplink RACH message using the RACH preamble, the uplink RACH message being used to estimate a position of the UE.

24. A non-transitory computer-readable medium storing one or more instructions for wireless communication, the one or more instructions comprising:

one or more instructions that, when executed by one or more processors of a user equipment (UE), cause the one or more processors to:

receive, from a base station, an instruction that triggers the UE to transmit an uplink random access channel (RACH) message, the instruction identifying at least a RACH preamble index corresponding to a RACH preamble to be used for the uplink RACH message; and

transmit the uplink RACH message using the RACH preamble, the uplink RACH message being used to estimate a position of the UE.

25. An apparatus for wireless communication, comprising:

means for receiving, from a base station, an instruction that triggers the apparatus to transmit an uplink random access channel (RACH) message, the instruction identifying at least a RACH preamble index corresponding to a RACH preamble to be used for the uplink RACH message; and

means for transmitting the uplink RACH message using the RACH preamble, the uplink RACH message being used to estimate a position of the apparatus.

26. A method, device, apparatus, computer program product, non-transitory computer-readable medium, user equipment, base station, wireless communication device, and/or processing system as substantially described herein with reference to and as illustrated by the accompanying drawings and specification.

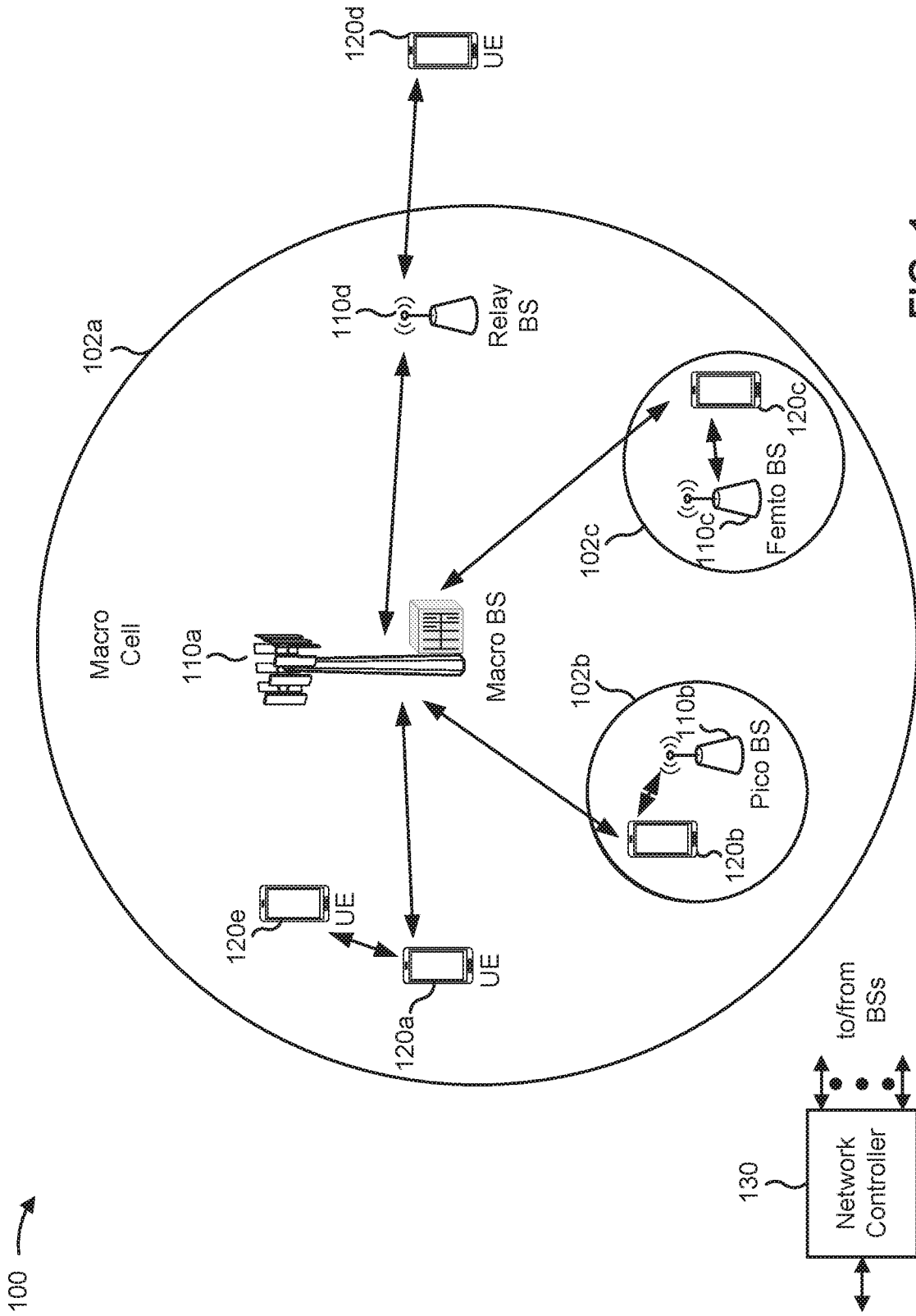


FIG. 1

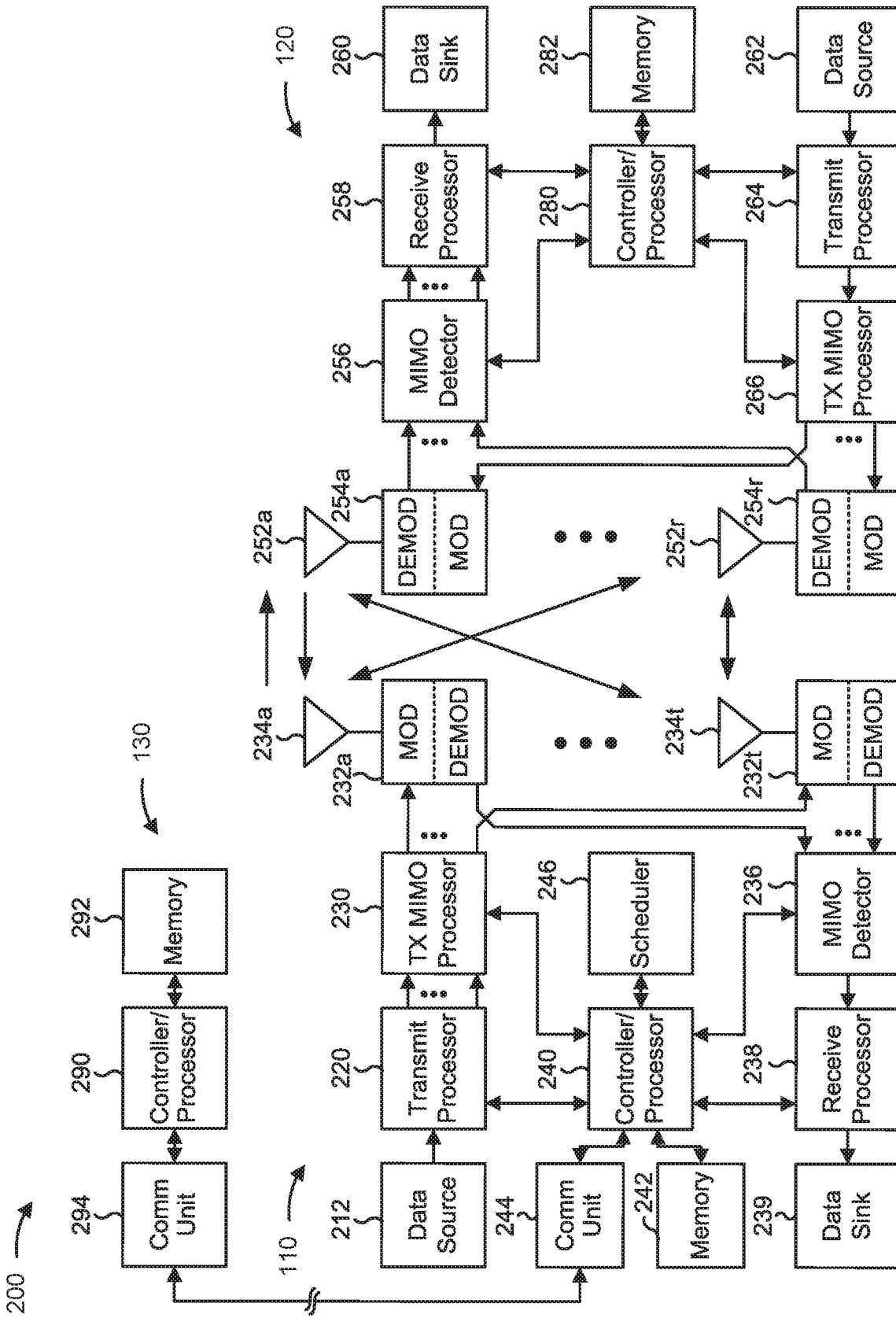


FIG. 2

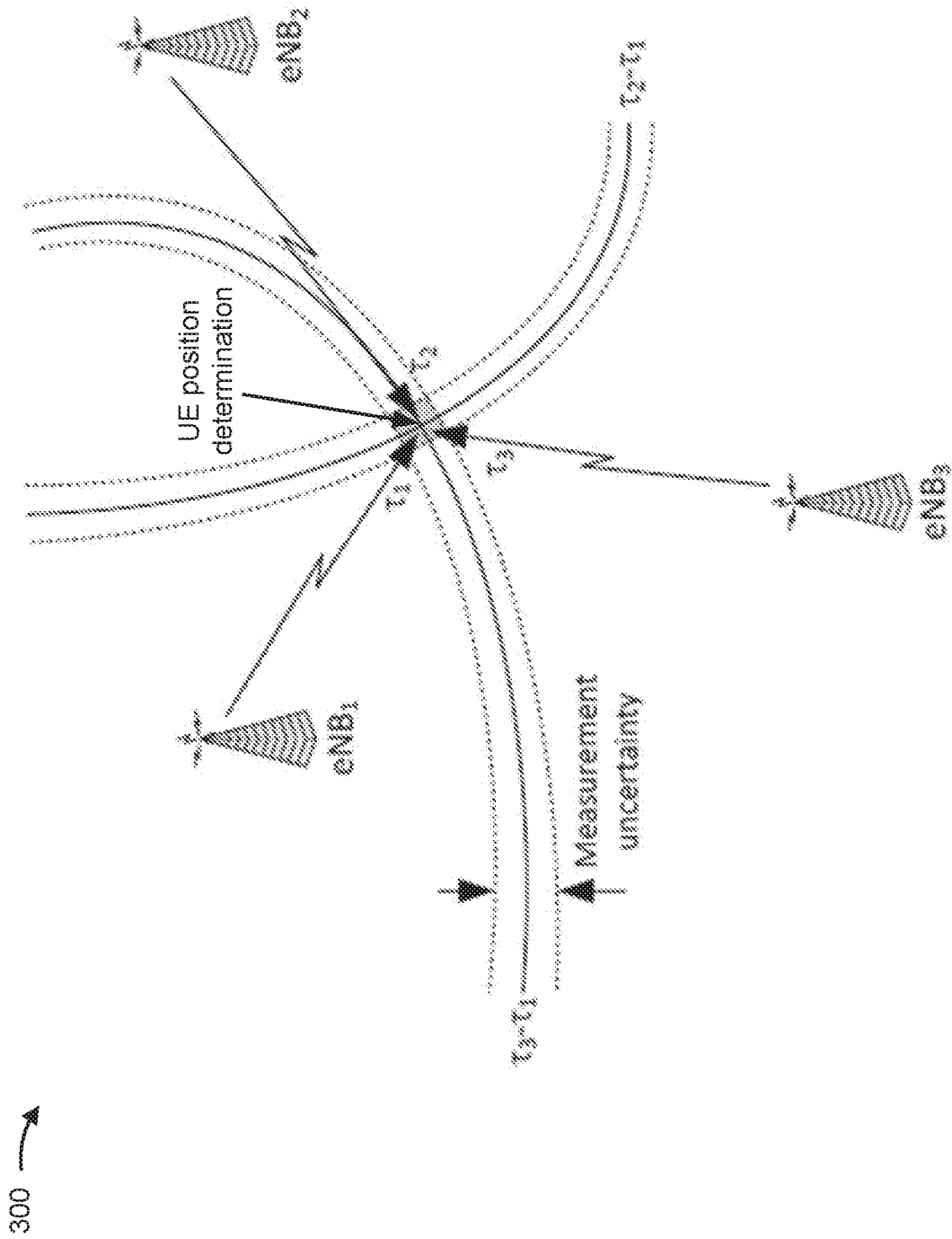


FIG. 3

500 →

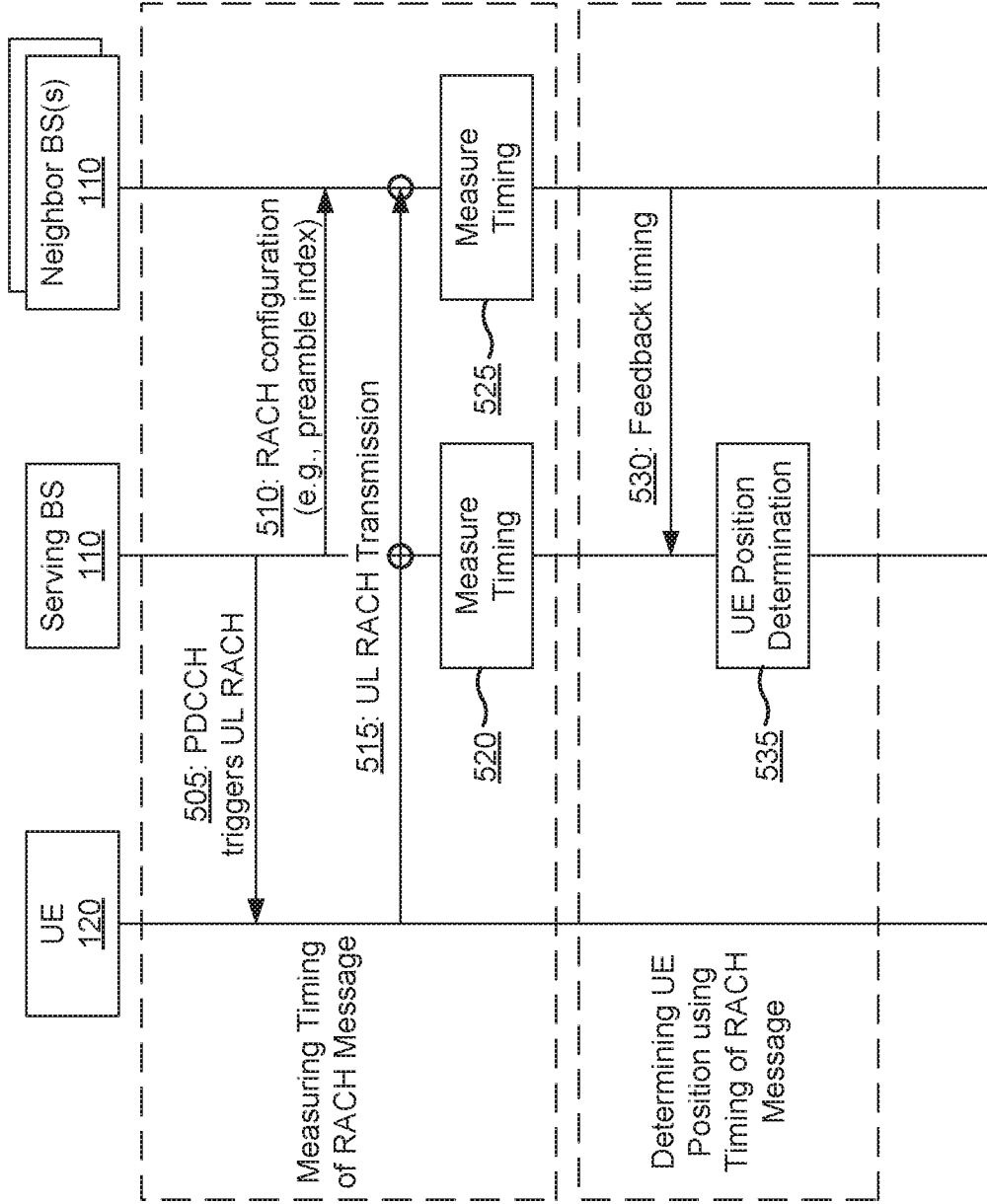


FIG. 5

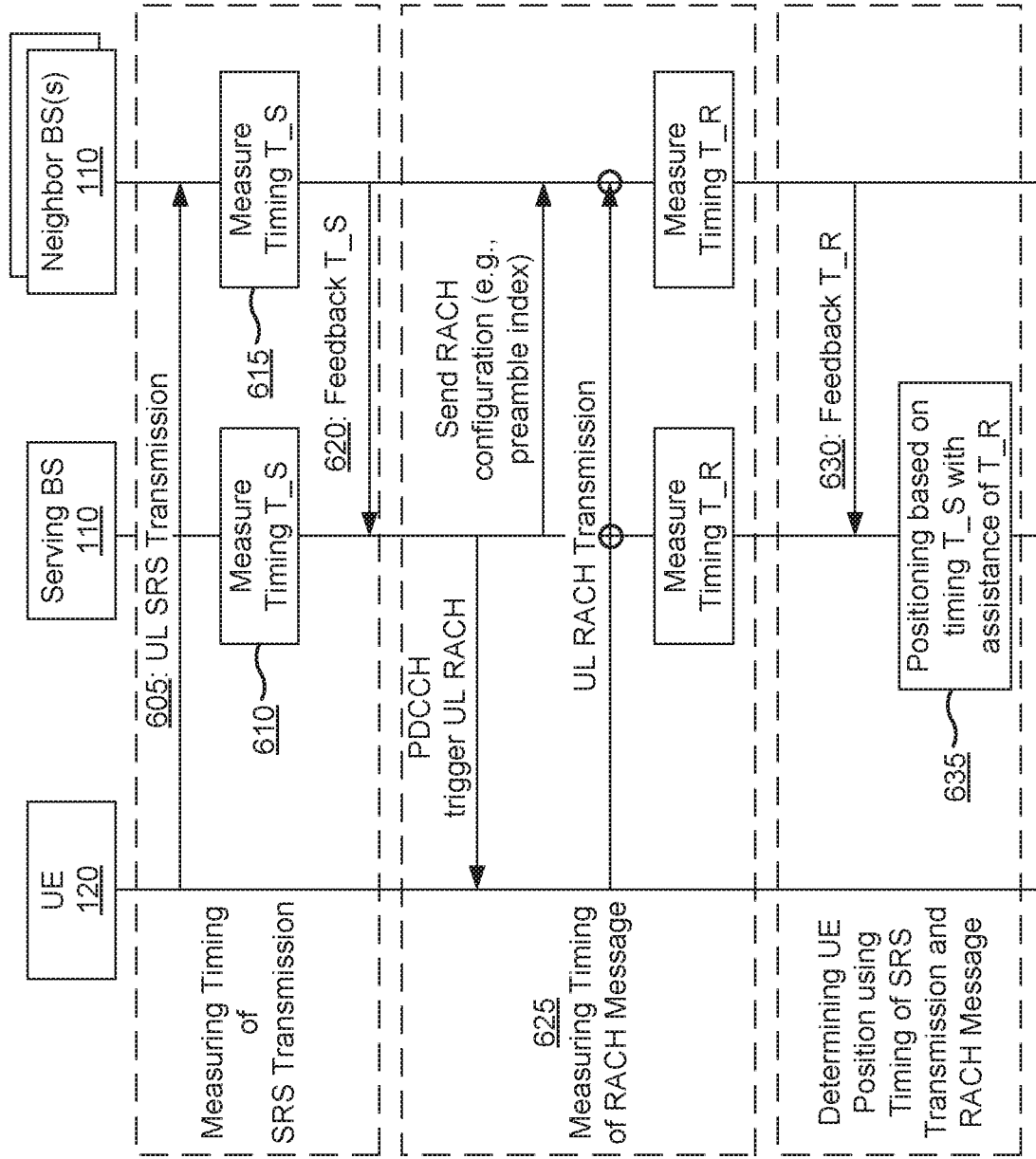


FIG. 6

700 →

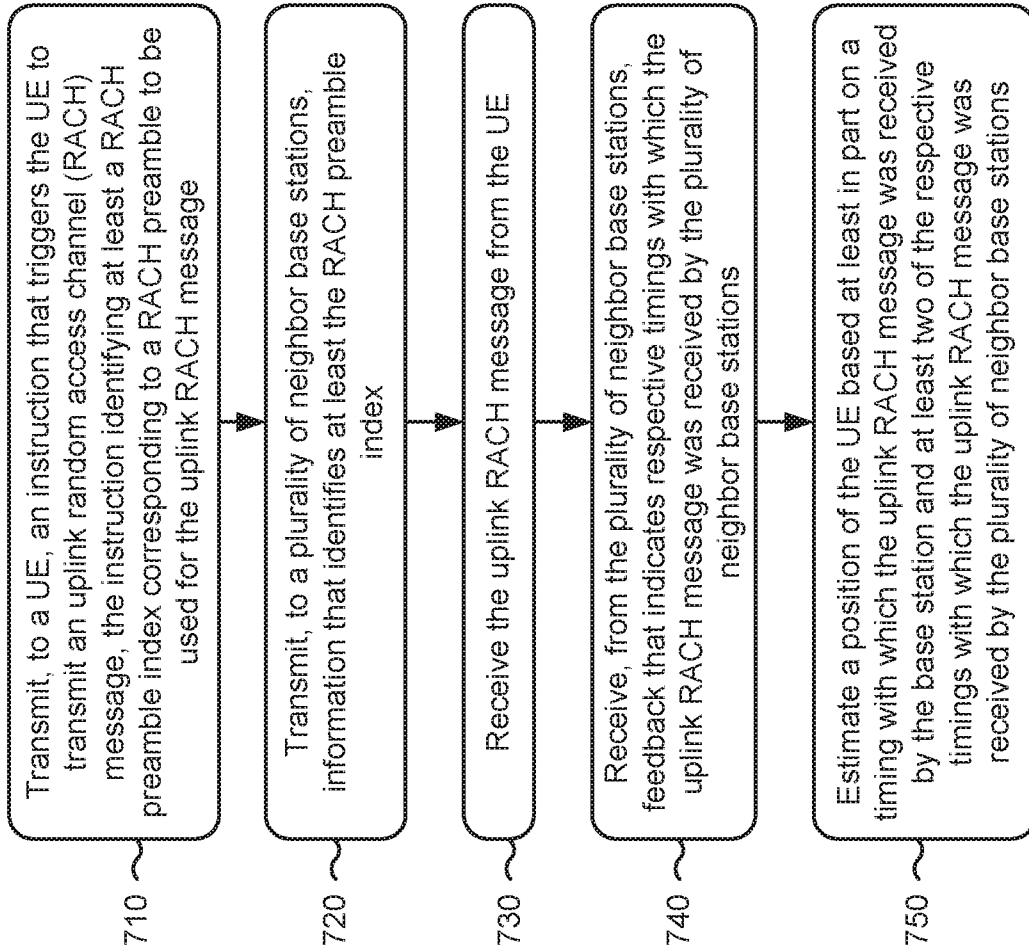


FIG. 7

800 →

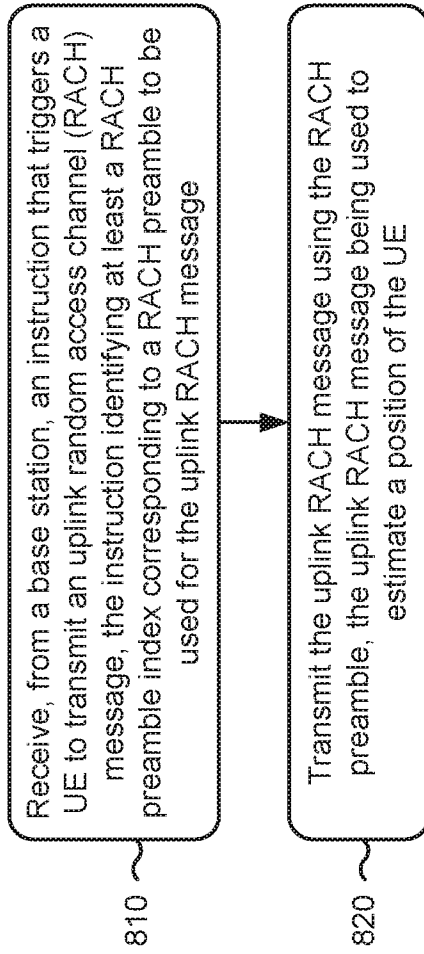


FIG. 8

INTERNATIONAL SEARCH REPORT

International application No.

PCT/CN2019/076324

A. CLASSIFICATION OF SUBJECT MATTER

H04W 64/00(2009.01)i; H04L 29/06(2006.01)i

According to International Patent Classification (IPC) or to both national classification and IPC

B. FIELDS SEARCHED

Minimum documentation searched (classification system followed by classification symbols)

H04L; H04W

Documentation searched other than minimum documentation to the extent that such documents are included in the fields searched

Electronic data base consulted during the international search (name of data base and, where practicable, search terms used)

CNABS,SIPOABS,VEN:base station, NodeB, BS, location, position, orientation, terminal, UE, multi+, preamble, more, RACH, index, assist+

C. DOCUMENTS CONSIDERED TO BE RELEVANT

Category*	Citation of document, with indication, where appropriate, of the relevant passages	Relevant to claim No.
X	WO 2018075401 A1 (QUALCOMM INC) 26 April 2018 (2018-04-26) description paragraphs 0030-0135	26
A	WO 2018075401 A1 (QUALCOMM INC) 26 April 2018 (2018-04-26) the whole document	1-25
A	CN 105393574 A (INTEL IP CORP) 09 March 2016 (2016-03-09) the whole document	1-26
A	CN 108702275 A (QUALCOMM INC) 23 October 2018 (2018-10-23) the whole document	1-26
A	CN 107197506 A (GOOGLE TECHNOLOGY HOLDINGS LLC) 22 September 2017 (2017-09-22) the whole document	1-26
A	CN 102550109 A (PANTECH CO LTD) 04 July 2012 (2012-07-04) the whole document	1-26



Further documents are listed in the continuation of Box C.



See patent family annex.

* Special categories of cited documents:

"A" document defining the general state of the art which is not considered to be of particular relevance

"D" document cited by the applicant in the international application

"E" earlier application or patent but published on or after the international filing date

"L" document which may throw doubts on priority claim(s) or which is cited to establish the publication date of another citation or other special reason (as specified)

"O" document referring to an oral disclosure, use, exhibition or other means

"P" document published prior to the international filing date but later than the priority date claimed

"T" later document published after the international filing date or priority date and not in conflict with the application but cited to understand the principle or theory underlying the invention

"X" document of particular relevance; the claimed invention cannot be considered novel or cannot be considered to involve an inventive step when the document is taken alone

"Y" document of particular relevance; the claimed invention cannot be considered to involve an inventive step when the document is combined with one or more other such documents, such combination being obvious to a person skilled in the art

"&" document member of the same patent family

Date of the actual completion of the international search

07 November 2019

Date of mailing of the international search report

05 December 2019

Name and mailing address of the ISA/CN

National Intellectual Property Administration, PRC
6, Xitucheng Rd., Jimen Bridge, Haidian District, Beijing
100088
China

Authorized officer

LI, Yan

Facsimile No. (86-10)62019451

Telephone No. 86-(010)-62412003

INTERNATIONAL SEARCH REPORT
Information on patent family members

International application No.

PCT/CN2019/076324

Patent document cited in search report			Publication date (day/month/year)	Patent family member(s)			Publication date (day/month/year)
WO	2018075401	A1	26 April 2018	CN	109845351	A	04 June 2019
				US	10320475	B2	11 June 2019
				EP	3530041	A1	28 August 2019
				US	2018115363	A1	26 April 2018

CN	105393574	A	09 March 2016	WO	2015021152	A1	12 February 2015
				KR	20160033686	A	28 March 2016
				JP	2016534617	A	04 November 2016
				HK	1222284	A1	23 June 2017
				US	2016219445	A1	28 July 2016
				US	9398465	B2	19 July 2016
				JP	2018117380	A	26 July 2018
				EP	3031229	A1	15 June 2016
				EP	3031229	A4	22 March 2017
				JP	6361040	B2	25 July 2018
				US	9918238	B2	13 March 2018
				KR	20170102386	A	08 September 2017
				US	2015045043	A1	12 February 2015
				KR	101774416	B1	04 September 2017

CN	108702275	A	23 October 2018	US	2017238298	A1	17 August 2017
				WO	2017142725	A2	24 August 2017
				WO	2017142725	A3	28 September 2017
				BR	112018016661	A2	26 December 2018
				KR	20180114042	A	17 October 2018
				TW	201731311	A	01 September 2017
				AU	2017221184	A1	02 August 2018
				JP	2019505145	A	21 February 2019
				EP	3417567	A2	26 December 2018

CN	107197506	A	22 September 2017	CN	103283283	A	04 September 2013
				KR	20130100360	A	10 September 2013
				EP	2824975	A1	14 January 2015
				CN	103283283	B	06 June 2017
				KR	101506415	B1	26 March 2015
				MX	2013007516	A	16 September 2013
				US	2012163305	A1	28 June 2012
				EP	2659715	B1	03 December 2014
				US	8902830	B2	02 December 2014
				KR	101726028	B1	11 April 2017
				EP	2824975	B1	16 March 2016
				KR	20140105617	A	01 September 2014
				BR	112013016787	A2	11 October 2016
				CN	107197506	B	16 April 2019
				EP	2659715	A1	06 November 2013
WO	2012092066	A1	05 July 2012				

CN	102550109	A	04 July 2012	WO	2011021849	A2	24 February 2011
				US	2012147844	A1	14 June 2012
				WO	2011021849	A3	21 July 2011
				JP	2013502810	A	24 January 2013
				WO	2011021849	A9	03 June 2011
				KR	20110019683	A	28 February 2011

