

(19) World Intellectual Property  
Organization  
International Bureau



(43) International Publication Date  
3 January 2003 (03.01.2003)

PCT

(10) International Publication Number  
**WO 2003/000346 A3**

(51) International Patent Classification<sup>7</sup>: **A62C 8/00**

(21) International Application Number:  
PCT/US2002/019446

(22) International Filing Date: 20 June 2002 (20.06.2002)

(25) Filing Language: English

(26) Publication Language: English

(30) Priority Data:  
60/300,069 25 June 2001 (25.06.2001) US  
10/163,355 7 June 2002 (07.06.2002) US

(71) Applicant (for all designated States except US): **PTS TECHNOLOGIES, L.L.C.** [US/US]; 2797 Dover Road, N.W., Atlanta, GA 30327 (US).

(72) Inventors; and

(75) Inventors/Applicants (for US only): **SILVERSTEIN, Leonard, A.** [US/US]; 2797 Dover Road, N.W., Atlanta, GA 30327 (US). **BAUMGART, Jurgen** [US/US]; 17102 Twain Lane, Huntington Beach, CA 92649 (US).

(74) Agent: **SPRINGER, Kenneth, D.**; Volentine, Francos, P.L.L.C., 12200 Sunrise Valley Drive, Suite 150, Reston, VA 20191 (US).

(81) Designated States (national): AE, AG, AL, AM, AT, AU, AZ, BA, BB, BG, BR, BY, BZ, CA, CH, CN, CO, CR, CU, CZ, DE, DK, DM, DZ, EC, EE, ES, FI, GB, GD, GE, GH, GM, HR, HU, ID, IL, IN, IS, JP, KE, KG, KP, KR, KZ, LC, LK, LR, LS, LT, LU, LV, MA, MD, MG, MK, MN, MW, MX, MZ, NO, NZ, OM, PH, PL, PT, RO, RU, SD, SE, SG, SI, SK, SL, TJ, TM, TN, TR, TT, TZ, UA, UG, US, UZ, VN, YU, ZA, ZM, ZW.

(84) Designated States (regional): ARIPO patent (GH, GM, KE, LS, MW, MZ, SD, SL, SZ, TZ, UG, ZM, ZW), Eurasian patent (AM, AZ, BY, KG, KZ, MD, RU, TJ, TM), European patent (AT, BE, CH, CY, DE, DK, ES, FI, FR, GB, GR, IE, IT, LU, MC, NL, PT, SE, TR), OAPI patent (BF, BJ, CF, CG, CI, CM, GA, GN, GQ, GW, ML, MR, NE, SN, TD, TG).

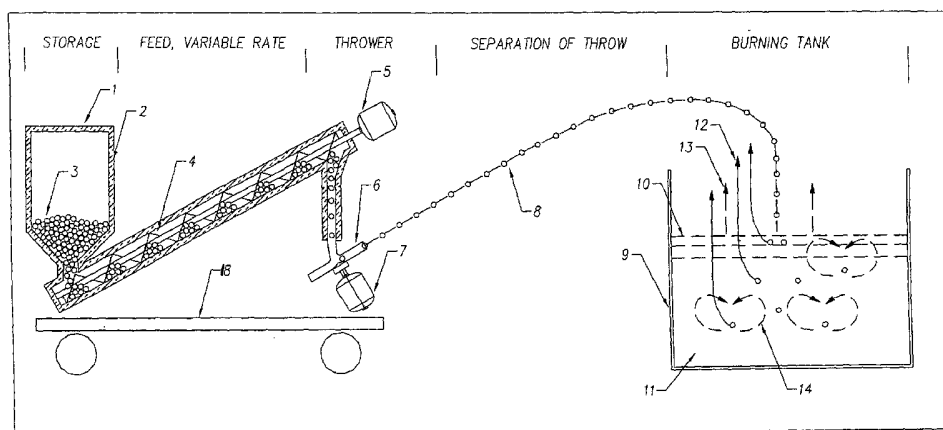
**Published:**

- with international search report
- before the expiration of the time limit for amending the claims and to be republished in the event of receipt of amendments

(88) Date of publication of the international search report:  
1 April 2004

For two-letter codes and other abbreviations, refer to the "Guidance Notes on Codes and Abbreviations" appearing at the beginning of each regular issue of the PCT Gazette.

(54) Title: SYSTEM AND METHOD FOR TREATING FIRES



(57) Abstract: Fires in tanks storing combustible liquids are treated by introducing a fire extinguishing media comprising frozen projectiles onto the surface of the burning liquid. The media is applied across the surface of the burning fluid to extinguish the fire and prevent its re-ignition.

WO 2003/000346 A3

# INTERNATIONAL SEARCH REPORT

International application No.

PCT/US02/19446

<b>A. CLASSIFICATION OF SUBJECT MATTER</b> IPC(7) : A 62 C 8/00 US CL : 169/36, 54, 46, 47; 124/4, 81, 6, 82 According to International Patent Classification (IPC) or to both national classification and IPC		
<b>B. FIELDS SEARCHED</b> Minimum documentation searched (classification system followed by classification symbols) U.S. : 169/36, 54, 46, 47, 43, 66-70; 124/4, 81, 6, 82 Documentation searched other than minimum documentation to the extent that such documents are included in the fields searched Electronic data base consulted during the international search (name of data base and, where practicable, search terms used)		
<b>C. DOCUMENTS CONSIDERED TO BE RELEVANT</b>		
Category *	Citation of document, with indication, where appropriate, of the relevant passages	Relevant to claim No.
X	US 4 836 292 A (BEHRINGER) 06 June 1989, see entire document.	1-31
A, P	US 2002/0017388 A1 (EDWARDS et al.) 14 February 2002, see entire document.	1-31
A, P	US 6 298 945 B1 (ANDERS et al.) 09 October 2001, see entire document.	1-31
<input type="checkbox"/> Further documents are listed in the continuation of Box C. <input type="checkbox"/> See patent family annex.		
* Special categories of cited documents:		
"A"	document defining the general state of the art which is not considered to be of particular relevance	"T" later document published after the international filing date or priority date and not in conflict with the application but cited to understand the principle or theory underlying the invention
"E"	earlier application or patent published on or after the international filing date	"X" document of particular relevance; the claimed invention cannot be considered novel or cannot be considered to involve an inventive step when the document is taken alone
"L"	document which may throw doubts on priority claim(s) or which is cited to establish the publication date of another citation or other special reason (as specified)	"Y" document of particular relevance; the claimed invention cannot be considered to involve an inventive step when the document is combined with one or more other such documents, such combination being obvious to a person skilled in the art
"O"	document referring to an oral disclosure, use, exhibition or other means	"&" document member of the same patent family
"P"	document published prior to the international filing date but later than the priority date claimed	
Date of the actual completion of the international search	Date of mailing of the international search report	
07 January 2004 (07.01.2004)	27 JAN 2004	
Name and mailing address of the ISA/US	Authorized officer	
Mail Stop PCT, Attn: ISA/US Commissioner for Patents P.O. Box 1450 Alexandria, Virginia 22313-1450	ANDRES KASHNIKOW	
Facsimile No. (703) 305-3230	Telephone No. 703-308-3880	