

(12) INTERNATIONAL APPLICATION PUBLISHED UNDER THE PATENT COOPERATION TREATY (PCT)

(19) World Intellectual Property Organization  
International Bureau



(43) International Publication Date  
20 March 2003 (20.03.2003)

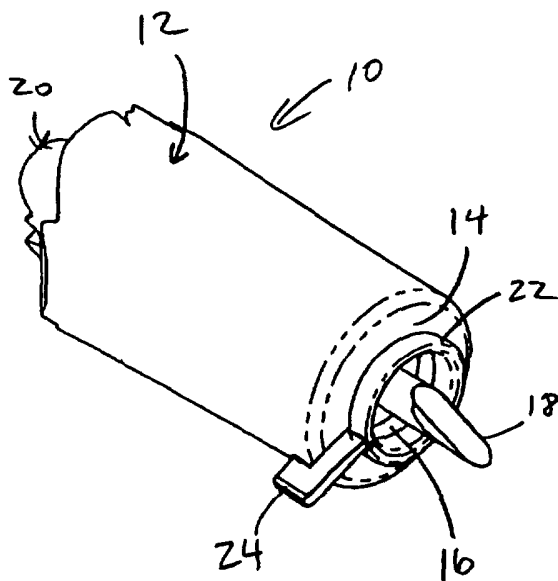
PCT

(10) International Publication Number  
WO 03/022331 A3

- (51) International Patent Classification<sup>7</sup>: A61B 17/14
- (21) International Application Number: PCT/US02/29204
- (22) International Filing Date:  
13 September 2002 (13.09.2002)
- (25) Filing Language: English
- (26) Publication Language: English
- (30) Priority Data:  
60/318,959 13 September 2001 (13.09.2001) US  
60/344,469 9 November 2001 (09.11.2001) US  
Not furnished 13 September 2002 (13.09.2002) US
- (71) Applicant (for all designated States except US): FACET TECHNOLOGIES, LLC [US/US]; 1850 Parkway Place, Suite 900, Marietta, GA 30067 (US).
- (72) Inventors; and  
(75) Inventors/Applicants (for US only): TAYLOR, William, C. [US/US]; 930 Autumn Close, Alpharetta, GA 30004 (US). KENNEDY, Gwenn, E. [US/US]; 5 North Lakeside Drive, Ellenwood, GA 30294 (US).
- (74) Agent: GROFF, Bradley, K.; Gardner Groff, P.C., Paper Mill Village, Building 23, 600 Village Trace, Suite 300, Marietta, GA 30067 (US).
- (81) Designated States (national): AE, AG, AL, AM, AT, AU, AZ, BA, BB, BG, BR, BY, BZ, CA, CH, CN, CO, CR, CU, CZ, DE, DK, DM, DZ, EC, EE, ES, FI, GB, GD, GE, GH, GM, HR, HU, ID, IL, IN, IS, JP, KE, KG, KP, KR, KZ, LC, LK, LR, LS, LT, LU, LV, MA, MD, MG, MK, MN, MW, MX, MZ, NO, NZ, OM, PH, PL, PT, RO, RU, SD, SE, SG, SI, SK, SL, TJ, TM, TN, TR, TT, TZ, UA, UG, US, UZ, VN, YU, ZA, ZM, ZW.
- (84) Designated States (regional): ARIPO patent (GH, GM, KE, LS, MW, MZ, SD, SL, SZ, TZ, UG, ZM, ZW), Eurasian patent (AM, AZ, BY, KG, KZ, MD, RU, TJ, TM), European patent (AT, BE, BG, CH, CY, CZ, DE, DK, EE, ES, FI, FR, GB, GR, IE, IT, LU, MC, NL, PT, SE, SK, TR), OAPI patent (BF, BJ, CF, CG, CI, CM, GA, GN, GQ, GW, ML, MR, NE, SN, TD, TG).
- Published:  
— with international search report
- (88) Date of publication of the international search report:  
16 October 2003

[Continued on next page]

(54) Title: ADJUSTABLE DEPTH LANCING DEVICE



(57) Abstract: A lancing housing (11) has an endcap (14) with an opening (16), and a lancet element (18) that extends through the opening and beyond the endcap an adjustable distance selected to provide the desired depth of needle penetration. In exemplary embodiments, the distance the needle extends from the endcap is adjusted by a removable raised ring (22) on the endcap, projections and cooperating recesses for positioning the endcap spaced apart from the housing, multi-positionable lancet element stops on the inside of the endcap, or a flip-out spacer adjacent the endcap. In preferred form, a disabling mechanism prevents re-arming the device after a single use. Additionally, a method of lancing the skin of a subject is provided for use with any adjustable penetration depth lancing device (10).

WO 03/022331 A3



---

*For two-letter codes and other abbreviations, refer to the "Guidance Notes on Codes and Abbreviations" appearing at the beginning of each regular issue of the PCT Gazette.*

INTERNATIONAL SEARCH REPORT

International application No.  
PCT/US02/29204

**A. CLASSIFICATION OF SUBJECT MATTER**  
 IPC(7) :A61B 17/14  
 US CL :606/181, 182, 183, 184, 185  
 According to International Patent Classification (IPC) or to both national classification and IPC

**B. FIELDS SEARCHED**  
 Minimum documentation searched (classification system followed by classification symbols)  
 U.S. : 606/181, 182, 183, 184, 185

Documentation searched other than minimum documentation to the extent that such documents are included in the fields searched  
 NONE

Electronic data base consulted during the international search (name of data base and, where practicable, search terms used)  
 NONE

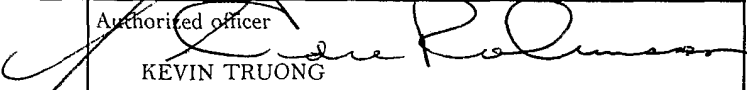
**C. DOCUMENTS CONSIDERED TO BE RELEVANT**

Category*	Citation of document, with indication, where appropriate, of the relevant passages	Relevant to claim No.
X	US 5,454,828 A (SCHRAGA) 03 October 1995, figures 5-9.	26-31
X	US 5,707,384 A (KIM) 13 January 1998, figures 1-3.	26-31

Further documents are listed in the continuation of Box C.  See patent family annex.

* Special categories of cited documents:	"T"	later document published after the international filing date or priority date and not in conflict with the application but cited to understand the principle or theory underlying the invention
"A" document defining the general state of the art which is not considered to be of particular relevance	"X"	document of particular relevance; the claimed invention cannot be considered novel or cannot be considered to involve an inventive step when the document is taken alone
"E" earlier document published on or after the international filing date	"Y"	document of particular relevance; the claimed invention cannot be considered to involve an inventive step when the document is combined with one or more other such documents, such combination being obvious to a person skilled in the art
"L" document which may throw doubts on priority claim(s) or which is cited to establish the publication date of another citation or other special reason (as specified)	"&"	document member of the same patent family
"O" document referring to an oral disclosure, use, exhibition or other means		
"P" document published prior to the international filing date but later than the priority date claimed		

Date of the actual completion of the international search 26 DECEMBER 2002	Date of mailing of the international search report <b>20 MAY 2003</b>
---	--

Name and mailing address of the ISA/US Commissioner of Patents and Trademarks Box PCT Washington, D.C. 20231 Facsimile No. (703) 305-3230	Authorized officer  KEVIN TRUONG Telephone No. (703) 308-0858
---	--