



US00D445121S

(12) **United States Design Patent** (10) **Patent No.:** **US D445,121 S**
Bonazzoli (45) **Date of Patent:** **** Jul. 17, 2001**

(54) **DRAINAGE DEVICE**

5,497,864 * 3/1996 Olsen 188/352
5,967,201 10/1999 Gasior .

(76) Inventor: **Stephen C Bonazzoli**, 700 High St.,
Clinton, MA (US) 01510

* cited by examiner

(**) Term: **14 Years**

Primary Examiner—Antoine Duval Davis

(21) Appl. No.: **29/132,161**

(57) **CLAIM**

(22) Filed: **Nov. 3, 2000**

The ornamental design for a drainage device, as shown and described.

(51) **LOC (7) Cl.** **15-09**

DESCRIPTION

(52) **U.S. Cl.** **D15/150**

FIG. 1 is a front elevational view of the drainage device of the present invention, the rear view being a mirror image thereof;

(58) **Field of Search** D15/150-152;
141/67, 114, 98, 106, 132; 188/392; D9/520,
337, 521

FIG. 2 is a right side elevational view of the drainage device of FIG. 1;

(56) **References Cited**

U.S. PATENT DOCUMENTS

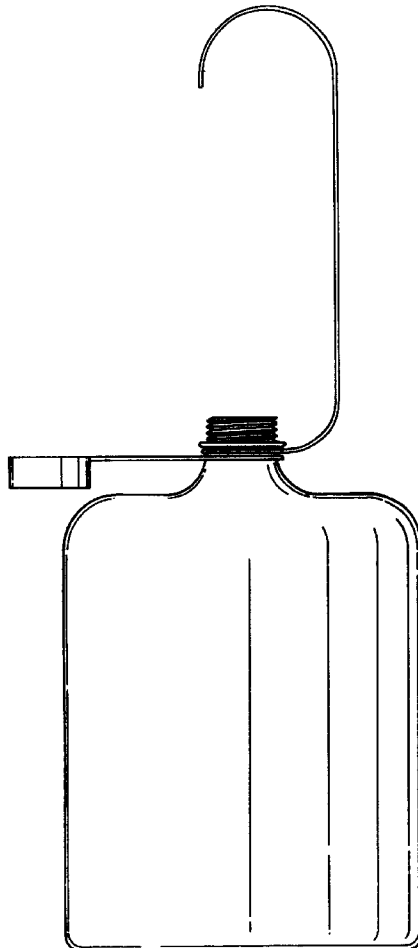
D. 221,886	*	9/1971	Gruett	D15/150
D. 415,029		10/1999	Fenton et al.	.	
2,069,606		2/1937	Gary et al.	.	
3,301,282		1/1967	Fresolone	.	
3,635,262		1/1972	Stebbins	.	
4,905,731		3/1990	Tamashiro et al.	.	

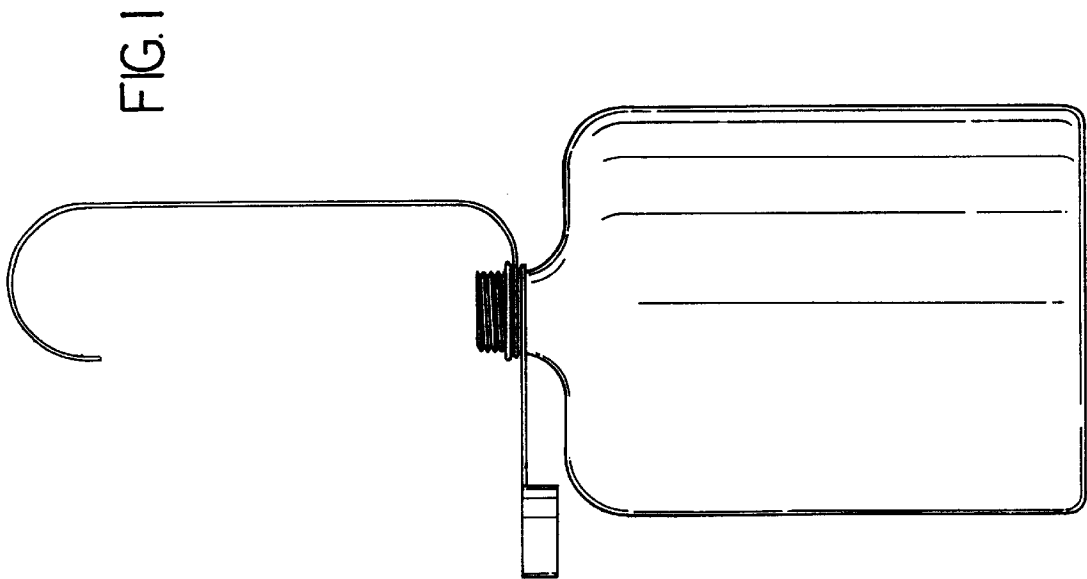
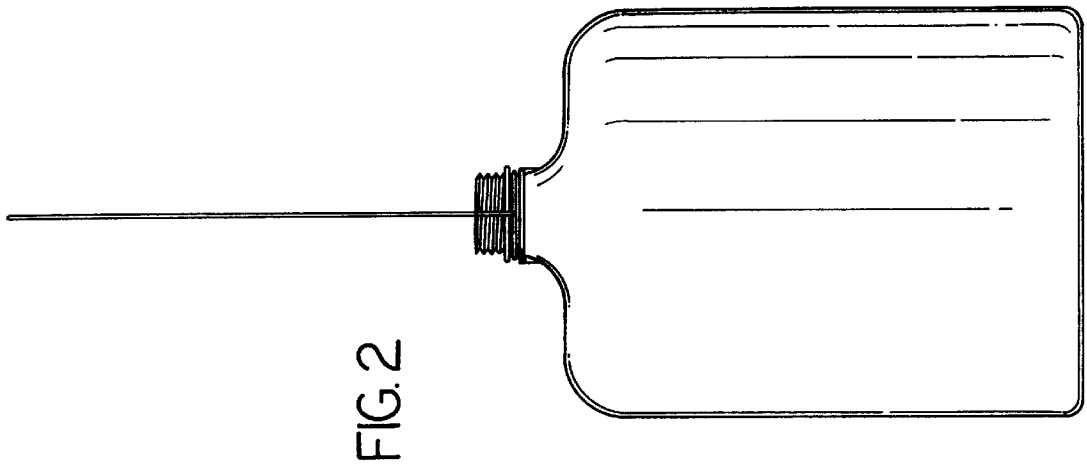
FIG. 3 is a left side elevational view of the drainage device of FIG. 1;

FIG. 4 is a top plan view of the drainage device of FIG. 1; and,

FIG. 5 is a bottom plan view of the drainage device of FIG. 1.

1 Claim, 2 Drawing Sheets





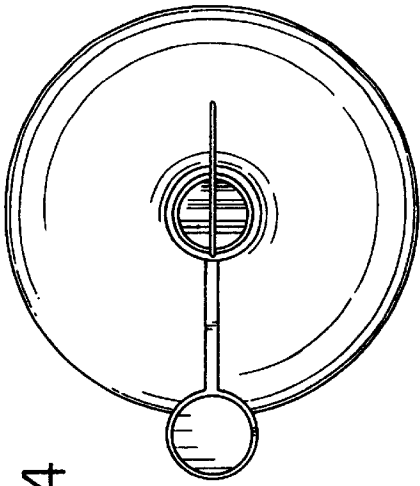


FIG. 4

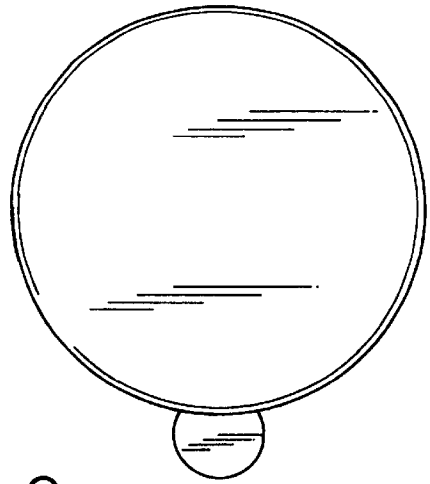


FIG. 5

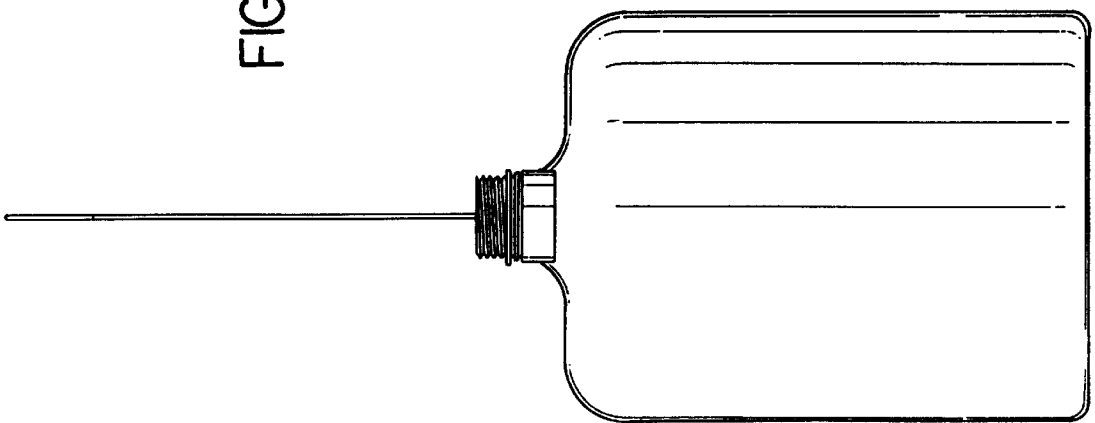


FIG. 3