



US00D588100S

(12) **United States Design Patent**  
**Densho et al.**

(10) **Patent No.:** **US D588,100 S**

(45) **Date of Patent:** **\*\* Mar. 10, 2009**

(54) **HEADPHONE**

(75) Inventors: **Keiko Densho**, Tokyo (JP); **Yasuhide Hosoda**, Tokyo (JP)

(73) Assignee: **Sony Corporation**, Tokyo (JP)

(\*\*) Term: **14 Years**

(21) Appl. No.: **29/300,395**

(22) Filed: **Mar. 21, 2008**

(30) **Foreign Application Priority Data**

Sep. 25, 2007 (JP) ..... D2007-025828

(51) **LOC (9) Cl.** ..... **14-01**

(52) **U.S. Cl.** ..... **D14/205**

(58) **Field of Classification Search** ..... D14/205,  
D14/206, 223, 192, 188; 181/129, 130; 379/430,  
379/431, 433; 381/380, 381, 370, 375, 376,  
381/377, 378, 379; D29/112; 2/209; 128/867  
See application file for complete search history.

(56) **References Cited**

**U.S. PATENT DOCUMENTS**

4,404,434	A *	9/1983	Pelt et al. ....	381/383
D313,092	S *	12/1990	Nilsson ..... D29/112	
5,369,857	A *	12/1994	Sacherman et al. ....	29/594
5,581,627	A *	12/1996	Bowser et al. ....	381/370
5,996,123	A *	12/1999	Leight et al. ....	2/209
6,385,325	B1 *	5/2002	Nageno et al. ....	381/374
6,449,806	B1 *	9/2002	Engelhard et al. ....	24/3.1
D476,639	S *	7/2003	Bergeron et al. ....	D14/205
6,611,963	B2 *	9/2003	Woo et al. ....	2/209
D484,485	S *	12/2003	Matsuoka ..... D14/205	
6,654,966	B2 *	12/2003	Rolla ..... 2/209	

D492,943	S *	7/2004	Komiyama ..... D14/205	
D505,411	S *	5/2005	Sakai ..... D14/192	
D512,708	S *	12/2005	Harris et al. ....	D14/205
D534,155	S *	12/2006	Obata ..... D14/205	
D534,156	S *	12/2006	Obata ..... D14/205	
7,172,052	B2 *	2/2007	Lenhard-Backhaus ..... 181/129	
D538,261	S *	3/2007	Taylor et al. ....	D14/205
D540,301	S *	4/2007	Obata ..... D14/205	
D540,777	S *	4/2007	Rausch et al. ....	D14/205
D541,255	S *	4/2007	Taylor et al. ....	D14/205
7,245,735	B2 *	7/2007	Han ..... 381/371	
D556,187	S *	11/2007	Feng ..... D14/205	
D573,581	S *	7/2008	Gondo et al. ....	D14/205
D576,604	S *	9/2008	Suzuki ..... D14/205	

\* cited by examiner

*Primary Examiner*—Paula Greene

*(74) Attorney, Agent, or Firm*—Rader, Fishman & Grauer, PLLC

(57) **CLAIM**

The ornamental design for a headphone, as shown.

**DESCRIPTION**

FIG. 1 is a perspective view of a headphone showing our new design;

FIG. 2 is a front elevational view thereof;

FIG. 3 is a rear elevational view thereof;

FIG. 4 is a left side elevational view thereof;

FIG. 5 is a right side elevational view thereof;

FIG. 6 is a top plan view thereof; and,

FIG. 7 is a bottom plan view thereof.

**1 Claim, 7 Drawing Sheets**

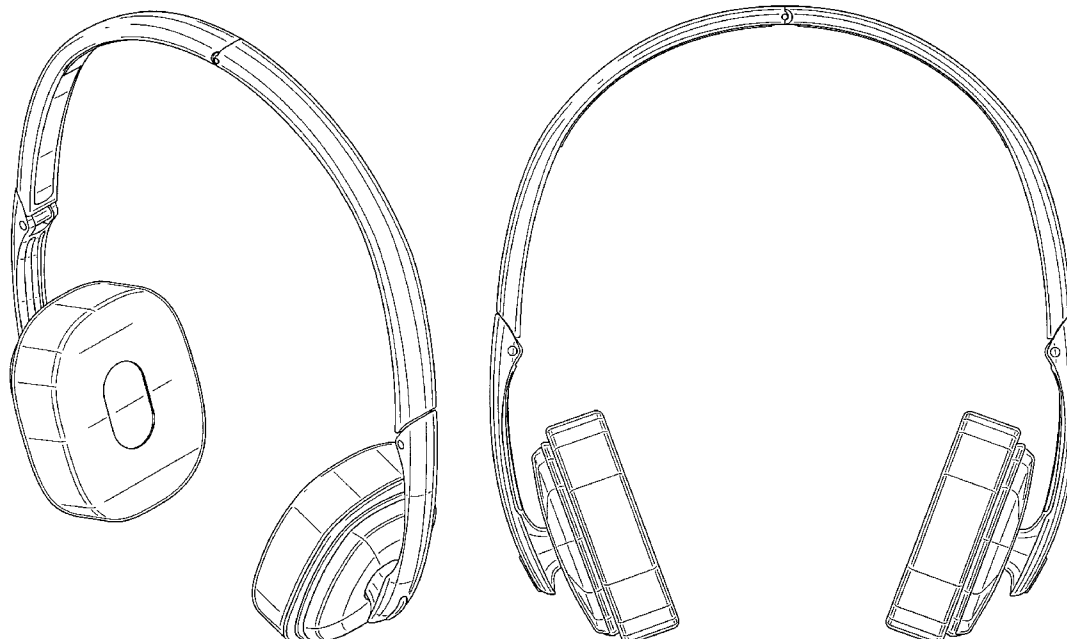


FIG.1

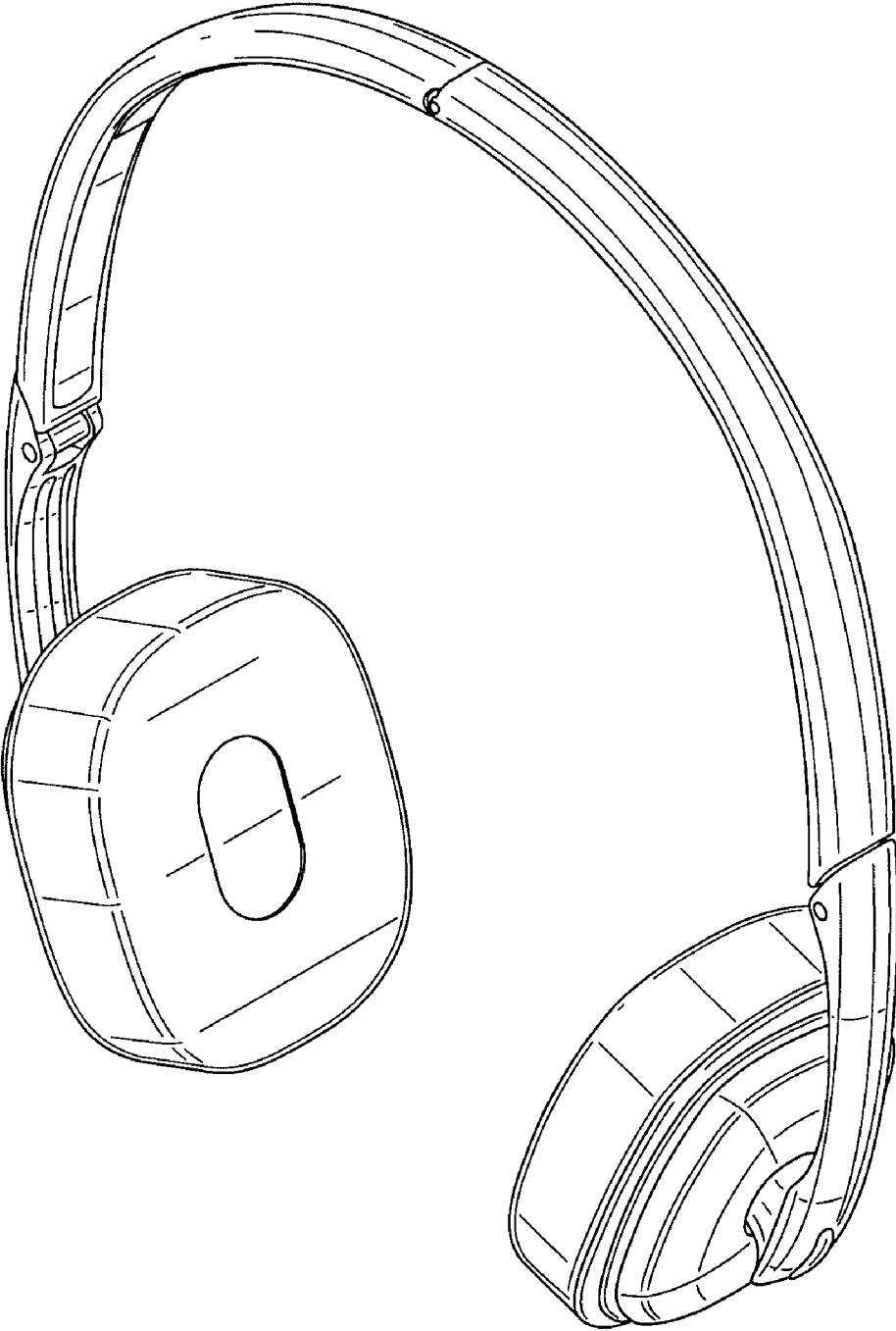


FIG.2

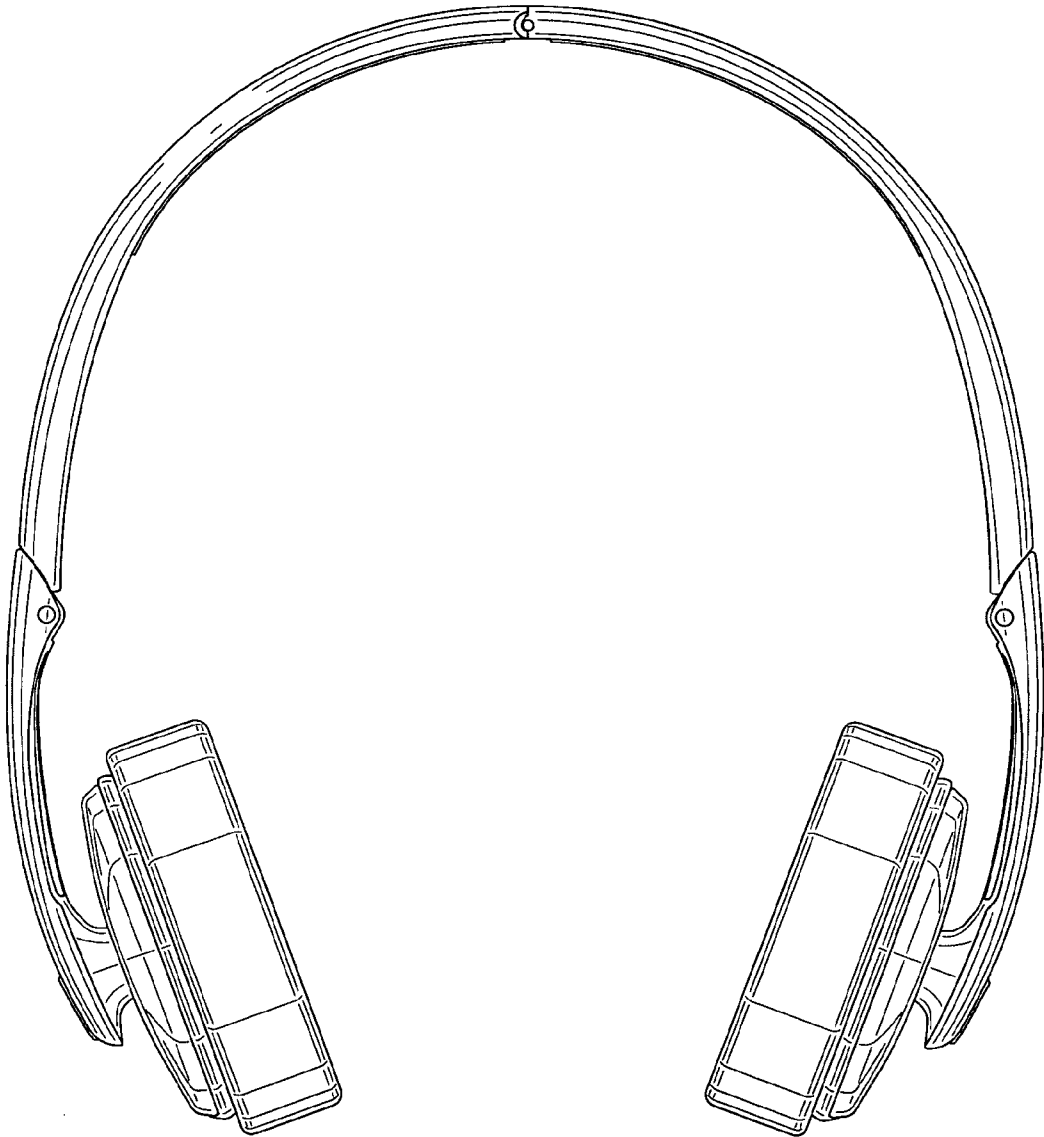


FIG.3



FIG.4

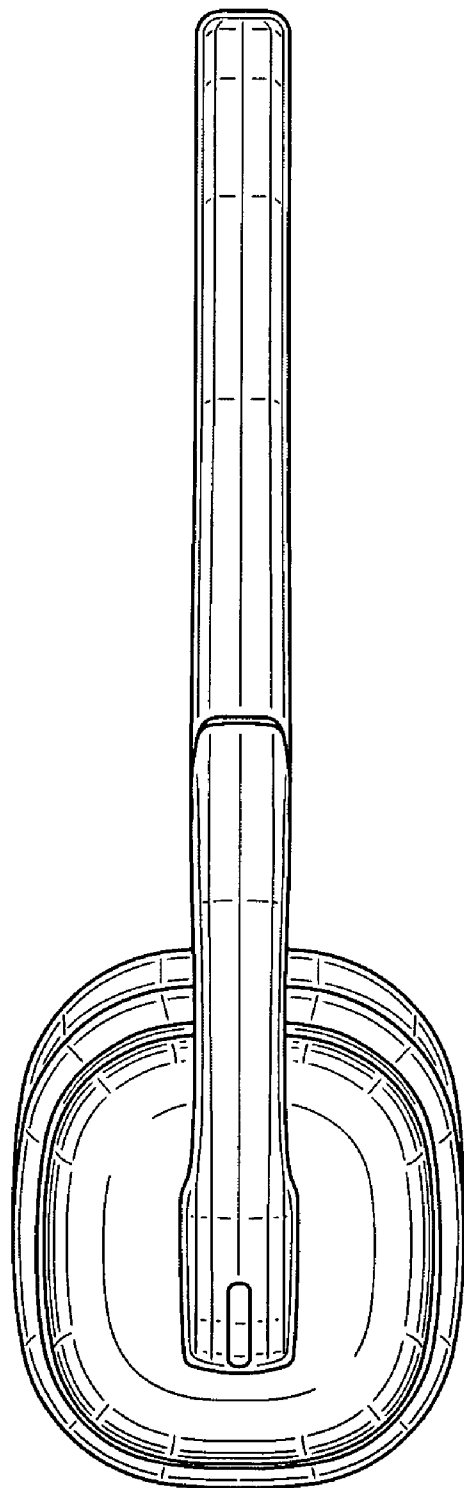


FIG.5

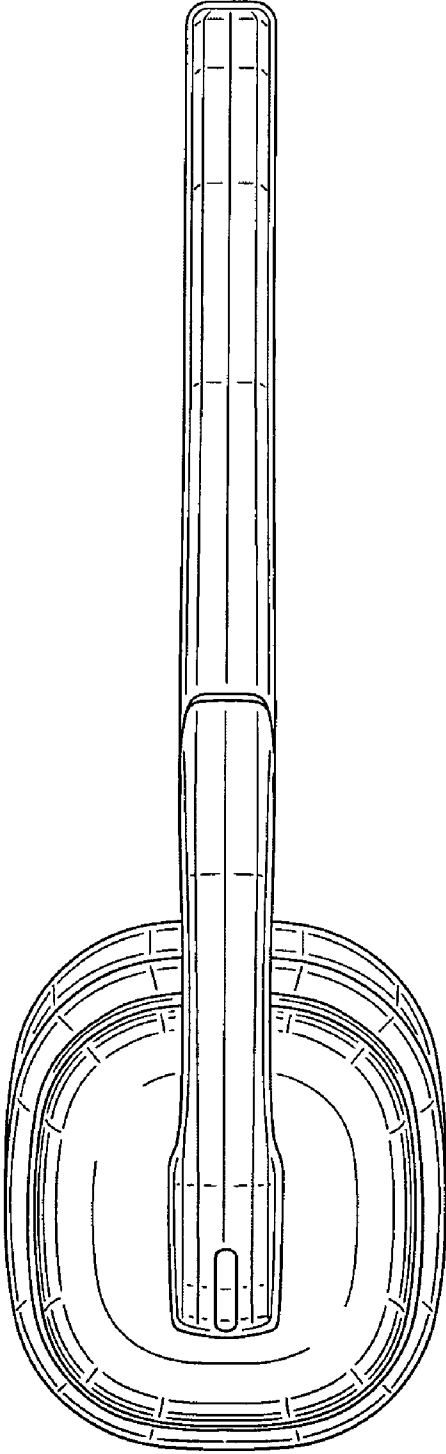


FIG.6

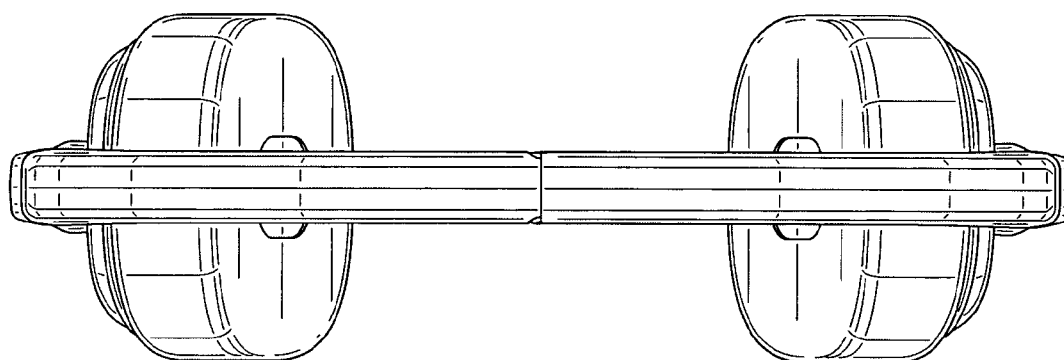


FIG.7

