



US00D670808S

(12) **United States Design Patent**
Moua et al.

(10) **Patent No.:** **US D670,808 S**

(45) **Date of Patent:** **** Nov. 13, 2012**

(54) **OPEN VESSEL SEALING FORCEPS**

(75) Inventors: **Tony Moua**, Broomfield, CO (US);
Thomas Meiser, Lakewood, CO (US);
Ryan C. Artale, Boulder, CO (US);
Luke Waaler, Longmont, CO (US);
Robert M. Sharp, Boulder, CO (US);
Mark J. Huseman, Broomfield, CO
(US); **Jeffrey M. Roy**, Boulder, CO
(US); **Roland Jeffrey Wyatt**, Bozeman,
MT (US); **Dylan R. Kingsley**,
Broomfield, CO (US); **Cynthia M.**
Perry, Golden, CO (US); **Andrew P.**
Roussell, Broomfield, CO (US);
Meghan Collins Long, Centennial, CO
(US)

(73) Assignee: **TYCO Healthcare Group LP**,
Mansfield, MA (US)

(**) Term: **14 Years**

(21) Appl. No.: **29/376,124**

(22) Filed: **Oct. 1, 2010**

(51) **LOC (9) Cl.** **24-02**

(52) **U.S. Cl.** **D24/144**

(58) **Field of Classification Search** D24/133,
D24/153, 143-144, 146-148; 606/40-41,
606/42, 45, 48-52, 205-208

See application file for complete search history.

(56) **References Cited**

U.S. PATENT DOCUMENTS

D249,549 S 9/1978 Pike
(Continued)

FOREIGN PATENT DOCUMENTS

DE 2415263 10/1975
(Continued)

OTHER PUBLICATIONS

Covidien's LigaSure Curved, Small Jaw, Open Sealer/Divider
Cleared in US. 2004-2011 [retrieved on Jan. 19, 2012]. Retrieved
from the Internet: <URL: [http://medgadget.com/2011/02/
covidians_ligasure_curved_small_jaw_open_sealerdivider...](http://medgadget.com/2011/02/covidians_ligasure_curved_small_jaw_open_sealerdivider...)
>.*

(Continued)

Primary Examiner — Wan Laymon

(57)

CLAIM

The ornamental design for an open vessel sealing forceps, as
shown and described.

DESCRIPTION

FIG. 1 is a left side perspective view of an open vessel sealing
forceps of the present design;

FIG. 2 is a front view of the open vessel sealing forceps of
FIG. 1;

FIG. 3 is a rear view of the open vessel sealing forceps of FIG.
1;

FIG. 4 is a bottom view of the open vessel sealing forceps of
FIG. 1;

FIG. 5 is a top view of the open vessel sealing forceps of FIG.
1;

FIG. 6 is a right, side view of the open vessel sealing forceps
of FIG. 1;

FIG. 7 is a left, side view of the open vessel sealing forceps of
FIG. 1;

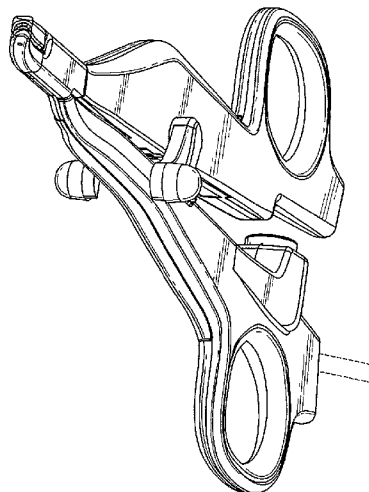
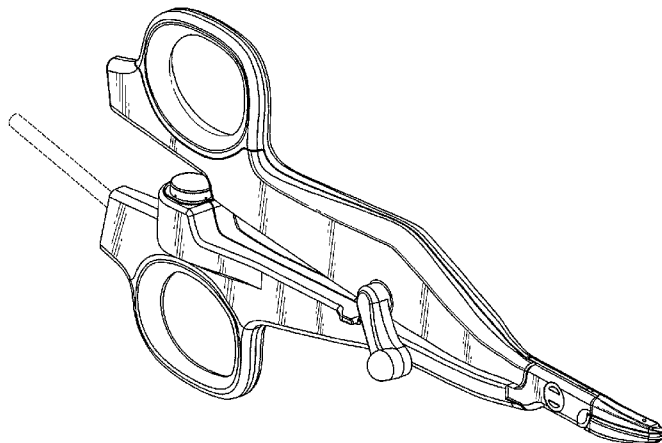
FIG. 8 is a right, front perspective view of the open vessel
sealing forceps of FIG. 1;

FIG. 9 is a left, rear perspective view of the open vessel
sealing forceps of FIG. 1; and,

FIG. 10 is a left, front perspective view of the open vessel
sealing forceps of FIG. 1.

The broken lines immediately adjacent the claimed areas in
FIG. 5 represent the bounds of the claimed design while all
other broken lines represent environmental structure and are
for illustrative purposes only; the broken lines form no part of
the claimed design.

1 Claim, 7 Drawing Sheets



US D670,808 S

U.S. PATENT DOCUMENTS			FOREIGN PATENT DOCUMENTS		
D263,020 S	2/1982	Rau, III	D617,900 S	6/2010	Kingsley et al.
D295,893 S	5/1988	Sharkany et al.	D617,901 S	6/2010	Unger et al.
D295,894 S	5/1988	Sharkany et al.	D617,902 S	6/2010	Twomey et al.
D298,353 S	11/1988	Manno	D617,903 S	6/2010	Unger et al.
D299,413 S	1/1989	DeCarolis	D618,798 S	6/2010	Olson et al.
5,122,139 A	6/1992	Sutter	D621,503 S	8/2010	Otten et al.
5,215,101 A	6/1993	Jacobs et al.	7,811,283 B2	10/2010	Moses et al.
D343,453 S	1/1994	Noda	D627,462 S	11/2010	Kingsley
5,324,289 A	6/1994	Eggers et al.	D628,289 S	11/2010	Romero
D348,930 S	7/1994	Olson	D628,290 S	11/2010	Romero
D349,341 S	8/1994	Lichtman et al.	D630,324 S	1/2011	Reschke
D354,564 S	1/1995	Medema	7,887,536 B2	2/2011	Johnson et al.
D358,887 S	5/1995	Feinberg	7,896,878 B2	3/2011	Johnson et al.
5,443,480 A	8/1995	Jacobs et al.	7,909,823 B2	3/2011	Moses et al.
5,472,443 A	12/1995	Cordis et al.	7,922,718 B2	4/2011	Moses et al.
5,542,945 A	8/1996	Fritzsich	7,972,328 B2 *	7/2011	Wham et al. 606/51
D384,413 S	9/1997	Zlock et al.	2006/0074417 A1	4/2006	Cunningham et al.
5,797,938 A	8/1998	Paraschac et al.	2006/0167452 A1	7/2006	Moses et al.
5,833,690 A	11/1998	Yates et al.	2007/0088356 A1	4/2007	Moses et al.
D402,028 S	12/1998	Grimm et al.	2007/0173813 A1 *	7/2007	Odom 606/51
5,849,022 A	12/1998	Sakashita et al.	2008/0114356 A1	5/2008	Johnson et al.
5,860,976 A	1/1999	Billings et al.	2008/0234672 A1 *	9/2008	Bastian 606/41
5,891,140 A	4/1999	Ginn	2009/0149854 A1	6/2009	Cunningham et al.
5,891,142 A	4/1999	Eggers et al.	2009/0171353 A1	7/2009	Johnson et al.
5,911,719 A	6/1999	Eggers	2009/0306660 A1	12/2009	Johnson et al.
5,925,043 A	7/1999	Kumar et al.	2010/0023009 A1	1/2010	Moses et al.
5,957,923 A	9/1999	Hahnen et al.	2010/0042100 A1 *	2/2010	Tetzlaff et al. 606/51
D416,089 S	11/1999	Barton et al.	2010/0100122 A1 *	4/2010	Hinton 606/207
6,010,516 A	1/2000	Hulka	2010/0312242 A1 *	12/2010	Odom 606/52
D424,694 S	5/2000	Tetzlaff et al.	2011/0034918 A1	2/2011	Reschke
D425,201 S	5/2000	Tetzlaff et al.	2011/0054468 A1 *	3/2011	Dycus 606/45
6,059,782 A	5/2000	Novak et al.	2011/0054472 A1	3/2011	Romero
6,123,701 A	9/2000	Nezhat	2011/0060356 A1 *	3/2011	Reschke et al. 606/205
6,206,877 B1	3/2001	Kese et al.	2011/0071523 A1 *	3/2011	Dickhans 606/45
6,235,027 B1	5/2001	Herzon	2011/0077648 A1	3/2011	Lee et al.
6,270,497 B1	8/2001	Sekino et al.	2011/0190765 A1 *	8/2011	Chojin 606/41
D449,886 S	10/2001	Tetzlaff et al.	2011/0196368 A1 *	8/2011	Moses et al. 606/51
D454,951 S	3/2002	Bon	2011/0218530 A1 *	9/2011	Reschke 606/52
D457,958 S	5/2002	Dycus et al.	2011/0251606 A1 *	10/2011	Kerr 606/41
D457,959 S	5/2002	Tetzlaff et al.	2011/0251611 A1 *	10/2011	Horner et al. 606/49
6,443,952 B1	9/2002	Mulier et al.	2011/0257680 A1 *	10/2011	Reschke et al. 606/206
D465,281 S	11/2002	Lang	2011/0257681 A1 *	10/2011	Reschke et al. 606/206
D466,209 S	11/2002	Bon			
6,533,778 B2	3/2003	Herzon			
6,682,527 B2	1/2004	Strul	DE 2514501	10/1976	
D493,888 S	8/2004	Reschke	DE 2627679	1/1977	
6,776,780 B2	8/2004	Mulier et al.	DE 3423356	6/1986	
D496,997 S	10/2004	Dycus et al.	DE 3612646	4/1987	
6,802,843 B2	10/2004	Truckai et al.	DE 8712328	3/1988	
D499,181 S	11/2004	Dycus et al.	DE 4303882	8/1994	
D502,994 S	3/2005	Blake, III	DE 4403252	8/1995	
D509,297 S	9/2005	Wells	DE 19515914	7/1996	
6,964,662 B2	11/2005	Kidooka	DE 19506363	8/1996	
D525,361 S	7/2006	Hushka	DE 29616210	1/1997	
7,083,613 B2	8/2006	Treat	DE 19608716	4/1997	
D531,311 S	10/2006	Guerra et al.	DE 19751106	5/1998	
7,131,970 B2	11/2006	Moses et al.	DE 19751108	5/1999	
D533,274 S	12/2006	Visconti et al.	DE 10045375	10/2002	
D533,942 S	12/2006	Kerr et al.	DE 10 2004 026179	12/2005	
D535,027 S	1/2007	James et al.	DE 20 2007 009165	10/2007	
D538,932 S	3/2007	Malik	DE 20 2007 009317	10/2007	
D541,418 S	4/2007	Schechter et al.	DE 19738457	1/2009	
D541,611 S	5/2007	Aglassinger	EP 1159926	12/2001	
D541,938 S	5/2007	Kerr et al.	EP 1 532 932 A1	5/2005	
7,211,079 B2	5/2007	Treat	EP 1 609 430 A1	12/2005	
D545,432 S	6/2007	Watanabe	EP 1 645 240 A2	4/2006	
D547,154 S	7/2007	Lee	JP 61-501068	9/1984	
7,252,667 B2	8/2007	Moses et al.	JP 65-502328	3/1992	
7,267,677 B2	9/2007	Johnson et al.	JP 5-5106	1/1993	
7,329,256 B2	2/2008	Johnson et al.	JP 5-40112	2/1993	
D564,662 S	3/2008	Moses et al.	JP 06343644	12/1994	
D567,943 S	4/2008	Moses et al.	JP 07265328	10/1995	
D575,395 S	8/2008	Hushka	JP 08056955	3/1996	
D575,401 S	8/2008	Hixson et al.	JP 08252263	10/1996	
D582,038 S	12/2008	Swoyer et al.	JP 09010223	1/1997	
7,470,272 B2	12/2008	Mulier et al.	JP 10-24051	1/1998	
7,500,975 B2	3/2009	Cunningham et al.	JP 11-070124	5/1998	
7,513,898 B2	4/2009	Johnson et al.	JP 2000-102545	9/1998	
			JP 11-169381	6/1999	

JP	11244298	9/1999
JP	2000-342599	12/2000
JP	2000-350732	12/2000
JP	2001-008944	1/2001
JP	2001-029356	2/2001
JP	2001-128990	5/2001
SU	401367	11/1974
WO	WO 00/36986	6/2000
WO	WO 01/15614	3/2001
WO	WO 01/54604	8/2001
WO	WO 2005/110264	11/2005

OTHER PUBLICATIONS

- U.S. Appl. No. 09/387,883, filed Sep. 11, 1999, Dale F. Schmalztz.
- U.S. Appl. No. 09/591,328, filed Jun. 9, 2000, Thomas P. Ryan.
- U.S. Appl. No. 12/336,970, filed Dec. 17, 2008, Paul R. Sremiech.
- U.S. Appl. No. 12/574,001, filed Oct. 6, 2009, Duane E. Kerr.
- U.S. Appl. No. 12/574,292, filed Oct. 6, 2009, Duane E. Kerr.
- U.S. Appl. No. 12/576,380, filed Oct. 9, 2009, Wayne Siebrecht.
- U.S. Appl. No. 12/607,191, filed Oct. 28, 2009, William H. Nau Jr.
- U.S. Appl. No. 12/619,100, filed Nov. 16, 2009, Jennifer S. Harper.
- U.S. Appl. No. 12/692,414, filed Jan. 22, 2010, Peter M. Mueller.
- U.S. Appl. No. 12/696,592, filed Jan. 29, 2010, Jennifer S. Harper.
- U.S. Appl. No. 12/696,857, filed Jan. 29, 2010, Edward M. Chojin.
- U.S. Appl. No. 12/700,856, filed Feb. 5, 2010, James E. Krapohl.
- U.S. Appl. No. 12/719,407, filed Mar. 8, 2010, Arlen J. Reschke.
- U.S. Appl. No. 12/728,994, filed Mar. 22, 2010, Edward M. Chojin.
- U.S. Appl. No. 12/748,028, filed Mar. 26, 2010, Jessida E.C. Olson.
- U.S. Appl. No. 12/757,340, filed Apr. 9, 2010, Carine Hoarau.
- U.S. Appl. No. 12/758,524, filed Apr. 12, 2010, Duane E. Kerr.
- U.S. Appl. No. 12/759,551, filed Apr. 13, 2010, Glenn A. Horner.
- U.S. Appl. No. 12/769,444, filed Apr. 28, 2010, Glenn A. Horner.
- U.S. Appl. No. 12/770,369, filed Apr. 29, 2010, Glenn A. Horner.
- U.S. Appl. No. 12/770,380, filed Apr. 29, 2010, Glenn A. Horner.
- U.S. Appl. No. 12/770,387, filed Apr. 29, 2010, Glenn A. Horner.
- U.S. Appl. No. 12/773,526, filed May 4, 2010, Duane E. Kerr.
- U.S. Appl. No. 12/773,644, filed May 4, 2010, Thomas J. Gerhardt.
- U.S. Appl. No. 12/786,589, filed May 25, 2010, Duane E. Kerr.
- U.S. Appl. No. 12/791,112, filed Jun. 1, 2010, David M. Garrison.
- U.S. Appl. No. 12/792,001, filed Jun. 2, 2010, Duane E. Kerr.
- U.S. Appl. No. 12/792,008, filed Jun. 2, 2010, Duane E. Kerr.
- U.S. Appl. No. 12/792,019, filed Jun. 2, 2010, Duane E. Kerr.
- U.S. Appl. No. 12/792,038, filed Jun. 2, 2010, Glenn A. Horner.
- U.S. Appl. No. 12/792,051, filed Jun. 2, 2010, David M. Garrison.
- U.S. Appl. No. 12/792,068, filed Jun. 2, 2010, Glenn A. Horner.
- U.S. Appl. No. 12/792,097, filed Jun. 2, 2010, Duane E. Kerr.
- U.S. Appl. No. 12/792,253, filed Jun. 2, 2010, Jeffrey M. Roy.
- U.S. Appl. No. 12/792,299, filed Jun. 2, 2010, Jeffrey M. Roy.
- U.S. Appl. No. 12/792,330, filed Jun. 2, 2010, David M. Garrison.
- U.S. Appl. No. 12/822,024, filed Jun. 23, 2010, Peter M. Mueller.
- U.S. Appl. No. 12/821,253, filed Jun. 23, 2010, Edward M. Chojin.
- U.S. Appl. No. 12/832,772, filed Jul. 8, 2010, Gary M. Couture.
- U.S. Appl. No. 12/843,384, filed Jul. 26, 2010, David M. Garrison.
- U.S. Appl. No. 12/845,203, filed Jul. 28, 2010, Gary M. Couture.
- U.S. Appl. No. 12/853,896, filed Aug. 10, 2010, William H. Nau, Jr.
- U.S. Appl. No. 12/859,896, filed Aug. 20, 2010, Peter M. Mueller.
- U.S. Appl. No. 12/861,198, filed Aug. 23, 2010, James A. Gilbert.
- U.S. Appl. No. 12/861,209, filed Aug. 23, 2010, William H. Nau, Jr.
- U.S. Appl. No. 12/876,668, filed Sep. 7, 2010, Sara E. Anderson.
- U.S. Appl. No. 12/876,680, filed Sep. 7, 2010, Peter M. Mueller.
- U.S. Appl. No. 12/876,705, filed Sep. 7, 2010, Kristin D. Johnson.
- U.S. Appl. No. 12/876,731, filed Sep. 7, 2010, Kristin D. Johnson.
- U.S. Appl. No. 12/877,199, filed Sep. 8, 2010, Arlen J. Reschke.
- U.S. Appl. No. 12/877,482, filed Sep. 8, 2010, Gary M. Couture.
- U.S. Appl. No. 12/895,010, filed Sep. 30, 2010, Jeffrey M. Roy.
- U.S. Appl. No. 12/896,100, filed Oct. 1, 2010, Ryan Artale.
- U.S. Appl. No. 12/897,346, filed Oct. 4, 2010, Ryan Artale.
- U.S. Appl. No. 12/906,672, filed Oct. 18, 2010, Kathy E. Rooks.
- U.S. Appl. No. 12/915,809, filed Oct. 29, 2010, Thomas J. Gerhardt, Jr.
- U.S. Appl. No. 12/947,352, filed Nov. 16, 2010, Jason L. Craig.
- U.S. Appl. No. 12/947,420, filed Nov. 16, 2010, Jason L. Craig.
- U.S. Appl. No. 12/948,081, filed Nov. 17, 2010, Boris Chernov.
- U.S. Appl. No. 12/948,144, filed Nov. 17, 2010, Boris Chernov.
- U.S. Appl. No. 12/950,505, filed Nov. 19, 2010, David M. Garrison.
- U.S. Appl. No. 12/955,010, filed Nov. 29, 2010, Paul R. Romero.
- U.S. Appl. No. 12/955,042, filed Nov. 29, 2010, Steven C. Rupp.
- U.S. Appl. No. 12/981,771, filed Dec. 30, 2010, James D. Allen, IV.
- U.S. Appl. No. 12/981,787, filed Dec. 30, 2010, John R. Twomey.
- Michael Choti, "Abdominoperineal Resection with the LigaSure Vessel Sealing System and LigaSure Atlas 20 cm Open Instrument"; Innovations That Work, Jun. 2003.
- Chung et al., "Clinical Experience of Sutureless Closed Hemorrhoidectomy with LigaSure" Diseases of the Colon & Rectum vol. 46, No. 1 Jan. 2003.
- Tinkler L.F., "Combined Diathermy and Suction Forceps", Feb. 6, 1967 (Feb. 6, 1965), British Medical Journal Feb. 6, 1976, vol. 1, nr. 5431 p. 361, ISSN: 0007-1447.
- Carbonell et al., "Comparison of the Gyros PlasmaKinetic Sealer and the Valleylab LigaSure Device in the Hemostasis of Small, Medium, and Large-Sized Arteries" Carolinas Laparoscopic and Advanced Surgery Program, Carolinas Medical Center, Charlotte, NC; Date: Aug. 2003.
- Peterson et al. "Comparison of Healing Process Following Ligation with Sutures and Bipolar Vessel Sealing" Surgical Technology International (2001).
- "Electrosurgery: A Historical Overview" Innovations in Electrosurgery; Sales/Product Literature; Dec. 31, 2000.
- Johnson et al. "Evaluation of a Bipolar Electrothermal Vessel Sealing Device in Hemorrhoidectomy" Sales/Product Literature; Jan. 2004.
- E. David Crawford "Evaluation of a New Vessel Sealing Device in Urologic Cancer Surgery" Sales/Product Literature 2000.
- Johnson et al. "Evaluation of the LigaSure Vessel Sealing System in Hemorrhoidectomy" American College of Surgeons (ACS) Clinica Congress Poster (2000).
- Muller et al., "Extended Left Hemicolectomy Using the LigaSure Vessel Sealing System" Innovations That Work, Sep. 1999.
- Kennedy et al. "High-burst-strength, feedback-controlled bipolar vessel sealing" Surgical Endoscopy (1998) 12: 876-878.
- Burdette et al. "In Vivo Probe Measurement Technique For Determining Dielectric Properties At VHF Through Microwave Frequencies", IEEE Transactions on Microwave Theory and Techniques, vol. MTT-28, No. 4, Apr. 1980 pp. 414-427.
- Carus et al., "Initial Experience With The LigaSure Vessel Sealing System in Abdominal Surgery" Innovations That Work, Jun. 2002.
- Heniford et al. "Initial Research and Clinical Results with an Electrothermal Bipolar Vessel Sealer" Oct. 1999.
- Heniford et al. "Initial Results with an Electrothermal Bipolar Vessel Sealer" Surgical Endoscopy (2000) 15:799-801.
- Herman et al., "Laparoscopic Intestinal Resection With the LigaSure Vessel Sealing System: A Case Report"; Innovations That Work, Feb. 2002.
- Koyle et al., "Laparoscopic Palomo Varicocele Ligation in Children and Adolescents" Pediatric Endosurgery & Innovative Techniques, vol. 6, No. 1, 2002.
- W. Scott Helton, "LigaSure Vessel Sealing System: Revolutionary Hemostasis Product for General Surgery"; Sales/Product Literature 1999.
- LigaSure Vessel Sealing System, the Seal of Confidence in General, Gynecologic, Urologic, and Laparoscopic Surgery; Sales/Product Literature; Apr. 2002.
- Joseph Ortenberg "LigaSure System Used in Laparoscopic 1st and 2nd Stage Orchiopexy" Innovations That Work, Nov. 2002.
- Sigel et al. "The Mechanism of Blood Vessel Closure by High Frequency Electrocoagulation" Surgery Gynecology & Obstetrics, Oct. 1965 pp. 823-831.
- Sampayan et al., "Multilayer Ultra-High Gradient Insulator Technology" Discharges and Electrical Insulation in Vacuum, 1998. Netherlands Aug. 17-21, 1998; vol. 2, pp. 740-743.
- Paul G. Horgan, "A Novel Technique for Parenchymal Division During Hepatectomy" The American Journal of Surgery, vol. 181, No. 3, Apr. 2001 pp. 236-237.
- Benaron et al., "Optical Time-Of-Flight And Absorbance Imaging Of Biologic Media", Science, American Association for the Advancement of Science, Washington, DC, vol. 259, Mar. 5, 1993, pp. 1463-1466.

- Olsson et al. "Radical Cystectomy in Females" *Current Surgical Techniques in Urology*, vol. 14, Issue 3, 2001.
- Palazzo et al. "Randomized clinical trial of Ligasure versus open haemorrhoidectomy" *British Journal of Surgery* 2002, 89, 154-157.
- Levy et al. "Randomized Trial of Suture Versus Electrosurgical Bipolar Vessel Sealing in Vaginal Hysterectomy" *Obstetrics & Gynecology*, vol. 102, No. 1, Jul. 2003.
- "Reducing Needlestick Injuries in the Operating Room" *Sales/Product Literature* 2001.
- Bergdahl et al. "Studies on Coagulation and the Development of an Automatic Computerized Bipolar Coagulator" *J.Neurosurg*, vol. 75, Jul. 1991, pp. 148-151.
- Strasberg et al. "A Phase I Study of the LigaSure Vessel Sealing System in Hepatic Surgery" *Section of HPB Surger, Washington University School of Medicine, St. Louis MO, Presented at AHPBA*, Feb. 2001.
- Sayfan et al. "Sutureless Closed Hemorrhoidectomy: A New Technique" *Annals of Surgery* vol. 234 No. 1 Jul. 2001; pp. 21-24.
- Levy et al., "Update on Hysterectomy—New Technologies and Techniques" *OBG Management*, Feb. 2003.
- Dulemba et al. "Use of a Bipolar Electrothermal Vessel Sealer in Laparoscopically Assisted Vaginal Hysterectomy" *Sales/Product Literature*; Jan. 2004.
- Strasberg et al., "Use of a Bipolar Vessel-Sealing Device for Parenchymal Transection During Liver Surgery" *Journal of Gastrointestinal Surgery*, vol. 6, No. 4, Jul./Aug. 2002 pp. 569-574.
- Sengupta et al., "Use of a Computer-Controlled Bipolar Diathermy System in Radical Prostatectomies and Other Open Urological Surgery" *ANZ Journal of Surgery* (2001) 71.9 pp. 538-540.
- Rothenberg et al. "Use of the LigaSure Vessel Sealing System in Minimally Invasive Surgery in Children" *Int'l Pediatric Endosurgery Group (IPEG)* 2000.
- Crawford et al. "Use of the LigaSure Vessel Sealing System in Urologic Cancer Surgery" *Grand Rounds in Urology* 1999 vol. 1 Issue 4 pp. 10-17.
- Craig Johnson, "Use of the LigaSure Vessel Sealing System in Bloodless Hemorrhoidectomy" *Innovations That Work*, Mar. 2000.
- Levy et al. "Use of a New Energy-based Vessel Ligation Device During Vaginal Hysterectomy" *Int'l Federation of Gynecology and Obstetrics (FIGO) World Congress* 1999.
- Barbara Levy, "Use of a New Vessel Ligation Device During Vaginal Hysterectomy" *FIGO 2000*, Washington, D.C.
- E. David Crawford "Use of a Novel Vessel Sealing Technology in Management of the Dorsal Veinous Complex" *Sales/Product Literature* 2000.
- Jarrett et al., "Use of the LigaSure Vessel Sealing System for Perihilar Vessels in Laparoscopic Nephrectomy" *Sales/Product Literature* 2000.
- Crouch et al. "A Velocity-Dependent Model for Needle Insertion in Soft Tissue" *Miccai* 2005; *LNCS* 3750 pp. 624-632, Dated: 2005.
- McLellan et al. "Vessel Sealing for Hemostasis During Pelvic Surgery" *Int'l Federation of Gynecology and Obstetrics FIGO World Congress 2000*, Washington, D.C.
- McLellan et al. "Vessel Sealing For Hemostasis During Gynecologic Surgery" *Sales/Product Literature* 1999.
- Int'l Search Report EP 98944778.4 dated Oct. 31, 2000.
- Int'l Search Report EP 98957771 dated Aug. 9, 2001.
- Int'l Search Report EP 98957773 dated Aug. 1, 2001.
- Int'l Search Report EP 98958575.7 dated Sep. 20, 2002.
- Int'l Search Report EP 04013772.1 dated Apr. 1, 2005.
- Int'l Search Report EP 04027314.6 dated Mar. 10, 2005.
- Int'l Search Report EP 04027479.7 dated Mar. 8, 2005.
- Int'l Search Report EP 04027705.5 dated Feb. 3, 2005.
- Int'l Search Report EP 04709033.7 dated Dec. 8, 2010.
- Int'l Search Report EP 04752343.6 dated Jul. 20, 2007.
- Int'l Search Report EP 05002671.5 dated Dec. 22, 2008.
- Int'l Search Report EP 05002674.9 dated Jan. 16, 2009.
- Int'l Search Report EP 05013463.4 dated Oct. 7, 2005.
- Int'l Search Report EP 05013894 dated Feb. 3, 2006.
- Int'l Search Report EP 05013895.7 dated Oct. 21, 2005.
- Int'l Search Report EP 05016399.7 dated Jan. 13, 2006.
- Int'l Search Report EP 05017281.6 dated Nov. 24, 2005.
- Int'l Search Report EP 05019130.3 dated Oct. 27, 2005.
- Int'l Search Report EP 05019429.9 dated May 6, 2008.
- Int'l Search Report EP 05020532 dated Jan. 10, 2006.
- Int'l Search Report EP 05020665.5 dated Feb. 27, 2006.
- Int'l Search Report EP 05020666.3 dated Feb. 27, 2006.
- Int'l Search Report EP 05021197.8 dated Feb. 20, 2006.
- Int'l Search Report EP 05021779.3 dated Feb. 2, 2006.
- Int'l Search Report EP 05021780.1 dated Feb. 23, 2006.
- Int'l Search Report EP 05021937.7 dated Jan. 23, 2006.
- Int'l Search Report—extended—EP 05021937.7 dated Mar. 15, 2006.
- Int'l Search Report EP 05023017.6 dated Feb. 24, 2006.
- Int'l Search Report EP 06002279.5 dated Mar. 30, 2006.
- Int'l Search Report EP 06005185.1 dated May 10, 2006.
- Int'l Search Report EP 06006716.2 dated Aug. 4, 2006.
- Int'l Search Report EP 06008515.6 dated Jan. 8, 2006.
- Int'l Search Report EP 06008779.8 dated Jul. 13, 2006.
- Int'l Search Report EP 06014461.5 dated Oct. 31, 2006.
- Int'l Search Report EP 06020574.7 dated Oct. 2, 2007.
- Int'l Search Report EP 06020583.8 dated Feb. 7, 2007.
- Int'l Search Report EP 06020584.6 dated Feb. 1, 2007.
- Int'l Search Report EP 06020756.0 dated Feb. 16, 2007.
- Int'l Search Report EP 06 024122.1 dated Apr. 16, 2007.
- Int'l Search Report EP 06024123.9 dated Mar. 6, 2007.
- Int'l Search Report EP 07 001480.8 dated Apr. 19, 2007.
- Int'l Search Report EP 07 001488.1 dated Jun. 5, 2007.
- Int'l Search Report EP 07 004429.2 dated Nov. 2, 2010.
- Int'l Search Report EP 07 009026.1 dated Oct. 8, 2007.
- Int'l Search Report Extended—EP 07 009029.5 dated Jul. 20, 2007.
- Int'l Search Report EP 07 009321.6 dated Aug. 28, 2007.
- Int'l Search Report EP 07 010672.9 dated Oct. 16, 2007.
- Int'l Search Report EP 07 013779.9 dated Oct. 26, 2007.
- Int'l Search Report EP 07 014016 dated Jan. 28, 2008.
- Int'l Search Report EP 07 015191.5 dated Jan. 23, 2008.
- Int'l Search Report EP 07 015601.3 dated Jan. 4, 2008.
- Int'l Search Report EP 07 016911 dated May 28, 2010.
- Int'l Search Report EP 07 020283.3 dated Feb. 5, 2008.
- Int'l Search Report EP 07 021646.0 dated Mar. 20, 2008.
- Int'l Search Report EP 07 021646.0 dated Jul. 9, 2008.
- Int'l Search Report EP 07 021647.8 dated May 2, 2008.
- Int'l Search Report EP 08 002692.5 dated Dec. 12, 2008.
- Int'l Search Report EP 08 004655.0 dated Jun. 24, 2008.
- Int'l Search Report EP 08 006732.5 dated Jul. 29, 2008.
- Int'l Search Report EP 08 006917.2 dated Jul. 3, 2008.
- Int'l Search Report EP 08 016539.2 dated Jan. 8, 2009.
- Int'l Search Report EP 08 020807.7 dated Apr. 24, 2009.
- Int'l Search Report EP 09 003677.3 dated May 4, 2009.
- Int'l Search Report EP 09 003813.4 dated Aug. 3, 2009.
- Int'l Search Report EP 09 004491.8 dated Sep. 9, 2009.
- Int'l Search Report EP 09 005051.9 dated Jul. 6, 2009.
- Int'l Search Report EP 09 005575.7 dated Sep. 9, 2009.
- Int'l Search Report EP 09 010521.4 dated Dec. 16, 2009.
- Int'l Search Report EP 09 011745.8 dated Jan. 5, 2010.
- Int'l Search Report EP 09 012629.3 dated Dec. 8, 2009.
- Int'l Search Report EP 09 012687.1 dated Dec. 23, 2009.
- Int'l Search Report EP 09 012688.9 dated Dec. 28, 2009.
- Int'l Search Report EP 09 152267.2 dated Jun. 15, 2009.
- Int'l Search Report EP 09 152898.4 dated Jun. 10, 2009.
- Int'l Search Report EP 09 154850.3 dated Jul. 20, 2009.
- Int'l Search Report EP 09 160476.9 dated Aug. 4, 2009.
- Int'l Search Report EP 09 164903.8 dated Aug. 21, 2009.
- Int'l Search Report EP 09 165753.6 dated Nov. 11, 2009.
- Int'l Search Report EP 09 168153.6 dated Jan. 14, 2010.
- Int'l Search Report EP 09 168810.1 dated Feb. 2, 2010.
- Int'l Search Report EP 09 172749.5 dated Dec. 4, 2009.
- Int'l Search Report EP 10 000259.1 dated Jun. 30, 2010.
- Int'l Search Report EP 10 157500.9 dated Jul. 30, 2010.
- Int'l Search Report EP 10 159205.3 dated Jul. 7, 2010.
- Int'l Search Report EP 10 160870.1 dated Aug. 9, 2010.
- Int'l Search Report EP 10 161596.1 dated Jul. 28, 2010.
- Int'l Search Report EP 10 168705.1 dated Oct. 4, 2010.
- Int'l Search Report EP 10 169647.4 dated Oct. 29, 2010.
- Int'l Search Report EP 10 172005.0 dated Sep. 30, 2010.
- Int'l Search Report EP 10 175956.1 dated Nov. 12, 2010.

US D670,808 S

Page 5

Int'l Search Report PCT/US98/18640 dated Jan. 29, 1999.
Int'l Search Report PCT/US98/23950 dated Jan. 14, 1999.
Int'l Search Report PCT/US98/24281 dated Feb. 22, 1999.
Int'l Search Report PCT/US99/24869 dated Feb. 3, 2000.
Int'l Search Report PCT/US01/11218 dated Aug. 14, 2001.
Int'l Search Report PCT/US01/11224 dated Nov. 13, 2001.
Int'l Search Report PCT/US01/11340 dated Aug. 16, 2001.
Int'l Search Report PCT/US01/11420 dated Oct. 16, 2001.
Int'l Search Report PCT/US02/01890 dated Jul. 25, 2002.
Int'l Search Report PCT/US02/11100 dated Jul. 16, 2002.
Int'l Search Report PCT/US03/08146 dated Aug. 8, 2003.
Int'l Search Report PCT/US03/18674 dated Sep. 18, 2003.

Int'l Search Report PCT/US03/18676 dated Sep. 19, 2003.
Int'l Search Report PCT/US03/28534 dated Dec. 19, 2003.
Int'l Search Report PCT/US04/03436 dated Mar. 3, 2005.
Int'l Search Report PCT/US04/13273 dated Dec. 15, 2004.
Int'l Search Report PCT/US04/15311 dated Jan. 12, 2005.
Int'l Search Report PCT/US07/021438 dated Apr. 1, 2008.
Int'l Search Report PCT/US07/021440 dated Apr. 8, 2008.
Int'l Search Report PCT/US08/52460 dated Apr. 24, 2008.
Int'l Search Report PCT/US08/61498 dated Sep. 22, 2008.
Int'l Search Report PCT/US09/032690 dated Jun. 16, 2009.

* cited by examiner

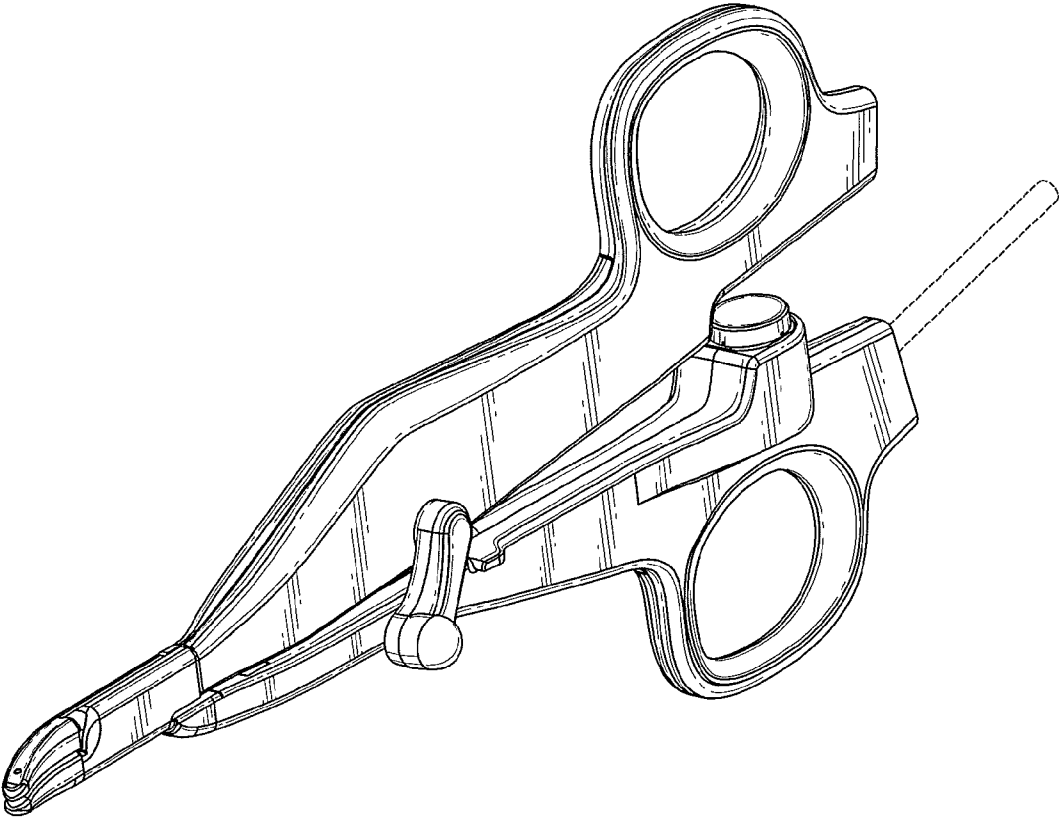


FIG. 1

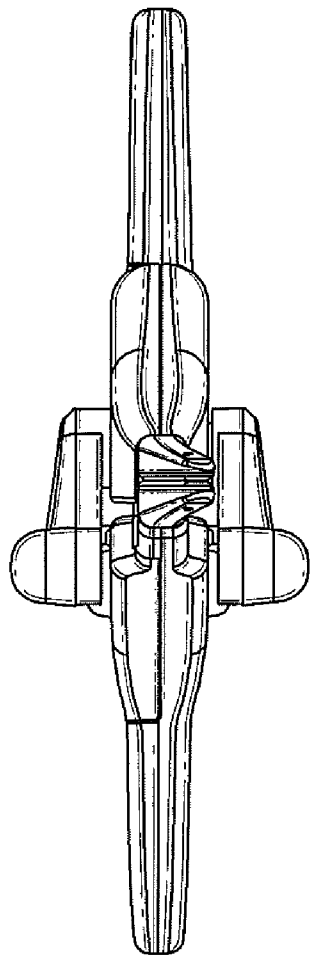


FIG. 2

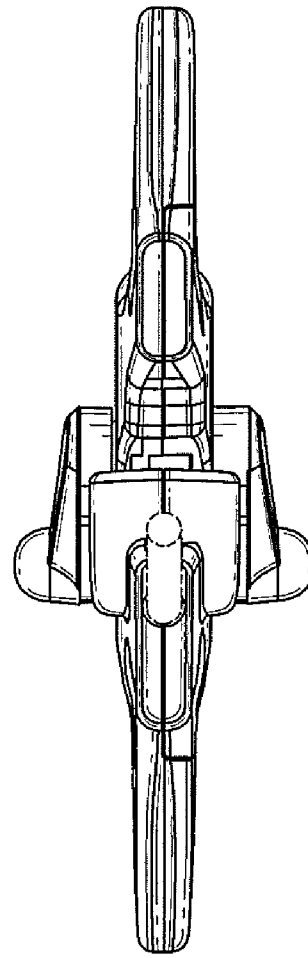


FIG. 3

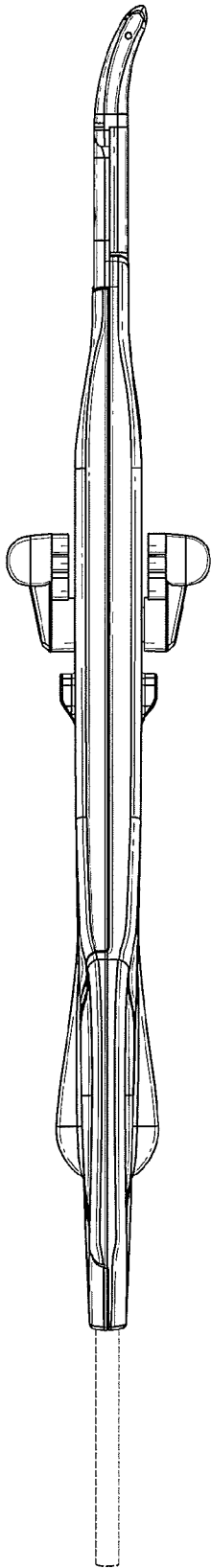


FIG. 4

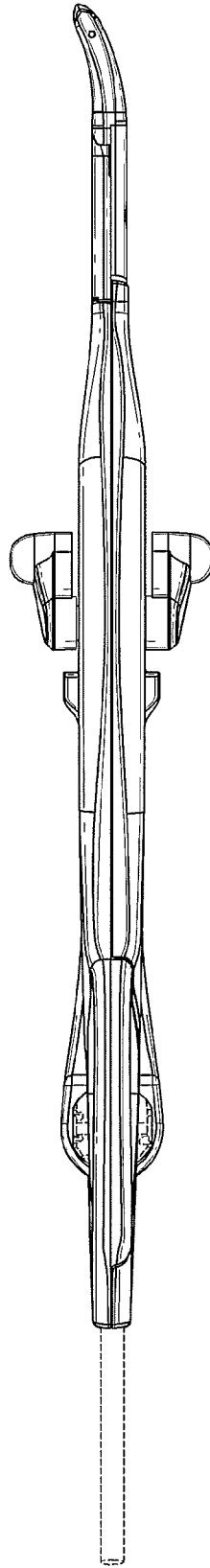


FIG. 5

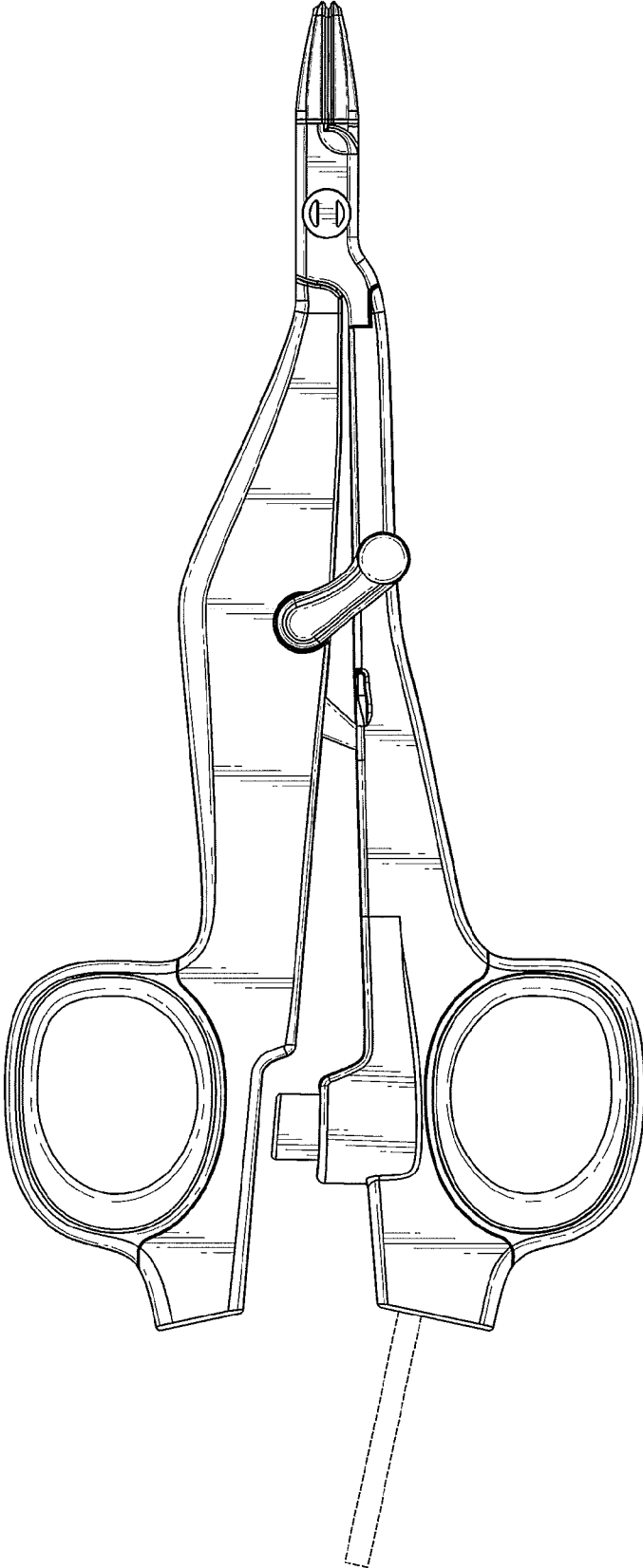


FIG. 6

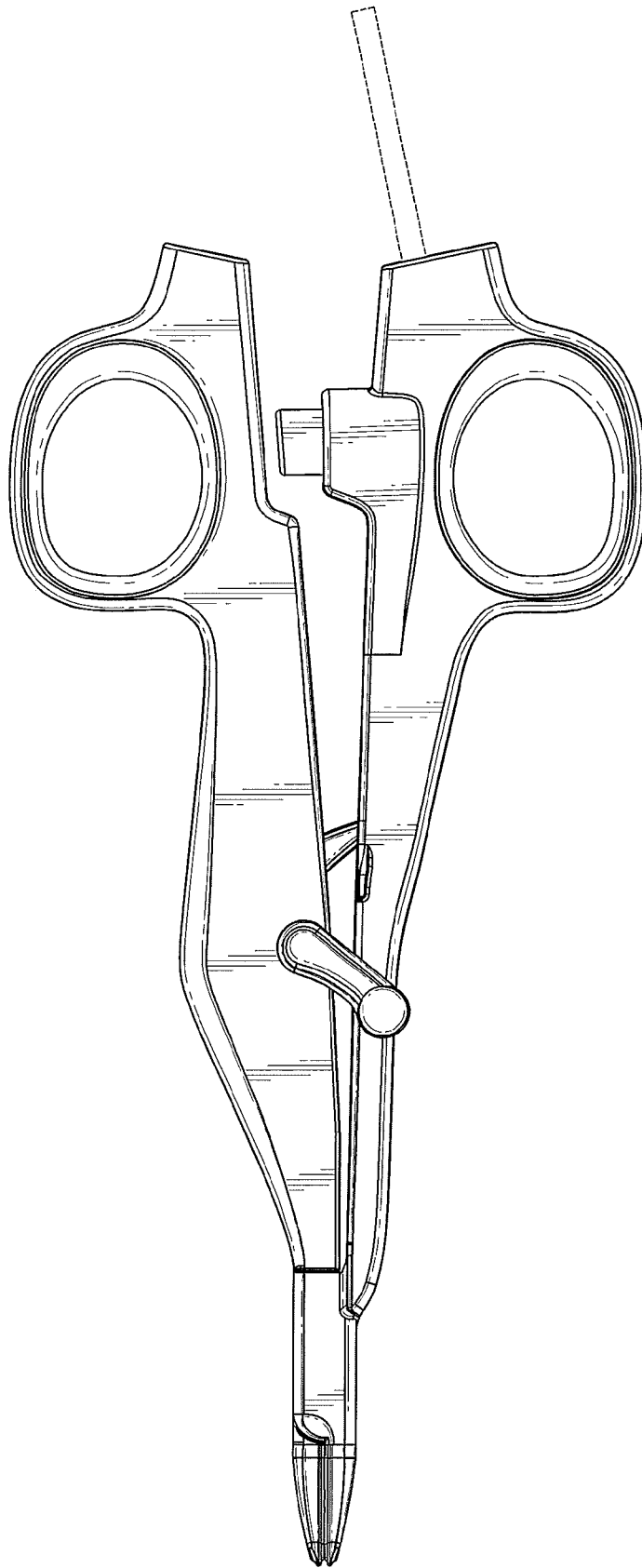


FIG. 7

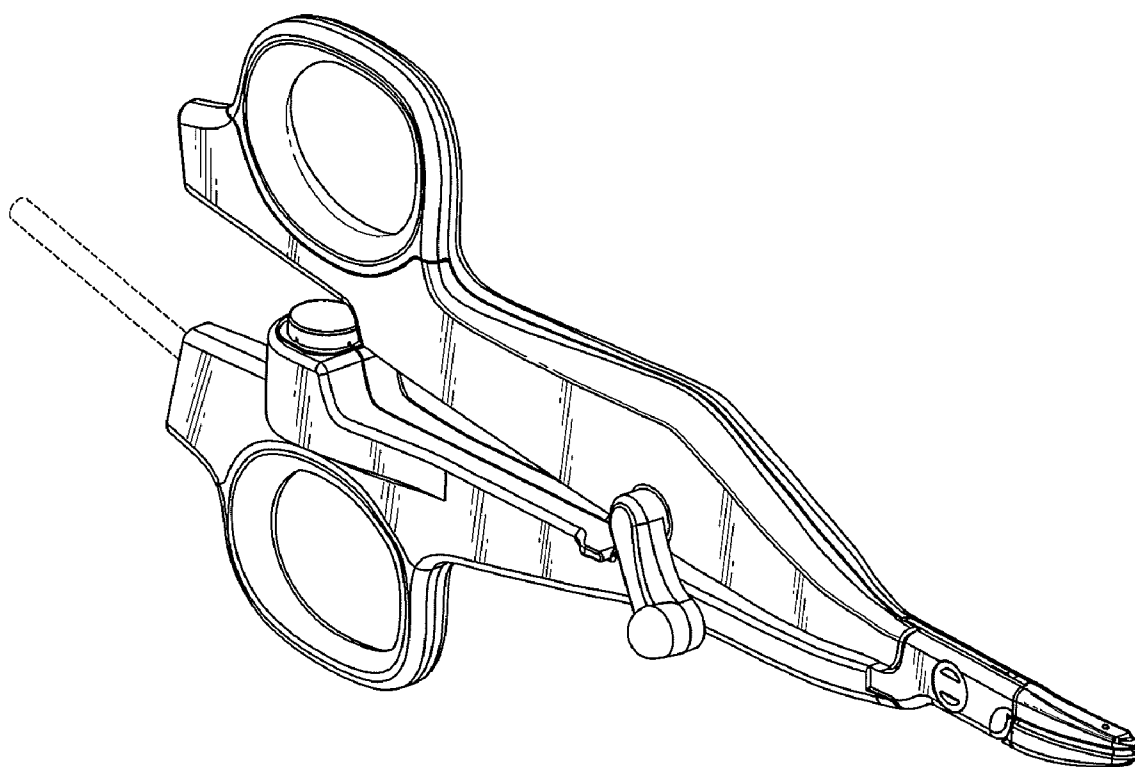


FIG. 8

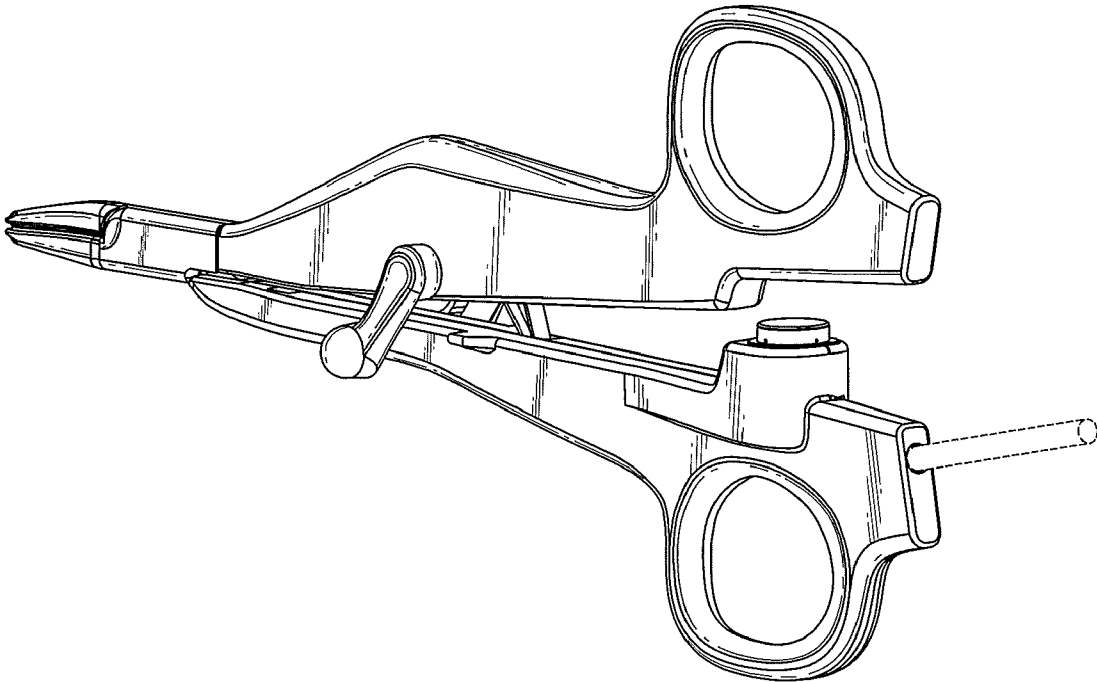


FIG. 9

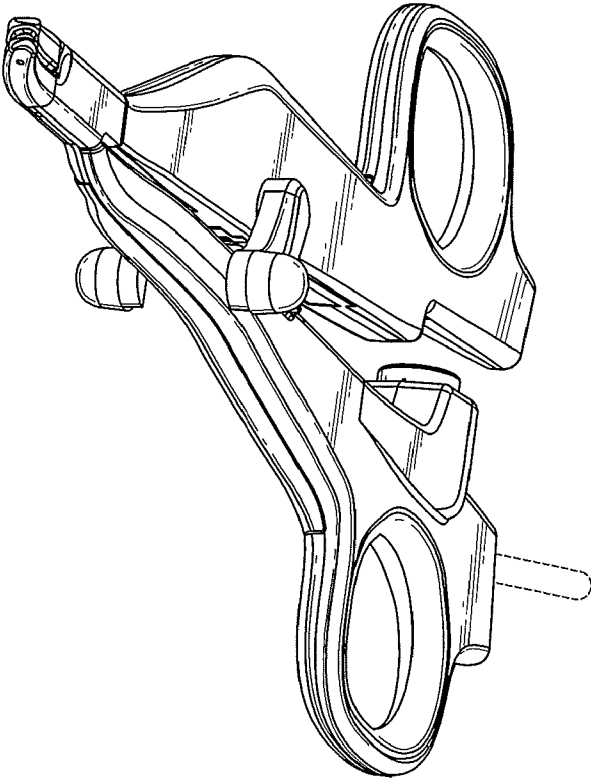


FIG. 10