

(12) STANDARD PATENT
(19) AUSTRALIAN PATENT OFFICE

(11) Application No. **AU 2013229082 B2**

(54) Title
Ink wiping system of an intaglio printing press and intaglio printing press comprising the same

(51) International Patent Classification(s)
B41F 9/10 (2006.01)

(21) Application No: **2013229082** (22) Date of Filing: **2013.03.11**

(87) WIPO No: **WO13/132471**

(30) Priority Data

(31) Number	(32) Date	(33) Country
12158948.5	2012.03.09	EP

(43) Publication Date: **2013.09.12**

(44) Accepted Journal Date: **2015.11.26**

(71) Applicant(s)
KBA-NotaSys SA

(72) Inventor(s)
Scharkus, Volker; Sokol, Ralf Harald; Schwitzky, Volkmar Rolf; Claude, Laurent; Wursch, Alain; Schaede, Johannes Georg

(74) Agent / Attorney
Pizzeys, PO Box 291, WODEN, ACT, 2606



(51) International Patent Classification:
B41F 9/10 (2006.01)

(21) International Application Number:

PCT/IB2013/051920

(22) International Filing Date:

11 March 2013 (11.03.2013)

(25) Filing Language:

English

(26) Publication Language:

English

(30) Priority Data:

12158948.5 9 March 2012 (09.03.2012) EP

(71) Applicant: **KBA-NOTASYS SA** [—/CH]; PO Box 347,
55, Avenue du Grey, CH-1000 Lausanne 22 (CH).

(72) Inventors: **SCHARKUS, Volker**; c/o Koenig & Bauer
AG, Friedrich-Koenig-Str- 4, 97080 Würzburg (DE).
SOKOL, Ralf, Harald; Dorfgraben 23, 97076 Würzburg
(DE). **SCHWITZKY, Volkmar, Rolf**; Flürleinstrasse 28,
97076 Würzburg (DE). **CLAUDE, Laurent**; Chemin de
l'Ochettaz 12, CH-1025 St-Sulpice (CH). **WÜRSCH,**

Alain; Chemin des Buleses 70, CH-1814 La Tour-de-
Peilz (CH). **SCHAEDE, Johannes, Georg**; Max-Heim-
Strasse 8, 97074 Würzburg (DE).

(74) Agent: **NOLL, Ronald**; c/o UniConcept IP Solutions Sàrl,
Au Trésy 22, CH-1125 Monnaz (CH).

(81) Designated States (unless otherwise indicated, for every
kind of national protection available): AE, AG, AL, AM,
AO, AT, AU, AZ, BA, BB, BG, BH, BN, BR, BW, BY,
BZ, CA, CH, CL, CN, CO, CR, CU, CZ, DE, DK, DM,
DO, DZ, EC, EE, EG, ES, FI, GB, GD, GE, GH, GM, GT,
HN, HR, HU, ID, IL, IN, IS, JP, KE, KG, KM, KN, KP,
KR, KZ, LA, LC, LK, LR, LS, LT, LU, LY, MA, MD,
ME, MG, MK, MN, MW, MX, MY, MZ, NA, NG, NI,
NO, NZ, OM, PA, PE, PG, PH, PL, PT, QA, RO, RS, RU,
RW, SC, SD, SE, SG, SK, SL, SM, ST, SV, SY, TH, TJ,
TM, TN, TR, TT, TZ, UA, UG, US, UZ, VC, VN, ZA,
ZM, ZW.

(84) Designated States (unless otherwise indicated, for every
kind of regional protection available): ARIPO (BW, GH,
GM, KE, LR, LS, MW, MZ, NA, RW, SD, SL, SZ, TZ,

[Continued on next page]

(54) Title: INK WIPING SYSTEM OF AN INTAGLIO PRINTING PRESS AND INTAGLIO PRINTING PRESS COMPRISING THE SAME

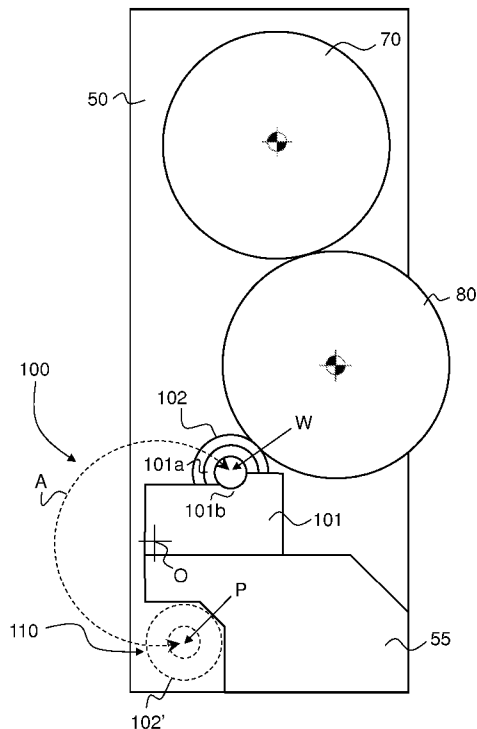


Fig. 3

(57) Abstract: There is described an ink wiping system (100; 100'; 100'') of an intaglio printing press comprising a wiping tank (101) and a rotatable wiping roller assembly (102; 102*) supported on and partly located in the wiping tank (101) for wiping excess ink from the surface of a rotatable intaglio printing cylinder (80) of the intaglio printing press. The ink wiping system (100; 100'; 100'') comprises a wiping roller retracting device (150) which forms an integral part of the ink wiping system (100; 100'; 100'') and is adapted to be coupled to the wiping roller assembly (102; 102*) to move the wiping roller assembly (102; 102*) between a working position (W) where the wiping roller assembly (102; 102*) is supported on and partly located in the wiping tank (101) for cooperation with the intaglio printing cylinder (80) and a parking position (P) where the wiping roller assembly (102; 102*) is retracted out of the wiping tank (101) and away from the intaglio printing cylinder (80). In the working position (W) of the wiping roller assembly (102; 102*), the wiping roller retracting device (150) is coupled to the wiping roller assembly (102; 102*). The ink wiping system (100; 100'; 100'') further includes, at the parking position (P), a storage section (110) adapted to receive the wiping roller assembly (102; 102*) which is retracted by the wiping roller retracting device (150).

UG, ZM, ZW), Eurasian (AM, AZ, BY, KG, KZ, RU, TJ, **Published:**
TM), European (AL, AT, BE, BG, CH, CY, CZ, DE, DK, — *with international search report (Art. 21(3))*
EE, ES, FI, FR, GB, GR, HR, HU, IE, IS, IT, LT, LU,
LV, MC, MK, MT, NL, NO, PL, PT, RO, RS, SE, SI, SK,
SM, TR), OAPI (BF, BJ, CF, CG, CI, CM, GA, GN, GQ,
GW, ML, MR, NE, SN, TD, TG).

INK WIPING SYSTEM OF AN INTAGLIO PRINTING PRESS AND
INTAGLIO PRINTING PRESS COMPRISING THE SAME

TECHNICAL FIELD

The present invention generally relates to the wiping of rotatable intaglio printing cylinders of intaglio printing presses. More precisely, the present invention relates to an ink wiping system of an intaglio printing press and to an intaglio printing press comprising the same.

BACKGROUND OF THE INVENTION

5 Intaglio printing presses are widely used in security printing for printing security documents, especially banknotes. Prior art intaglio printing presses are for instance disclosed in Swiss Patent No. CH 477 293 A5, European Patent Applications Nos. EP 0 091 709 A1, EP 0 406 157 A1, EP 0 415 881 A2, EP 0 563 007 A1, EP 0 873 866 A1, EP 1 602 483 A1, and International
10 Applications Nos. WO 01/54904 A1, WO 03/047862 A1, WO 2004/026580 A1, WO 2005/118294 A1, WO 2011/077348 A1, WO 2011/077350 A1, WO 2011/077351 A1, all assigned to the instant Applicant.

Figures 1 and 2 schematically illustrate a known intaglio printing press with an intaglio printing unit configuration similar to that disclosed in European
15 Patent Application No. EP 0 091 709 A1.

Figure 1 shows a sheet-fed intaglio printing press 1 comprising, as is usual in the art, a sheet feeder 2 for feeding sheets to be printed, an intaglio printing unit 3 for printing the sheets, and a sheet delivery unit 4 for collecting the freshly-printed sheets. The intaglio printing unit 3 typically includes an
20 impression cylinder 7, a plate cylinder 8 carrying intaglio printing plates (in this example, the plate cylinder 8 is a three-segment cylinder carrying three intaglio printing plates 8a, 8b, 8c – Figure 2), an inking system 9 for inking the surface of the intaglio printing plates 8a, 8b, 8c carried by the plate cylinder 8 and an ink wiping system 10 for wiping the inked surface of the intaglio printing plates 8a,
25 8b, 8c carried by the plate cylinder 8 prior to printing of the sheets.

The sheets are fed from the sheet feeder 2 onto a feeder table and then onto the impression cylinder 7. The sheets are then carried by the impression

cylinder 7 to the printing nip between the impression cylinder 7 and the plate cylinder 8 where intaglio printing is performed. Once printed, the sheets are transferred from the impression cylinder 7 to a sheet transporting system 11 in order to be delivered to the delivery unit 4. The sheet transporting system 11
5 conventionally comprises an sheet conveyor system with a pair of endless chains driving a plurality of spaced-apart gripper bars for holding a leading edge of the sheets (the freshly-printed side of the sheets being oriented downwards on their way to the delivery unit 4), sheets being transferred in succession from the impression cylinder 7 to a corresponding one of the gripper bars.

10 During their transport to the sheet delivery unit 4, the freshly printed sheets are preferably inspected by an optical inspection system 5. In the illustrated example, the optical inspection system 5 is advantageously disposed along the path of the sheet transporting system 11, right after the printing unit 3. Such an optical inspection system 5 is already known in the art and does not
15 need to be described in detail. Examples of optical inspection systems adapted for use as optical inspection system 5 in the intaglio printing press of Figure 1 are for instance described in International Applications Nos. WO 97/36813 A1, WO 97/37329 A1, WO 03/070465 A1 and WO 2011/161656 A1. Such inspection systems are in particular marketed by the Applicant under the
20 product designation NotaSave®.

Before delivery, the printed sheets are preferably transported in front of a drying or curing unit 6 disposed after the inspection system 5 along the transport path of the sheet transporting system 11. Drying or curing could possibly be performed prior to the optical inspection of the sheets.

25 Figure 2 is a schematic view of the intaglio printing unit 3 of the intaglio printing press 1 of Figure 1. As already mentioned, the intaglio printing unit 3 basically includes the impression cylinder 7, the plate cylinder 8 with its intaglio printing plates 8a, 8b, 8c, the inking system 9 and the ink wiping system 10.

The inking system 9 comprises in this example four inking devices, three
30 of which cooperate with a common ink-collecting cylinder or Orlof cylinder 9.5 (here a two-segment cylinder) that contacts the plate cylinder 8. The fourth inking device is disposed so as to directly contact the surface of the plate

cylinder 8. It will be understood that the illustrated inking system 9 is accordingly adapted for both indirect and direct inking of the plate cylinder 8. The inking devices cooperating with the ink-collecting cylinder 9.5 each include an ink duct 9.10, 9.20, 9.30 cooperating in this example with a pair of inking rollers 9.11, 9.21 and 9.31, respectively. Each pair of inking rollers 9.11, 9.21, 9.31 in turn inks a corresponding chablon cylinder (also designated as selective inking cylinder) 9.13, 9.23, 9.33, respectively, which is in contact with the ink-collecting cylinder 9.5. As for the fourth inking device, it includes an ink duct 9.40, an additional inking roller 9.44, a pair of inking rollers 9.41 and a chablon cylinder 9.43, this latter cylinder being in contact with the plate cylinder 8. The additional ink roller 9.44 is necessary in this latter case as the fourth inking device 9.4 is used to directly ink the surface of the plate cylinder 8 which rotates in opposite direction as compared to the ink-collecting cylinder 9.5. As is usual in the art, the surface of the chablon cylinders 9.13, 9.23, 9.33 and 9.43 is structured so as to exhibit raised portions corresponding to the areas of the intaglio printing plates 8a, 8b, 8c intended to receive the inks in the corresponding colours supplied by the respective inking devices.

The ink wiping system 10, on the other hand, typically comprises a wiping tank 10.1, a wiping roller assembly 10.2 supported on and partly located in the wiping tank and contacting the plate cylinder 8, cleaning means 10.3 for removing wiped ink residues from the surface of the wiping roller assembly 10.2 using a wiping solution that is sprayed or otherwise applied onto the surface of the wiping roller assembly 10.2, and a drying blade 10.4 contacting the surface of the wiping roller assembly 10.2 for removing wiping solution residues from the surface of the wiping roller assembly 10.2. In the above known solution, as schematically illustrated in Figures 1 and 2, the entire wiping tank 10.1 together with the wiping roller assembly 10.2 is movable towards and away from the plate cylinder 8 (reference numeral 10' designating the ink wiping system 10 in a retracted maintenance position), removal of the wiping roller assembly 10.2 from the wiping tank 10.1 during maintenance operations being performed by means of a crane 12 that can be integrated in the press (as shown in Figures 1 and 2) or, alternatively, that is provided as separate handling equipment.

A particularly suitable solution for an ink wiping system comprising a wiping roller assembly is disclosed in International Application No. WO 2007/116353 A1 which is incorporated herein by reference in its entirety.

The most common solution used for wiping excess ink from the surface of an intaglio printing cylinder is, as discussed hereinabove, to use a wiping roller assembly that rotates in the same direction as the intaglio printing cylinder. Such wiping roller assembly typically consists of a cylinder base made commonly of metal and bearing at least one layer of wiping material, preferably a layer of polymer material such as PVC material. The structure and manufacture of such wiping roller assemblies is for instance disclosed in US Patents Nos. US 3,785,286, US 3,900,595, US 4,054,685 and International Applications Nos. WO 2007/031925 A2, WO 2007/031927 A2, WO 2007/034362 A2 which are incorporated herein by reference.

As mentioned above, such wiping roller assembly is typically supported on and partly located in a wiping tank for rotation against the surface of the intaglio printing cylinder, the surface of the wiping roller assembly being cleaned from wiped ink residues using a wiping solution that is commonly sprayed onto the surface of the wiping roller assembly. It is to be understood that, in operation, the wiping roller assembly is supported in an upper section of the wiping tank so that a lower portion thereof can be sprayed with the wiping solution, used wiping solution being recovered in a lower section of the wiping tank.

With such known solutions, the wiping pressure between the intaglio printing cylinder and the wiping roller assembly is adjusted by playing with the position of the axis of rotation of the wiping roller assembly with respect to the axis of rotation of the intaglio printing cylinder. This is typically achieved by using two adjusting mechanisms acting on the two ends of the wiping roller assembly, such by means of eccentric bearings. Adjustment mechanisms for adjusting the wiping pressure between a wiping roller assembly and an intaglio printing cylinder are for instance disclosed in European Patent Applications Nos. EP 0 475 890 A1, EP 0 526 398 A1, and US Patents Nos. US 2,987,993, US 3,762,319. More recently, a solution has been proposed by the present

Applicant with a view to allow selective adjustment of the wiping pressure at a plurality of locations along the contact portion between the wiping roller assembly and the intaglio printing cylinder. Such a solution is disclosed in greater detail in pending European patent applications Nos. EP 11166852.1 and
5 EP 11166854.7 of May 20th, 2011 both entitled "INK WIPING SYSTEM FOR AN INTAGLIO PRINTING PRESS".

Maintenance operations of the known ink wiping systems are time-consuming as the wiping roller assembly is a relatively heavy component to manipulate, which typically necessitates the use of a crane to remove the
10 wiping roller assembly from the wiping tank as already mentioned. In addition, the use of a crane necessary implies that the wiping roller assembly is extracted from or lowered onto the wiping tank along a substantially vertical trajectory, which in turn necessitates movement of the entire wiping tank, including the
15 wiping roller assembly, to a retracted maintenance position (as for instance indicated by reference numeral 10' in Figures 1 and 2) away from the intaglio printing cylinder in order to create a sufficient distance between the intaglio printing cylinder and the wiping roller assembly. This substantially complicates the overall construction of the ink wiping system and the coupling thereof to the
20 corresponding wiping solution supply and treatment system. This further requires a robust and stable interlocking mechanism to properly secure the wiping tank onto the machine frame during printing operations, which requirement is exacerbated by the fact that the wiping roller assembly which is supported on the wiping tank is subjected to considerable mechanical constraints during printing operations.

25 An improved solution is thus required.

SUMMARY OF THE INVENTION

A general aim of the invention is therefore to provide an improved ink wiping system for use in an intaglio printing press as compared to the solutions already known in the art.

A further aim of the invention is to provide such an ink wiping system that
30 facilitates maintenance operations, in particular cleaning of the ink wiping system.

Yet another aim of the invention is to provide such an ink wiping system that allows an easy and quick exchange of a used wiping roller assembly by a new wiping roller assembly.

5 These aims are achieved thanks to the ink wiping system defined in the claims.

According to a first aspect of the invention, there is accordingly provided an ink wiping system of an intaglio printing press comprising a wiping tank and a rotatable wiping roller assembly supported on and partly located in the wiping tank for wiping excess ink from the surface of a rotatable intaglio printing cylinder of the intaglio printing press, the ink wiping system comprising a wiping roller retracting device which forms an integral part of the ink wiping system and is adapted to be coupled to the wiping roller assembly to move the wiping roller assembly between a working position where the wiping roller assembly is supported on and partly located in the wiping tank for cooperation with the intaglio printing cylinder and a parking position where the wiping roller assembly is retracted out of the wiping tank and away from the intaglio printing cylinder, wherein, in the working position of the wiping roller assembly, the wiping roller retracting device is coupled to the wiping roller assembly. According to this first aspect of the invention, the ink wiping system includes, at the parking position, a storage section adapted to receive the wiping roller assembly which is retracted by the wiping roller retracting device.

Such an ink wiping system greatly facilitates maintenance operations in that the wiping roller assembly can simply be retracted to the parking position by means of the wiping roller retracting device, thereby freeing and allowing full access to the wiping tank for cleaning purposes. Once the cleaning operations have been completed, the wiping roller assembly can be moved back to its working position.

The storage section can advantageously be located immediately below the wiping tank, which ensures a very compact configuration and allows unobstructed access to the wiping tank.

In an advantageous variant, the wiping roller retracting device can be adapted to release the wiping roller assembly in the parking position. In such a

context, the storage section is preferably provided with a wiping roller holding device adapted to hold the wiping roller assembly in the parking position upon release by the wiping roller retracting device, which wiping roller holding device may advantageously comprise first and second arms adapted to be brought into cooperation with a respective one of first and second extremities of the wiping roller assembly.

According to a preferred variant of this first aspect of the invention, the ink wiping system further comprises an interlocking mating guide designed to guide and position a trolley with respect to the ink wiping system and along a path of the wiping roller retracting device, the trolley being designed to allow exchange of a used wiping roller assembly by a new wiping roller assembly. Advantageously, the wiping roller retracting device is adapted to release the used wiping roller assembly in the parking position, prior to coupling of a trolley to the interlocking mating guide and the storage section is provided with means for transferring the used wiping roller assembly from the storage section onto the trolley coupled to the interlocking mating guide.

According to a second aspect of the invention (which second aspect can be implemented in combination with the above first aspect as mentioned above) there is provided an ink wiping system of an intaglio printing press comprising a wiping tank and a rotatable wiping roller assembly supported on and partly located in the wiping tank for wiping excess ink from the surface of a rotatable intaglio printing cylinder of the intaglio printing press, the ink wiping system comprising a wiping roller retracting device which forms an integral part of the ink wiping system and is adapted to be coupled to the wiping roller assembly to move the wiping roller assembly between a working position where the wiping roller assembly is supported on and partly located in the wiping tank for cooperation with the intaglio printing cylinder and at least one retracted position where the wiping roller assembly is retracted out of the wiping tank and away from the intaglio printing cylinder, wherein, in the working position of the wiping roller assembly, the wiping roller retracting device is coupled to the wiping roller assembly. According to this second aspect of the invention, the ink wiping system further comprises an interlocking mating guide designed to guide and

position a trolley with respect to the ink wiping system and along a path of the wiping roller retracting device, which trolley is designed to allow exchange of a used wiping roller assembly by a new wiping roller assembly.

Such an ink wiping system likewise greatly facilitates maintenance operations in that a used wiping roller assembly can simply be transferred onto a trolley coupled to the interlocking mating guide, while a new wiping roller assembly can be transferred from a trolley coupled to the interlocking mating guide to the working position. It will become apparent from the following description that one and a same trolley can be used to transport the new wiping roller assembly to the ink wiping system and evacuate the used wiping roller assembly, in which case the aforementioned storage section can be exploited as temporary storage area (see illustrations of Figures 5A to 5J). In another embodiment, a trolley can be used to evacuate the used wiping roller assembly, and the same trolley (once freed from the used wiping roller assembly) or another empty trolley can be used to transport a new wiping roller assembly to the ink wiping system (see illustrations of Figures 4A to 4L).

In an advantageous variant, the wiping roller retracting device can be adapted to move and release the used wiping roller assembly directly onto a trolley coupled to the interlocking mating guide.

In yet another advantageous variant, the wiping roller retracting device can be adapted to take up the new wiping roller assembly sitting on a trolley coupled to the interlocking mating guide and move the new wiping roller assembly directly from the trolley to the working position.

In an advantageous embodiment of the invention, the wiping roller retracting device is adapted to pivot the wiping roller assembly away from and to the working position. In this context, the wiping roller retracting device may advantageously comprise first and second rotatable supporting arms adapted to be coupled at one end to a respective one of first and second extremities of the wiping roller assembly. The wiping roller retracting device is preferably pivotally supported onto the wiping tank.

In yet another advantageous embodiment, the wiping tank can be fixedly secured to a machine frame of the intaglio printing press and be unable to move

with respect to the machine frame, which solution allows for a highly robust ink wiping system configuration.

There is further provided an intaglio printing press comprising an ink wiping system as provided above.

5 Further advantageous embodiments of the ink wiping system form the subject-matter of the dependent claims and are discussed below.

BRIEF DESCRIPTION OF THE DRAWINGS

Other features and advantages of the present invention will appear more clearly from reading the following detailed description of embodiments of the invention which are presented solely by way of non-restrictive examples and
10 illustrated by the attached drawings in which:

Figure 1 is a side-view of a known intaglio printing press ;

Figure 2 is an enlarged side view of the intaglio printing unit of the intaglio printing press of Figure 1 ;

Figure 3 is a schematic side view of an ink wiping system according to a
15 first aspect of the invention ;

Figures 4A to 4L are schematic partial perspective views of an ink wiping system according to a further embodiment of the invention, which views illustrate successive states of the ink wiping system in the course of maintenance operations where a used wiping roller assembly is replaced by a
20 new wiping roller assembly ; and

Figure 5A to 5J are schematic partial perspective views of an ink wiping system according to yet another embodiment of the invention, which views again illustrate successive states of the ink wiping system in the course of maintenance operations where a used wiping roller assembly is replaced by a
25 new wiping roller assembly.

DETAILED DESCRIPTION OF EMBODIMENTS OF THE INVENTION

Within the scope of the present invention, the expression "intaglio printing cylinder" designates either a cylinder whose surface is provided with intaglio patterns engraved directly onto the circumference of the cylinder or a plate cylinder carrying on its circumference at least one intaglio printing plate with

engraved intaglio patterns (the second solution being now more common in the art). In the following description, it will be assumed for the sake of illustration that the intaglio printing cylinder is a plate cylinder carrying several intaglio printing plates on its circumference.

5 Figure 3 is a schematic partial side view of an ink wiping system according to a first aspect of the invention. In Figure 3, reference numeral 50 designates one of a pair of side frames supporting the impression cylinder 70 and intaglio printing cylinder 80, while reference numeral 55 designates a wiping tank support supporting the wiping tank 101 of the ink wiping system
10 100. The side frames 50 and the wiping tank support 55 are secured to one another and jointly form parts of the machine frame of the intaglio printing press. The wiping tank 101 is preferably fixedly secured to the machine frame 50, 55 (the wiping tank 101 being unable to move with respect to the machine frame), in contrast to the known solutions discussed in the preamble hereof.

15 Also shown in Figure 3 is the wiping roller assembly 102 that is supported on and partly located in the wiping tank 101, the wiping roller assembly 102 being supported at both ends thereof by way of corresponding wiping roller bearings 101a, 101b provided on the wiping tank 101. As is usual in the art, such wiping roller bearings 101a, 101b are typically designed as
20 eccentric bearings adapted to selectively allow the wiping roller assembly 102 to be brought in contact with the intaglio printing cylinder 80 (or interrupt such contact if required) and allow adjustment of the wiping pressure. Such bearings 101a, 101b are commonly made in two parts, the upper part 101a being adapted to be disengaged from the lower part 101b (whether manually or semi-
25 automatically) for the purpose of removing the wiping roller assembly from the wiping tank 101.

According to the invention, the ink wiping system 100 comprises a wiping roller retracting device (not specifically illustrated in Figure 3 but designated by reference numeral 150 in Figure 4A-4L and 5A-5J) which forms an integral part
30 of the ink wiping system 100 and is adapted to be coupled to the wiping roller assembly 102 to move the wiping roller assembly 102 between a working position W where the wiping roller assembly 102 is supported on and partly

located in the wiping tank 101 for cooperation with the intaglio printing cylinder 80, as illustrated, and a parking position P where the wiping roller assembly 102 is retracted out of the wiping tank 101 and away from the intaglio printing cylinder 80. The ink wiping system 100 includes, at the parking position P, a storage section 110 adapted to receive the wiping roller assembly 102 that is retracted by the wiping roller retracting device. In Figure 3, the wiping roller assembly retracted to the parking position P is depicted in dashed lines and designated by reference numeral 102'.

According to the invention, it shall be appreciated that, in the working position of the wiping roller assembly, the wiping roller retracting device (which is an integral part of the ink wiping system) is coupled to the wiping roller assembly. This contrasts with the known solution discussed in the preamble hereof, where a separate crane is only coupled to the wiping roller assembly during maintenance operations, which maintenance operations require retraction of the entire wiping tank to a maintenance position (as pictured in Figures 1 and 2) before the crane can get hold of the wiping roller assembly.

Preferably, as schematically illustrated in Figure 3, movement between the working position W and the parking position P is carried out by pivoting the wiping roller assembly 102 as depicted by the trajectory designated by reference A. In the illustrated example, the storage section 110 is advantageously located immediately below the wiping tank 101, the pivoting movement A between the working position W and the parking position P covering an angle of slightly more than 180° . In this context, the wiping roller retracting device can be pivotally supported onto the wiping tank 101 as schematically illustrated by the axis of rotation O in Figure 3.

Movement of the wiping roller assembly 102 between the working position W and the parking position P is preferably done via a suitable drive, such as an electric motor, servo-motor or the like, or an adequate pneumatic or hydraulic system.

The wiping tank 101 is typically provided with adequate means designed to remove and clean the surface of the wiping roller assembly 102 from wiped ink residues. This can advantageously be carried out by means of a system as

disclosed in International Application No. WO 2007/116353 A1 which is incorporated herein by reference in its entirety.

Figures 4A to 4L are schematic partial perspective views of an ink wiping system 100' according to a further embodiment of the invention, which perspective views illustrate successive states of the ink wiping system 100' in the course of maintenance operations where a used wiping roller assembly 102 is replaced by a new wiping roller assembly 102*.

Reference numerals 50 and 55 in Figures 4A-4L again respectively designate a pair of side frames and a wiping tank support jointly forming part of a machine frame of the intaglio printing press. It is again to be understood that the pair of side frames 50 in particular supports the impression cylinder and intaglio printing cylinder (not shown) of the intaglio printing press, while the wiping tank support 55 is fixedly secured to the side frames 50 and supports the wiping tank 101 of the ink wiping system 100'. Reference numeral 51 in Figures 4A-4L further designates an upright which supports or is part of the feeder (not shown in Figures 4A-4L) feeding the sheets to the printing group of the intaglio printing press.

Figure 4A illustrates a wiping roller assembly 102 located in the working position W, i.e. with the wiping roller assembly 102 being supported on and partly located in the wiping tank 101 (as also schematically shown in Figure 3).

The embodiment of Figures 4A-4L further shows the wiping roller retracting device 150 which consists in this example of a pair of rotatable supporting arms 151, 152 adapted to be coupled at one end to a respective one of first and second extremities of the wiping roller assembly 102. The wiping roller retracting device 150 is adapted to operate according to the principle of Figure 3, i.e. the wiping roller retracting device 150 is adapted to pivot the wiping roller assembly 102 away from and to the working position W. This wiping roller retracting device 150 is advantageously supported pivotally onto the wiping tank 101, driving of the wiping roller retracting device 150 being preferably ensured by a suitable drive 160, such as an electric motor.

If required, the wiping roller retracting device 150 can be operated to at least temporarily move the wiping roller assembly 102 to a storage section 110 that is advantageously provided immediately below the wiping tank 101.

In the illustrated example, it is to be understood that the two rotatable supporting arms 151, 152 are adapted to move, perpendicularly to the axis of rotation of the wiping roller assembly 102, with corresponding spaces provided between the side frames 50 and the lateral side walls of the wiping tank 101. As shown in Figures 4A-4L, channels or grooves 50a, 50b are further formed in the vicinity of the working position W and of the storage section 110 along the path of the rotatably supporting arms 151, 152 and of the extremities of the wiping roller assembly 102.

One will now describe operation of the wiping roller retracting device 150 in case of replacement of a used wiping roller assembly by a new wiping roller assembly. For the sake of explanation, the used wiping roller assembly will be designated in Figures 4A-4L by reference numeral 102, while the new wiping roller assembly will be designated by reference numeral 102*.

In the context of Figures 4A-4L, it will further be understood that at least one trolley, designated by reference numeral 180, is used for the purpose of exchanging the wiping roller assembly. As illustrated, this trolley 180 is designed to be guided and positioned with respect to the ink wiping system 100' by means of an interlocking mating guide 115 (see Figure 4G) supported at a lower portion of the ink wiping system 100' between the side frames 50. The trolley 180 further comprises a support portion 180a designed to receive the used wiping roller assembly 102 that is removed by the wiping roller retracting device 150 and to support the new wiping roller assembly 102*.

Figures 4A and 4B illustrate the steps whereby the trolley 180 is brought in front of the ink wiping system 100' and guided onto the interlocking mating guide 115 so as to be positioned with respect to the ink wiping system 100' along the path of the wiping roller retracting device 150. In this example, the ink wiping system 100' and trolley 180 are arranged so as to allow the wiping roller retracting device 150 to move and release the used wiping roller assembly 102 directly onto the trolley 180 that is coupled to the interlocking mating guide 115.

Before actuating the wiping roller retracting device 150, the wiping roller assembly 102 is uncoupled from the various functional components that are typically associated to operation of the wiping roller assembly 102 during printing operations. Such functional components, which are not specifically illustrated, including in particular a wiping roller drive for driving the wiping roller assembly 102 into rotation and a thermoregulation unit for regulating the temperature of the wiping roller assembly 102. In the context of the present invention, it suffices to understand that suitable coupling systems are provided to ensure that the wiping roller drive and thermoregulation unit can be uncoupled from and coupled to the wiping roller assembly 102 (whether manually or semi-automatically).

Figures 4C and 4D illustrate the ink wiping system 100' in states where the used wiping roller assembly 102 is being moved by the wiping roller retracting device 150 away from the working position W and onto the support portion 180a of the trolley 180. Both supporting arms 151, 152 of the wiping roller retracting device 150 cooperate with and are coupled at one end to a respective one of first and second extremities of the wiping roller assembly 102. As schematically illustrated, each supporting arm 151, 152 comprises a movable retaining section 151a, respectively 152a, which, when located in a closed position as illustrated in Figures 4C and 4D, ensures that the corresponding extremity of the wiping roller assembly 102 is properly secured onto the corresponding supporting arm 151, 152.

Once the used wiping roller assembly 102 has been moved to the position where it rests onto the support portion 180a of the trolley 180 (which position is designated by reference T in Figure 4D), the movable retaining sections 151a, 152a of the supporting arms 151, 152 can be moved to an open position thereby freeing the extremities of the wiping roller assembly 102 and releasing the wiping roller assembly 102 onto the trolley 180.

Once the wiping roller assembly 102 has been released onto the trolley 180, the supporting arms 151, 152 are moved to an intermediate position I as illustrated in Figure 4E. The used wiping roller assembly 102 can then be evacuated by means of the trolley as illustrated by Figures 4F and 4G.

A new wiping roller assembly 102* can then be brought to the ink wiping system 100' which has been freed from the used wiping roller assembly 102, as illustrated by Figures 4H to 4L. Installation of the new wiping roller assembly 102* is carried out by performing the same operations as discussed above in relation to Figures 4A to 4F, in reversed order, namely by first coupling the trolley 180 with the new wiping roller assembly 102* to the interlocking mating guide 115 (Figures 4H and 4I), by moving the supporting arms 151, 152 to position T and coupling these arms 151, 152 to both extremities of the new wiping roller assembly 102* (Figure 4J), by moving the supporting arms 151, 152 with the new wiping roller assembly 102* back to the working position W (Figures 4K and 4L), and then evacuating the empty trolley 180.

Figures 5A to 5J are schematic partial perspective views of an ink wiping system 100'' according to another embodiment of the invention, which perspective views again illustrate successive states of the ink wiping system 100'' in the course of maintenance operations where a used wiping roller assembly 102 is replaced by a new wiping roller assembly 102*.

The ink wiping system 100'' of Figures 5A-5J shares a number of components which are identical to those of the ink wiping system 100' of Figures 4A-4L. Components identified in Figures 5A to 5J by the same reference numerals as in Figures 4A to 4L will not be described again, it being for instance to be appreciated that the wiping roller retracting device 150 illustrated in Figures 5A to 5J is structurally the same as the one illustrated in Figures 4A to 4L.

The difference between the ink wiping system 100'' of Figures 5A-5J and the ink wiping system 100' of Figures 4A-4L, resides in the fact that, in the embodiment of Figures 5A-5J, the wiping roller assembly can be released in the parking position P (i.e. in the storage section 110 provided immediately below the wiping tank 101 in the illustrated example), the storage section 110 being advantageously provided with a wiping roller holding device, generally designated by reference numeral 170, which is adapted to hold the wiping roller assembly in the parking position P upon release by the wiping roller retracting device 150.

In addition, a different trolley is used in this other embodiment, namely a trolley, designated by reference numeral 200, which comprises upper and lower support portions 200a and 200b for supporting the wiping roller assembly (see Figures 5D to 5J).

5 Figure 5A shows a used wiping roller assembly 102 in the working position W (one of the side frames 50 having been omitted in Figures 5A-5J for the sake of illustration).

In this other example, the used wiping roller assembly 102 is first moved to the parking position P by means of the wiping roller retracting device 150
10 (see Figure 5B) in order to be released in the storage section 110. Before being released by the wiping roller retracting device 150, the wiping roller holding device 170 is actuated to support the used wiping roller assembly 102. In this example, the wiping roller holding device 170 comprises a pair of supporting arms 171, 172 that are adapted to be brought into cooperation with a respective
15 one of the extremities of the wiping roller assembly 102. Once the wiping roller assembly 102 is properly held by the wiping roller holding device 170, the arms 151, 152 of the wiping roller retracting device 150 can be uncoupled from the wiping roller assembly 102 and moved to an intermediate position I (see Figure 5C).

20 Once this has been done, a new wiping roller assembly 102* can be brought to the ink wiping system 100'' by means of the trolley 200, which trolley 200 is guided and positioned with respect to the ink wiping system 100'' by means of the interlocking mating guide 115, in a manner similar to the embodiment of Figures 4A-4L (see Figures 5D and 5E). In this example, the
25 new wiping roller assembly 102* sits on the upper support portion 200a of the trolley 200.

Once the trolley 200 with the new wiping roller assembly 102* has been coupled to the ink wiping system 100'', the wiping roller retracting device 150 can be actuated to bring the arms 151, 152 from the intermediate position I
30 (Figure 5E) to position T (Figure 5F) where the arms 151, 152 can be coupled to both extremities of the new wiping roller assembly 102* which is sitting on the trolley 200.

The wiping roller retracting device 150 can then be actuated to move the new wiping roller assembly 102* directly from the upper portion 200a of the trolley 200 to the working position W (see Figure 5G).

The trolley 200, freed of the new wiping roller assembly 102*, is now
5 ready to receive the used wiping roller assembly 102 that is being temporarily stored in the storage section 110. In the illustrated example, this is achieved by means of the wiping roller holding device 170, the two arms 171, 172 thereof being advantageously designed as telescopic arms. As illustrated in Figures 5H and 5I, the telescopic arms 171, 172 are conveniently designed to allow the
10 used wiping roller assembly 102 to be brought directly from the storage section 110 to the lower support portion 200b of the trolley 200, where the used wiping roller assembly 102 can be released. The wiping roller holding device 170 can then be brought back to its initial position, thereby allowing the trolley 200 to be evacuated with the used wiping roller assembly 102.

15 It will accordingly be understood that the embodiment of Figures 5A-5J only requires coupling of a single trolley 200 to the ink wiping system 100" for the purpose of exchanging the wiping roller assembly by another wiping roller assembly.

Various modifications and/or improvements may be made to the above-
20 described embodiments without departing from the scope of the invention as defined by the annexed claims. For instance, while the disclosed embodiments make use of a pair of rotatable arms designed to pivot the wiping roller assembly about an axis of rotation, other arrangements could potentially be provided to move the wiping roller assembly between the working position and
25 the parking position. A pivoting movement is however of substantial advantage in the context of the present invention, especially in view of the resulting compactness of the system.

In addition, as an alternative to the procedure illustrated in Figures 5A to 5J, one may contemplate to first position and interlock a trolley 200 carrying the
30 new wiping roller assembly 102* on its lower support portion 200b and cause transfer of the new wiping roller assembly 102* to the empty storage section 110 by means of the arms 171, 172. Once this has been done, the wiping roller

retracting device 150 can be actuated to cause movement of the used wiping roller assembly 102 from the working position *W* directly to the trolley 200 and release of the used wiping roller assembly 102 onto the upper support portion 200a of the trolley 200. Once the trolley 200 with the used wiping roller assembly 102 has been evacuated, the wiping roller retracting device 150 can again be actuated to catch the new wiping roller assembly 102* that is held in the storage section 110 and move it to the working position *W*.

LIST OF REFERENCE NUMERALS USED THEREIN

- | | | |
|----|------|--|
| 10 | 1 | (sheet-fed) intaglio printing press |
| | 2 | sheet feeder |
| | 3 | intaglio printing unit |
| | 4 | sheet delivery (with three delivery pile units) |
| | 5 | optical inspection system (e.g. NotaSave®) |
| 15 | 6 | drying or curing unit |
| | 7 | impression cylinder (three-segment cylinder) |
| | 8 | plate cylinder (three-segment cylinder carrying three intaglio printing plates 8a-c) |
| | 8a-c | intaglio printing plates |
| 20 | 9 | inking system (direct + indirect inking) |
| | 9.5 | ink collecting cylinder / Orlof cylinder (two-segment cylinder) |
| | 9.10 | ink duct (first inking unit) |
| | 9.11 | pair of ink application rollers (first inking unit) |
| | 9.13 | chablon cylinder / selective inking cylinder (first inking unit) |
| 25 | 9.20 | ink duct (second inking unit) |
| | 9.21 | pair of ink application rollers (second inking unit) |
| | 9.23 | chablon cylinder / selective inking cylinder (second inking unit) |
| | 9.30 | ink duct (third inking unit) |
| | 9.31 | pair of ink application rollers (third inking unit) |
| 30 | 9.33 | chablon cylinder / selective inking cylinder (third inking unit) |
| | 9.40 | ink duct (fourth inking unit) |
| | 9.41 | pair of ink application rollers (fourth inking unit) |

- 9.43 chablon cylinder / selective inking cylinder (fourth inking unit)
- 9.44 additional ink roller (fourth inking unit)
- 10 ink wiping system
- 10' ink wiping system in retracted (maintenance) position
- 5 10.1 wiping tank
- 10.2 wiping roller assembly
- 10.3 cleaning means for removing wiped ink residues from the surface of the wiping roller assembly 10.2
- 10.4 drying blade for removing wiping solution residues from the surface of the wiping roller assembly 10.2
- 10 11 sheet transporting system (sheet conveyor system with a pair of endless chains driving a plurality of spaced-apart gripper bars for holding a leading edge of the sheets)
- 12 crane (for removing wiping roller assembly 10.2)
- 15 50 side frames (part of machine frame)
- 51 upright
- 50a channel or groove in side frames 50 (in the vicinity of the working position W)
- 50b channel or groove in side frames 50 (in the vicinity of the storage section 110)
- 20 55 wiping tank support (part of machine frame) supporting wiping tank 101
- 70 impression cylinder
- 80 plate cylinder
- 100 ink wiping system (embodiment of Figure 3)
- 25 100' ink wiping system (embodiment of Figures 4A-4L)
- 100'' ink wiping system (embodiment of Figures 5A-5J)
- 101 wiping tank
- 101a wiping roller bearing (upper part - removable)
- 101b wiping roller bearing (lower part - static)
- 30 102 (used) wiping roller assembly
- 102' wiping roller assembly 102 in parking position P (Figure 3)
- 102* (new) wiping roller assembly

- 104 drying blade
- 110 storage section at parking position P
- 115 interlocking mating guide for guiding and positioning trolley 180 or 200 to machine frame
- 5 150 wiping roller retracting device
- 151 rotatable supporting arm (right-hand side)
- 151a movable retaining section of arm 151
- 152 rotatable supporting arm (left-hand side)
- 152a movable retaining section of arm 152
- 10 160 drive of wiping roller retracting device 150
- 170 wiping roller holding device
- 171 telescopic supporting arm (parking location P - right-hand side)
- 172 telescopic supporting arm (parking location P - left-hand side)
- 180 trolley (first embodiment – Figures 4A-4L)
- 15 180a support portion of trolley 180
- 200 trolley (second embodiment – Figures 5A-5J)
- 200a upper support portion of trolley 200
- 200b lower support portion of trolley 200
- W defined working position / location of wiping roller assembly (Figures 3, 20 4A, 4B, 4L, 5A, 5G-5J)
- P defined parking position / location of wiping roller assembly (Figures 3, 5B-5G)
- O pivoting axis of wiping roller retracting device 150
- 25 I defined (first) intermediate position of wiping roller retracting device 150 (Figures 4E-4I, 5C-5E)
- T defined (second) intermediate position of wiping roller retracting device 150 for interaction with trolley 180 or 200 (Figures 4D, 4J, 5F)
- A pivoting movement of wiping roller assembly 102 from working position W to parking position P and vice versa (Figure 3)

2013229082 19 Sep 2014

Throughout this specification and the claims which follow, unless the context requires otherwise, the word "comprise", and variations such as "comprises" and "comprising", will be understood to imply the inclusion of a stated integer or step or group of integers or steps but not the exclusion of any other integer or step or group of integers or steps.

The reference to any prior art in this specification is not, and should not be taken as, an acknowledgement or any form of suggestion that the prior art forms part of the common general knowledge in Australia.

10

2013229082 19 Sep 2014

CLAIMS

1. An ink wiping system of an intaglio printing press comprising a wiping tank and a rotatable wiping roller assembly supported on and partly
5 located in the wiping tank for wiping excess ink from the surface of a rotatable intaglio printing cylinder of the intaglio printing press,

wherein the ink wiping system comprises a wiping roller retracting device which forms an integral part of the ink wiping system and is adapted to be coupled to the wiping roller assembly to move the wiping roller assembly
10 between a working position where the wiping roller assembly is supported on and partly located in the wiping tank for cooperation with the intaglio printing cylinder and a parking position where the wiping roller assembly is retracted out of the wiping tank and away from the intaglio printing cylinder,

wherein, in the working position of the wiping roller assembly, the wiping
15 roller retracting device is coupled to the wiping roller assembly,

and wherein the ink wiping system includes, at the parking position, a storage section adapted to receive the wiping roller assembly which is retracted by the wiping roller retracting device.

20 2. The ink wiping system as defined in claim 1, wherein the storage section is located immediately below the wiping tank.

3. The ink wiping system as defined in claim 1, wherein the wiping
25 roller retracting device is adapted to release the wiping roller assembly in the parking position.

4. The ink wiping system as defined claim 3, wherein the storage
30 section is provided with a wiping roller holding device adapted to hold the wiping roller assembly in the parking position upon release by the wiping roller retracting device.

2013229082 19 Sep 2014

5 5. The ink wiping system as defined in claim 4, wherein the wiping roller holding device comprises first and second arms adapted to be brought into cooperation with a respective one of first and second extremities of the wiping roller assembly.

10 6. The ink wiping system as defined in any one of claims 1 to 5, further comprising an interlocking mating guide designed to guide and position a trolley with respect to the ink wiping system and along a path of the wiping roller retracting device, which trolley is designed to allow exchange of a used wiping roller assembly by a new wiping roller assembly.

15 7. The ink wiping system as defined in claim 6, wherein the wiping roller retracting device is adapted to move and release the used wiping roller assembly in the parking position, prior to coupling of a trolley to the interlocking mating guide,

and wherein the storage section is provided with means for transferring the used wiping roller assembly from the storage section onto the trolley coupled to the interlocking mating guide.

20 8. The ink wiping system as defined in claim 6, wherein the wiping roller retracting device is adapted to move and release the used wiping roller assembly directly onto a trolley coupled to the interlocking mating guide.

25 9. The ink wiping system as defined in claim 6, wherein the wiping roller retracting device is adapted to take up the new wiping roller assembly sitting on a trolley coupled to the interlocking mating guide and move the new wiping roller assembly directly from the trolley to the working position.

30 10. The ink wiping system as defined in any one of claims 1 to 5, wherein the wiping roller retracting device is adapted to pivot the wiping roller assembly away from and to the working position.

2013229082 19 Sep 2014

11. The ink wiping system as defined in claim 10, wherein the wiping roller retracting device comprises first and second rotatable supporting arms adapted to be coupled at one end to a respective one of first and second extremities of the wiping roller assembly.

5

12. The ink wiping system as defined in claim 10, wherein the wiping roller retracting device is pivotally supported onto the wiping tank.

13. The ink wiping system as defined in any one of claims 1 to 5, wherein the wiping tank is fixedly secured to a machine frame of the intaglio printing press and cannot move with respect to the machine frame.

14. An ink wiping system of an intaglio printing press comprising a wiping tank and a rotatable wiping roller assembly supported on and partly located in the wiping tank for wiping excess ink from the surface of a rotatable intaglio printing cylinder of the intaglio printing press,

wherein the ink wiping system comprises a wiping roller retracting device which forms an integral part of the ink wiping system and is adapted to be coupled to the wiping roller assembly to move the wiping roller assembly between a working position where the wiping roller assembly is supported on and partly located in the wiping tank for cooperation with the intaglio printing cylinder and at least one retracted position where the wiping roller assembly is retracted out of the wiping tank and away from the intaglio printing cylinder,

wherein, in the working position of the wiping roller assembly, the wiping roller retracting device is coupled to the wiping roller assembly,

and wherein the ink wiping system further comprises an interlocking mating guide designed to guide and position a trolley with respect to the ink wiping system and along a path of the wiping roller retracting device, which trolley is designed to allow exchange of a used wiping roller assembly by a new wiping roller assembly.

30

2013229082 19 Sep 2014

15. The ink wiping system as defined in claim 14, wherein the wiping roller retracting device is adapted to move and release the used wiping roller assembly directly onto a trolley coupled to the interlocking mating guide.

5 16. The ink wiping system as defined in claim 14, wherein the wiping roller retracting device is adapted to take up the new wiping roller assembly sitting on a trolley coupled to the interlocking mating guide and move the new wiping roller assembly directly from the trolley to the working position.

10 17. The ink wiping system as defined in any one of claims 14 to 16, wherein the wiping roller retracting device is adapted to pivot the wiping roller assembly away from and to the working position.

15 18. The ink wiping system as defined in claim 17, wherein the wiping roller retracting device comprises first and second rotatable supporting arms adapted to be coupled at one end to a respective one of first and second extremities of the wiping roller assembly.

20 19. The ink wiping system as defined in claim 17, wherein the wiping roller retracting device is pivotally supported onto the wiping tank.

25 20. The ink wiping system as defined in any one of claims 14 to 16, wherein the wiping tank is fixedly secured to a machine frame of the intaglio printing press and cannot move with respect to the machine frame.

21. An intaglio printing press comprising an ink wiping system as defined in any one of claims 1 to 5.

30 22. An intaglio printing press comprising an ink wiping system as defined in any one of claims 14 to 16.

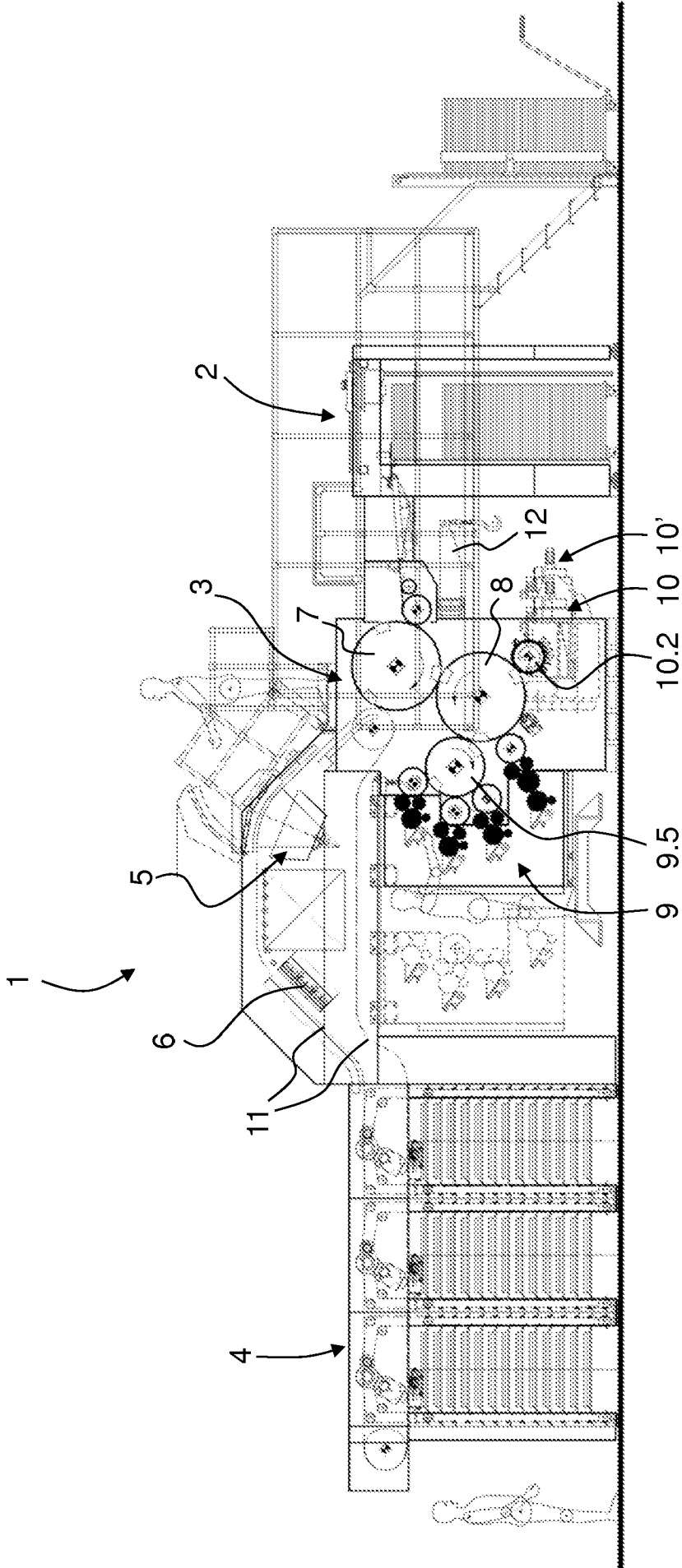


Fig. 1
(PRIOR ART)

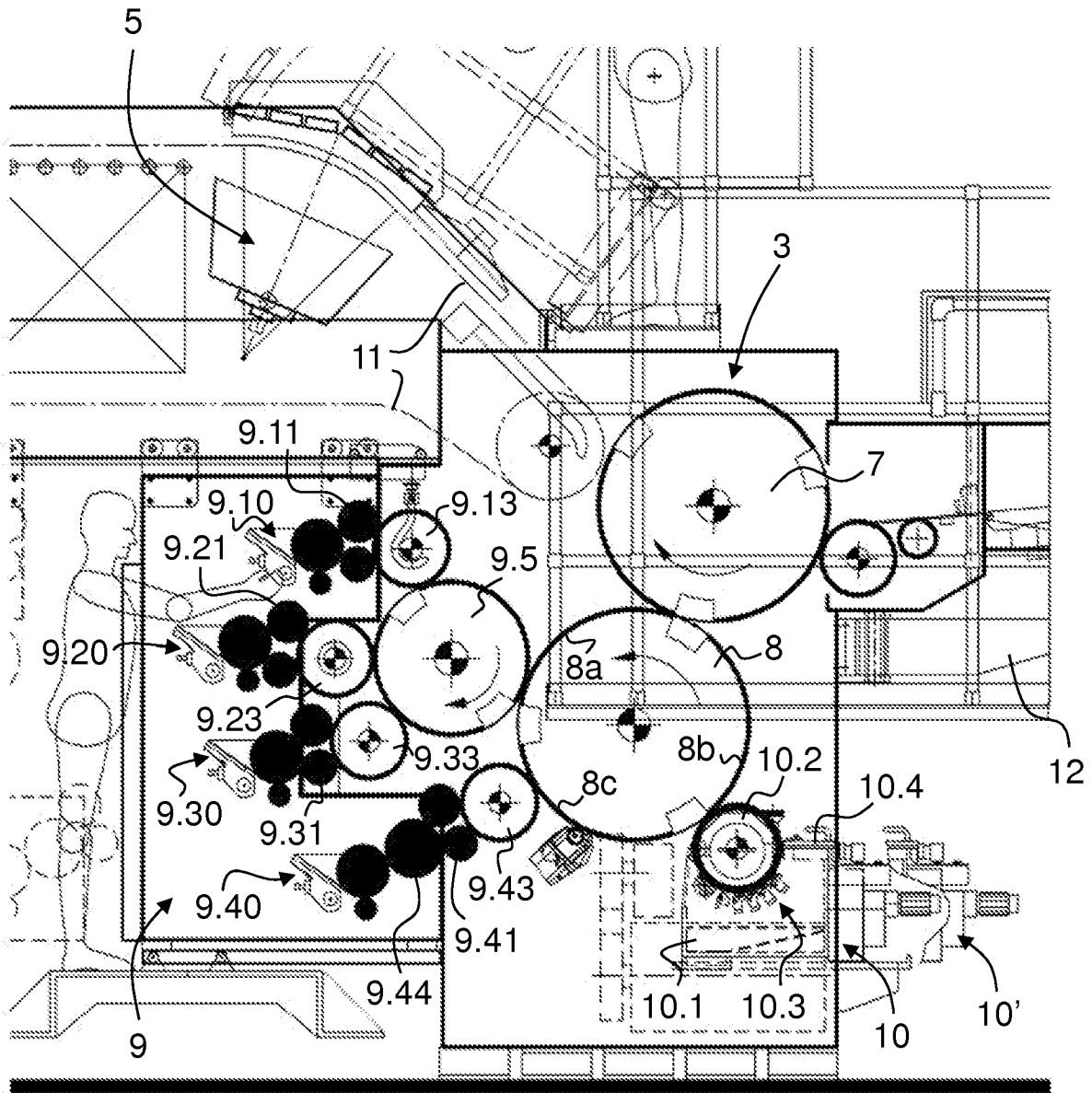


Fig. 2
(PRIOR ART)

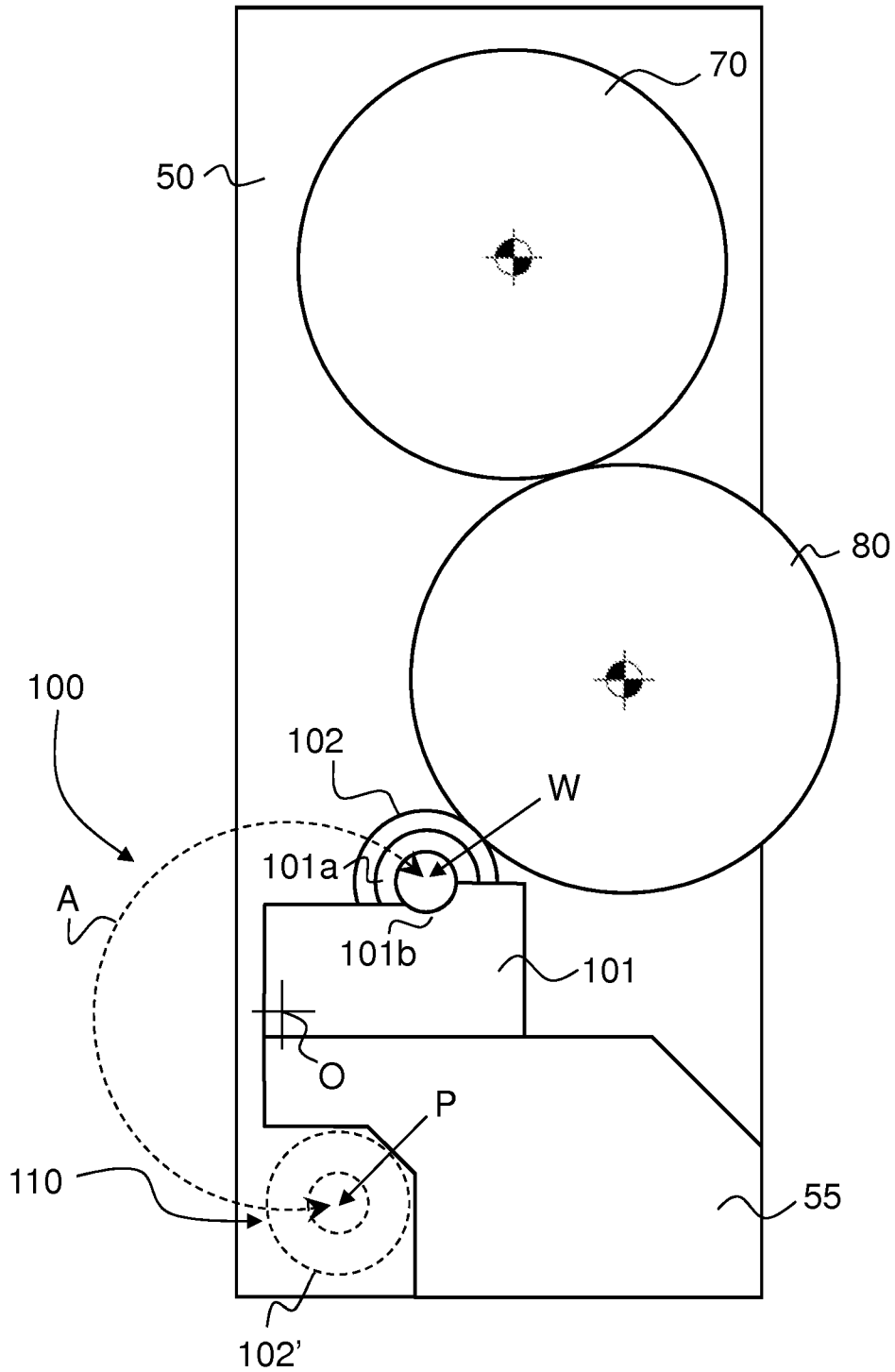


Fig. 3

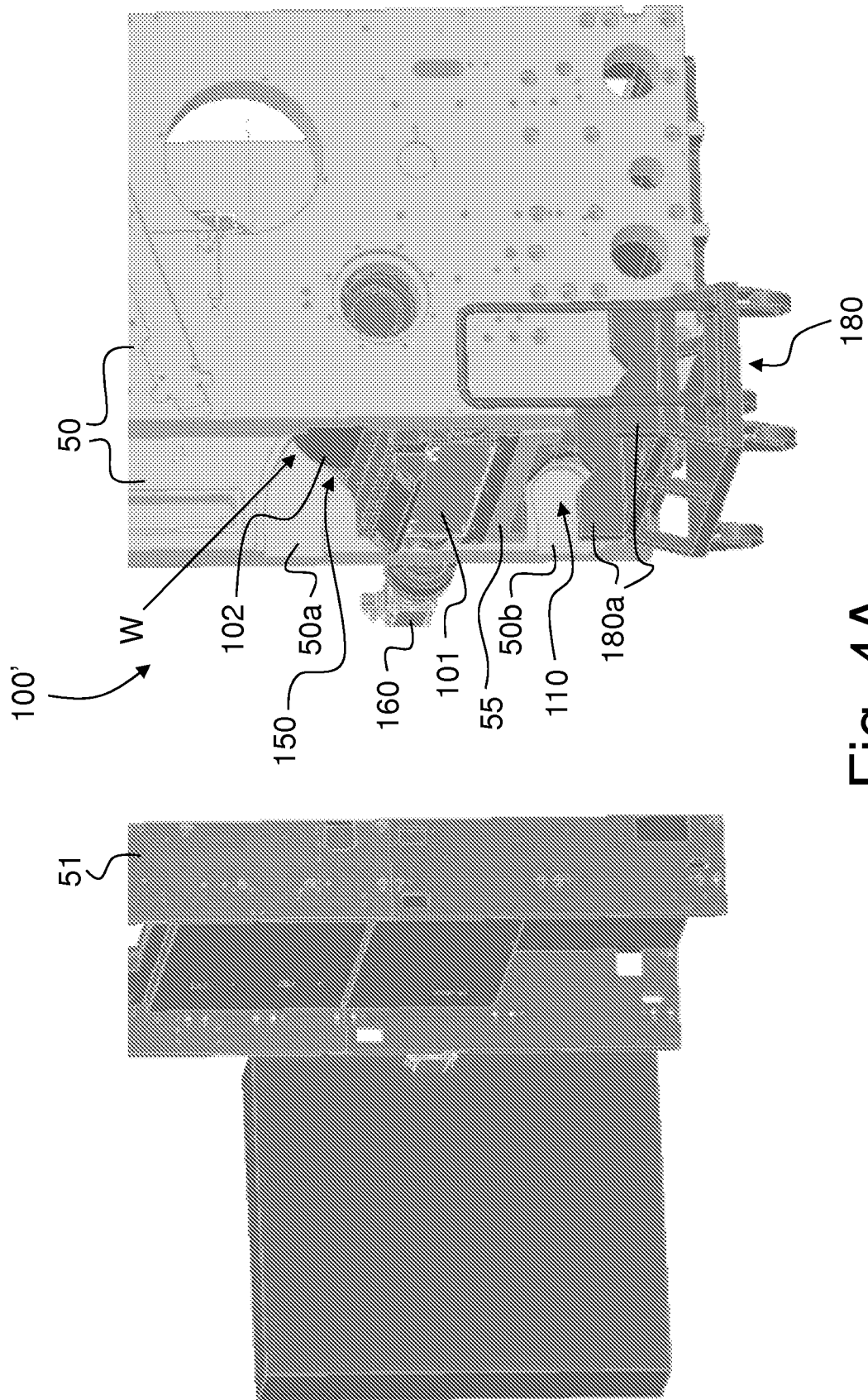


Fig. 4A

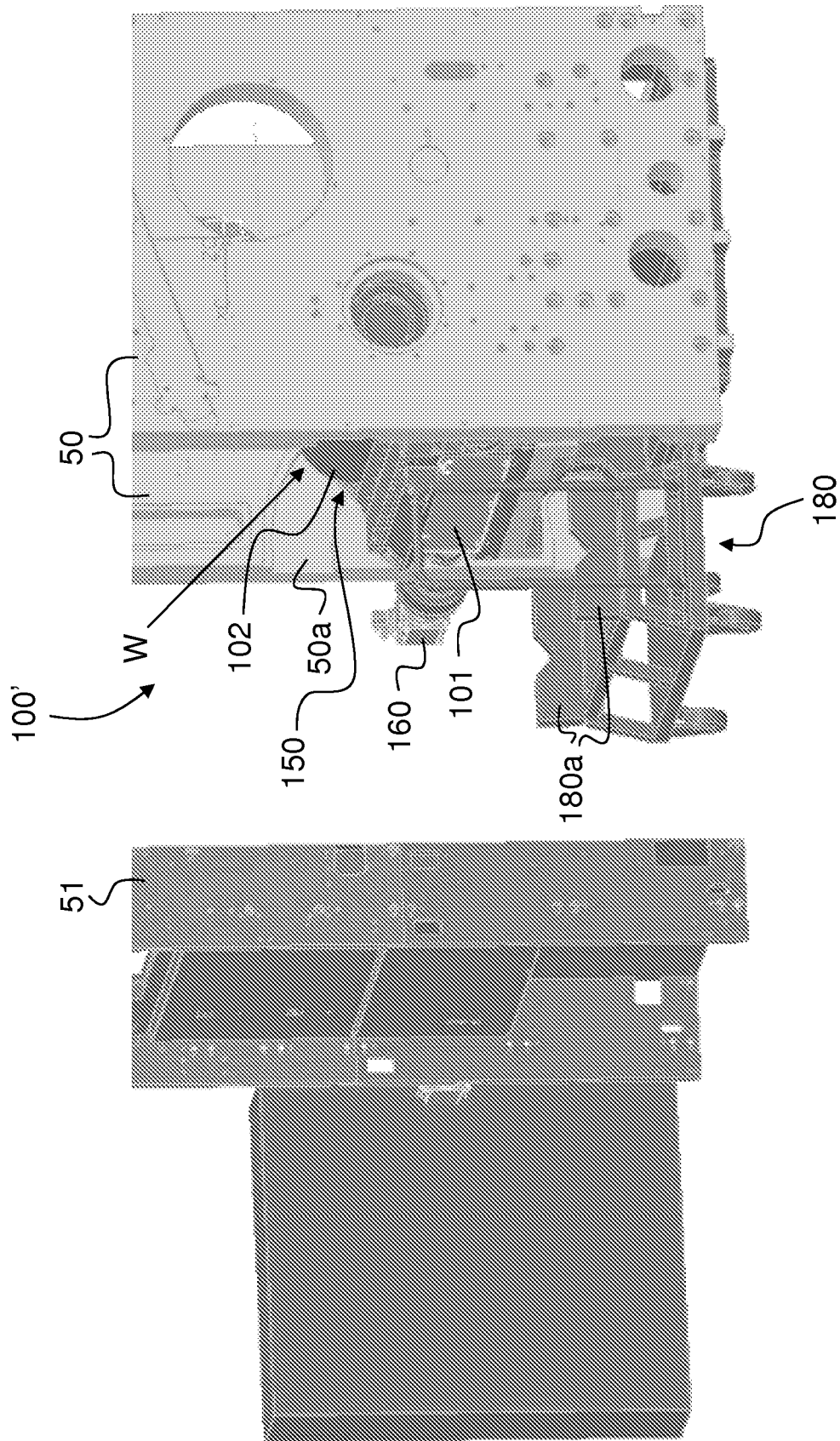


Fig. 4B

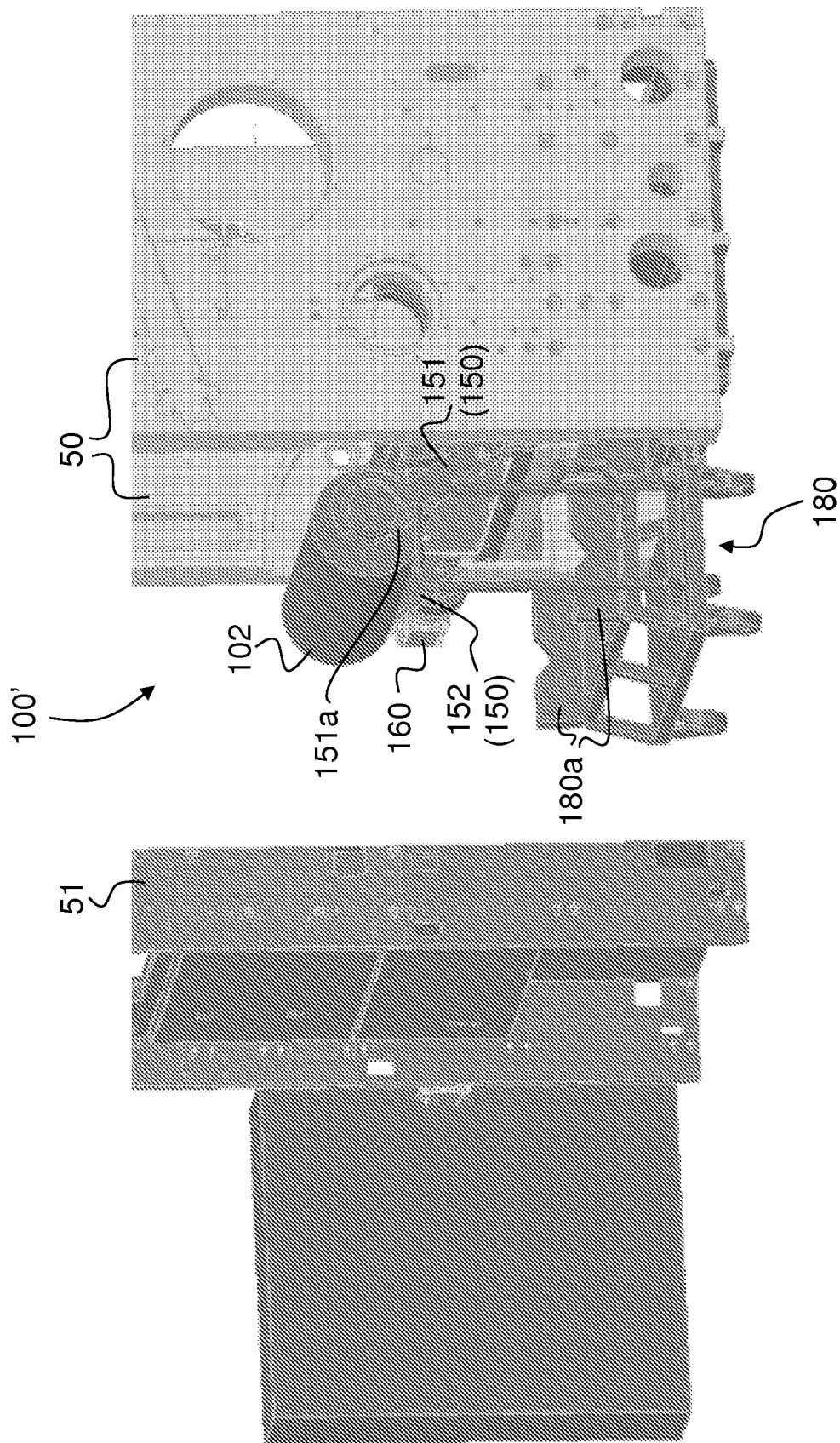


Fig. 4C

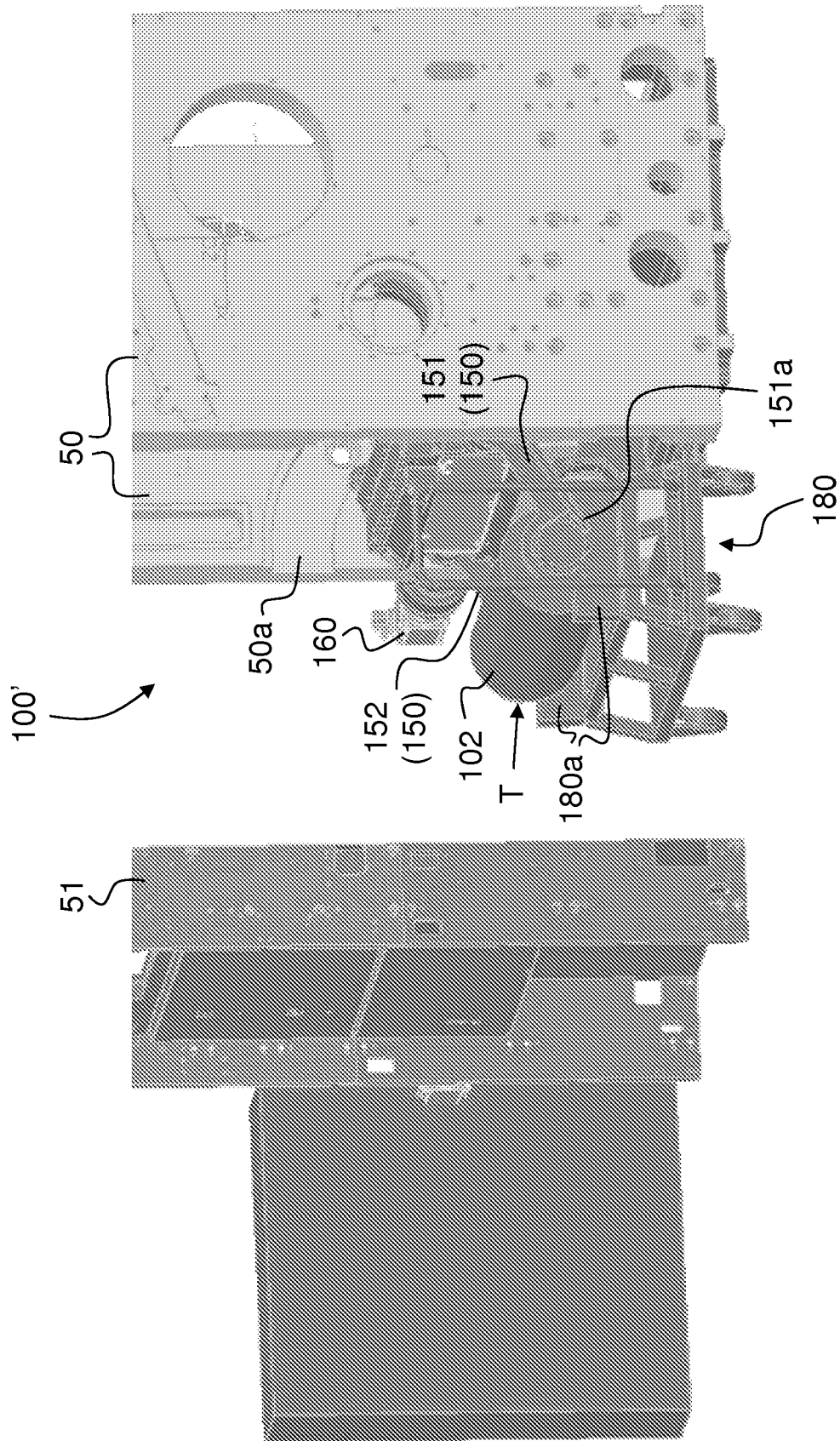


Fig. 4D

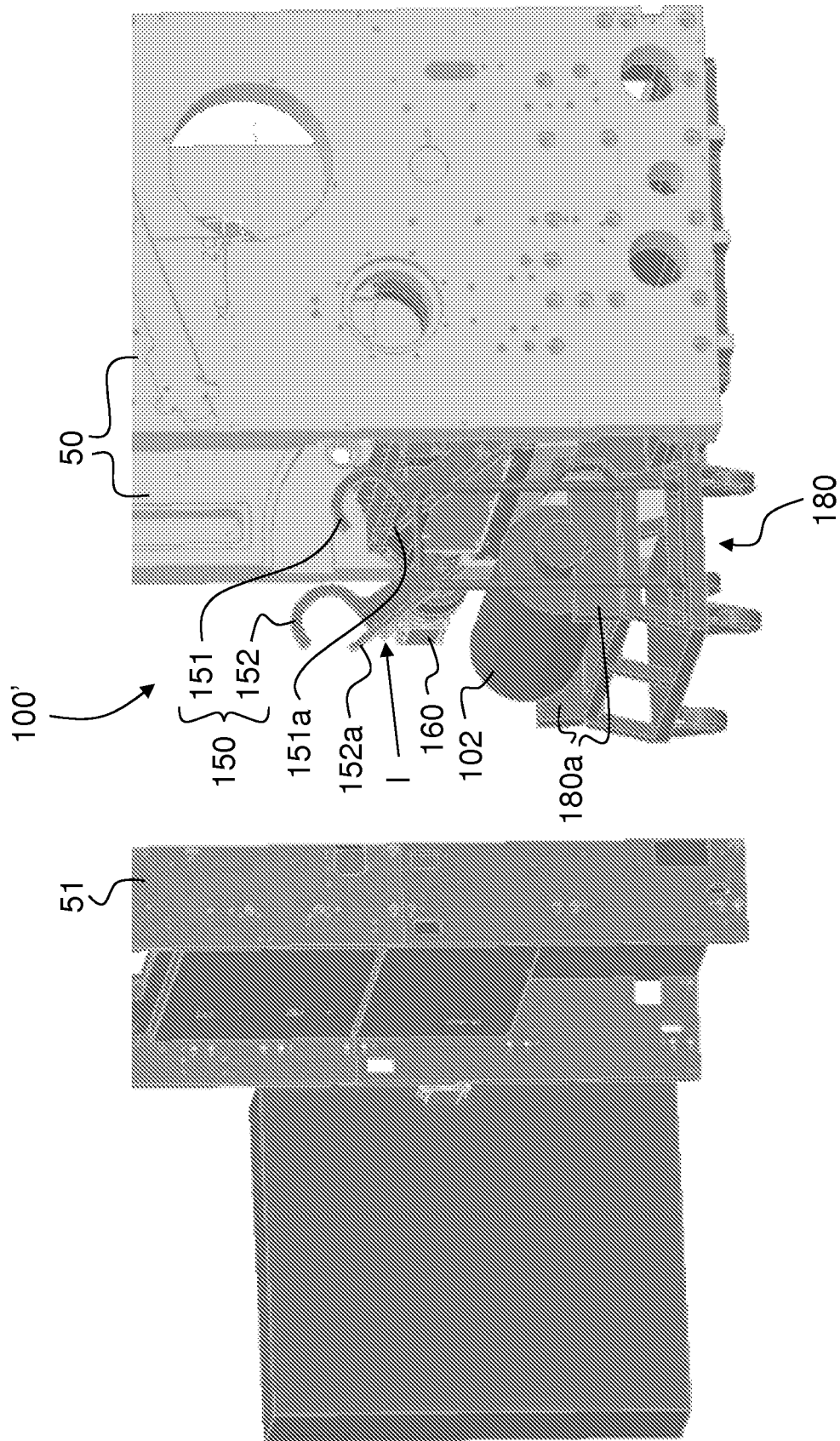


Fig. 4E

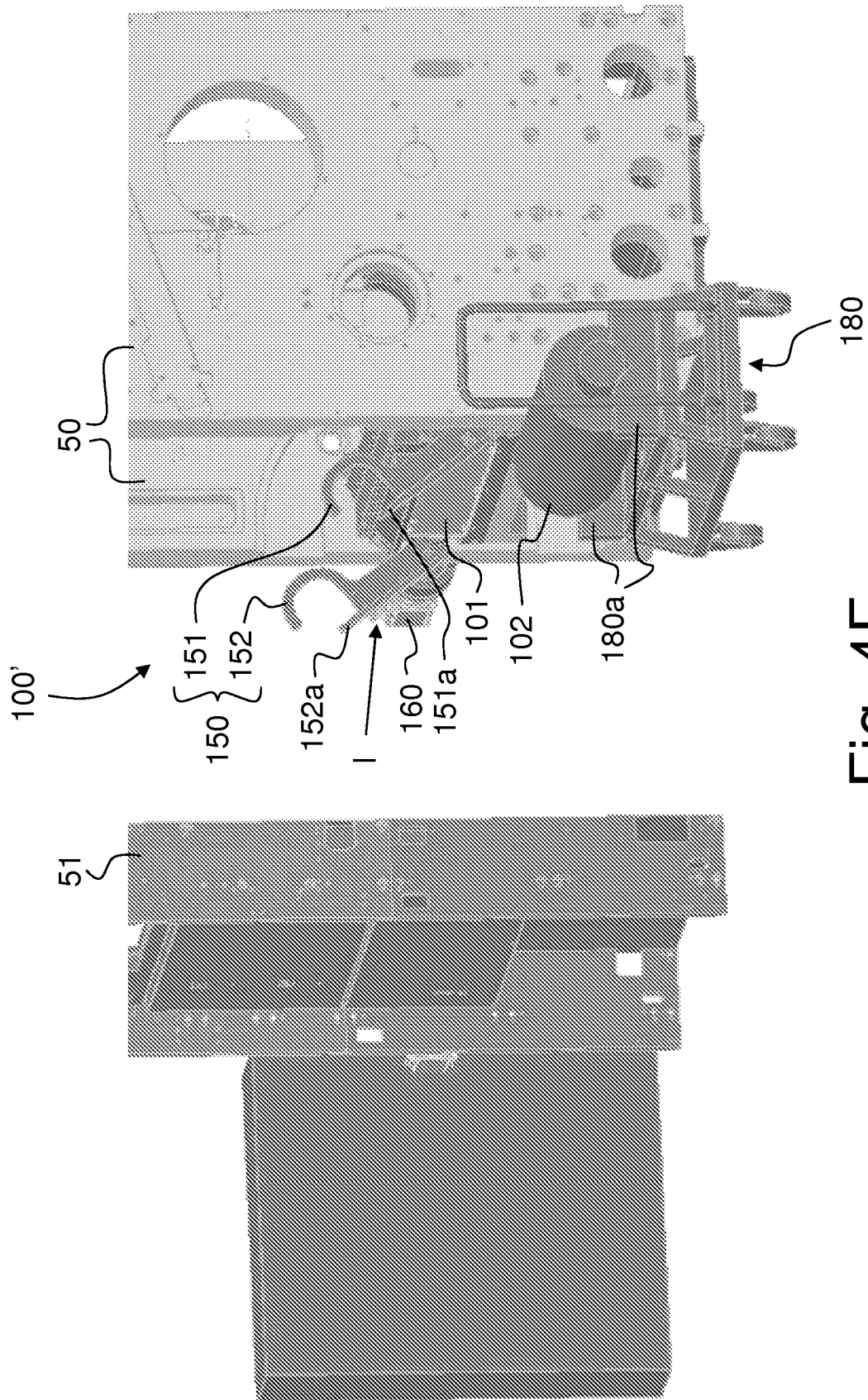


Fig. 4F

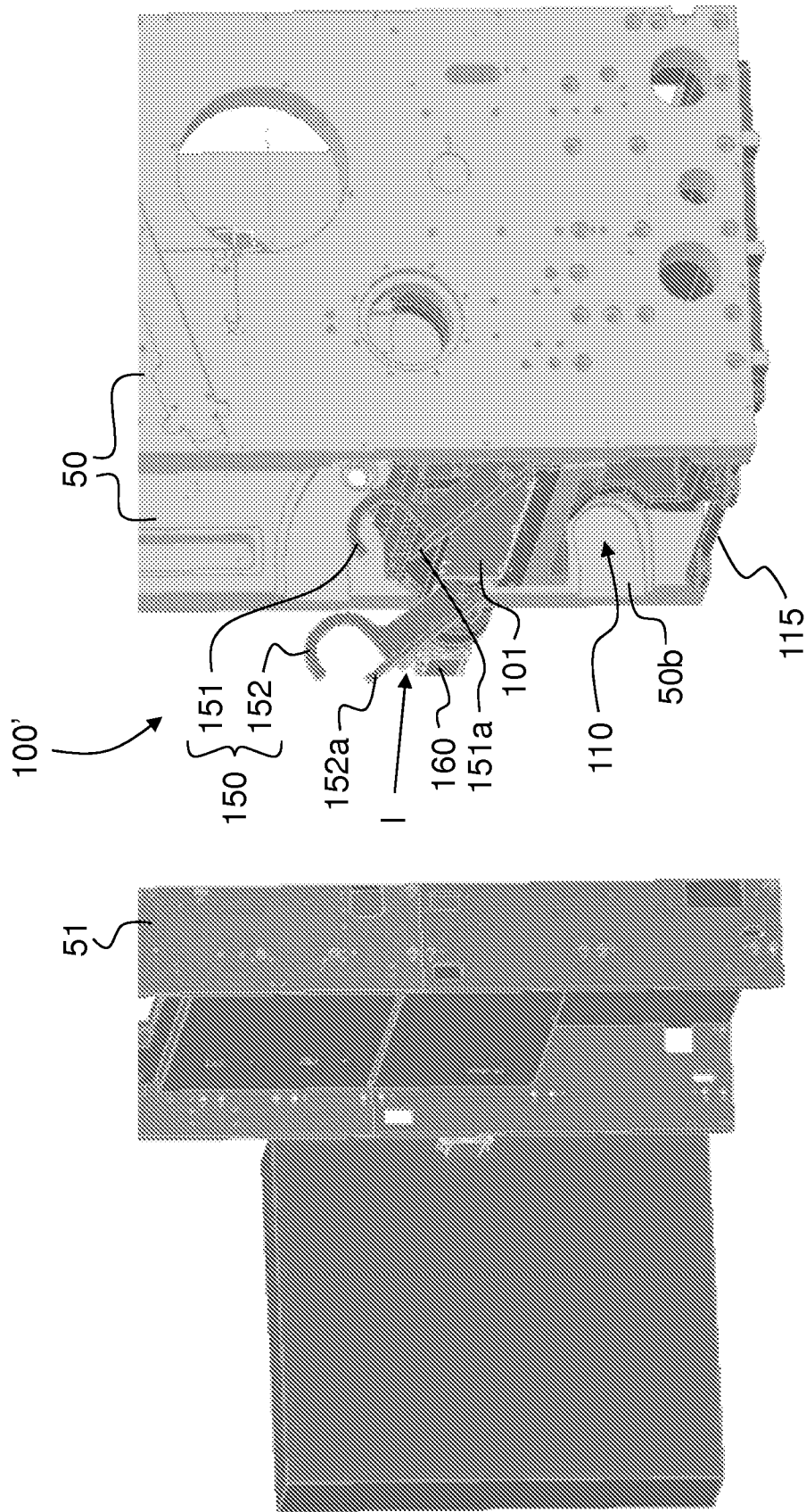


Fig. 4G

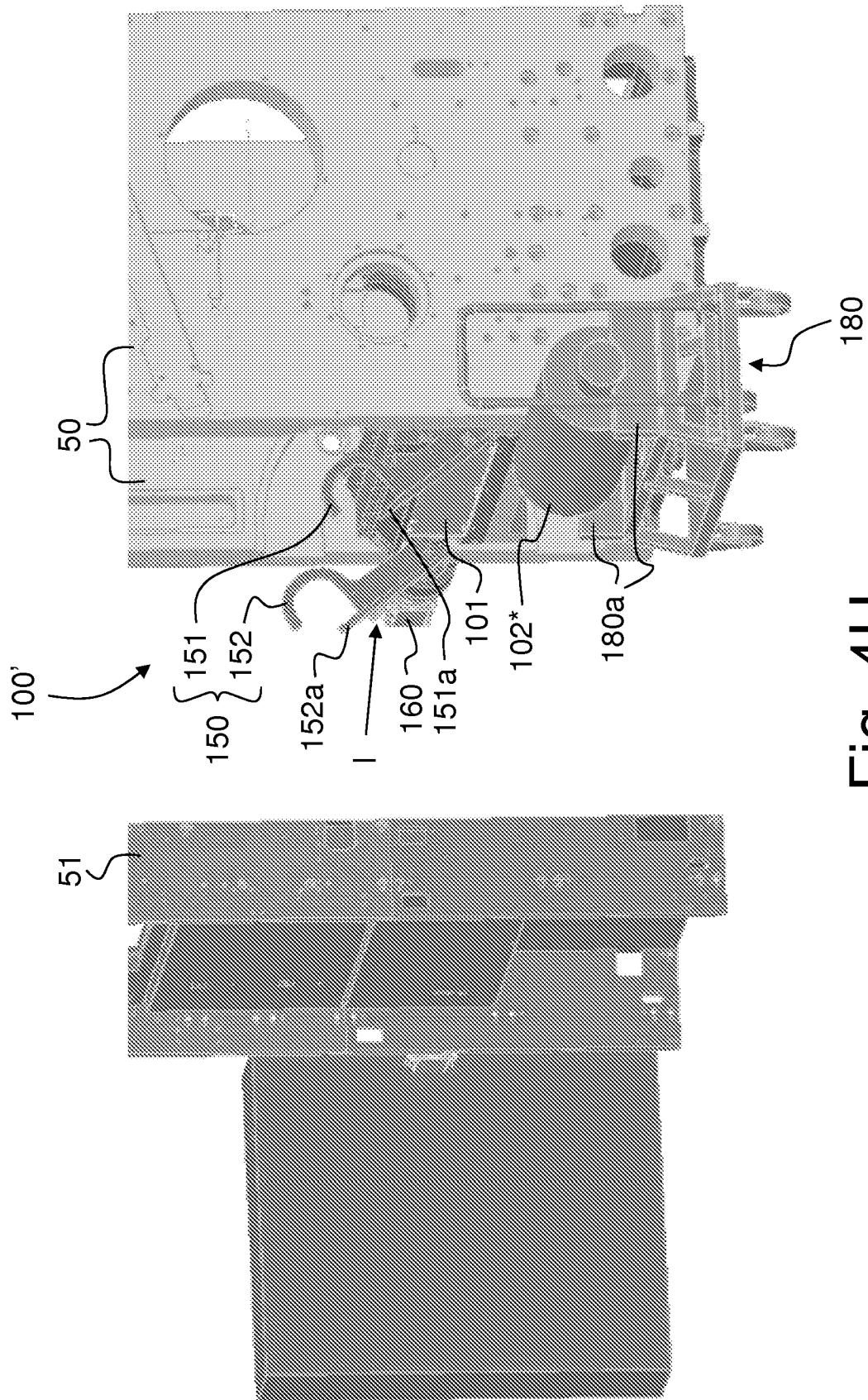


Fig. 4H

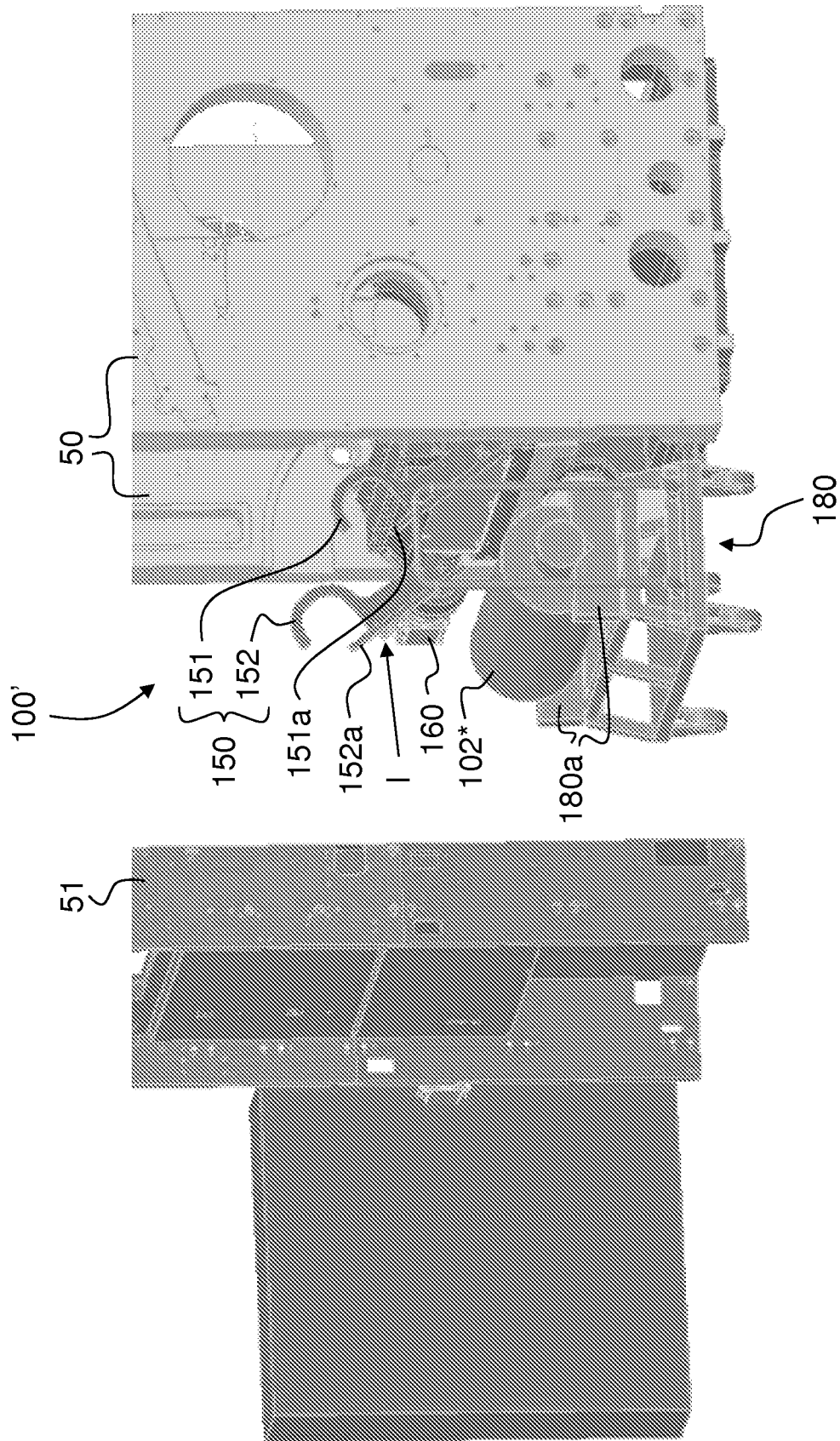


Fig. 4I

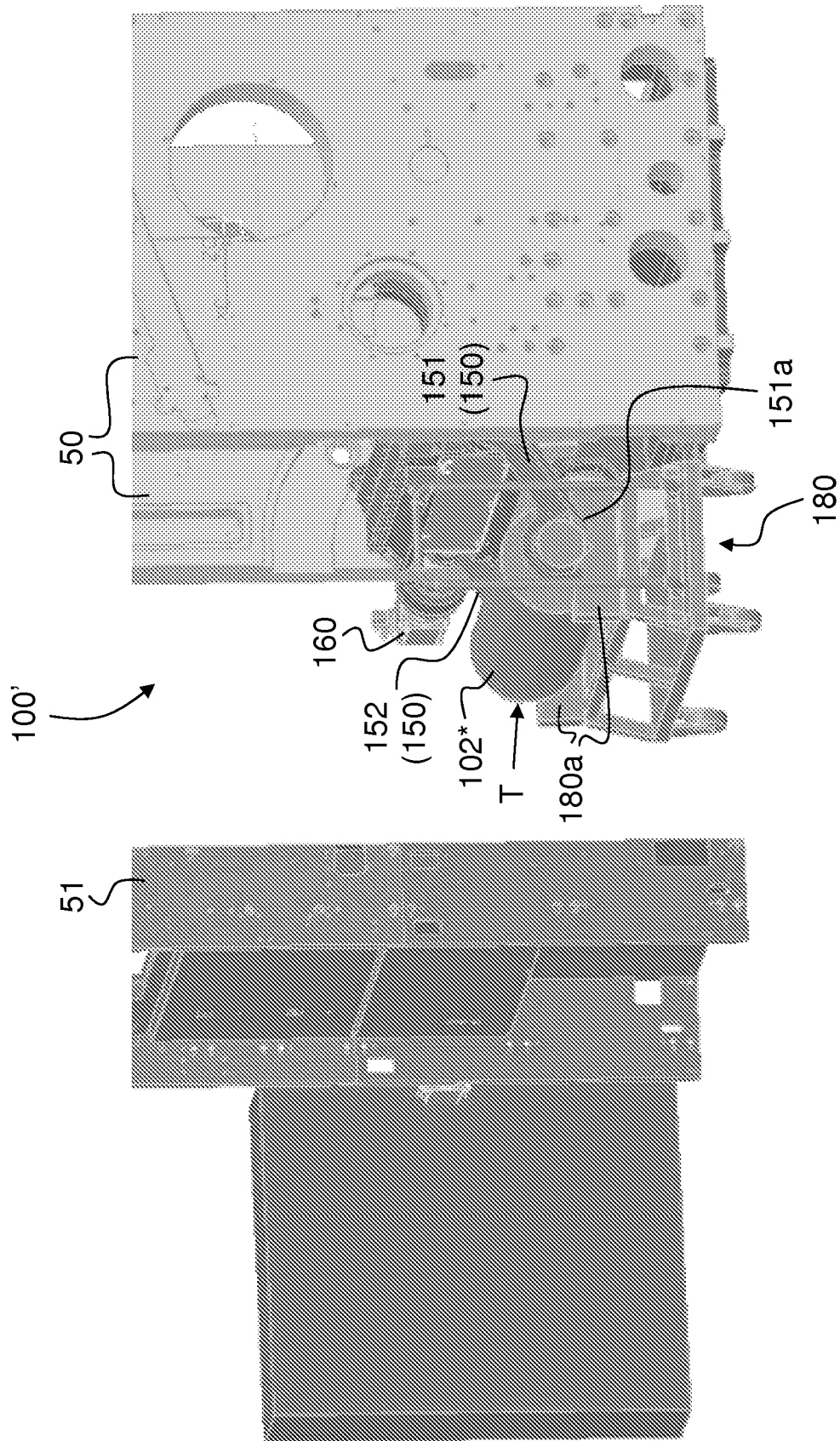


Fig. 4J

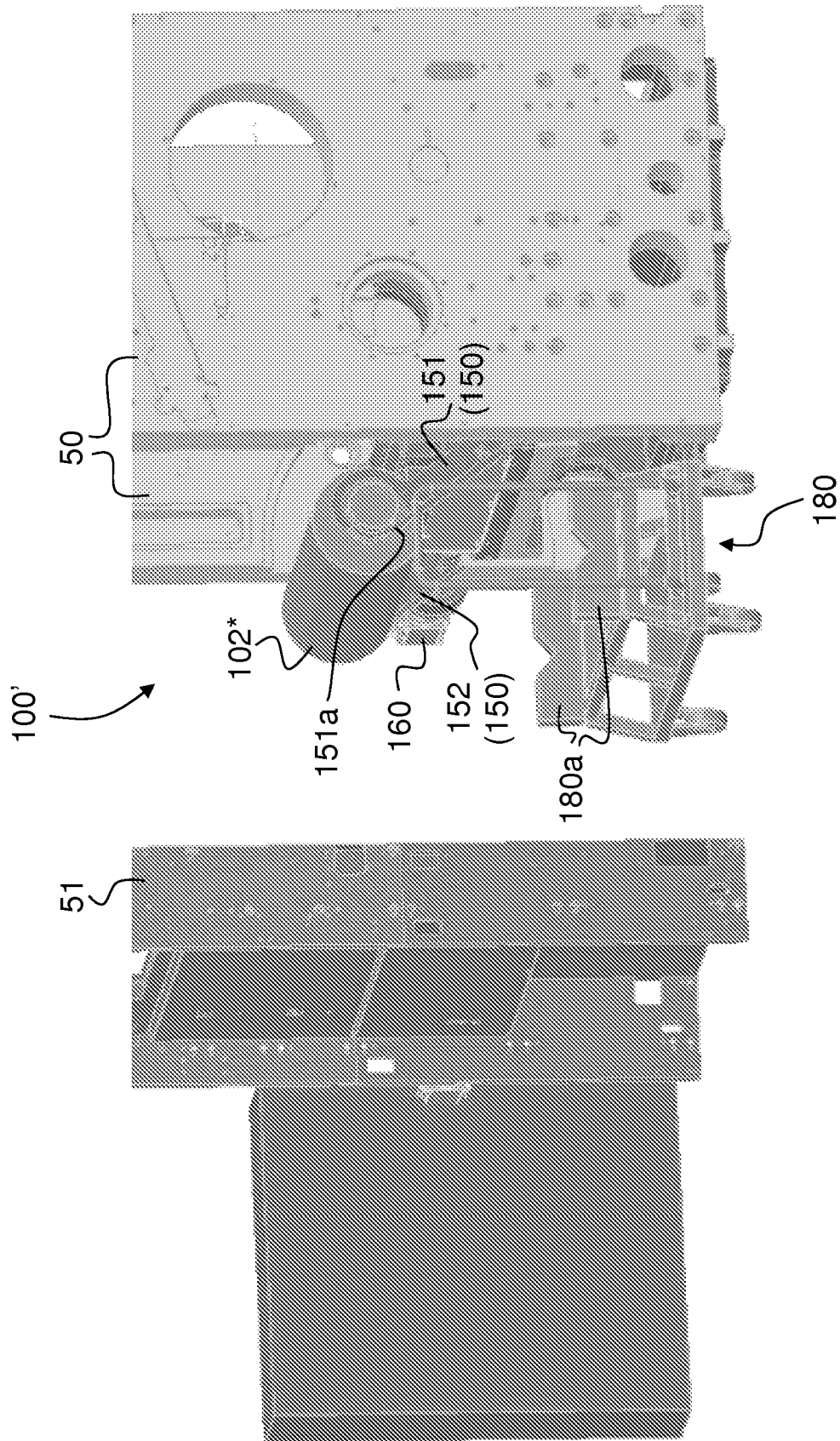


Fig. 4K

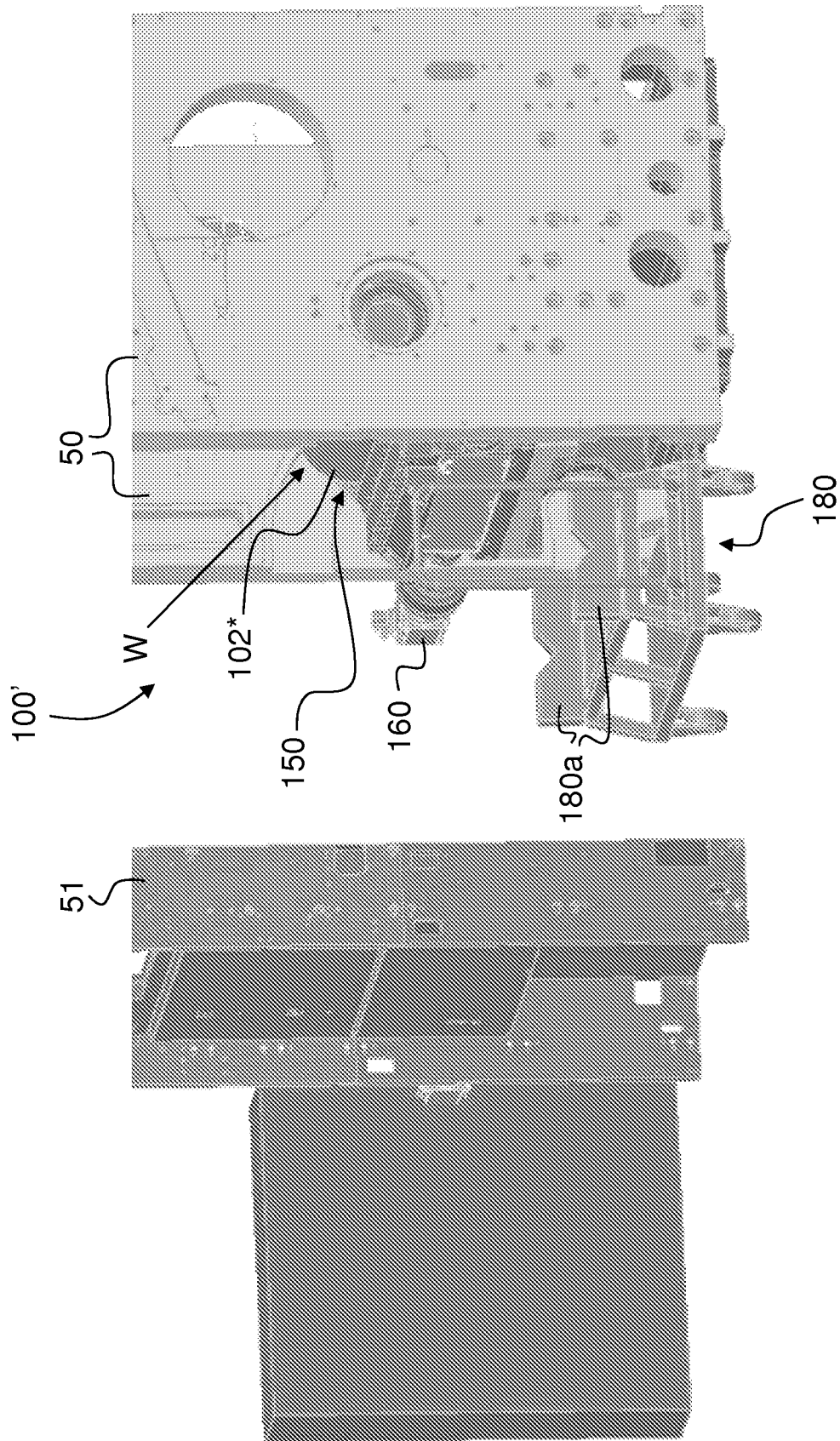


Fig. 4L

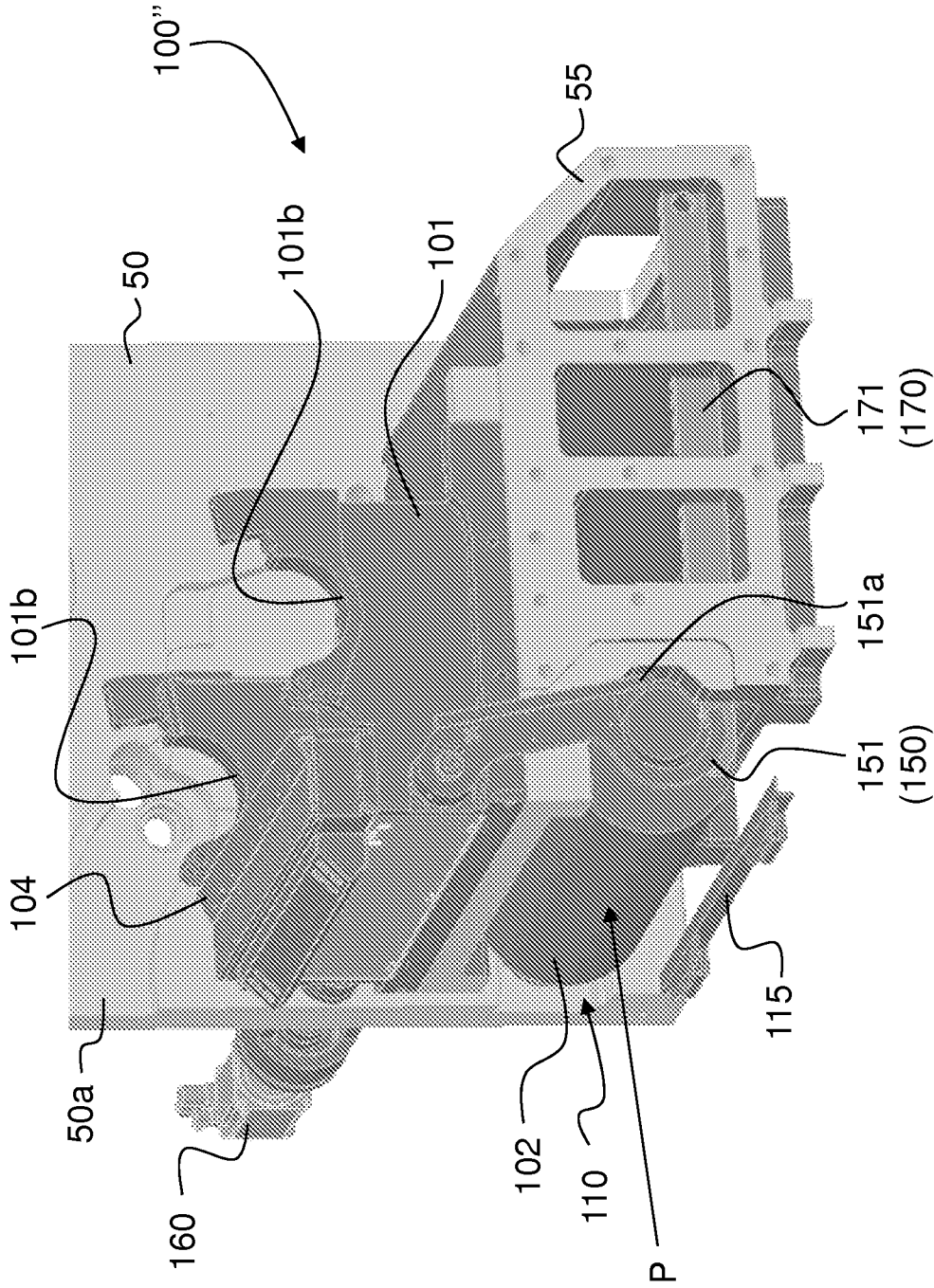


Fig. 5B

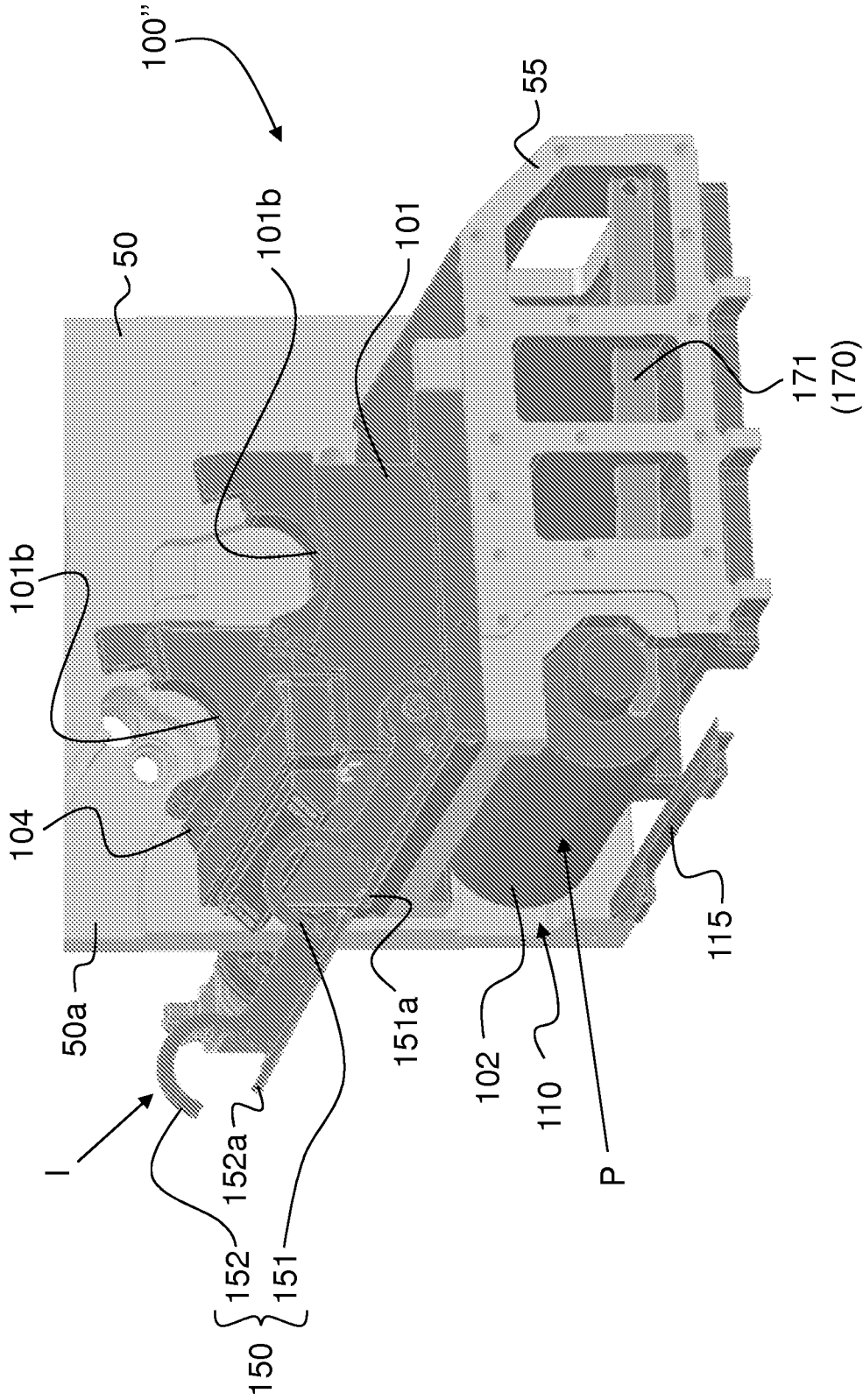


Fig. 5C

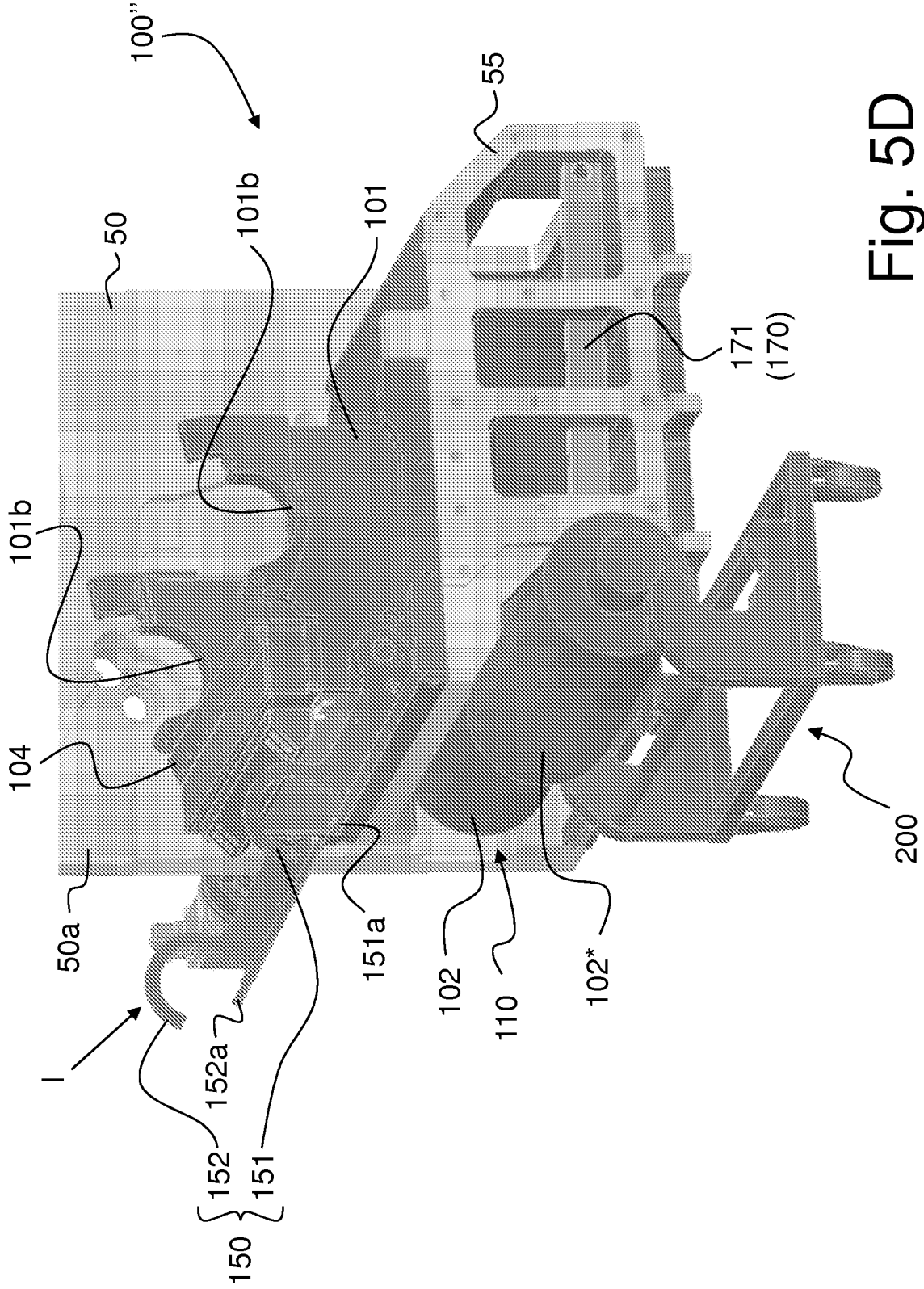


Fig. 5D

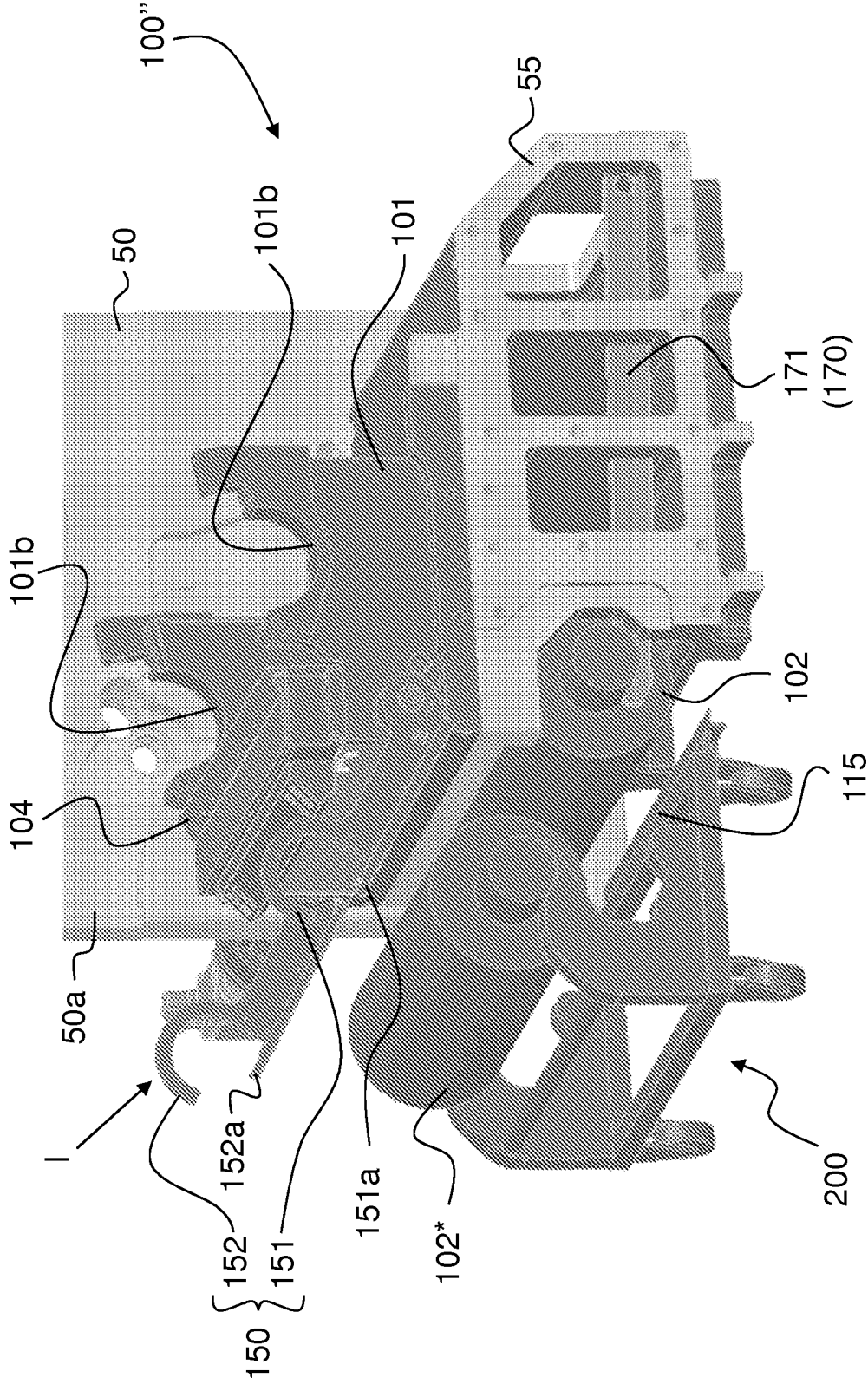


Fig. 5E

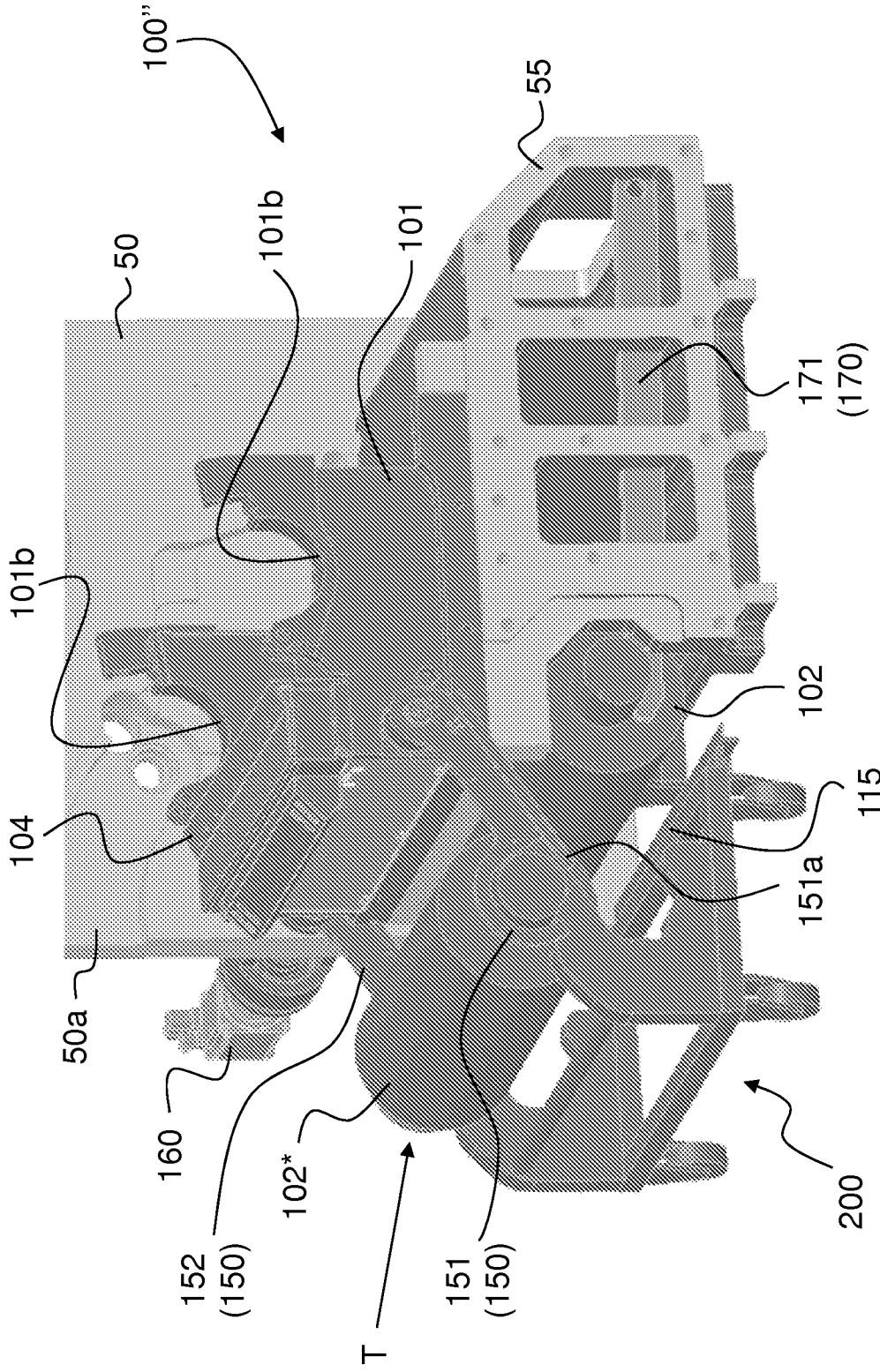


Fig. 5F

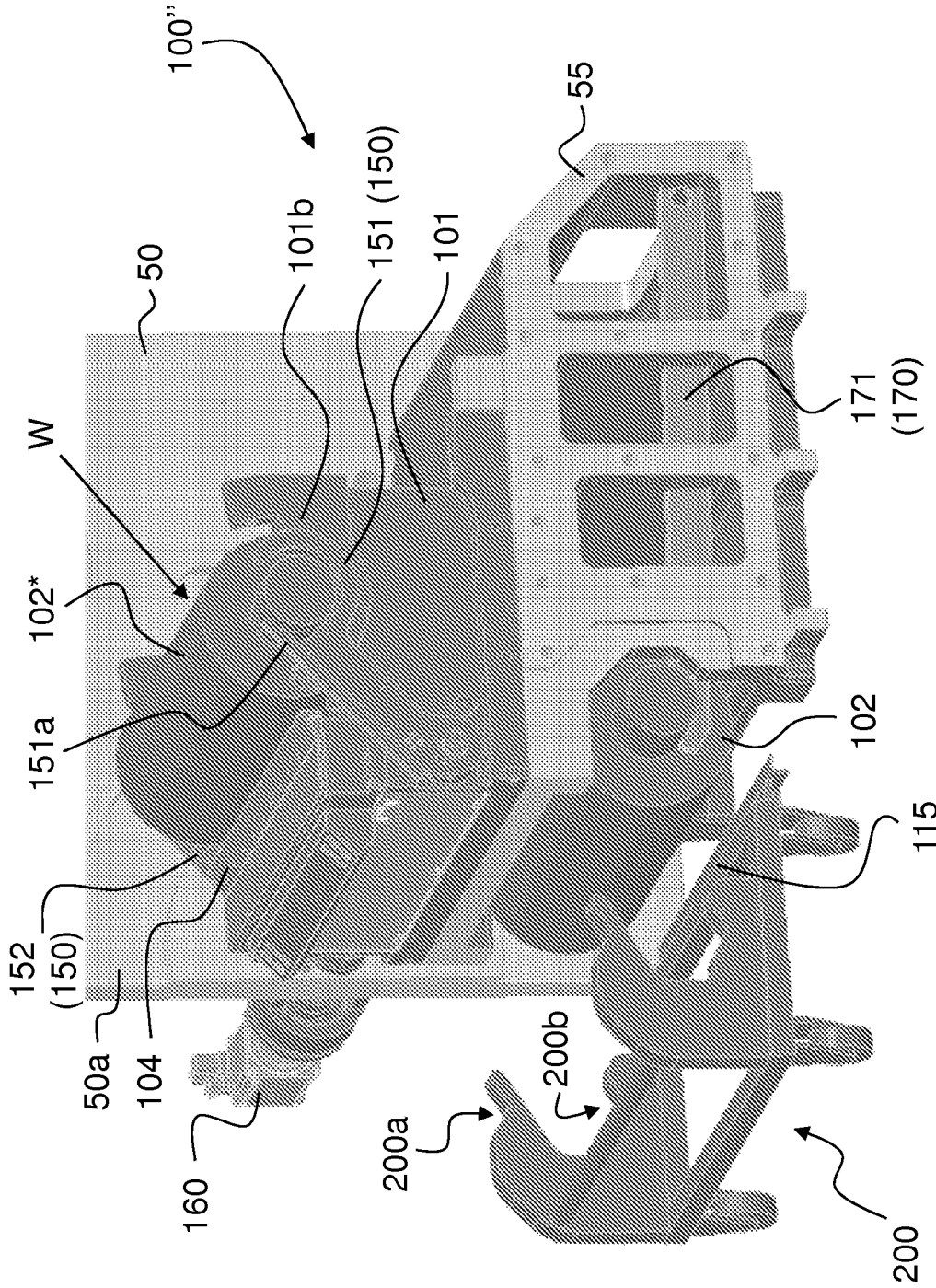


Fig. 5G

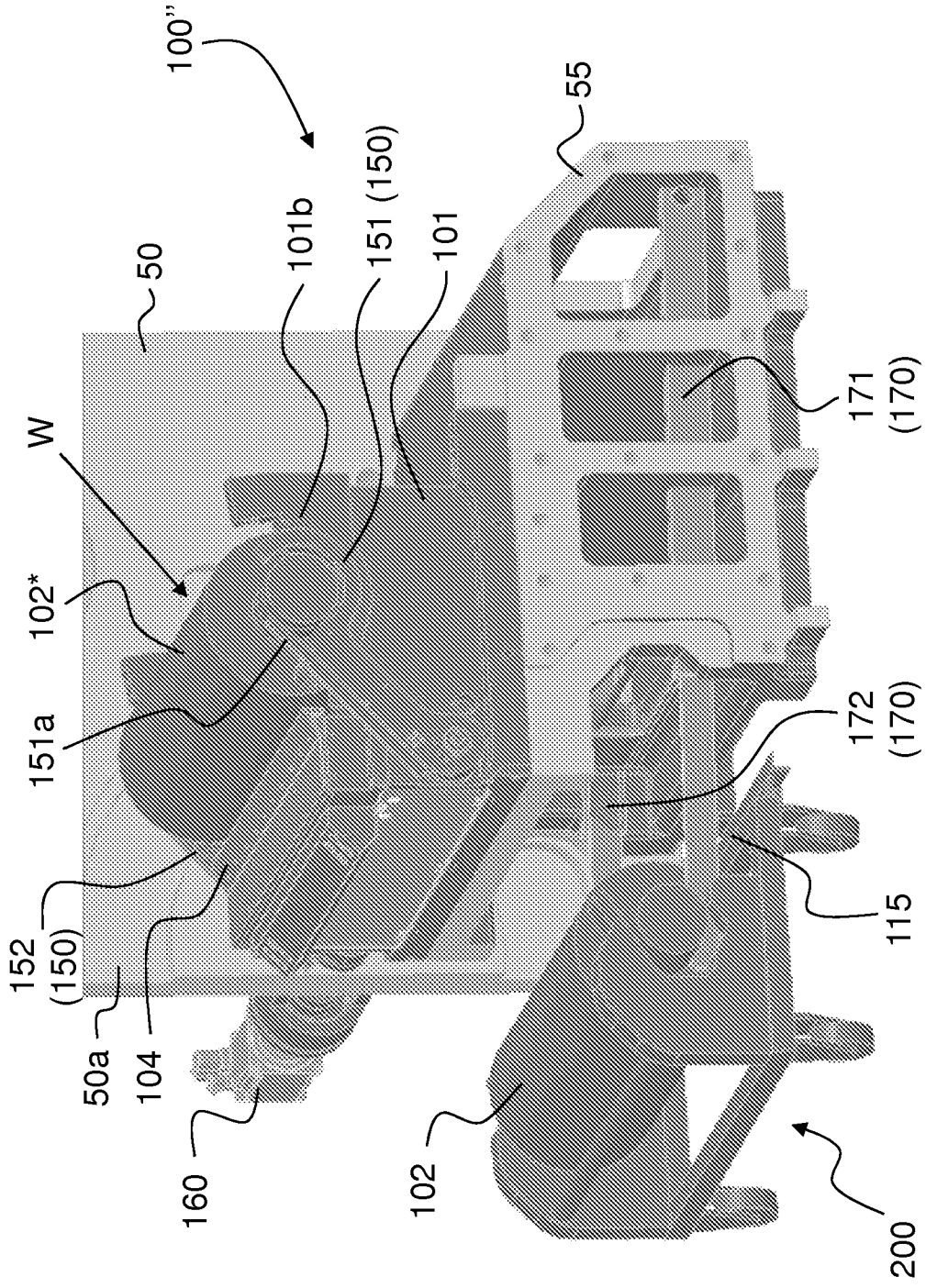


Fig. 5H

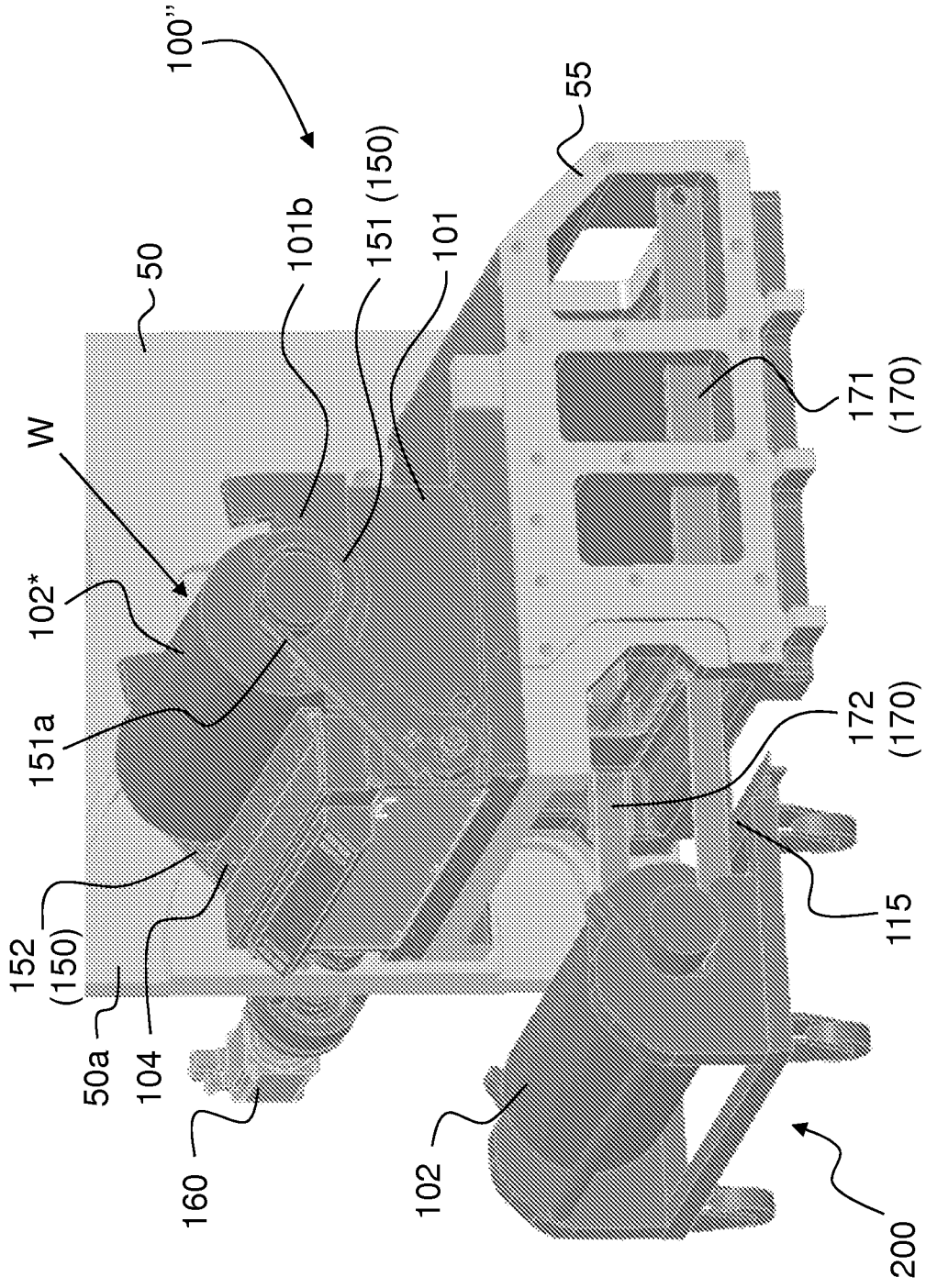


Fig. 5I

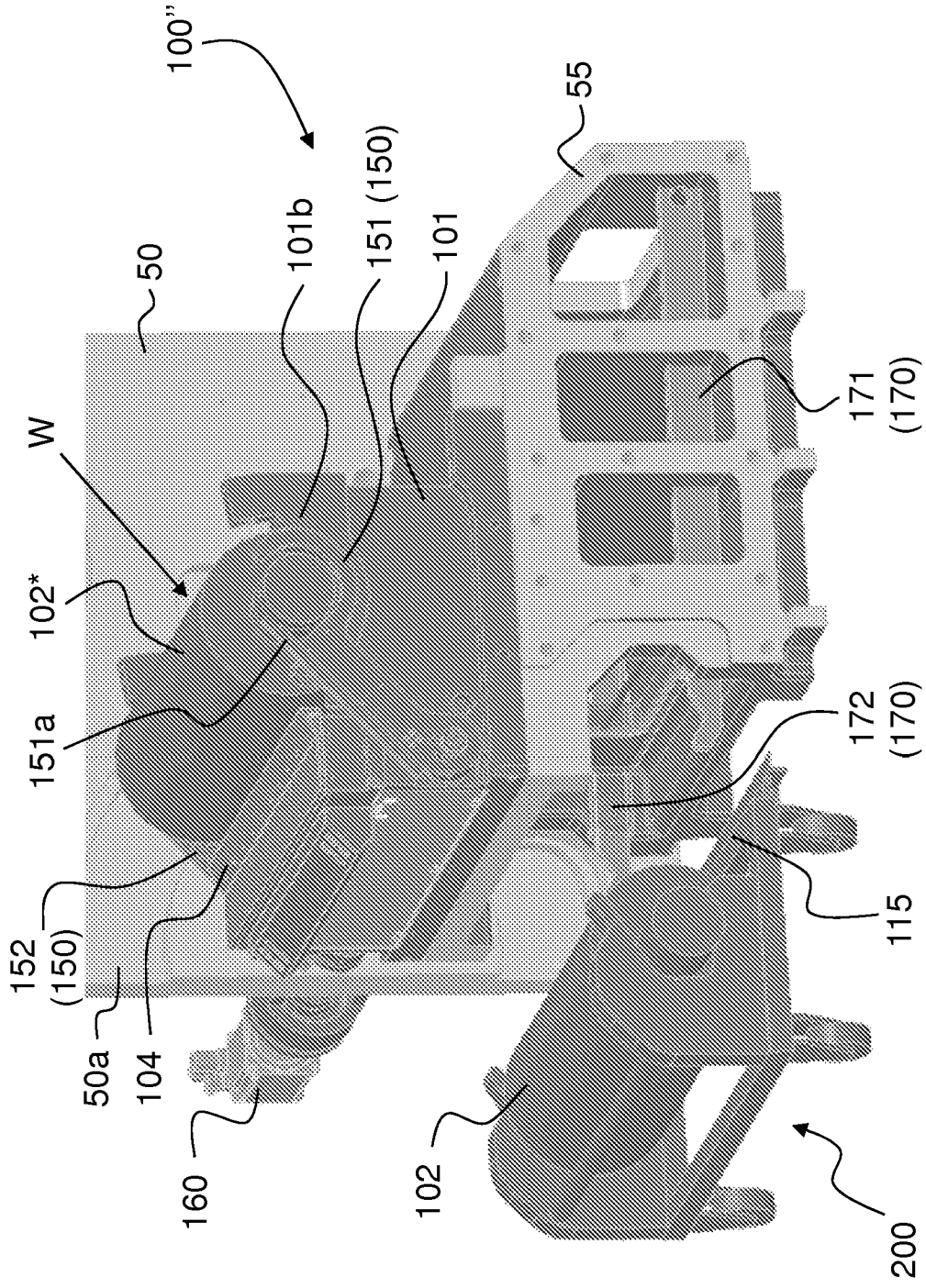


Fig. 5J