

(19) World Intellectual Property Organization
International Bureau



(43) International Publication Date
8 March 2012 (08.03.2012)

(10) International Publication Number
WO 2012/030443 A3

(51) International Patent Classification:

C10G 31/00 (2006.01) C07C 7/00 (2006.01)
C10G 3/00 (2006.01) B01J 21/06 (2006.01)
C10L 1/02 (2006.01)

[CN/US]; 555 Pierce Street, Apt. 6200, Albany, California 94706 (US).

(21) International Application Number:

PCT/US2011/044722

(74) Agents: DIDOMENICIS, Karen R. et al.; Chevron Corporation, Law Department, Post Office Box 6006, San Ramon, California 94583-0806 (US).

(22) International Filing Date:

20 July 2011 (20.07.2011)

(81) Designated States (unless otherwise indicated, for every kind of national protection available): AE, AG, AL, AM, AO, AT, AU, AZ, BA, BB, BG, BH, BR, BW, BY, BZ, CA, CH, CL, CN, CO, CR, CU, CZ, DE, DK, DM, DO, DZ, EC, EE, EG, ES, FI, GB, GD, GE, GH, GM, GT, HN, HR, HU, ID, IL, IN, IS, JP, KE, KG, KM, KN, KP, KR, KZ, LA, LC, LK, LR, LS, LT, LU, LY, MA, MD, ME, MG, MK, MN, MW, MX, MY, MZ, NA, NG, NI, NO, NZ, OM, PE, PG, PH, PL, PT, RO, RS, RU, SC, SD, SE, SG, SK, SL, SM, ST, SV, SY, TH, TJ, TM, TN, TR, TT, TZ, UA, UG, US, UZ, VC, VN, ZA, ZM, ZW.

(25) Filing Language:

English

(26) Publication Language:

English

(30) Priority Data:

12/873,113 31 August 2010 (31.08.2010) US

(71) Applicant (for all designated States except US): CHEVRON U.S.A. INC. [US/US]; 6001 Bollinger Canyon Road, San Ramon, California 94583 (US).

(72) Inventors; and

(75) Inventors/Applicants (for US only): ZHOU, Zhen [CN/US]; 4 Commodore Drive #D223, Emeryville, California 94608 (US). HUSAIN, Shabbir [PK/US]; 3175 Garrity Way, San Pablo, California 94806 (US). LI, Lin

(84) Designated States (unless otherwise indicated, for every kind of regional protection available): ARIPO (BW, GH, GM, KE, LR, LS, MW, MZ, NA, SD, SL, SZ, TZ, UG, ZM, ZW), Eurasian (AM, AZ, BY, KG, KZ, MD, RU, TJ, TM), European (AL, AT, BE, BG, CH, CY, CZ, DE, DK, EE, ES, FI, FR, GB, GR, HR, HU, IE, IS, IT, LT, LU, LV, MC, MK, MT, NL, NO, PL, PT, RO, RS, SE, SI, SK,

[Continued on next page]

(54) Title: BIOFUEL PRODUCTION THROUGH CATALYTIC DEOXYGENATION

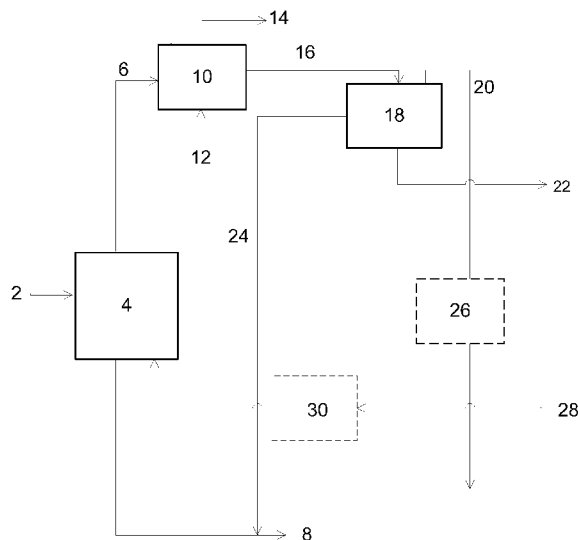


FIG. 1

(57) Abstract: A process useful for treating biologically derived oils in the production of biofuels is described. A biologically derived oil feed is deoxygenated by contacting the feed with a metal titanate catalyst. The process does not require the addition of hydrogen.



WO 2012/030443 A3



SM, TR), OAPI (BF, BJ, CF, CG, CI, CM, GA, GN, GQ, GW, ML, MR, NE, SN, TD, TG). **Published:**

Declarations under Rule 4.17:

- *as to applicant's entitlement to apply for and be granted a patent (Rule 4.17(ii))*
- *as to the applicant's entitlement to claim the priority of the earlier application (Rule 4.17(iii))*

- *with international search report (Art. 21(3))*
- *before the expiration of the time limit for amending the claims and to be republished in the event of receipt of amendments (Rule 48.2(h))*

(88) Date of publication of the international search report:
18 May 2012

INTERNATIONAL SEARCH REPORT

International application No.
PCT/US2011/044722**A. CLASSIFICATION OF SUBJECT MATTER***C10G 31/00(2006.01)i, C10G 3/00(2006.01)i, C10L 1/02(2006.01)i, C07C 7/00(2006.01)i, B01J 21/06(2006.01)i*

According to International Patent Classification (IPC) or to both national classification and IPC

B. FIELDS SEARCHED

Minimum documentation searched (classification system followed by classification symbols)

C10G, C10L, B01J, C07C

Documentation searched other than minimum documentation to the extent that such documents are included in the fields searched

Electronic data base consulted during the international search (name of data base and, where practicable, search terms used)

eKOMPASS(KIPO internal) & Keywords: (deoxygenat*, decarboxy*, decarbony*), fatty acid, (catalyst, titanate, metal titanate)

C. DOCUMENTS CONSIDERED TO BE RELEVANT

Category*	Citation of document, with indication, where appropriate, of the relevant passages	Relevant to claim No.
A	US 2007-0282119 A1 (MATSON et al.) 06 December 2007 See abstract; [0008]; claims	1-15
A	US 2004-0087809 A1 (NAKAYAMA et al.) 06 May 2004 See abstract; [0026]	1-15
A	US 03928533 A (BEALL et al.) 23 December 1975 See abstract; claims	1-15
A	US 2007-0010682 A1 (MYLLYOJA et al.) 11 January 2007 See [0031]	1-15
A	WO 2010-043765 A1 (NESTE OIL) 22 April 2010 See abstract; claims	1-15
A	US 2009-0041646 A1 (IKEDA et al.) 12 February 2009 See abstract; claims	1-15
A	US 04655906 A (BJORNSEN et al.) 07 April 1987 See column 2, line 37 to 57; abstract	1-15

 Further documents are listed in the continuation of Box C. See patent family annex.

* Special categories of cited documents:

"A" document defining the general state of the art which is not considered to be of particular relevance

"E" earlier application or patent but published on or after the international filing date

"L" document which may throw doubts on priority claim(s) or which is cited to establish the publication date of citation or other special reason (as specified)

"O" document referring to an oral disclosure, use, exhibition or other means

"P" document published prior to the international filing date but later than the priority date claimed

"T" later document published after the international filing date or priority date and not in conflict with the application but cited to understand the principle or theory underlying the invention

"X" document of particular relevance; the claimed invention cannot be considered novel or cannot be considered to involve an inventive step when the document is taken alone

"Y" document of particular relevance; the claimed invention cannot be considered to involve an inventive step when the document is combined with one or more other such documents, such combination being obvious to a person skilled in the art

"&" document member of the same patent family

Date of the actual completion of the international search

26 MARCH 2012 (26.03.2012)

Date of mailing of the international search report

27 MARCH 2012 (27.03.2012)

Name and mailing address of the ISA/KR

Korean Intellectual Property Office
Government Complex-Daejeon, 189 Cheongsu-ro,
Seo-gu, Daejeon 302-701, Republic of Korea

Facsimile No. 82-42-472-7140

Authorized officer

BYUN, Sang Hyun

Telephone No. 82-42-481-5618



INTERNATIONAL SEARCH REPORT

Information on patent family members

International application No.

PCT/US2011/044722

Patent document cited in search report	Publication date	Patent family member(s)	Publication date
US 2007-0282119 A1	06.12.2007	CA 2652463 A1	06.12.2007
		CA 2652463 C	15.06.2010
		EP 2038379 A2	25.03.2009
		EP 2038379 A4	08.06.2011
		US 7563915 B2	21.07.2009
		WO 2007-140395 A2	06.12.2007
		WO 2007-140395 A3	24.01.2008
		US 2004-0087809 A1	06.05.2004
AT 481166 T	15.10.2010		
DE 60237592 D1	21.10.2010		
DE 60237727 D1	28.10.2010		
DK 1380637 T3	20.12.2010		
DK 1876164 T3	03.01.2011		
EP 1380637 A1	14.01.2004		
EP 1380637 A4	17.11.2004		
EP 1380637 B1	08.09.2010		
EP 1876164 A2	09.01.2008		
EP 1876164 A3	21.05.2008		
EP 1876164 B1	15.09.2010		
HK 1063061 A1	20.05.2011		
JP 03995429 B2	24.10.2007		
JP 2002-294277 A	09.10.2002		
JP 2002-308825 A	23.10.2002		
US 6960672 B2	01.11.2005		
WO 02-081607 A1	17.10.2002		
US 03928533 A	23.12.1975	None	
US 2007-0010682 A1	11.01.2007	None	
WO 2010-043765 A1	22.04.2010	CA 2740753 A1	22.04.2010
		EP 2177587 A1	21.04.2010
US 2009-0041646 A1	12.02.2009	CN 101142019 A0	12.03.2008
		EP 1859861 A1	28.11.2007
		JP W02006-100987 A1	28.09.2006
		KR 10-2007-0112786 A	27.11.2007
		WO 2006-100987 A1	28.09.2006
US 04655906 A	07.04.1987	US 04693991 A	15.09.1987