



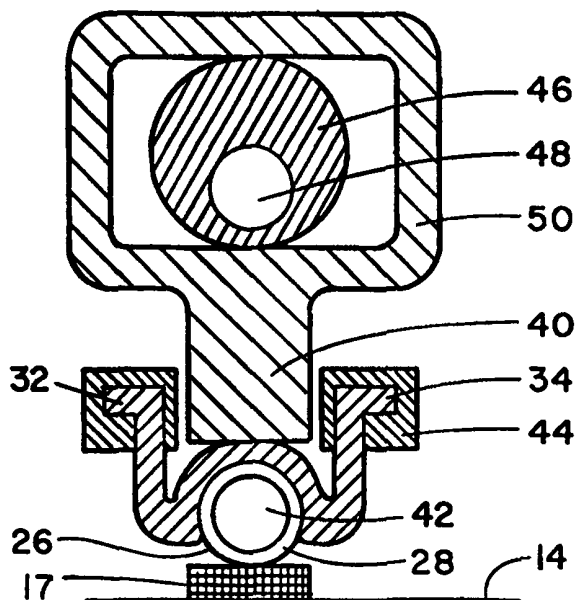
INTERNATIONAL APPLICATION PUBLISHED UNDER THE PATENT COOPERATION TREATY (PCT)

<p>(51) International Patent Classification ⁶ : F04B 43/08, 43/00</p>	A1	<p>(11) International Publication Number: WO 99/11932</p> <p>(43) International Publication Date: 11 March 1999 (11.03.99)</p>
<p>(21) International Application Number: PCT/US98/18055</p> <p>(22) International Filing Date: 31 August 1998 (31.08.98)</p> <p>(30) Priority Data: 9718686.0 4 September 1997 (04.09.97) GB</p> <p>(71) Applicant: BAXTER INTERNATIONAL INC. [US/US]; One Baxter Parkway, Deerfield, IL 60015 (US).</p> <p>(72) Inventor: DANBY, Hal, C.; Winthrop Hall, Chilton, Nr. Sudbury, Suffolk CO10 0PZ (GB).</p> <p>(74) Agents: KOWALIK, Francis, C. et al.; One Baxter Parkway, Deerfield, IL 60015 (US).</p>	<p>(81) Designated States: BR, CA, JP, KR, MX, European patent (AT, BE, CH, CY, DE, DK, ES, FI, FR, GB, GR, IE, IT, LU, MC, NL, PT, SE).</p> <p>Published <i>With international search report.</i></p>	

(54) Title: IMPROVED ACCURACY PERISTALTIC PUMP

(57) Abstract

A liquid delivery device which controls the flow of liquid from a liquid reservoir includes a resilient tubing having a wall with a substantially cylindrical cross section defining a flow lumen. The flow lumen is in fluid communication with the reservoir. A compression member selectively compresses a lengthwise segment of the cylindrical wall to collapse the flow lumen and releases the lengthwise segment to open the flow lumen. An elastomeric sleeve envelopes greater than half an outer diameter of the cylindrical cross section of the resilient tubing along at least a portion of the lengthwise segment of the cylindrical wall. The elastomeric sleeve biases the lengthwise segment of the resilient tube to restore it to its substantially cylindrical cross section when the compression member releases the lengthwise segment.



FOR THE PURPOSES OF INFORMATION ONLY

Codes used to identify States party to the PCT on the front pages of pamphlets publishing international applications under the PCT.

AL	Albania	ES	Spain	LS	Lesotho	SI	Slovenia
AM	Armenia	FI	Finland	LT	Lithuania	SK	Slovakia
AT	Austria	FR	France	LU	Luxembourg	SN	Senegal
AU	Australia	GA	Gabon	LV	Latvia	SZ	Swaziland
AZ	Azerbaijan	GB	United Kingdom	MC	Monaco	TD	Chad
BA	Bosnia and Herzegovina	GE	Georgia	MD	Republic of Moldova	TG	Togo
BB	Barbados	GH	Ghana	MG	Madagascar	TJ	Tajikistan
BE	Belgium	GN	Guinea	MK	The former Yugoslav Republic of Macedonia	TM	Turkmenistan
BF	Burkina Faso	GR	Greece			TR	Turkey
BG	Bulgaria	HU	Hungary	ML	Mali	TT	Trinidad and Tobago
BJ	Benin	IE	Ireland	MN	Mongolia	UA	Ukraine
BR	Brazil	IL	Israel	MR	Mauritania	UG	Uganda
BY	Belarus	IS	Iceland	MW	Malawi	US	United States of America
CA	Canada	IT	Italy	MX	Mexico	UZ	Uzbekistan
CF	Central African Republic	JP	Japan	NE	Niger	VN	Viet Nam
CG	Congo	KE	Kenya	NL	Netherlands	YU	Yugoslavia
CH	Switzerland	KG	Kyrgyzstan	NO	Norway	ZW	Zimbabwe
CI	Côte d'Ivoire	KP	Democratic People's Republic of Korea	NZ	New Zealand		
CM	Cameroon		Republic of Korea	PL	Poland		
CN	China	KR	Republic of Korea	PT	Portugal		
CU	Cuba	KZ	Kazakstan	RO	Romania		
CZ	Czech Republic	LC	Saint Lucia	RU	Russian Federation		
DE	Germany	LI	Liechtenstein	SD	Sudan		
DK	Denmark	LK	Sri Lanka	SE	Sweden		
EE	Estonia	LR	Liberia	SG	Singapore		

IMPROVED ACCURACY PERISTALTIC PUMP

BACKGROUND OF THE INVENTION

Technical Field

The present invention is directed toward liquid delivery devices for controlling the flow of liquid from a liquid reservoir, and more particularly toward an
5 improved accuracy peristaltic pump.

Background Art

Peristaltic pumps are particularly suited for use in accurately metering and infusing fluids such as medications into the bodies of hospital patients. Heminway, U.S.
10 Patent No. 4,893,991, discloses a linear type of peristaltic pump. Natwick, U.S. Patent No. 5,055,001, discloses a valve/plunger type of peristaltic pump. Galea, U.S. Patent No. 3,999,891, discloses a rotary type peristaltic pump. Each of these peristaltic pumps operate to propel liquid through a resilient tubing which is typically made from a flexible plastic material such as polyvinyl chloride or the like. The tubing is repeatedly compressed and
15 expanded along a defined section of the tubing. The tube is typically expanded or "re-bounded" by its internal resiliency. A known problem with this type of pump is that the portions of tubing which are intermittently compressed and expanded tend to fatigue with time. As a result, the tubing is less able to rebound to its original cross-section when released, decreasing the volume of the tubing along the critical pump segment and thereby
20 degrading pump accuracy. U.S. Patent No. 4,893,991 notes that such pumps have been found to exhibit as much as a 10% drop in flow rate in a 24 hour period.

The prior art has recognized this short coming in peristaltic pumps and has attempted at least three ways to solve the problem. First, Heminway, U.S. Patent No. 4,893,991, attempts to improve pump accuracy by preventing the portion of resilient tubing
25 which is subject to compression and expansion from assuming a cylindrical configuration upon expansion. That is, the plungers which compress and expand the tubing are designed to maintain the segment of tubing in an oval cross-section even at full expansion. A principal problem with the solution set forth in Heminway is that it requires very accurate tolerances with the plungers in the retracted position so that the tubing expands to a
30 consistent oval cross-section in order for the pump to operate at accurate rates and volumes.

In addition, because the tubing is not able to assume its full circular cross-section, and therefore its greatest volume, Heminway unduly restricts the rate liquid can be pumped.

Natwick, U.S. Patent No. 5,055,001, proposes an even more complicated solution to improving accuracy in peristaltic pumps. Natwick proposes that the range of
5 diametric compression of the tubing be from about 15% with the plunger retracted to about 85% with the plunger extended. Natwick argues that since the tubing need never recover to a fully uncompressed condition, changes in the elasticity of the flexible tubing due to continued use and repeated compression have much less effect on the volumetric capacity of the pump. In addition, because the plunger never fully compresses the pumping portion
10 of the tubing, the tubing is subjected to less fatigue. Natwick further teaches providing mechanical tubing shapers disposed on each side of the plunger which are extended to reform the pumping portion of the tubing as the plunger is retracted and the tubing refills with fluid. Natwick suffers from the same shortfall of Heminway in that it restricts the volume of the tubing used for pumping and therefore limits pump output rates. In addition,
15 the tubing shapers are complex mechanical structures which create an additional avenue for potential pump failure. Moreover, the mechanical shapers taught in Natwick require a number of potentially costly parts and complicate the assembly of the pump.

Mannes, U.S. Patent No. 4,585,442, discloses an intravenous infusion rate controller which operates on a resilient tubing which rests in a trough between a pair of
20 resilient bands. The resilient bands act on opposing sides of the outer diameter of the tubing in a compressed state to aid in restoring the tube to its original cross-section upon expansion. In this manner the resilient bands inhibit the tendency of the tube to "flatten out" and rebound to only an oval cross-section which degrades the accuracy of the rate controller. Unfortunately, the resilient bands act on only two discrete points in attempting
25 to restore the tubing to its original shape. Moreover, the space between the resilient bands must be maintained at rather precise tolerances to avoid the resilient bands compressing the tubing into an oval cross-section if the bands are too close or failing to restore the tube to its circular cross-section if the bands are too far apart.

The present invention is directed toward overcoming one or more of the
30 problems discussed above.

SUMMARY OF THE INVENTION

A first aspect of the invention is a liquid delivery device which controls the flow of liquid from a liquid reservoir. The liquid delivery device includes a resilient tubing having a wall with a substantially cylindrical cross-section defining a flow lumen. The flow lumen is in fluid communication with the reservoir. A compression member selectively compresses a lengthwise segment of the cylindrical wall to collapse the flow lumen and releases the lengthwise segment to open the flow lumen. An elastomeric sleeve envelopes greater than half an outer diameter of the cylindrical cross-section of the resilient tubing along at least a portion of the lengthwise segment of the cylindrical wall. The elastomeric sleeve biases the lengthwise segment of the resilient tube to restore it to its substantially cylindrical cross-section when the compression member releases the lengthwise segment.

The elastomeric sleeve, in a relaxed state, has an inner diameter less than an outer diameter of the resilient tubing. The elastomeric sleeve further has a lengthwise substantially linear opening along less than half the cross-section of the sleeve so that a portion of the resilient tubing can be received lengthwise within the elastomeric sleeve with more than half the diameter of the tubing cross-section enveloped by the sleeve. As the lengthwise segment of the resilient tube is collapsed, the opening of the elastomeric sleeve expands to release the lengthwise segment of the tube. The liquid delivery device preferably further includes an integral handle along the length of the elastomeric sleeve and a clamp for grasping the handle to fix the position of the elastomeric sleeve relative to the compression member.

A second aspect of the invention is a peristaltic pump for delivering a flow of liquid from a reservoir through elongate resilient tubing. The resilient tubing has a wall with a substantially cylindrical cross-section defining a flow lumen. The flow lumen is in fluid communication with the reservoir. The peristaltic pump comprises an elongate elastomeric sleeve which, in a relaxed state, has an inner diameter less than an outer diameter resilient tubing. The elastomeric sleeve has a lengthwise substantially linear opening along less than half of the cross-section of the sleeve so that a portion of the resilient tubing can be received lengthwise within the elastomeric sleeve with more than half the diameter of the tubing cross-section enveloped by the sleeve. A plurality of spaced reciprocating plungers are arranged substantially linearly along the elastomeric sleeve. The reciprocating plungers extend and retract relative to the elastomeric sleeve. An anvil is disposed opposite each of the plurality of plungers, adjacent the opening of the elastomeric

sleeve and spaced from the plungers so that, with the resilient tubing received in the elastomeric sleeve, the reciprocating plungers collapse the flow lumen against the anvil with the plungers extended and do not collapse the flow lumen with the plungers retracted. As the plungers are retracted so as to no longer collapse the flow lumen, the elastomeric sleeve
5 biases the resilient tubing received therein to its substantially cylindrical cross-section. As the segment of the resilient tubing is collapsed, the opening of the elastomeric sleeve expands to release the resilient tubing and the resilient tubing is in direct contact with the anvil. The elastomeric sleeve preferably includes an integral handle along its length and the peristaltic pump preferably includes a clamp for grasping the handle to fix the position of
10 the elastomeric sleeve relative to the plungers. The resilient tube may be held in position relative to the plungers and anvil substantially solely by the elastomeric sleeve.

In a preferred embodiment, the elastomeric sleeve, in cross-section, is an extended semi-circle with a lengthwise handle extending along each end of the extended semi-circle and the peristaltic pump includes clamps for grasping the handles to fix the
15 position of the elastomeric sleeve relative to the plungers.

A third aspect of the present invention is an elastomeric sleeve for use in a liquid delivery device. The liquid delivery device controls the flow of liquid from a liquid reservoir through a resilient tubing by a compression member selectively compressing and releasing a lengthwise segment of the tubing to collapse and restore a lumen of the tubing.
20 The elastomeric sleeve consists of an elongate side wall which, in a relaxed state, has an inner diameter slightly less than an outer diameter of the resilient tubing and a lengthwise substantially linear opening of a width less than half the cross section of the side wall. A lengthwise handle extends from the side wall. The side wall and the handle are integrally formed of a single piece of elastomer.

The elastomeric sleeve of the present invention subjects the majority of the wall of resilient tubing to a uniform compression which serves to bias and restore the tubing to its substantially its circular cross-section. In this manner, the segment of tubing subject to compression and expansion pumps liquid at a constant rate over extended periods of time. In addition, the sleeve helps secure the tubing in a desired position relative to the
30 compression member or plunger and anvil to ease loading of the tubing into the pumping device and to help secure the tubing during pumping. The elongate opening in the sleeve expands during compression of the tubing segment so that the tubing directly connects the anvil, which causes compression of the tubing between the rigid anvil and the plunger. This

decreases the amount of energy necessary to collapse the lumen (as opposed to having to compress the entire elastomeric sleeve between the plunger and anvil), thereby improving pumping efficiency. Furthermore, the sleeve is readily manufactured out of inexpensive materials and is easy to instal.

5

Brief Description of the Drawings

Fig. 1 is a perspective view of a peristaltic pump housing including an elastomeric sleeve in accordance with the present invention;

Fig. 2 is a cross-sectional view taken along line 2-2 of Fig. 1 with the pump
10 housing door shut and a plunger in a retracted position;

Fig. 3 is the same as Fig. 2 only the plunger is shown in an extended position;

Fig. 4 is a cross-sectional view taken along line 4-4 of Fig. 1 showing the elastomeric sleeve and resilient tubing operatively associated with the linear peristaltic
15 pump apparatus;

Fig. 5 is an alternate embodiment of Fig. 4 showing a valve/plunger of a peristaltic pump replacing the linear peristaltic pump of Fig. 4 and with an alternate embodiment of the elastomeric sleeve;

Fig. 6 is a cross-sectional view taken along line 6-6 of Fig. 5; and

20 Fig. 7 is a cross-sectional view taken along line 7-7 of Fig. 5.

Detailed Description of the Preferred Embodiment

An improved accuracy peristaltic pump 10 is shown in perspective view in Fig. 1. Most of the features not important to the understanding of this invention such as
25 controls, latch mechanisms and the like have been omitted for the sake of clarity. The improved accuracy peristaltic pump 10 includes a housing base 12 and a housing door 14 joined by a hinge 16. An anvil 17 is attached to an inner surface of the housing door 14 and runs lengthwise of the door 14. The door 14 further includes a pair of annular slots 18, 20
30 in its top and bottom side walls. While the specific embodiment disclosed herein is of a peristaltic type pump, the elastomeric sleeve can also provide its many advantages in other flow control devices such as the intravenous infusion rate controller disclosed in Mannes, U.S. Patent No. 4,585,442, the disclosure of which is hereby incorporated by reference.

An elastomeric sleeve 22 is attached to a partition 24 within the housing base 12 and runs the length of the housing base 12. The elastomeric sleeve 22 is positioned relative to the anvil 17 so that with the door 14 closed, the surface of the anvil 17 aligns with an elongate opening 26 of the elastomeric sleeve 22. As seen in Figs. 1 and 2, the elastomeric sleeve 22 consists of a substantially cylindrical side wall 30 with the lengthwise opening 26 removed from the side wall. A pair of handles 32, 34 extend lengthwise along the elastomeric sleeve 22 and project tangentially from adjacent the lengthwise slot 26. Referring to Fig. 2, the elastomeric sleeve in cross-section is an extended semi-circle with each handle 32, 34 extending tangentially along each end of the semi-circle. The elastomeric sleeve 22, including the handles 32, 34 is integrally formed of a single piece of a suitable resilient, deformable elastomer, such as rubber, preferably a room temperature vulcanizing (RTV) silicone.

The elastomeric sleeve 22 is dimensioned so that the inner diameter of the cylindrical side wall is slightly smaller than the outer diameter of the resilient tubing 28. In addition, the width of the elongate slot 26 is less than one half the cross-section of the elastomeric sleeve 22. In this manner, as the resilient tubing 28 is installed as illustrated in Fig. 1, the resilient tubing 28 is held in place. As best shown in Fig. 2, the elastomeric sleeve 22 biases the resilient tubing 28 to restore it to a substantially circular cross-sectional shape wherein the flow lumen 42 is unrestricted and the plunger 40 is restricted. Referring to Fig. 2 and as shown with regard to the handle 34 in Fig. 1, the handles 32, 34 are secured by elongate clamps 44.

As seen in Fig. 2, the plunger 40 is actuated by a cam 46 mounted eccentrically to a drive shaft 48, the cam residing in a collar 50 attached to the plunger 40. In Fig. 2 the plunger is in a retracted position. The plunger 40 is illustrated in its fully extended position in Fig. 3. Here the plunger 40 is shown having fully collapsed the lumen 42 of the resilient tubing 28. In addition, the plunger 40 causes the elongate slot 26 to expand and release the tubing 28. In this manner, the tubing 28 is compressed directly against the anvil 17 as it is disengaged from the elastomeric sleeve 22.

In Fig. 4 the door 14 is closed and the resilient tubing 28 and the sleeve 22 are in an operative position relative to the anvil 17 and plungers 40. The plungers 40 are sequentially extended and retracted relative to the tubing 28 and elastomeric sleeve 22 to propel fluid through the lumen 42 as indicated by the arrow 52. The operation of a linear peristaltic pump as illustrated Fig. 4 is described in detail in Heminway, U.S. Patent No.

4,893,991, the disclosure of which is incorporated herein by reference. The plunger mechanism illustrated in Fig. 4 differs from that illustrated in Figs. 2 and 3 in that instead of having eccentric cams 54 mounted within a collar 50 to direct the plunger between its extended and retracted position, springs 56 bias the plungers toward a retracted position and the eccentric cams 54 extend the plungers 40 as they rotate around the drive shaft 42.

Fig. 5 illustrates another embodiment of the elastomeric sleeve 22 used in conjunction with a valve/plunger type peristaltic pump. The elastomeric sleeve 22' does not include the elongate handles 32, 34, but is in all other manners identical to the elastomeric sleeve 22 described above with regard to Figs. 1-4. In this embodiment the resilient tubing 28 resides within the elastomeric sleeve 22' and is held in place by a length of the elastomeric sleeve 22' which is not subjected to compression, as illustrated in Fig. 6. When subject to compression, just as described above with regard to Fig. 3, the elastomeric sleeve 22' disengages the resilient tubing 28 so it may be compressed directly against the anvil 17'. Because of the absence of the lengthwise handles 32, 34, the sleeve 22' must be secured to the housing in some other manner. For example, the ends of the sleeve may be fastened to the housing. Also, although not illustrated in Fig. 5, the elastomeric sleeve 22' need not extend continuously between the plunger 56 and the valves 58. The elastomeric sleeve need only extend along a portion of the tubing subject to compression a distance sufficient to restore the portion of tubing back to the substantially cylindrical cross-section.

The improved accuracy peristaltic pump features an elastomeric sleeve which envelopes greater than half of the outer diameter of a resilient tubing to bias the tubing to a substantially cylindrical cross-section in a relaxed state. By providing substantially uniform compression about the periphery of the resilient tubing, the resilient tubing is reliably repeatedly restored to the substantially cylindrical shape. Thus, the elastomeric sleeve insures the continued accuracy of a liquid delivery device such as a peristaltic pump that controls fluid flow by repeated compression and release of a resilient tubing. The elastomeric sleeve also secures the resilient tubing which both assists in retaining the resilient tubing in an operative position relative to the plunger and anvil and also provides a convenient way for insuring the tube is properly loaded in the pump housing prior to a fluid delivery operation. Because the sleeve releases the tubing during extension of the plunger, the tubing is compressed directly against the anvil 17, minimizing energy consumption by the pump. Moreover, these many advantages are provided by an

elastomeric sleeve that is inexpensively fabricated out of a variety of elastomers and installed in a pump for minimal cost.

CLAIMS

What is claimed is:

1. A liquid delivery device for controlling the flow of liquid from a liquid reservoir, the liquid delivery device comprising:
 - 5 a resilient tubing having a wall with a substantially cylindrical cross-section defining a flow lumen, the flow lumen being in fluid communication with the reservoir;
 - a compression member selectively compressing a lengthwise segment of the cylindrical wall to collapse the flow lumen and releasing the lengthwise segment to open the flow lumen; and
 - 10 an elastomeric sleeve enveloping greater than half an outer diameter of the cross-section of the resilient tubing along at least a portion of the lengthwise segment of the cylindrical wall, the elastomeric sleeve biasing the lengthwise segment of the resilient tube to its substantially cylindrical cross-section when the compression member releases the lengthwise segment.
- 15 2. The liquid delivery device of claim 1 wherein the elastomeric sleeve, in a relaxed state, has an inner diameter less than an outer diameter of the resilient tubing, the elastomeric sleeve further having a lengthwise substantially linear opening of a width along less than half the cross-section of the sleeve so that a portion of the resilient tubing
20 can be received lengthwise within the elastomeric sleeve with more than half the diameter of the tubing cross-section enveloped by the sleeve.
3. The liquid delivery device of claim 2 wherein the lengthwise opening is of a width sufficient that as the lengthwise segment of the resilient tubing is collapsed,
25 the lengthwise opening expands to release the lengthwise segment of the resilient tubing.
4. The liquid delivery device of claim 1 further comprising an integral handle along the length of the elastomeric sleeve and means for grasping the handle to fix the position of the elastomeric sleeve relative to the compression member.
- 30 5. A peristaltic pump for delivering a flow of liquid from a reservoir through an elongate resilient tubing having a wall with a substantially cylindrical cross-

section defining a flow lumen, the flow lumen being in fluid communication with the reservoir, the peristaltic pump comprising:

an elongate elastomeric sleeve which, in a relaxed state, has an inner diameter less than an outer diameter of the elongate resilient tubing, the elastomeric sleeve
5 having a lengthwise substantially linear opening of a width less than half the cross-section of the sleeve so that a portion of the resilient tubing can be received lengthwise within the elastomeric sleeve with more than half the diameter of the tubing cross-section enveloped by the sleeve;

a plurality of spaced reciprocating plungers arranged substantially linearly
10 along the elastomeric sleeve, the reciprocating plungers extending and retracting relative to the elastomeric sleeve;

an anvil disposed opposite each of the plurality of plungers, adjacent the linear opening of the elastomeric sleeve and spaced from the plungers so that, with the resilient tubing received in the elastomeric sleeve, the reciprocating plungers collapse the
15 flow lumen against the anvil with the plungers extended and do not collapse the flow lumen with the plungers retracted,

whereby as the plungers are retracted so as to no longer collapse the flow lumen, the elastomeric sleeve biases the resilient tubing received therein to its substantially cylindrical cross-section.
20

6. The peristaltic pump of claim 5 wherein the lengthwise opening is of a width sufficient that as the lengthwise segment of the resilient tubing is collapsed, the lengthwise opening expands to release the resilient tubing and the resilient tubing is in direct contact with the anvil.

25 7. The peristaltic pump of claim 5 further comprising an integral handle along the length of the elastomeric sleeve and means for grasping the handle to fix the position of the elastomeric sleeve relative to the plungers.

30 8. The peristaltic pump of claim 7 wherein the resilient tubing is held in position relative to the plungers and anvil substantially solely by the elastomeric sleeve.

9. The peristaltic pump of claim 5 wherein the elastomeric sleeve, in cross-section, is an extended semi-circle with a length-wise handle extending tangentially along each end of the extended semi-circle, the peristaltic pump further comprising means for grasping the handles to fix the position of the elastomeric sleeve relative to the
5 plungers.

10. An elastomeric sleeve for use in a liquid delivery device which controls the flow of liquid from a liquid reservoir through a resilient tubing by a compression member selectively compressing and releasing a lengthwise segment of the
10 tubing to collapse and restore a flow lumen of the tubing, the elastomeric sleeve comprising:

an elongate side wall which, in a relaxed state, has an inner diameter slightly less than an outer diameter of the resilient tubing and a lengthwise substantially linear opening of a width less than half the cross-section of the side wall; and
15 a lengthwise handle extending from the side wall.

11. The elastomeric sleeve of claim 10 wherein the side wall and the handle are integrally formed of a single piece of elastomer.

20 12. The elastomeric sleeve of claim 10 further comprising a pair of lengthwise handles each extending tangentially from the side wall along a side of the lengthwise opening.

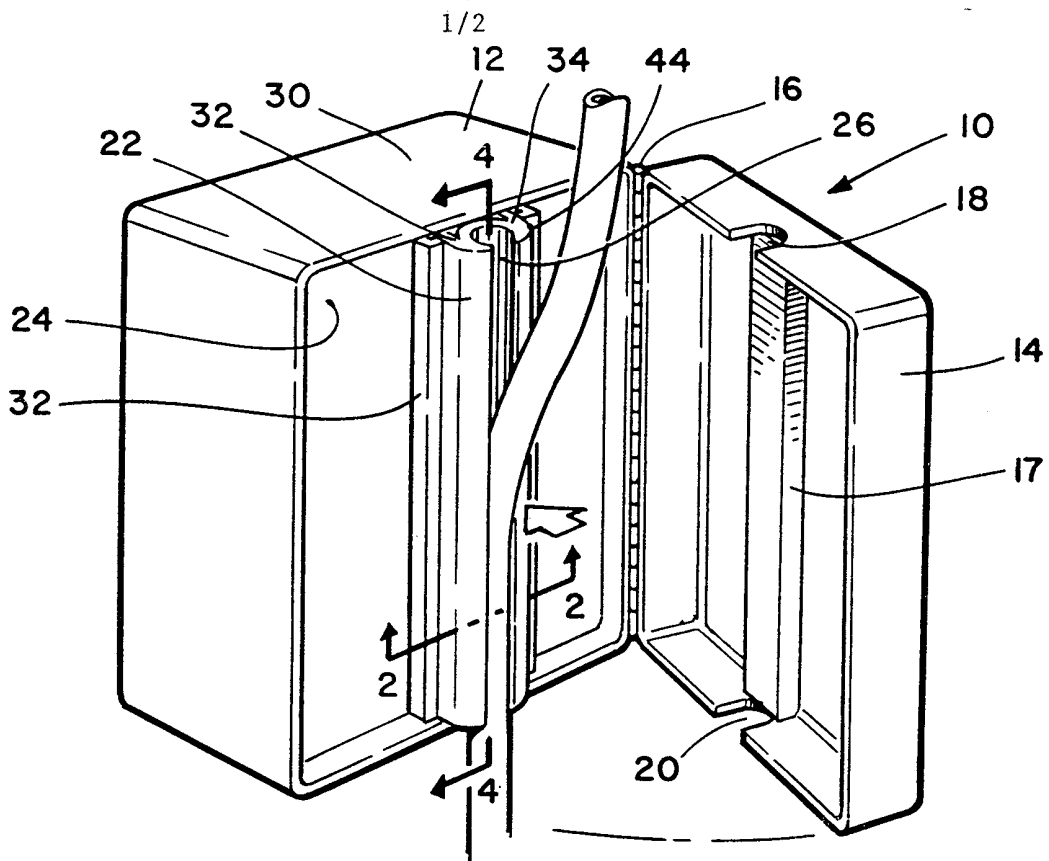


FIG. 1

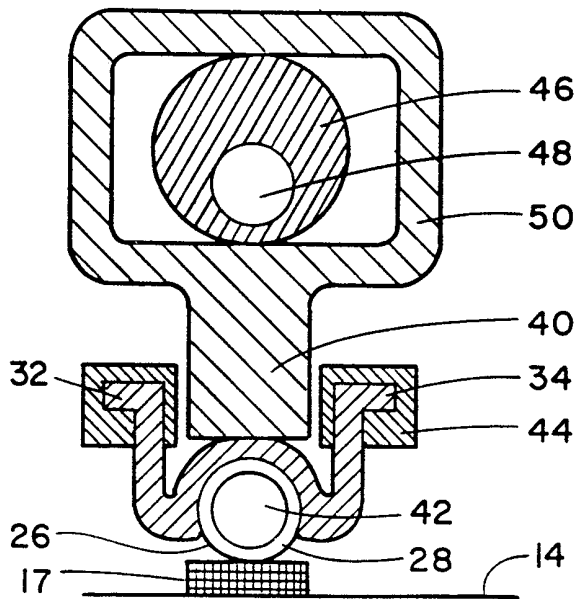


FIG. 2

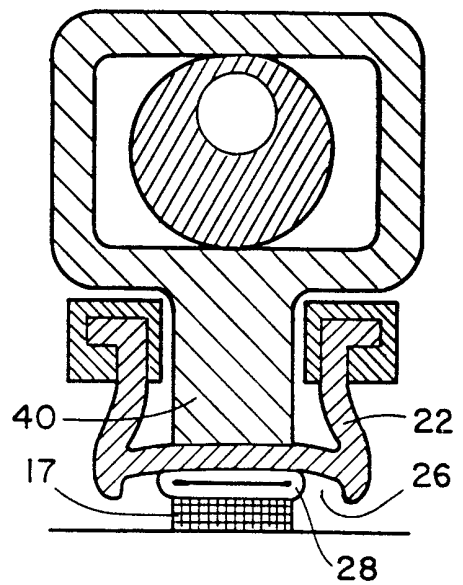


FIG. 3

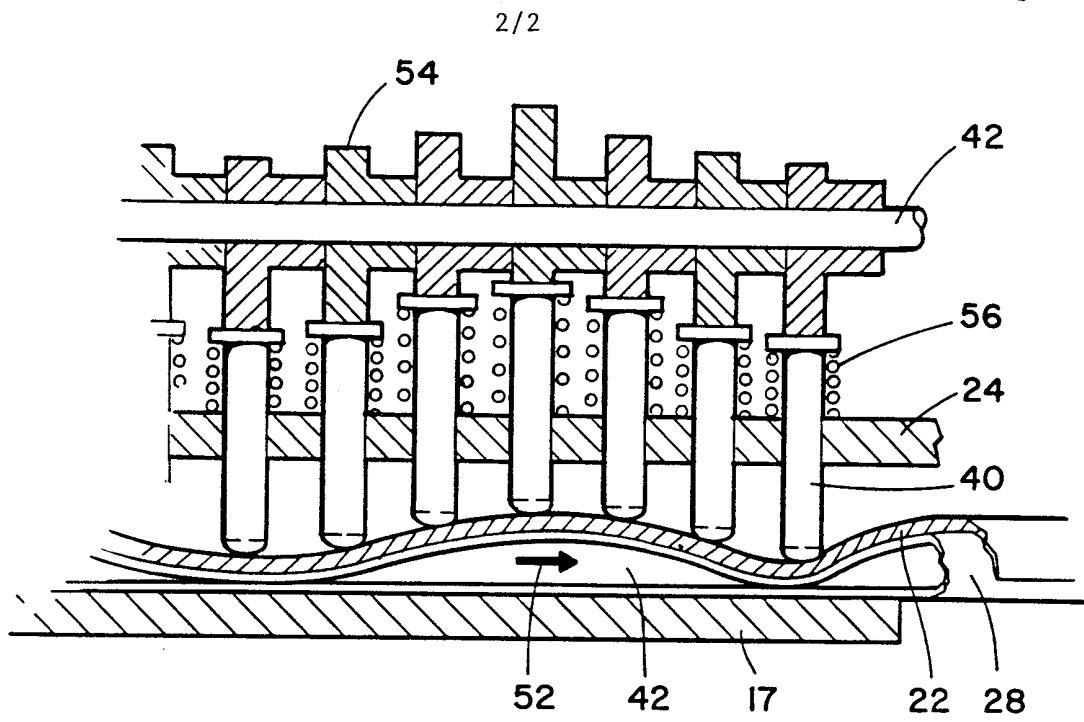


FIG. 4

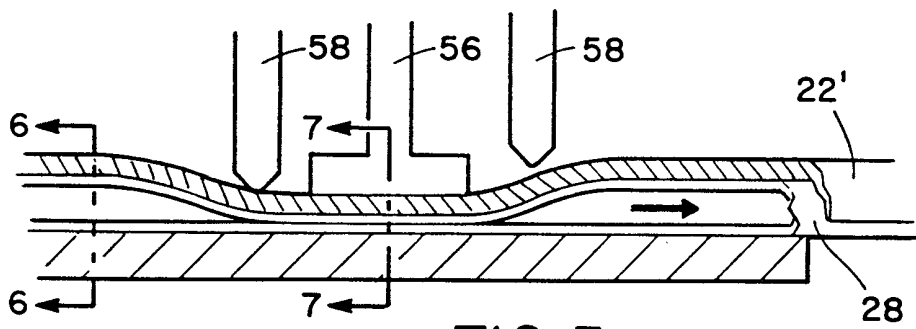


FIG. 5

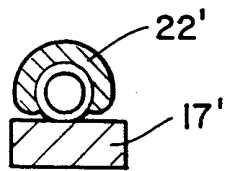


FIG. 6

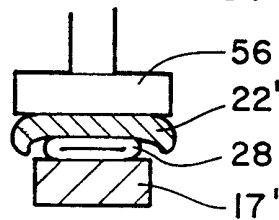


FIG. 7

INTERNATIONAL SEARCH REPORT

International Application No

PCT/US 98/18055

A. CLASSIFICATION OF SUBJECT MATTER
 IPC 6 F04B43/08 F04B43/00

According to International Patent Classification (IPC) or to both national classification and IPC

B. FIELDS SEARCHED

Minimum documentation searched (classification system followed by classification symbols)
 IPC 6 F04B

Documentation searched other than minimum documentation to the extent that such documents are included in the fields searched

Electronic data base consulted during the international search (name of data base and, where practical, search terms used)

C. DOCUMENTS CONSIDERED TO BE RELEVANT

Category °	Citation of document, with indication, where appropriate, of the relevant passages	Relevant to claim No.
A	US 4 585 442 A (MANNES ANDREW J) 29 April 1986 cited in the application see column 3, line 26 - line 47; figures 2-5	1,5,10
A	US 4 893 991 A (HEMINWAY JAMES F ET AL) 16 January 1990 cited in the application see column 3, line 4 - column 6, line 34; figures 1,2	1,5,10
A	EP 0 388 596 A (BRAUN MELSUNGEN AG) 26 September 1990 see column 4, line 36 - column 5, line 27; figures 1,2	1,5,10
	-/--	

Further documents are listed in the continuation of box C.

Patent family members are listed in annex.

° Special categories of cited documents :

- "A" document defining the general state of the art which is not considered to be of particular relevance
- "E" earlier document but published on or after the international filing date
- "L" document which may throw doubts on priority claim(s) or which is cited to establish the publication date of another citation or other special reason (as specified)
- "O" document referring to an oral disclosure, use, exhibition or other means
- "P" document published prior to the international filing date but later than the priority date claimed

- "T" later document published after the international filing date or priority date and not in conflict with the application but cited to understand the principle or theory underlying the invention
- "X" document of particular relevance; the claimed invention cannot be considered novel or cannot be considered to involve an inventive step when the document is taken alone
- "Y" document of particular relevance; the claimed invention cannot be considered to involve an inventive step when the document is combined with one or more other such documents, such combination being obvious to a person skilled in the art.
- "&" document member of the same patent family

Date of the actual completion of the international search

27 November 1998

Date of mailing of the international search report

07/12/1998

Name and mailing address of the ISA

European Patent Office, P.B. 5818 Patentlaan 2
 NL - 2280 HV Rijswijk
 Tel. (+31-70) 340-2040, Tx. 31 651 epo nl,
 Fax: (+31-70) 340-3016

Authorized officer

Bertrand, G

INTERNATIONAL SEARCH REPORT

International Application No

PCT/US 98/18055

C.(Continuation) DOCUMENTS CONSIDERED TO BE RELEVANT		
Category	Citation of document, with indication, where appropriate, of the relevant passages	Relevant to claim No.
A	US 4 671 792 A (BORSANYI ALEXANDER S) 9 June 1987 see column 2, line 66 - column 6, line 28; figures 1-4 -----	1,5,10

INTERNATIONAL SEARCH REPORT

Information on patent family members

International Application No

PCT/US 98/18055

Patent document cited in search report	Publication date	Patent family member(s)	Publication date
US 4585442 A	29-04-1986	NONE	
US 4893991 A	16-01-1990	NONE	
EP 0388596 A	26-09-1990	DE 3909657 A	27-09-1990
		DK 388596 T	04-10-1993
		JP 3015682 A	24-01-1991
		US 5088522 A	18-02-1992
US 4671792 A	09-06-1987	AU 6887887 A	20-08-1987
		EP 0239769 A	07-10-1987
		JP 62218675 A	26-09-1987