



US00D769581S

(12) **United States Design Patent** (10) **Patent No.:** **US D769,581 S**  
**Suhood** (45) **Date of Patent:** **\*\* Oct. 25, 2016**

(54) **ARTICLE OF CLOTHING**  
(71) Applicant: **Marielle Veronica Suhood, Mosman**  
(AU)

D302,208 S \* 7/1989 Hischke ..... D2/794  
D634,512 S \* 3/2011 Dolce ..... D2/828  
D747,073 S \* 1/2016 Medeiros ..... D2/720

(72) Inventor: **Marielle Veronica Suhood, Mosman**  
(AU)

(\*\*) Term: **15 Years**

(21) Appl. No.: **29/545,310**

(22) Filed: **Nov. 11, 2015**

(30) **Foreign Application Priority Data**

May 12, 2015 (AU) ..... 201512477

(51) **LOC (10) Cl.** ..... **02-02**

(52) **U.S. Cl.**  
USPC ..... **D2/834**

(58) **Field of Classification Search**  
USPC ..... D2/717-720, 724-727, 823-839, 858  
CPC ..... A41D 3/005; A41D 3/02; A41D 3/04;  
A41D 3/08; A41D 1/04; A41D 1/18  
See application file for complete search history.

(56) **References Cited**

**U.S. PATENT DOCUMENTS**

1,569,960 A \* 1/1926 Geisler ..... A41D 3/08  
2/88  
D83,787 S \* 3/1931 Boehle ..... D2/829  
D99,182 S \* 4/1936 Bernstein et al. .... D2/793  
D99,948 S \* 6/1936 Levi ..... D2/829  
D107,524 S \* 12/1937 Lefrak ..... D2/823  
D117,521 S \* 11/1939 Friedman ..... D2/719  
D142,326 S \* 8/1945 Kaufman ..... D2/829

**OTHER PUBLICATIONS**

Ladies Sleeveless Double Breasted Split Back Long Vest, posted at amazon.com, earliest date available Aug. 5, 2015, [online], acquired on May 22, 2016. Available from Internet, <URL: [http://www.amazon.com/Allegra-Ladies-Sleeveless-Double-Breasted/dp/B013FMZPEK/ref=cts\\_ap\\_4\\_fbt](http://www.amazon.com/Allegra-Ladies-Sleeveless-Double-Breasted/dp/B013FMZPEK/ref=cts_ap_4_fbt)>.\*  
Women's Baggy Sleeveless Turndown Collar Long Suit Vest, posted at amazon.com, earliest date available Aug. 12, 2013, [online], acquired on May 22, 2016. Available from Internet, <URL: <http://www.amazon.com/ELLAZHU-Womens-Sleeveless-Turn-down-Collar/dp/B00EHA6PWQ>>.\*

\* cited by examiner

*Primary Examiner* — Manpreet Matharu

*Assistant Examiner* — Aula Soroush

(74) *Attorney, Agent, or Firm* — Downs Rachlin Martin PLLC

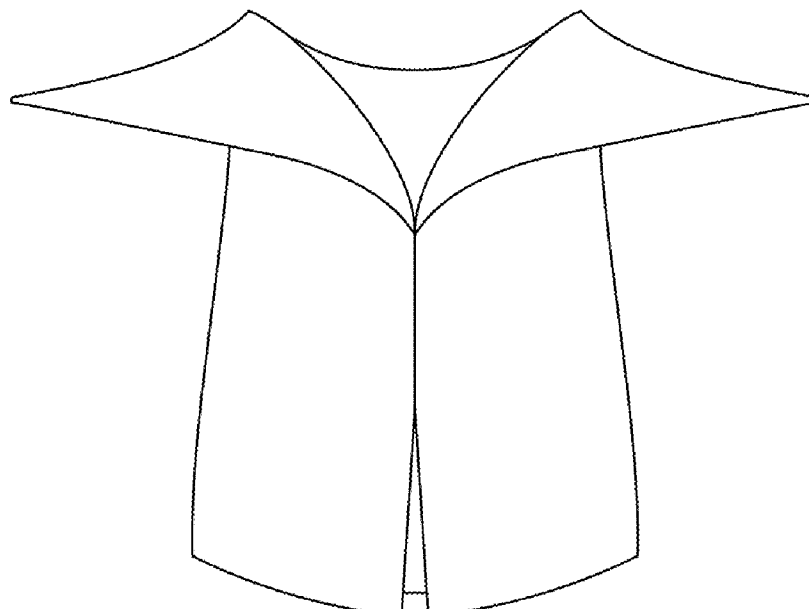
(57) **CLAIM**

The ornamental design for an article of clothing, as shown and described.

**DESCRIPTION**

FIG. 1 is a front perspective view of an article of clothing showing my new design;  
FIG. 2 is a front elevation view thereof;  
FIG. 3 is another front elevation view thereof, with the top portion of the article of clothing in a second position;  
FIG. 4 is a rear elevation view thereof; and,  
FIG. 5 is a side elevation view thereof, the opposite side being a mirror image hereto.

**1 Claim, 2 Drawing Sheets**



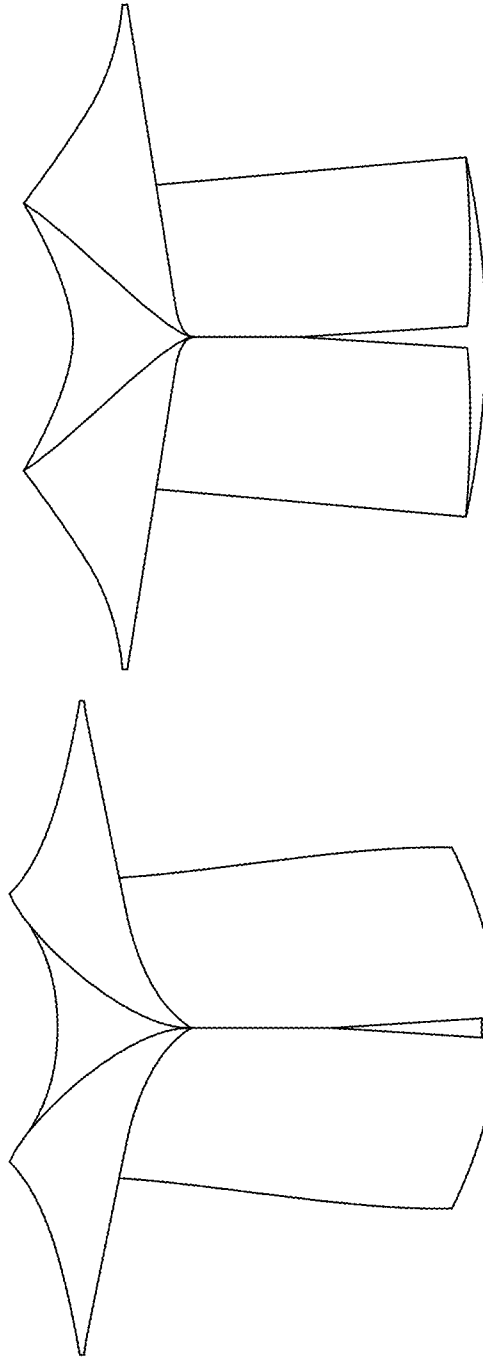


FIG. 2

FIG. 1

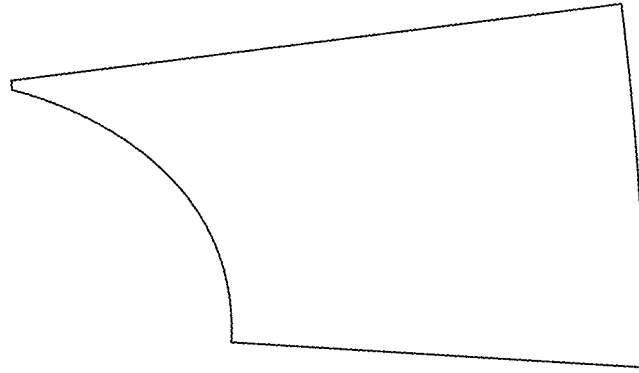


FIG. 5

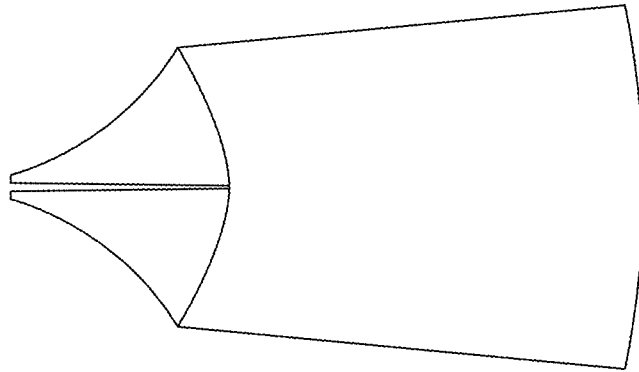


FIG. 4

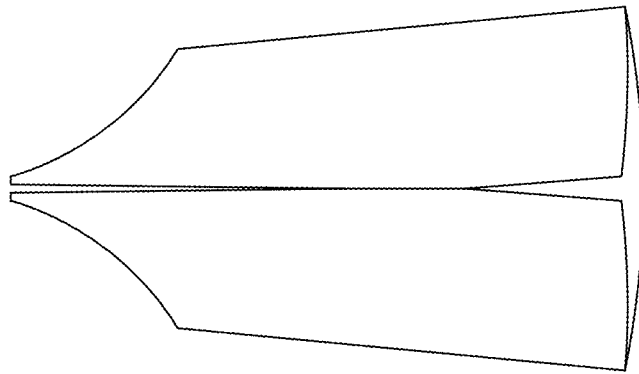


FIG. 3