



US0D1073370S

(12) **United States Design Patent**
Mao

(10) **Patent No.:** **US D1,073,370 S**

(45) **Date of Patent:** **** May 6, 2025**

(54) **CABINET**

(71) Applicant: **Graham Decor Inc.**, Denver, CO (US)

(72) Inventor: **Suding Mao**, Zhejiang (CN)

(**) Term: **15 Years**

(21) Appl. No.: **29/968,713**

(22) Filed: **Oct. 17, 2024**

(51) **LOC (15) Cl.** **06-04**

(52) **U.S. Cl.**
USPC **D6/661**

(58) **Field of Classification Search**

USPC D6/657, 661, 663, 666, 667, 671, 671.1,
D6/675
CPC A47B 43/00; A47B 45/00; A47B 55/00;
A47B 67/04; A47B 83/045; A47B 88/047
See application file for complete search history.

(56) **References Cited**

U.S. PATENT DOCUMENTS

D295,702 S *	5/1988	Huffstetler	D6/661
D686,437 S *	7/2013	Johnson	D6/661
D734,067 S *	7/2015	Vogt	D6/661
D734,068 S	7/2015	Dworman		
D798,086 S *	9/2017	Schmitt	D6/660
D909,799 S	2/2021	Nicoll		
D926,500 S	8/2021	Davis		
D934,596 S	11/2021	May		

(Continued)

FOREIGN PATENT DOCUMENTS

CN	306527053	*	5/2021
CN	307566576	*	9/2022
GB	8206063001-4000	*	11/2019

OTHER PUBLICATIONS

Glass Display Cabinet with LED Lighting, available Aug. 6, 2024 [online], [retrieved Mar. 1, 2025]. Retrieved from internet, https://

www.amazon.de/-en/Display-Lighting-Collectors-Multifunctional-Tempered/dp/B0DCBDDRYH (Year: 2024).*

(Continued)

Primary Examiner — Jae Liang

Assistant Examiner — Christopher Torma

(74) *Attorney, Agent, or Firm* — Hawaii Patent Services; Nathaniel K. Fedde; Kenton N. Fedde

(57) **CLAIM**

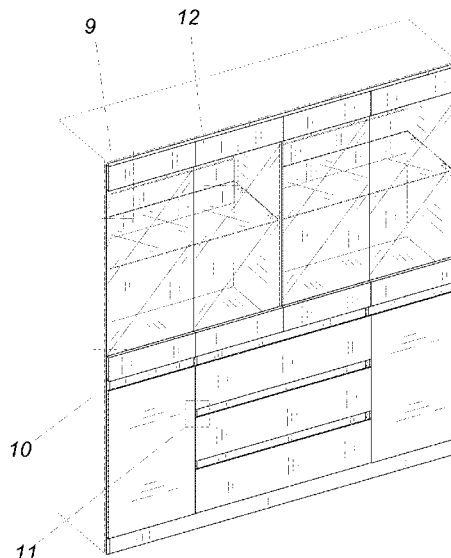
The ornamental design for a cabinet, as shown and described.

DESCRIPTION

FIG. 1 is a front, left, top perspective view of a cabinet, showing my new design;
FIG. 2 is a rear, right, bottom perspective view thereof;
FIG. 3 is a front elevational view thereof;
FIG. 4 is a rear elevational view thereof;
FIG. 5 is a left side view thereof;
FIG. 6 is a right side view thereof;
FIG. 7 is a top plan view thereof;
FIG. 8 is a bottom plan view thereof;
FIG. 9 is an enlarged view of detail 9 in FIG. 1;
FIG. 10 is an enlarged view of detail 10 in FIG. 1;
FIG. 11 is an enlarged view of detail 11 in FIG. 1;
FIG. 12 is an enlarged view of detail 12 in FIG. 1;
FIG. 13 is an enlarged view of detail 13 in FIG. 2;
FIG. 14 is an enlarged view of detail 14 in FIG. 2;
FIG. 15 is an enlarged view of detail 15 in FIG. 5; and,
FIG. 16 is an enlarged view of detail 16 in FIG. 8.
The dashed broken lines in the figures are for the purposes of illustrating portions of the cabinet and form no part of the claimed design.

The short-short-long dashed broken lines immediately adjacent to the claimed areas in the views represent the boundaries of the design and form no part of the claimed design. The dash-dot-dash broken lines are for notating enlarged views and form no part of the claimed design.

1 Claim, 13 Drawing Sheets



(56)

References Cited

U.S. PATENT DOCUMENTS

D953,779 S	6/2022	Chen	
D953,780 S	6/2022	Chen	
D958,569 S	7/2022	Davis	
D977,285 S	2/2023	Li	
D988,037 S	6/2023	Tong	
D999,574 S	* 9/2023	Tong D6/657

OTHER PUBLICATIONS

Dezagce Glass Display Cabinet with Lighting, available May 23, 2024 [online], [retrieved Mar. 1, 2025]. Retrieved from internet, <https://www.amazon.de/-/en/DEZAGCE-Display-Lighting-Collectors-Tempered/dp/B0D4YQTG3X> (Year: 2024).*

Mornioime Display Case With Light, posted date unavailable [online], [retrieved Mar. 1, 2025]. Retrieved from internet, <https://www>.

[wayfair.com/home/pdp/morinome-787-h-x-945-w-display-case-with-light-ishw3431.html](https://www.wayfair.com/home/pdp/morinome-787-h-x-945-w-display-case-with-light-ishw3431.html) (Year: 2025).*

Giddeon 78.7" Dining Cabinet, available Oct. 29, 2024 [online], [retrieved Mar. 1, 2025]. Retrieved from internet, <https://www.wayfair.com/furniture/pdp/latitude-run-giddeon-787-dining-cabinet-w110853592.html> (Year: 2024).*

Inventor-Originated Disclosure (See 130 Declaration): "Hitow 70.8" Tall Lighted Glass Door Cabinet with 3 Drawers, Large Bookshelf Bookcase Curio Display Cabinet with 3 Color LED Lights, Storage Cabinet Kitchen Pantry for Home Office Living Room" (amazon.com) Nov. 1, 2023 Obtained from the internet URL:<<https://www.amazon.com/dp/B0CM9N7H6Y>>. Downloaded on Oct. 17, 2024.

Inventor-Originated Disclosure (See 130 Declaration): "Alyeska 70.9" Dining Cabinet" (wayfair.com) Nov. 3, 2023 Obtained from the internet URL:<<https://www.wayfair.com/china-cabinets/pdp/ivy-bronx-alyeska-709-dining-cabinet-w100851143.html>>. Downloaded on Oct. 17, 2024.

* cited by examiner

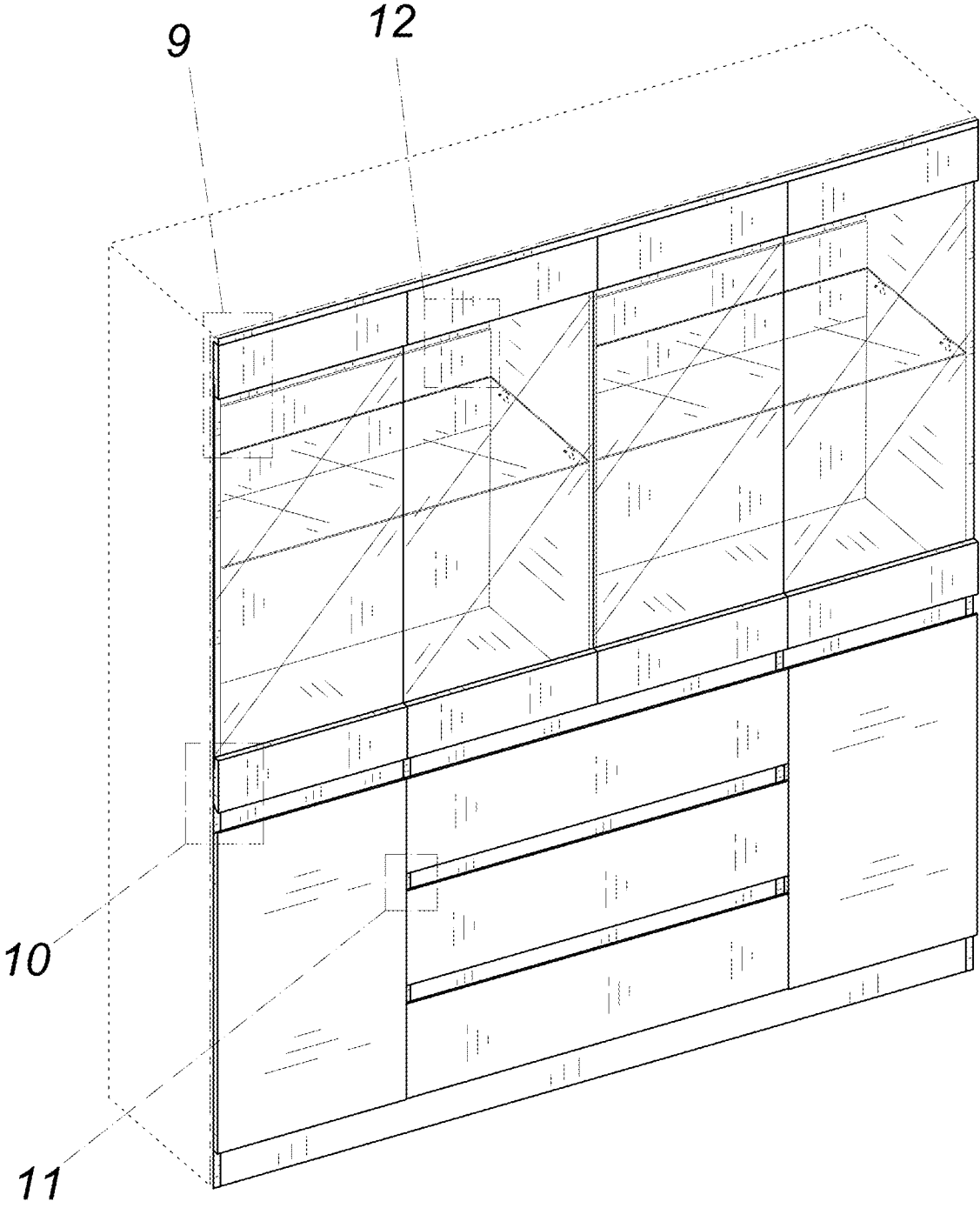


FIG. 1

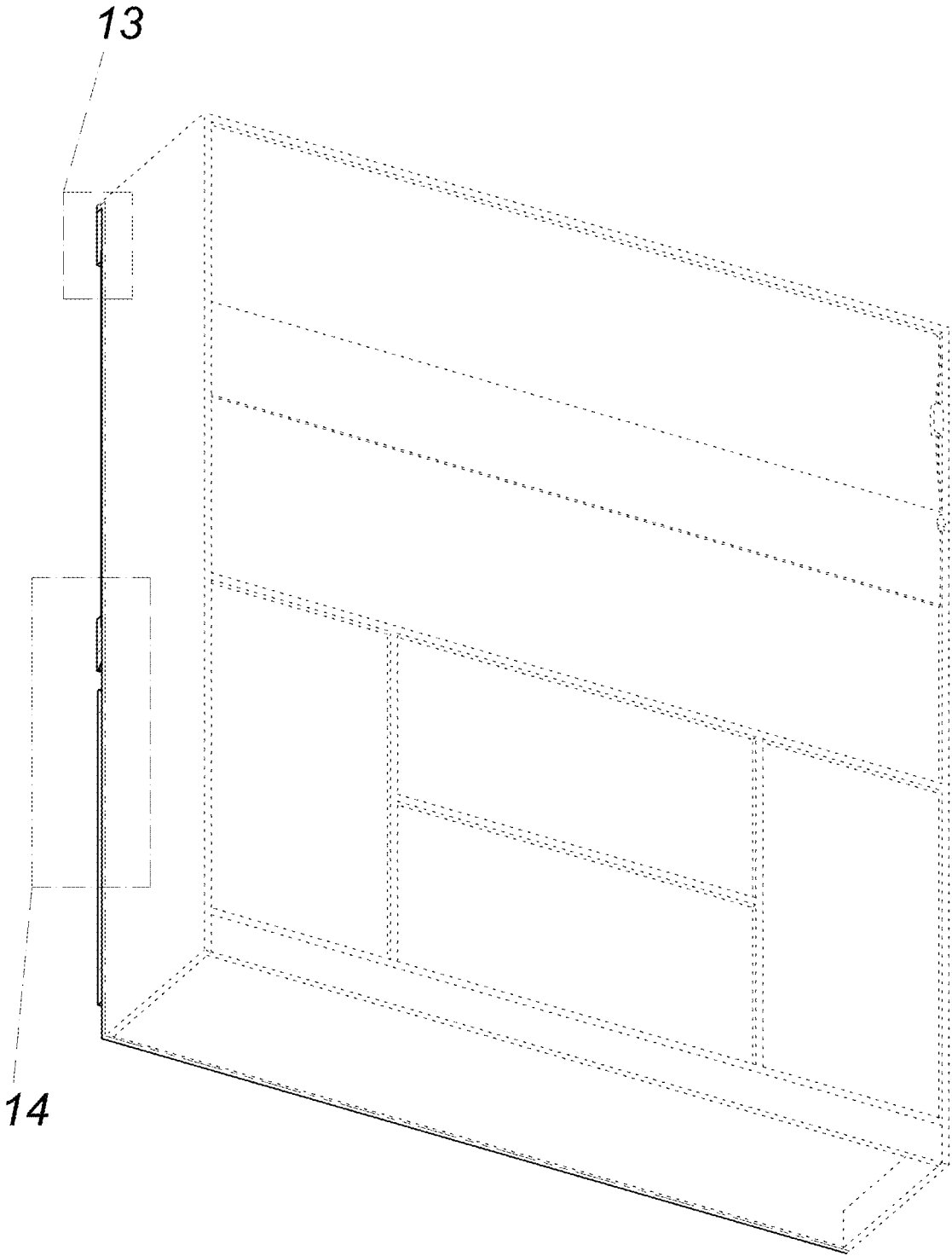


FIG.2

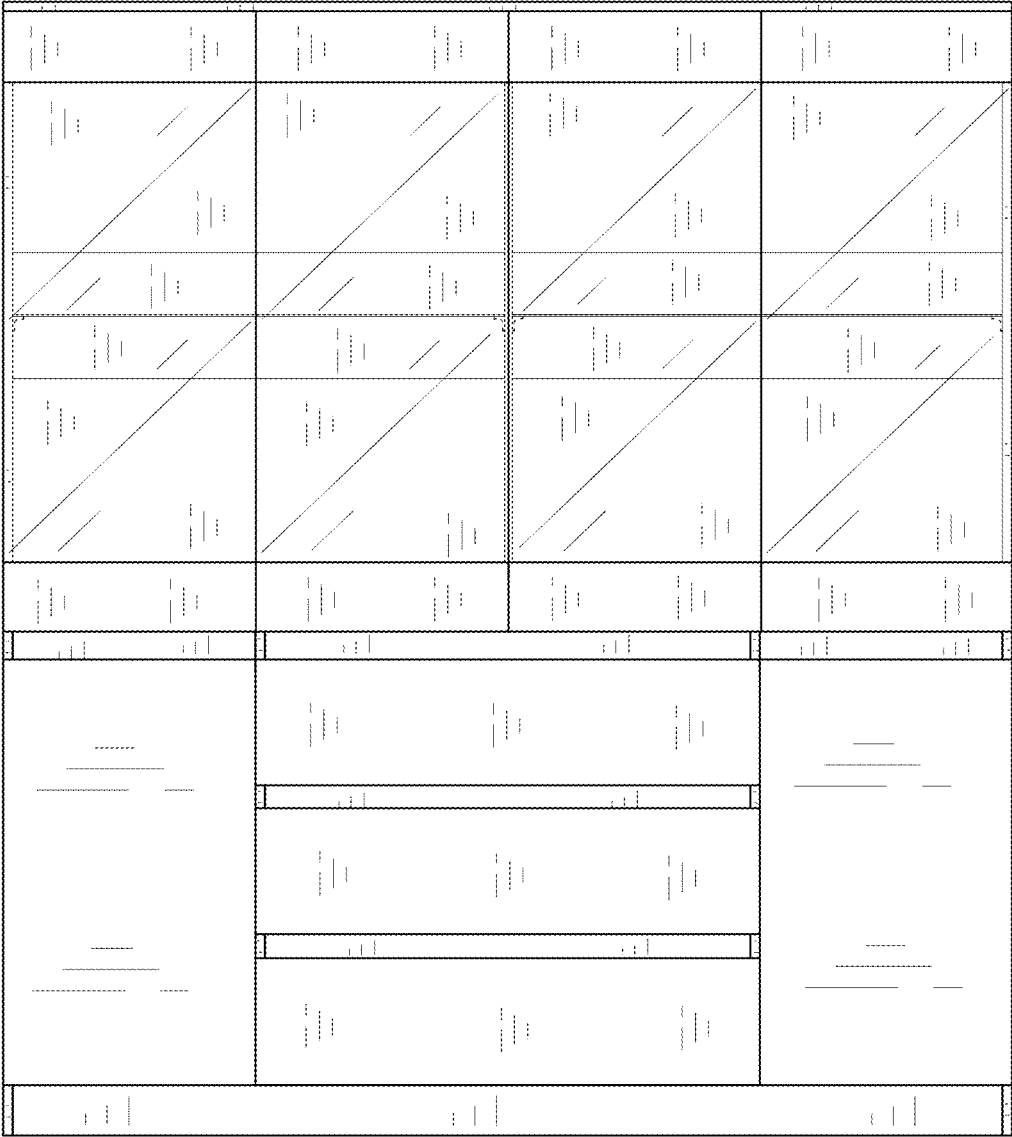


FIG.3

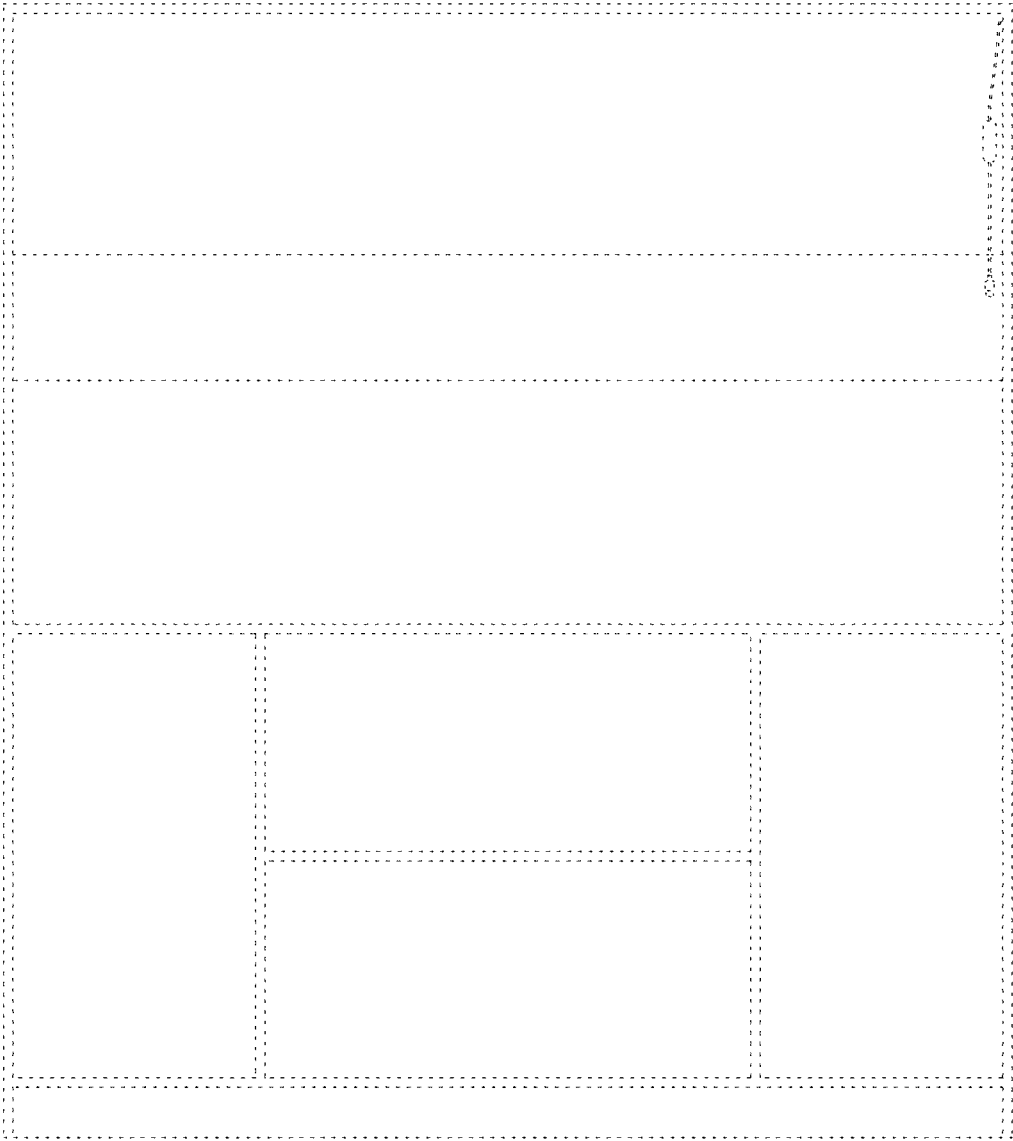


FIG. 4

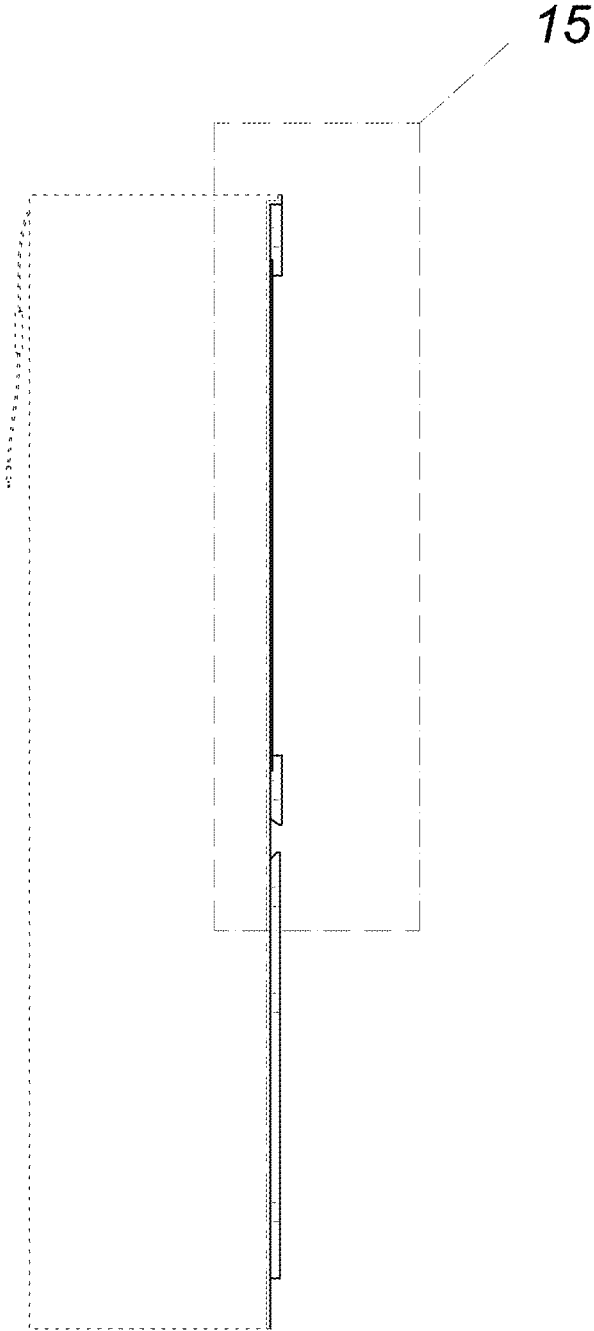


FIG.5

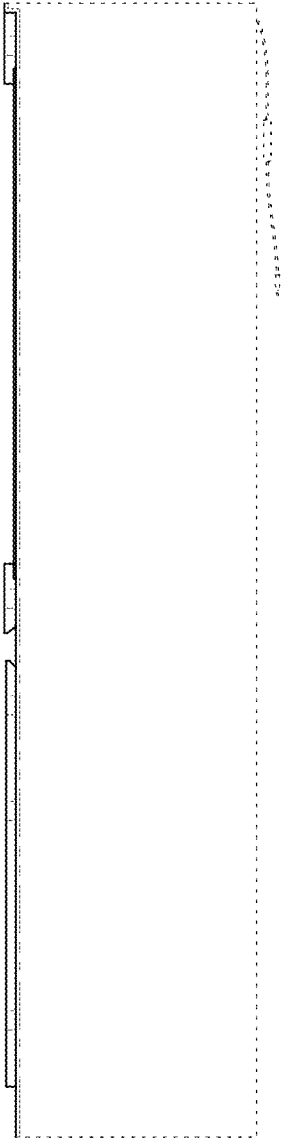


FIG.6



FIG. 7

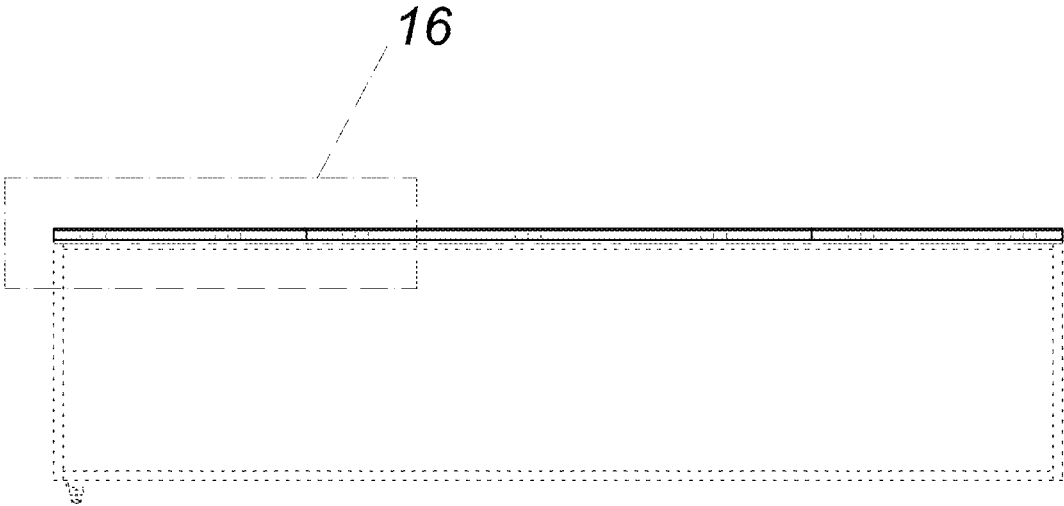


FIG. 8

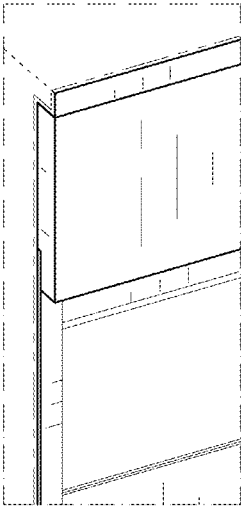


FIG. 9

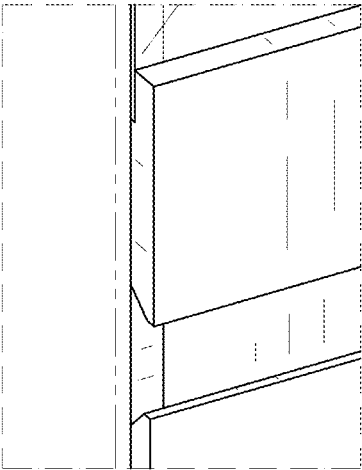


FIG. 10

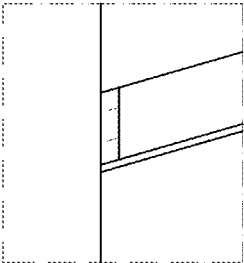


FIG. 11

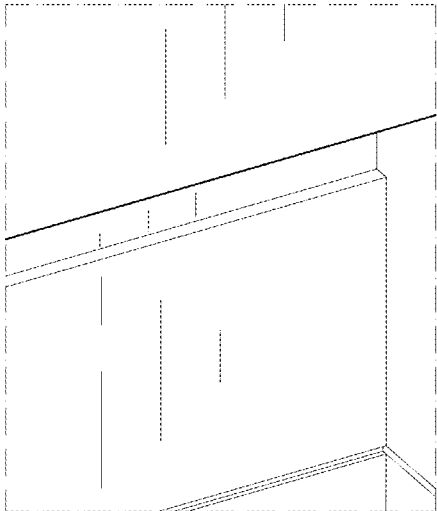


FIG. 12

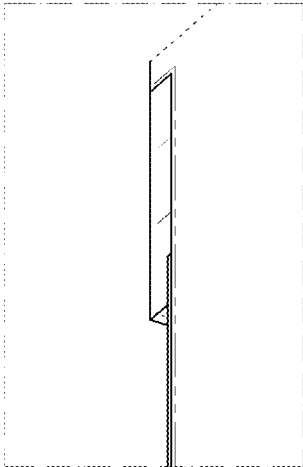


FIG. 13

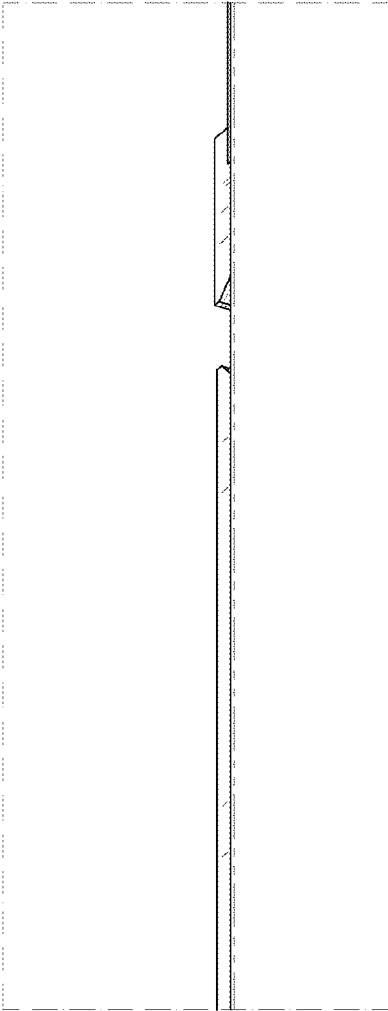


FIG. 14

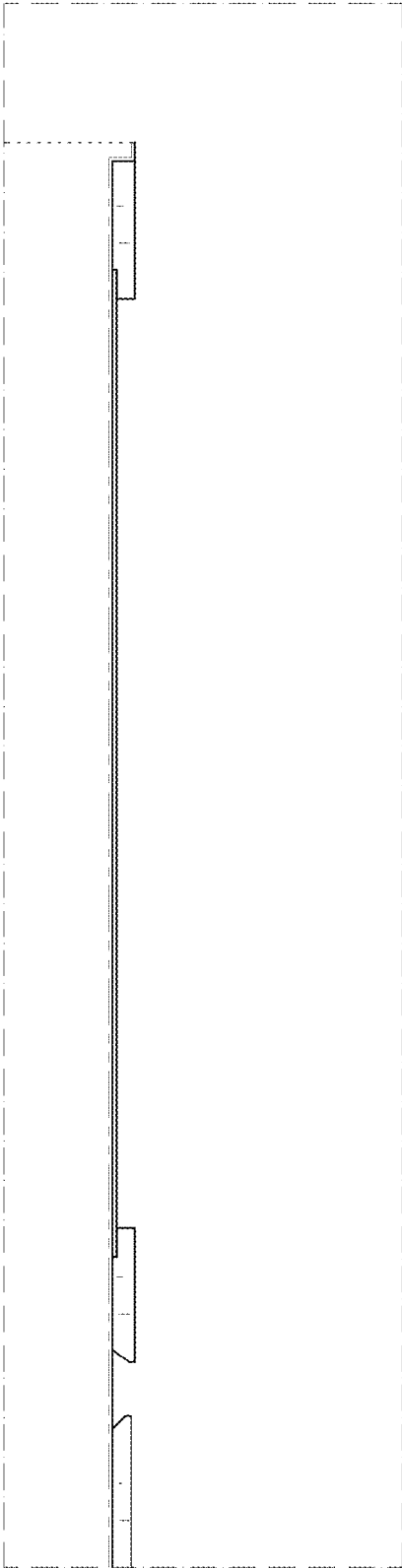


FIG. 15

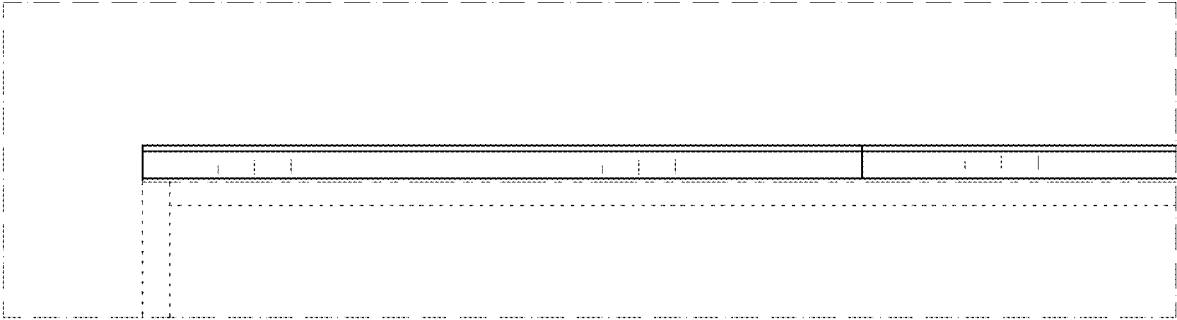


FIG. 16