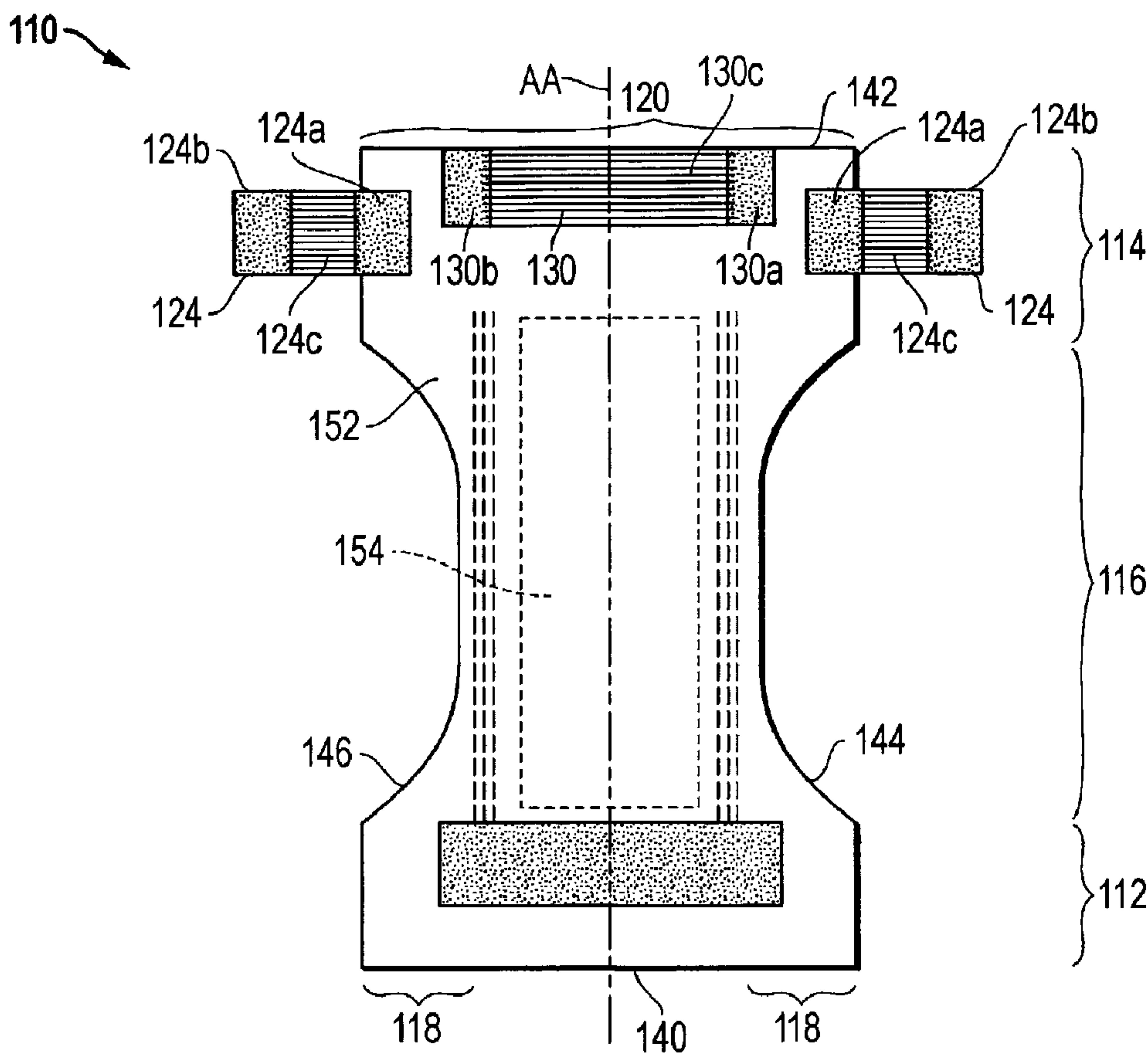




(86) Date de dépôt PCT/PCT Filing Date: 2004/04/26
 (87) Date publication PCT/PCT Publication Date: 2005/07/07
 (45) Date de délivrance/Issue Date: 2010/02/09
 (85) Entrée phase nationale/National Entry: 2006/06/12
 (86) N° demande PCT/PCT Application No.: US 2004/012832
 (87) N° publication PCT/PCT Publication No.: 2005/060910
 (30) Priorité/Priority: 2003/12/11 (US10/733,649)

(51) Cl.Int./Int.Cl. *A61F 13/56* (2006.01),
A61F 13/49 (2006.01)
 (72) Inventeurs/Inventors:
CHANG, KUO-SHU EDWARD, US;
SMID, ANNE, NL;
TSANG, PATRICK KING YU, GB;
WRIGHT, ANDREW C., GB
 (73) Propriétaire/Owner:
DSG TECHNOLOGY HOLDINGS LTD, VG
 (74) Agent: BORDEN LADNER GERVAIS LLP

(54) Titre : COMPOSITE ELASTIQUE POUR UN VETEMENT ABSORBANT JETABLE
 (54) Title: AN ELASTIC COMPOSITE FOR A DISPOSABLE ABSORBENT GARMENT



(57) Abrégé/Abstract:

An elastic composite is provided in a disposable absorbent garment such as a diaper or training pants. The elastic composite has a base layer, a top layer, and an elastic construction disposed therebetween. The elastic construction includes a plurality of spaced

(57) **Abrégé(suite)/Abstract(continued):**

apart (e.g generally equally spaced apart) elastic elements (e.g strands or threads) that are aligned in a generally cross machine direction and in generally parallel relation. Further, the top and base layers define a first longitudinally extending side edge and a second longitudinally extending side edge between which, the elastic construction is disposed. The elastic composite further includes as elasticized region, wherein the elastic construction is disposed, a first non-elasticized region disposed between the first side edge and the elasticized region, and a second non-elasticized region disposed between the second side edge and the elasticized region.

(12) INTERNATIONAL APPLICATION PUBLISHED UNDER THE PATENT COOPERATION TREATY (PCT)

(19) World Intellectual Property
Organization
International Bureau



(43) International Publication Date
7 July 2005 (07.07.2005)

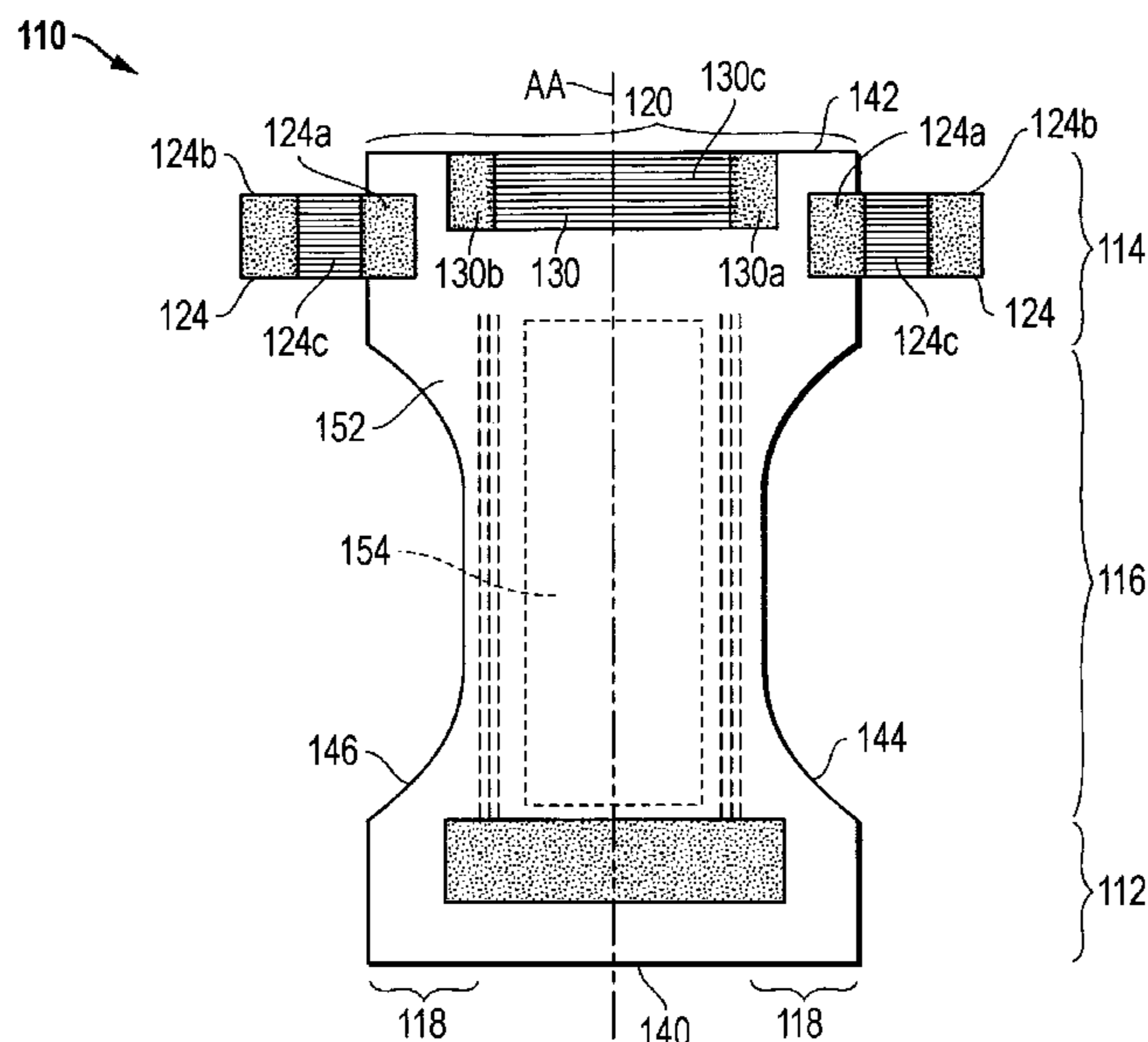
PCT

(10) International Publication Number
WO 2005/060910 A1

- (51) International Patent Classification⁷: **A61F 13/56**,
13/49 Derbyshire DE4 2QB (GB). **WRIGHT, Andrew, C.**
[GB/GB]; 26 Meadow View, Holmewood, Chesterfield,
Derbyshire S42 5UL (GB).
- (21) International Application Number:
PCT/US2004/012832
- (22) International Filing Date: 26 April 2004 (26.04.2004)
- (25) Filing Language: English
- (26) Publication Language: English
- (30) Priority Data:
10/733,649 11 December 2003 (11.12.2003) US
- (71) Applicant (for all designated States except US): **DSG
TECHNOLOGY HOLDINGS LTD**; Craigmuir Cham-
bers, P.O. Box 71, Road Town, Tortola (VG).
- (72) Inventors; and
- (75) Inventors/Applicants (for US only): **CHANG, Kuo-Shu,**
Edward [US/US]; 8114 Anzack Lane, Charlotte, NC
28269 (US). **SMID, Anne** [NL/NL]; Margrietstraat 21,
NL-847 1RC Wolvega (NL). **TSANG, Patrick, King,**
Yu [GB/GB]; The Chase, Greenaway Lane, Matlock,
- (74) Agent: **AMATONG, Alberto, Q., Jr**; The Morris Firm,
P.C., 10260 Westheimer, Suite 360, Houston, Tx 77042
(US).
- (81) Designated States (unless otherwise indicated, for every
kind of national protection available): AE, AG, AL, AM,
AT, AU, AZ, BA, BB, BG, BR, BW, BY, BZ, CA, CH, CN,
CO, CR, CU, CZ, DE, DK, DM, DZ, EC, EE, EG, ES, FI,
GB, GD, GE, GH, GM, HR, HU, ID, IL, IN, IS, JP, KE,
KG, KP, KR, KZ, LC, LK, LR, LS, LT, LU, LV, MA, MD,
MG, MK, MN, MW, MX, MZ, NA, NI, NO, NZ, OM, PG,
PH, PL, PT, RO, RU, SC, SD, SE, SG, SK, SL, SY, TJ, TM,
TN, TR, TT, TZ, UA, UG, US, UZ, VC, VN, YU, ZA, ZM,
ZW.
- (84) Designated States (unless otherwise indicated, for every
kind of regional protection available): ARIPO (BW, GH,
GM, KE, LS, MW, MZ, NA, SD, SL, SZ, TZ, UG, ZM,
ZW), Eurasian (AM, AZ, BY, KG, KZ, MD, RU, TJ, TM),
European (AT, BE, BG, CH, CY, CZ, DE, DK, EE, ES, FI,
FR, GB, GR, HU, IE, IT, LU, MC, NL, PL, PT, RO, SE, SI,

[Continued on next page]

(54) Title: AN ELASTIC COMPOSITE FOR A DISPOSABLE ABSORBENT GARMENT



(57) Abstract: An elastic composite is provided in a disposable absorbent garment such as a diaper or training pants. The elastic composite has a base layer, a top layer, and an elastic construction disposed therebetween. The elastic construction includes a plurality of spaced apart (e.g generally equally spaced apart) elastic elements (e.g strands or threads) that are aligned in a generally cross machine direction and in generally parallel relation. Further, the top and base layers define a first longitudinally extending side edge and a second longitudinally extending side edge between which, the elastic construction is disposed. The elastic composite further includes as elasticized region, wherein the elastic construction is disposed, a first non-elasticized region disposed between the first side edge and the elasticized region, and a second non-elasticized region disposed between the second side edge and the elasticized region.

WO 2005/060910 A1

WO 2005/060910 A1



SK, TR), OAPI (BF, BJ, CF, CG, CI, CM, GA, GN, GQ,
GW, ML, MR, NE, SN, TD, TG).

For two-letter codes and other abbreviations, refer to the "Guidance Notes on Codes and Abbreviations" appearing at the beginning of each regular issue of the PCT Gazette.

Published:

— *with international search report*

AN ELASTIC COMPOSITE FOR A DISPOSABLE ABSORBENT GARMENT**BACKGROUND OF THE INVENTION**

[0001] The present invention relates generally to disposable absorbent garments or articles such as baby diapers and training pants. More particularly, the present invention relates to an elastic component that can be employed in one or more areas of the garment.

[0002] Disposable absorbent garments contemplated by the invention include disposable diapers, disposable pull-on garments, and the like. These garments are worn about the lower torso or waist of the user so as to receive and contain urine and other bodily wastes. The benefits provided by the use of a disposable diaper on an infant are well known and its use has become widespread in the past several decades. Disposable pull-on garments include training pants, pull-on diapers, disposable underwear, and adult incontinence garments. It is generally expected that the user of any one of these garments will be able to put on and take off the garment on his/her own. As for training pants, these garments are used by young children to facilitate the child's transition from using diapers to wearing regular underpants (*i.e.*, during toilet training). Training pants (and other disposable pull-on pants) have closed sides such that the user or caregiver raises the garment about the user's legs to put it on and slips the garment downward about the user's legs to take it off.

[0003] The principal elements of a typical disposable absorbent garment include a liquid permeable inner layer (or topsheet), a liquid impermeable outer layer (or backsheet), and an absorbent core sandwiched between the inner and outer layers. Elastic members may be incorporated into different parts of the garment. For example, elastic members may be positioned longitudinally along a diaper, generally outboard of the absorbent core to effect a seal around the buttocks, legs, or both of the users. In addition, several elastic members (*e.g.*, in the form of elongated elastic threads or strands) may be positioned laterally throughout the waist regions (including the side waist regions) of a disposable absorbent garment. The resulting elasticsation allows the garment to stretch when it is put on and then during wear. In this way, the

garment can stretch to accommodate variations in waist size and leg size of the user, while fitting snugly about the waist and legs.

[0004] When elastic members are incorporated into a part or area of the garment, that part or area typically becomes a distinct, functional component of the garment. These elastic components include the side panels or ear portions, the waistband, and fastening tabs. The elastic components to which the present invention is directed is generally elongated, and may be a distinct portion of a larger, unitary piece, or a separate, attachable component. Furthermore, the elastic component typically contains one or more sections or layers in addition to the elastic members. In this regard, such an elastic component may be referred to as an elastic composite.

SUMMARY OF THE INVENTION

[0005] It is, therefore, one object of the invention to provide an improved disposable absorbent garment, such as a diaper or adult incontinence garment, and further, such a garment incorporating an improved elastic composite as one or more of its components.

[0006] For purposes of the present description, the term “elastic band” or “elastic composite” refers to a multi-layer construction of the disposable absorbent garment. In this construction, a plurality of elastic members, such as threads or strands, are disposed adjacent one or more layers, *e.g.*, backsheet and topsheet. In this way, the elastic members imparts elasticity to the adjacent layers and thus, to that part of the disposable absorbent garment. Such an elastic structure may be a distinct attachable component of the garment or may be a distinct portion or section of the garment body or a larger, unitary component of the garment body.

[0007] In one aspect of the invention, an elastic composite is provided in a disposable absorbent garment such as a diaper or training pants. The elastic composite has a base layer, a top layer, and an elastic construction disposed therebetween. The elastic construction includes a plurality of spaced apart (*e.g.* preferably generally equally spaced apart) elastic elements (*e.g.* strands or threads) that are aligned in generally parallel relation. Further, the top and base layers define a

first side edge, a second side edge, and a longitudinal centerline therebetween. The elastic construction is disposed between the two layers and extends in a direction that is between the side edges and is generally parallel with or corresponds to (*i.e.*, overlays) the longitudinal centerline. Further, the elastic elements are oriented along a lateral direction that intersects the side edges and longitudinal centerline (*e.g.*, such that each elastic element is oriented or aligned along a direction that is generally perpendicular to the side edges).

[0008] Preferably, the elastic composite includes at least one elasticized region, wherein the elastic construction is disposed, that is spaced inwardly from the side edges and, in some embodiments, positioned generally centrally between the side edges. Such an elastic composite also includes a first non-elasticized region disposed between the first side edge and the elasticized region, and a second non-elasticized region disposed between the second side edge and the elasticized region.

[0009] In certain embodiments, the first and second non-elasticized regions provide fastening regions that are generally flat relative to the elastic regions, and may be equipped with a fastening element such as adhesives or a hook or loop element. More preferably, the elastic elements are attached to at least one of the top and base layers such that the elasticized region is shirred when the elastic composite is disposed in a relaxed, un-stretched state. In further embodiments, a second elasticized region is provided between the side edges and a third elasticized region is provided between the first and second elasticized regions.

[0010] In preferred embodiments, the elastic construction has a centerline extending therethrough that is spaced generally equidistantly from each side edge and the elastic strands are distributed along this centerline and in generally perpendicular relation therewith. Preferably, the direction of this centerline corresponds with a machine direction of the elastic composite band or more specifically, the web material from which the elastic composite band is cut.

[0011] In yet another aspect of the invention, a disposable absorbent garment is provided with a topsheet, a backsheet, and an absorbent core disposed

between the topsheet and the backsheet and such that a longitudinal centerline of the garment extends through the topsheet, backsheet, and absorbent core. Together, the topsheet, backsheet, and absorbent core provide a central body of the disposable absorbent garment. The inventive garment further includes an elastic composite band that is attached to the central body. The elastic composite band has a first side edge, a second side edge, and a composite centerline extending in between the side edges. The elastic composite band includes a base layer, a top layer, and an elastic construction disposed between the top and base layers and spaced inwardly from each side edge. The elastic construction includes a plurality of spaced apart elastic elements that are distributed in a direction extending between the side edges and each aligned in generally perpendicular relation with the composite centerline.

[0012] Preferably, the elastic composite band includes an elasticized region that is positioned generally centrally between the first and second side edges, and wherein the elasticized region is disposed. The elastic composite also has a first non-elasticized region positioned between the first side edge and the elasticized region, and a second non-elasticized region positioned between the second side edge and the elasticized region. In some embodiments, the elastic composite band is attached adjacent an end of the garment leg (*e.g.*, along a waistline) and provides therealong an elastic waistband on the garment. In further embodiments, the garment has two elastic composite bands each attached along a side margin of the garment. In these embodiments, the elastic composite band provides an elastic waist fastening portion of the diaper, such as an elastic side panel or ear portion of the garment or elastic fastening tab. In one particular embodiment, the elastic composite is provided as the central chassis or central body of the garment.

BRIEF DESCRIPTION OF THE DRAWINGS

[00013] FIG. 1 is a plan view of a disposable absorbent garment in the unfolded configuration; according to the present invention;

[00014] FIG. 2A is a plan view of an elastic composite according to the present invention;

[0015] FIG. 2B is a plan view of the elastic composite of FIG. 2A shown in an extended, stretchable condition;

[0016] FIG. 3 is a perspective view of the elastic composite of FIG. 2A with a cut-out detail to show an elastic construction;

5 [0017] FIG. 4 is a plan view of an alternative disposable absorbent garment according to the invention;

[0018] FIG. 5 is a plan view of another alternative disposable absorbent garment, according to the invention, incorporating an elastic composite as a waistband;

10 [0019] FIG. 6 is a plan view of yet another alternative disposable absorbent garment, according to the invention, further incorporating an elastic composite as a central body chassis; and

[0020] FIG. 7 is a plan view of an alternative elastic composite according to the present invention; and

15 [0021] FIG. 8 is a perspective view of yet another alternative elastic composite according to the invention; and

[0022] FIGS. 9A-9C are plan view of a further alternative disposable absorbent garments, according to the invention.

DETAILED DESCRIPTION OF THE INVENTION

20 [0023] Each of FIGS. 1 and 4-9 depict a disposable absorbent garment embodying various aspects of the present invention. More particularly, each of these Figures depict such a garment that incorporates an elastic composite structure or elastic composite in accordance with the present invention. In FIG. 1, a disposable absorbent garment 110 is shown that is suitable for the invention and in the form of a
25 diaper having one or more elastic composites incorporated therein. The elastic composite in FIGS. 1-8 have side and end edges and, thus, may be referred to herein as elastic composite bands.

[0024] The disposable absorbent garment 110 in FIG. 1 is of a type that can be placed against or in proximity to the body of a wearer so as to absorb and to contain various bodily exudates. It should be noted, however, that the present invention is applicable to a variety of disposable absorbent articles and garments, including training pants and a variety of adult incontinence products. As will be described below, the inventive elastic composite or elastic composite band may provide a side panel or ear portion, a waistband, a fastening tab or band, or other distinct elastic component of the garment or article. The inventive elastic composite may also be incorporated into an ear portion to elasticate the ear portion or to supplement the ear portion with an elasticated fastening tab. Accordingly, the present invention is not intended to be limited to the structures and the processes specifically described and illustrated herein. For purposes of description, however, the following discussion will be directed to an exemplary disposable diaper only. Moreover, the invention will be described in the context of its various configurations and aspects. It should be appreciated that alternative arrangements of the inventive disposable absorbent garment and such an elastic composite band may comprise various combinations, which include one or more of the various configurations and aspects of the invention.

[0025] FIG. 1 is introduced to illustrate some basic features of a disposable diaper 110, most of which are also applicable to other disposable absorbent garments contemplated by the invention. The diaper 110 includes three main regions aligned along an imaginary longitudinal axis or plane AA. These regions include a first waist region 112 (typically at the front of the user when the garment 110 is worn), a back waist region 114, and a crotch region 116. The diaper 110 is also characterized by a front edge 140, a back longitudinal edge 142, a first lateral or side edge or side margin 144, and a second lateral or side edge or side margin 146.

[0026] Along a lateral direction, the diaper 110 includes ear regions or ear portions 118 extending laterally from the waist regions 112, 114. Together, the waist regions 112, 114 and crotch region 116 may be referred to as forming a central body portion 120 of the garment 110 that is positioned within side edges 144, 146. The body portion 120 may also be referred to as being formed by a liquid permeable

inner layer or topsheet 152, a liquid impermeable outer layer or backsheet (not shown), and an absorbent core 154 sandwiched between the two layers. The ear portions 118 further include fastening tabs 124 for attaching the waist regions 112, 114 together. The diaper 110 also has an elastic waistband 130 positioned generally
5 along the back edge 142 to facilitate fastening and to enhance the fit and seal of the diaper 110. When the hourglass shaped diaper 110 is worn, the crotch region 116 fits about the crotch of the wearer, and the front and back waist regions, 112 and 114, fit about the corresponding waist areas. The ear portions 118, on the other hand, wrap about the wearer and the fastening tabs 124 engage to form a complete, all-around
10 waistline of the diaper 110.

[0027] FIG. 2A depicts a typical elastic composite band 210 according to the invention. More particularly, the elastic composite band 210 is one particularly suited for use as a side panel or fastening tab of a disposable absorbent garment (*see, e.g.,* Fig. 1). FIG. 3 provides a perspective view and partial cut-out of the elastic
15 composite band 210. The elastic composite band 210 may be characterized by an imaginary centerline LL. In one aspect of the invention, the centerline LL preferably corresponds with the machine direction of the elastic composite band 210 during manufacture. The elastic band 210 also has side or longitudinally extending side edges 210a and 210b and laterally extending end edges 210c and 210d. In FIG. 1, the
20 elastic composite band 210 is shown in the stretched state as, for example, when a garment incorporating the elastic composite band 210 is worn. In this state, the elastic composite band 210 stretches, in the lateral or cross-machine direction (denoted by arrows XX).

[0028] As used herein, the term “machine” direction refers to the
25 direction at which the component, or more particularly, the material web from which the elastic composite is derived (*e.g.,* cut from) is driven in an assembly line during manufacturing. The term “cross-directional machine direction” or “cross-directional,” on the other hand, refers to the direction that is perpendicular to the machine direction. With reference to the elastic composite 20 of FIG. 2, the cross machine
30 direction is the direction XX extending laterally or perpendicularly relative to the longitudinal line LL.

[0029] The elastic composite band 210, according to the invention, has a central region 214 in which an elastic construction is situated. Extending laterally from this central elastic or elasticized region 214 are regions 216 and 218, which are substantially non-elasticized. As shown in FIG. 2A, the regions 216, 218 occupy the
5 expanse between the central elastic region 214 and the side edges 210a, 210b. Now with reference to FIG. 3, the elastic composite band 210 has a top layer 318 and a bottom or base layer 320. The two layers 318, 320 preferably extend the total width and length of the elastic composite band 210, thereby providing the side edges 210a, 210b, and the end edges 210c, 210d. Both the base layer 320 and the top layer 318
10 are preferably a non-woven, breathable, disposable material such as propylene, non-woven fabric, breathable polyethylene/polypropylene films, or non-porous films (or combinations of these materials). The base layer 320 and top layer 318 adhere to one another, thereby sandwiching and securing a plurality of elastic strands 322 therebetween.

[0030] The elastic strands 322 may be substituted, in alternative
15 embodiments, by suitable elastic elements such as elastic strands, threads, ribbons, and elastic glue beads. In one aspect of the invention, the elastic elements or strands 322 are distributed along a direction that extend between the side edges 210a, 210b and parallel with (or corresponding to) center line LL. Further, each elastic element
20 322 is generally aligned or oriented in a direction corresponding with the lateral or cross-machine direction, *i.e.*, in a direction generally perpendicular to the longitudinal center line LL and intersecting the side edges 210a, 210b. Preferably, the strands 322 are disposed in generally parallel relation and spaced apart generally equally along the longitudinal direction. More preferably, the elastic strands 322 are of generally equal
25 length. Accordingly, when the elastic composite band 210 is worn, the strands 322 impart elasticity into the structure which allows the band 210 to stretch in the lateral or cross-machine direction XX.

[0031] The elastic strands 322 are preferably tensioned during
30 securement between the top and base layers 318, 320. FIG. 2B illustrates the elastic composite band 210 in a laterally stretched condition. In this condition, the central elastic region 214 has a width that is almost equal to the non-elasticized zones 216

and 218. When returned to the non-laterally stretched or relaxed condition, as shown in FIG. 2A, the central elastic region 214 contracts and crimps to a substantially reduced width. In this condition or state, the contracted elastic strands 322 shirrs the elastic composite 210 and provide pleats 234 in the contracted elastic region 214.

5 **[0032]** The elastic composite band 210 may originate from a web of material that is wound onto spools or festooned. Typically, the user of such material will cut the material to a length required of a particular application. In some applications, one such web of material may provide the source of multiple components of the inventive disposable absorbent garment.

10 **[0033]** Returning to FIG. 1, the inventive disposable absorbent garment 110 employs one or more elastic composite bands according to the invention, as described above. The disposable absorbent garment 110 employs in each of the ear portions 118, a fastening tab 124 having the inventive elastic composite construction. As the fastening tab 124, the elastic composite band is configured such that one non-
15 elasticized region 124a is attached to and overlaps the central body 120 of the garment 110 while a second non-elasticized region 124b is situated outboard of the side margins 144, 146. An elasticized region 124c, as shown in FIG. 1, provides elasticity, and thus, stretch in the lateral or cross-machine direction (of the elastic composite). In respect to the rest of the garment 110, the elasticity or stretch provided by the
20 central elastic region 124c directed along a direction that is generally perpendicular to the longitudinal center line AA of the garment 110, and corresponds with a direction that wraps about the waistline of the user.

[0034] The disposable absorbent garment 110 in FIG. 1 also provides an elastic composite, according to the invention, as the waistband 130. The waistband
25 130 is situated centrally in the waist region 114. Further, the elastic composite waistband 130 is disposed such that non-elasticized regions 130a, 130b are positioned outwardly of the longitudinal line AA of the garment 110, while an elasticized region 130c is positioned centrally across the longitudinal center line AA. Moreover, the elasticized region 130c is configured such that the elastic strands are aligned or
30 oriented in a direction that is generally perpendicular to the longitudinal center line

AA. In this way, the elastic composite waistband 130 imparts elasticity about the waist region 114 of the garment 110, and in a direction corresponding with the direction of waistline about the user.

[0035] FIG. 4 depicts an alternative disposable absorbent garment 410 according to the invention. Specifically, FIG. 4 depicts a disposable absorbent garment 410 employing elastic composites according to the invention as attachable ear portions or side panels 414. The elastic composite side panels 414 are separate components that are attached to a central body 420 of the garment 410. The elastic composite side panels (or ear portions) 414 are attached near one waist edge 442 of the garment 410 and such that the centerline AA of the side panel 414 is generally parallel with the longitudinal centerline AA of the garment 410. Moreover, each of the elastic composite side panels 414 has a non-elasticized region 414a that is positioned outboard of the side margins 446 of the garment 410 and a second non-elasticized region 414b that is attached inboard of the side margin 446 (or side margin 444). Thus, a central elastic region 414c is situated outboard of the side margin 446 and not directly attached thereto. When the garment 410 is in use, the central elasticized region 414a allows the side panel to stretch in a lateral or cross-machine direction that corresponds with the lateral direction relative to the longitudinal centerline AA of the garment 410. Accordingly, when the garment 410 is worn, the elastic side panel 414 allows for stretching about the waistline of the user.

[0036] FIG. 5 depicts yet another alternative embodiment of a disposable absorbent garment 510 according to the invention. The disposable absorbent garment 510 is a diaper partially defined by end or waist edges 540, 542 (not shown) and side margins 544, 546. Further, the inventive disposable garment 510 has a central body 520 and a separate, attachable elastic waistband 530. Similar to the garments 110, 410 in FIGS. 1 and 4, respectively, the garment 510 employs an elastic composite, as the elastic waistband 530. The inventive elastic waistband 530 is attached adjacent a waist edge 542 of the garment 510 and is positioned centrally about the longitudinal centerline AA. The elastic composite waistband 530 is situated such that non-elasticized regions 530a, 530c extend laterally past the side margins 544, 546, respectively. The central elasticized region 530c is positioned centrally

within the central body 520 and side margins 544, 546. The elastic strands of the central elastic region 530c is further situated such that the elastic region 530c provides elasticity or stretch in a lateral direction relative to longitudinal centerline AA. Again, in this way, the elastic composite waistband 530 according to the invention allows for the garment to fit snugly and effectively about the waistline of the user.

[0037] FIG. 6 illustrates an alternative disposable absorbent garment 610, according to the invention (wherein like reference numerals are used to indicated like elements), in which the inventive elastic composite band is incorporated into various areas or as various garment components. The garment 610 has a front waist region 112, a back waist region 114, and a crotch region 116 positioned therebetween. As with the garment 410 of FIG. 4, an elasticized composite band 614 is attached to each side margin 144, 146, near end edge 140, as an elasticized side panel 614. A second pair of elastic composite bands is attached as an elasticized side panel 660 along the opposite end edge 42 of the garment 610.

[0038] FIG. 6 also illustrates the use of the inventive elastic composite band to provide an elasticized central body or chassis 680 at or beneath the crotch region 116 of the garment 610 and in support of an absorbent core (not shown so as to clearly display the chassis 680). The absorbent core is preferably adhered to and movable with the elasticized chassis 680. Thus, the core is preferably a conformable (changes shape in accordance with an outside force), elastic, or extensible (*e.g.*, pulled and permanently stretched) body, as is generally known in the art. In this way, the main or central body of the garment 610 is elasticized in a lateral direction XX that is generally perpendicular to a longitudinal centerline AA of the garment 610. In the garment 610 of FIG. 6, the inventive composite band provides the entire length of the central body or chassis 680. The elastic composite chassis 680 has an elasticized region 680c situated between two non-elasticized regions 680a, 680b. Preferably, the elasticized region 680c provides an elastic construction of a plurality of elastic strands as disclosed previously in respect to the embodiments of FIGS. 1-5. In the illustrated embodiment, the elasticized region 680c extends between end edges 140, 142, thereby imparting lateral elasticity (stretchability) across the entire garment length.

[0039] FIG. 7 depicts an alternative embodiment of an elastic composite band according to the present invention. The elastic composite band 710 illustrated therein differs from the previously described elastic composite band (see *e.g.* FIGS. 2 and 2a) in that the elastic composite band 710 includes two elasticized regions 714a and 714b. The elasticized region 714a, 714b are preferably equidistantly spaced apart on either side of the longitudinal centerline AA. The spacing of the elasticized regions 714a, 714b creates right and left non-elasticized or dead regions 716, 718, as well as central non-elasticized region 750. The elasticized regions 714a, 714b imparts elasticity to elastic composite band 710a in the lateral directions XX, and in the central non-elasticized region 750, also in the opposite lateral direction VV.

[0040] FIG. 8 depicts yet another embodiment of an elastic composite band 810 according to the invention. The inventive elastic composite band 810 has, as in previously described embodiments, a central elastic or elasticized region 814 and regions 816 and 818 that are substantially nonelasticized and extend laterally from the central elasticized region 814. The elasticized region 814 is again comprised of a plurality of elastic strands 322 that are disposed in generally parallel relation, and generally perpendicular with a longitudinal centerline LL of the elastic composite band 810 (and the elasticized region 814). The elastic composite band 810 also has end side edges 810a, 810b, and end edges 810c, 810d.

[0041] In yet another aspect of the invention, the elastic composite band 810 is further comprised of base layer 820 and top layer 824. As shown in FIG. 8, base and top layers 820, 824 sandwich the elastic strands 822 therebetween. In contrast to previously described embodiments, layers 820 and 824 are offset in respect to one another. Specifically, the two layers 820, 824 are not positioned squarely or evenly one atop another, but overlap. In this way, the elastic composite band 810 is made wider. In particular, by offsetting the two layers 820, 824, the nonelasticized regions 816, 818 are extended and may be referred to as having an outside section (*e.g.*, 818a) formed by one of the layers 820, 824 and an inside section (*e.g.*, 818b) having both a top and a bottom layer 820, 824. Preferably, the two layers 820, 824 are two plies of nonwoven material. The wider nonelasticized, nonwoven regions 816, 818 provide a working area on which fastening materials and other accessories or

structural attributes of the disposable absorbent garment may be situated. In various embodiments, the offset or overlap of the two layers 820, 824 may be varied so as to create nonelasticized regions 816, 818 of various widths. Moreover, a wider elastic composite band (and specifically, nonelasticized regions of the elastic composite band) is attained, without increasing the size of the nonwoven layers.

[0042] FIGS. 9A-9C are provided to illustrate further embodiments of the present invention. More specifically, FIGS. 9A-9C provide alternate designs, specifically alternate shapes, of the inventive elastic composite band. In these figures, like elements are referenced using like numerals.

10 [0043] Referring to FIGS. 9A and 9B, a disposable absorbent garment 910 is shown having a central body 920 and elastic composite bands in the form of ears or side panels 924. The ears 924 have inner and outer nonelasticized regions 924a, 924b, and a central elasticized region 924c situated therebetween. These two figures illustrate an elastic composite band according to the invention having
15 nonelasticized regions 924a and 924b that are different from one another and do not provide side edges of the elastic composite band 924 which are in generally parallel relation. In both designs, the side edge of the outer nonelasticized regions 924b are rounded or curved. The shape of the elastic composite bands 924 in these two figures provide, among other advantages, a more attractive product as perceived by the
20 consumer.

[0044] Now turning to FIG. 9c, yet another variation of the elastic composite band 924 is shown applied to a training pants 910. Specifically, the inventive elastic composite band 924 has nonelasticized regions 924a and 924b of different geometries. This design of the elastic composite bands 924 provide an
25 aesthetic as well as a functional advantage. The functional advantage comes in the form of an improved fit around the wearer's leg, particularly due to the shape of the elastic composite band 924.

[0045] The foregoing description of the present invention has been presented for purposes of illustration and description. It is to be noted that the

description is not intended to limit the invention to the various apparatus and processes disclosed herein. Various aspects of the invention as described above, may be applicable to other types of disposable absorbent articles and garments, and processes for making the same. For example, the elastic composite described above, 5 may be incorporated in other disposable absorbent garments such as training pants, etc. or in other areas or as other components of the garment. Such variations of the invention will become apparent to one skilled in the relevant consumer products art provided with the present disclosure. Consequently, variations and modifications commensurate with the above teachings, and the skill and knowledge of the relevant 10 art, are within the scope of the present invention. The embodiments described and illustrated herein are further intended to explain the best modes for practicing the invention, and to enable others skilled in the art to utilize the invention and other embodiments and with various modifications required by the particular applications or uses of the present invention.

CLAIMS:

1. A disposable absorbent garment, comprising:

- a topsheet;

- a backsheet;

- an absorbent core disposed between said topsheet and said backsheet, wherein a longitudinal center line extends through said topsheet, backsheet, and absorbent core, and wherein said topsheet and said backsheet define a front end edge and a back end edge through which said longitudinal centerline extends and a pair of side margins disposed on opposite sides of said core and extending between said end edges, wherein said topsheet, backsheet, and absorbent core, at least partly, form a central body; and

- a pair of waist fastening portions disposed on opposite sides of said longitudinal centerline and in proximity with one of said side margins and attached to said central body in proximity to said side margins, each said waist fastening portion having a first side edge, a second side edge, and a fastening portion centerline extending between said side edges that corresponds with a machine direction of said fastening portion, each said fastening portion including a base layer, a top layer, and an elastic construction disposed between said top and base layers and spaced inwardly from each said side edge, said elastic construction including a plurality of spaced apart and disconnected elastic elements distributed in a direction between said side edges and oriented along a lateral direction intersecting said fastening portion centerline wherein each fastening portion further includes,

 - an elasticized region positioned between said first and second side edges, said elastic construction being disposed in said elasticized region,

 - a first non-elasticized region positioned between said first side edge and said elasticized region, and

 - a second non-elasticized region positioned between said second side edge and said elasticized region, and

- wherein said elastic elements are spaced from said first side edge and from said central body and the first non-elasticized region is positioned between said elasticized region and said central body.

2. The disposable absorbent garment of claim 1, wherein said elasticized region is positioned generally centrally between said first and second side edges such that said fastening position centerline extends therethrough.

3. The disposable absorbent garment of claim 1, wherein said plurality of elastic elements are generally equally spaced apart from one another.
4. The disposable absorbent garment of claim 1, wherein said plurality of elastic elements are elastic strands disposed in mutual generally parallel relation.
5. The disposable absorbent garment of claim 1, wherein said elastic elements are adhered to at least one of said top and base layers such that said elasticized region is shirred when said elastic composite band is disposed in a relaxed, un-stretched state, and wherein said first and second non-elasticized regions provide fastening regions that are generally flat relative to said elasticized region.
6. The disposable absorbent garment of claim 5, wherein, for each fastening waist portion, said first and second side edges are elongated and one of said first and side edges is attached to said central body along one of said side margins to provide a side panel therealong.
7. The disposable absorbent garment of claim 1, wherein each said elastic element is spaced from other said elastic elements in a direction parallel with said centerline and directed laterally toward said side edges such that said elastic elements are configured to impart tension restricted to the lateral direction relative to the centerline.
8. The disposable absorbent garment of claim 1, wherein said non-elasticized region consists of said top layer and said base layer.
9. The disposable absorbent garment of claim 1, wherein said elasticized region extends substantially continuously and longitudinally between said first and second side edges.
10. A disposable absorbent garment comprising:
 - a topsheet;
 - a backsheet;
 - an absorbent core disposed between said topsheet and said backsheet such that a longitudinal centerline of said garment extends through said topsheet, said backsheet, and said absorbent core, wherein said topsheet, said backsheet and said absorbent core provide a central body of said disposable absorbent garment; and

an elastic composite band attached to said central body, said elastic composite band having a first side edge, a second side edge, and a composite centerline extending in a direction between, and in generally parallel relation with, said side edges, said elastic composite band including a base layer, a top layer, and an elastic construction disposed between said top and base layers and spaced inwardly from each said side edge; and

wherein said elastic construction includes a plurality of spaced apart and disconnected elastic elements distributed in a direction extending between said side edges, each said elastic element being oriented along a lateral direction intersecting said composite centerline and spaced inwardly from said first side edge to form a non-elasticized region between said first side edge and said elastic elements.

11. The disposable absorbent garment of claim 10, wherein each said elastic element is spaced longitudinally from other said elastic elements and directed laterally such that each said elastic elements are configured to impart tension in the lateral direction relative to the composite centerline.

12. The disposable absorbent garment of claim 11, wherein said elastic elements are positioned adjacent one another to form a substantially continuous elasticized region extending along said composite centerline.

13. The disposable absorbent garment of claim 10, wherein each said top layer and base layer includes a pair of side edges, and wherein said elastic elements are spaced inwardly from said side edges of said top and base layers to provide a non-elasticized region between said elasticized region and said side edges.

14. The disposable absorbent garment of claim 13, wherein said elastic elements are spaced from said side edges to provide a non-elasticized region between said central body and said elasticized region.

1/6

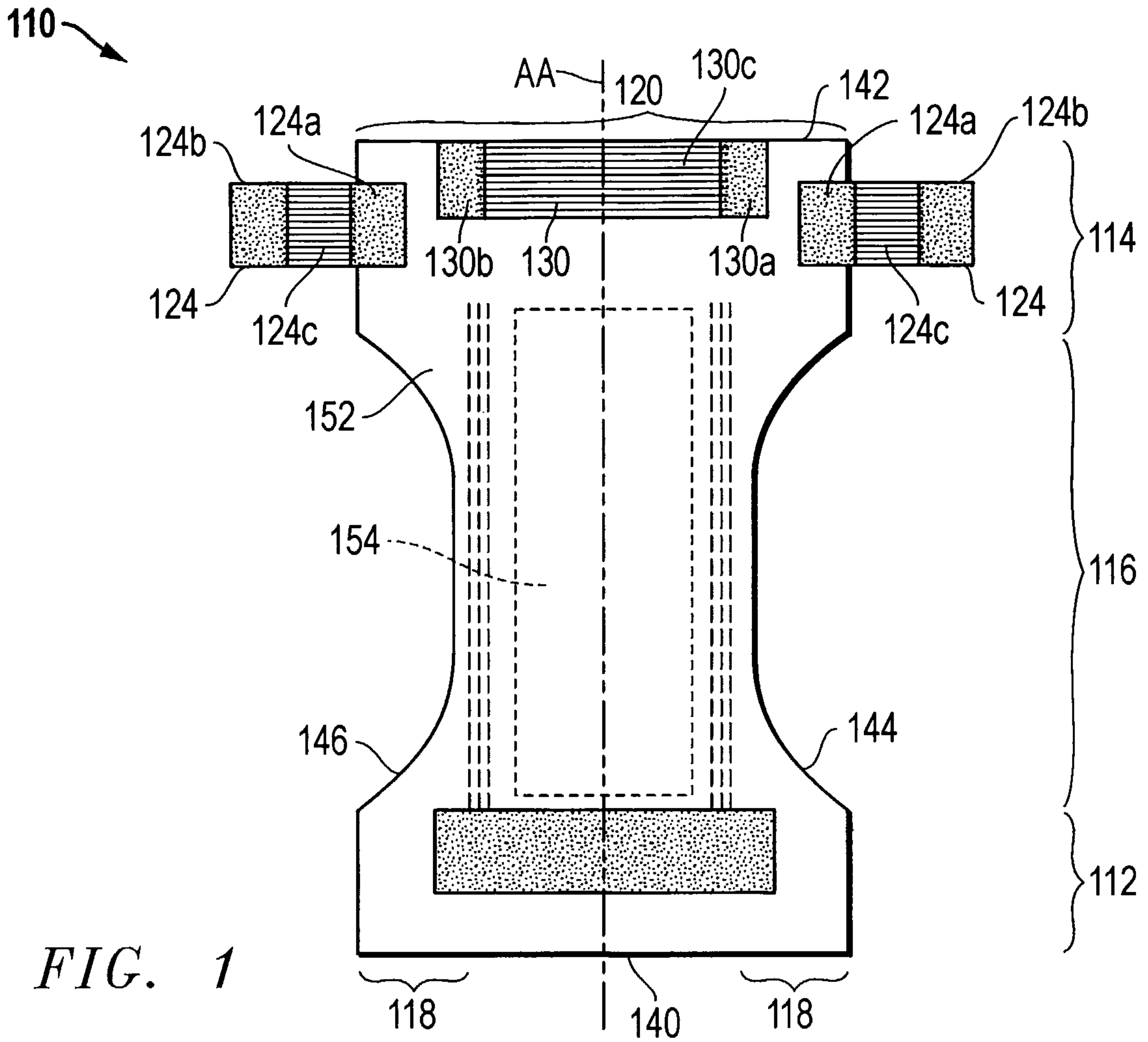


FIG. 1

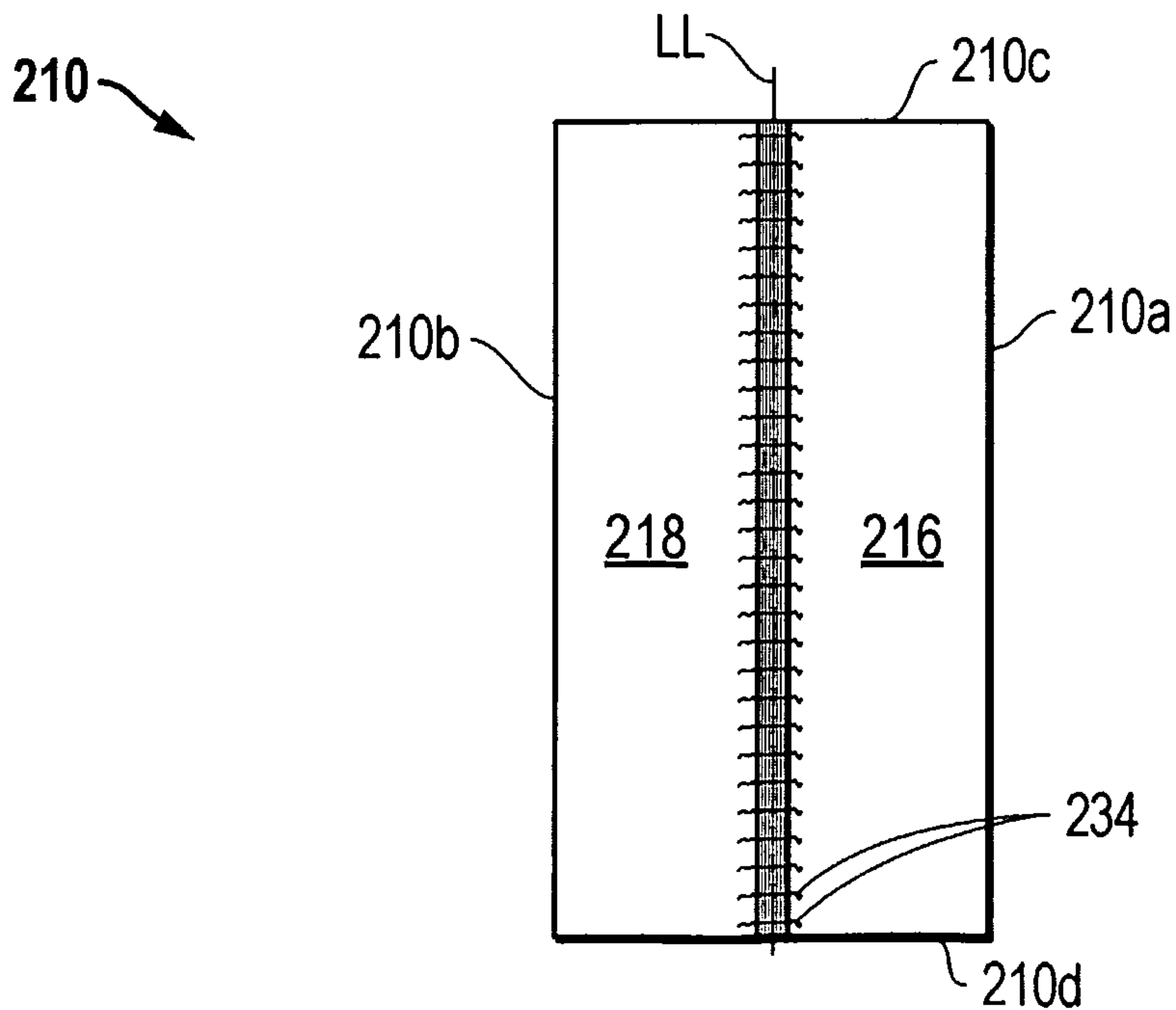


FIG. 2A

2/6

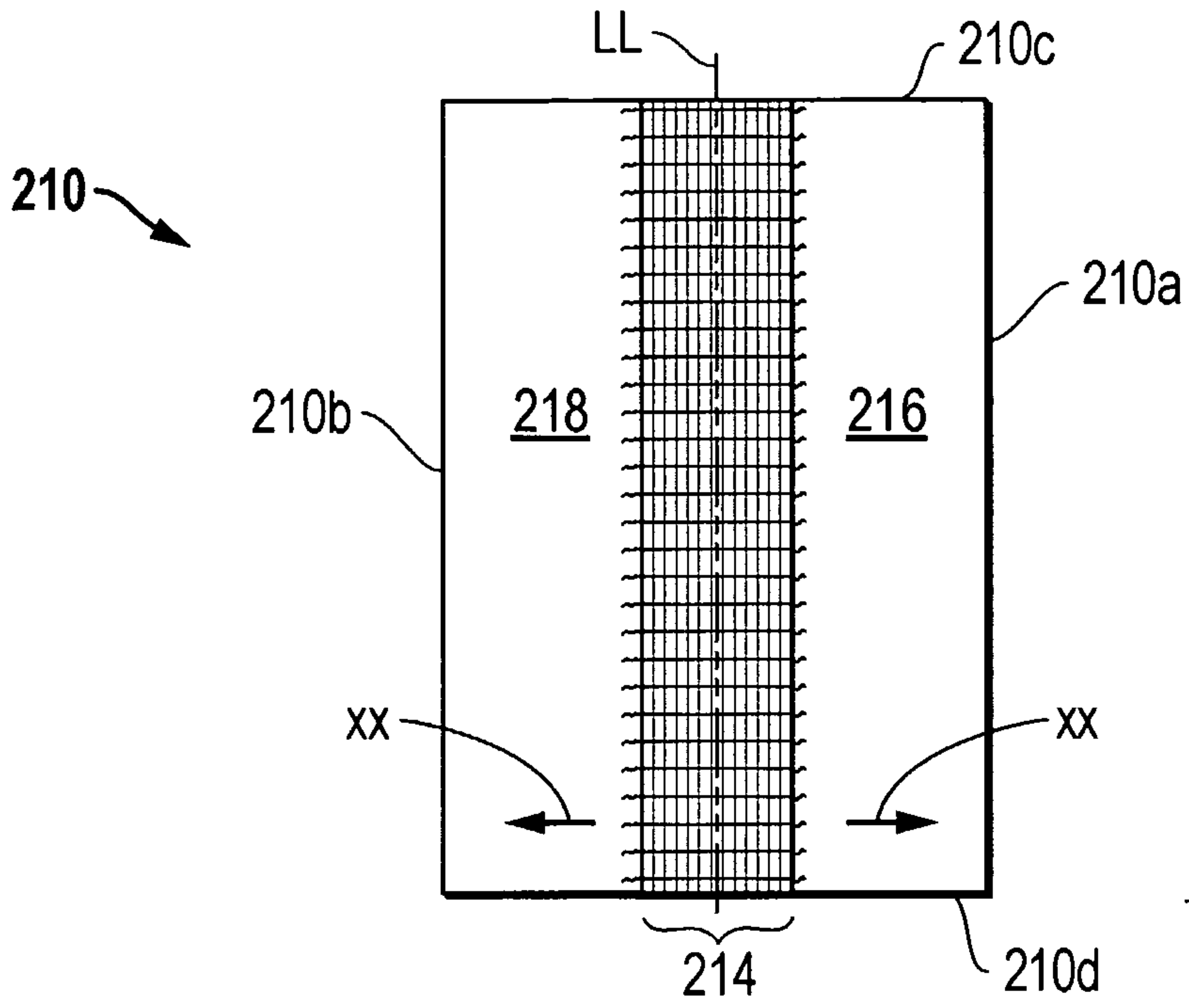


FIG. 2B

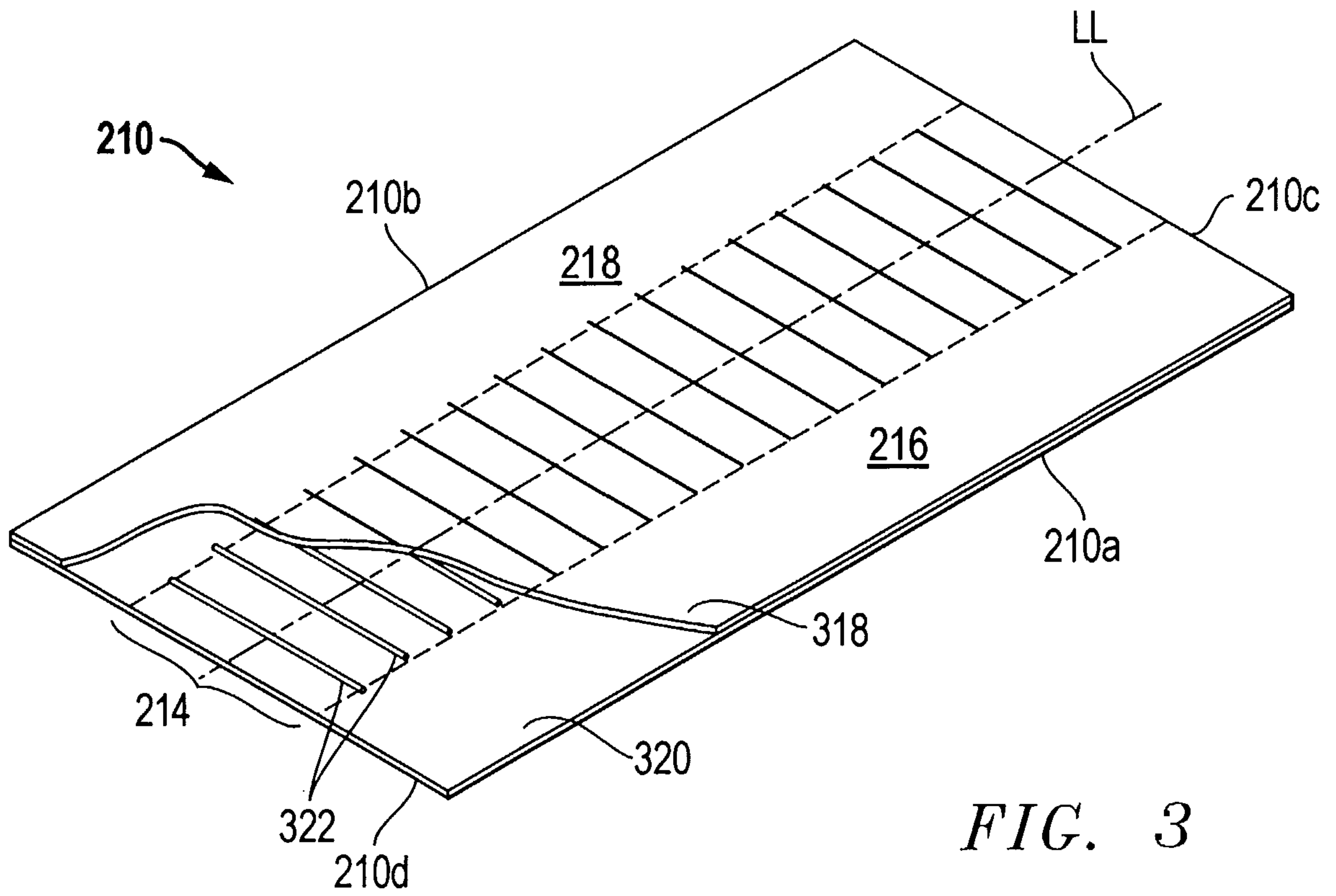


FIG. 3

3/6

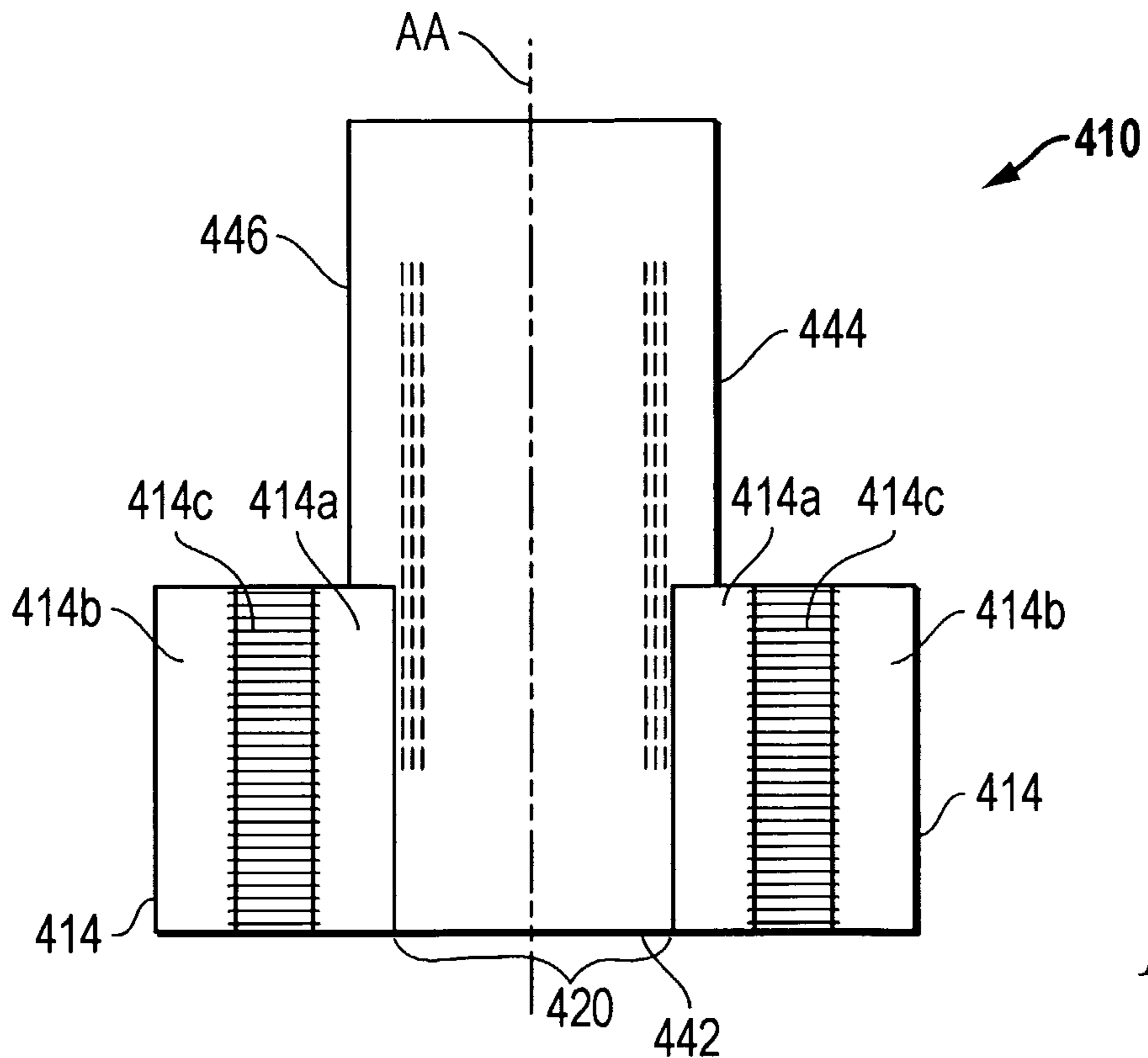


FIG. 4

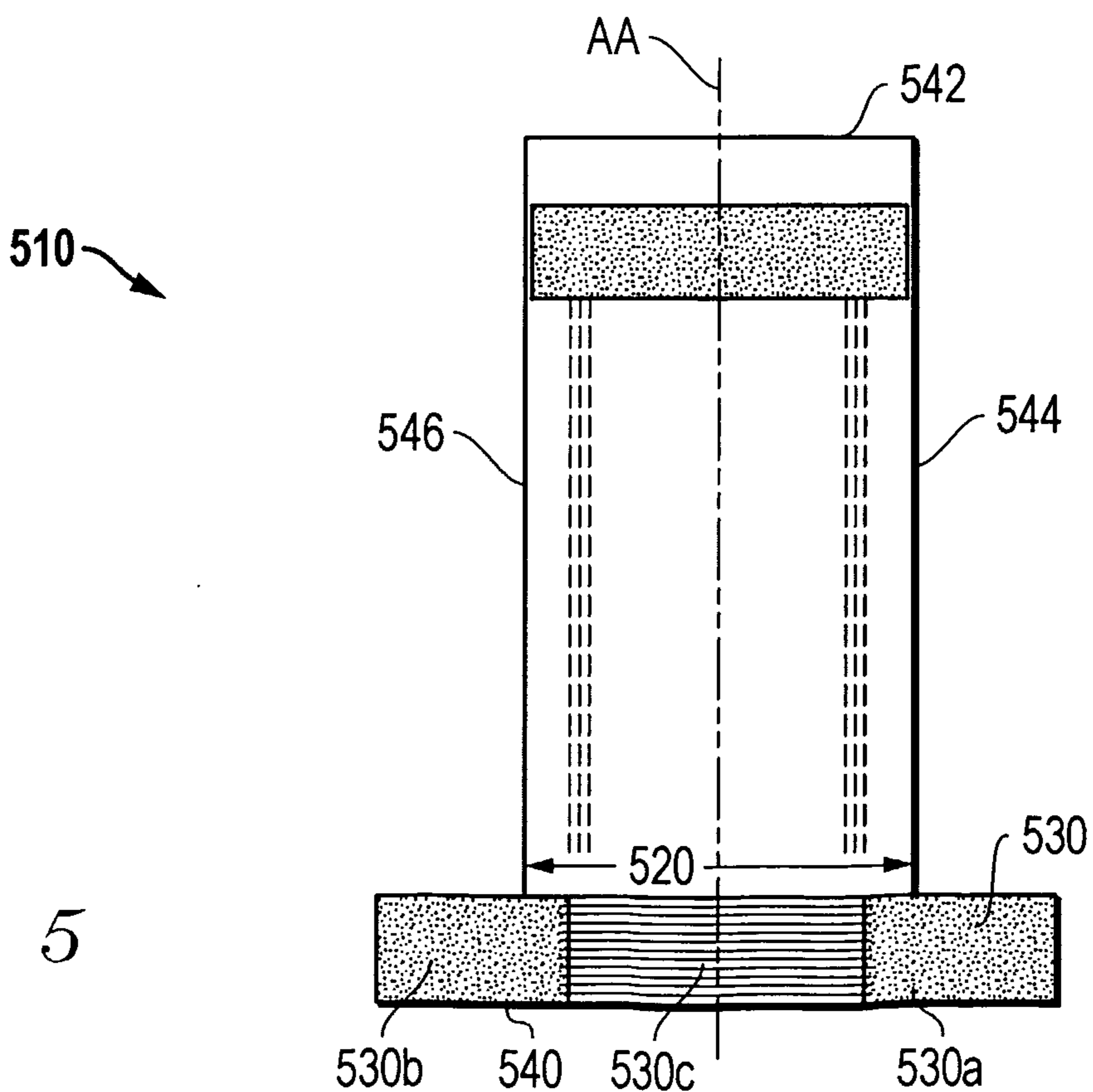


FIG. 5

4/6

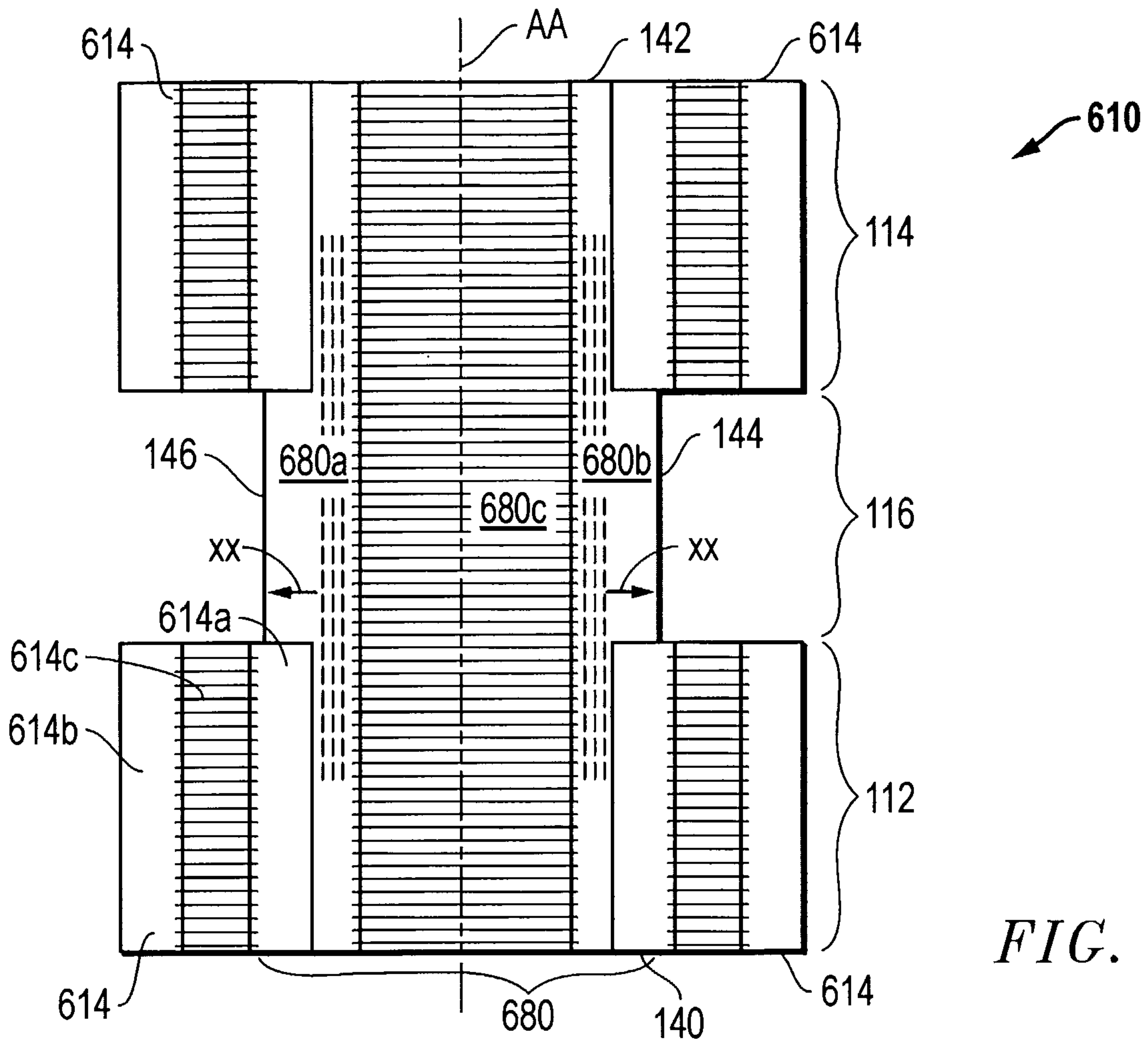


FIG. 6

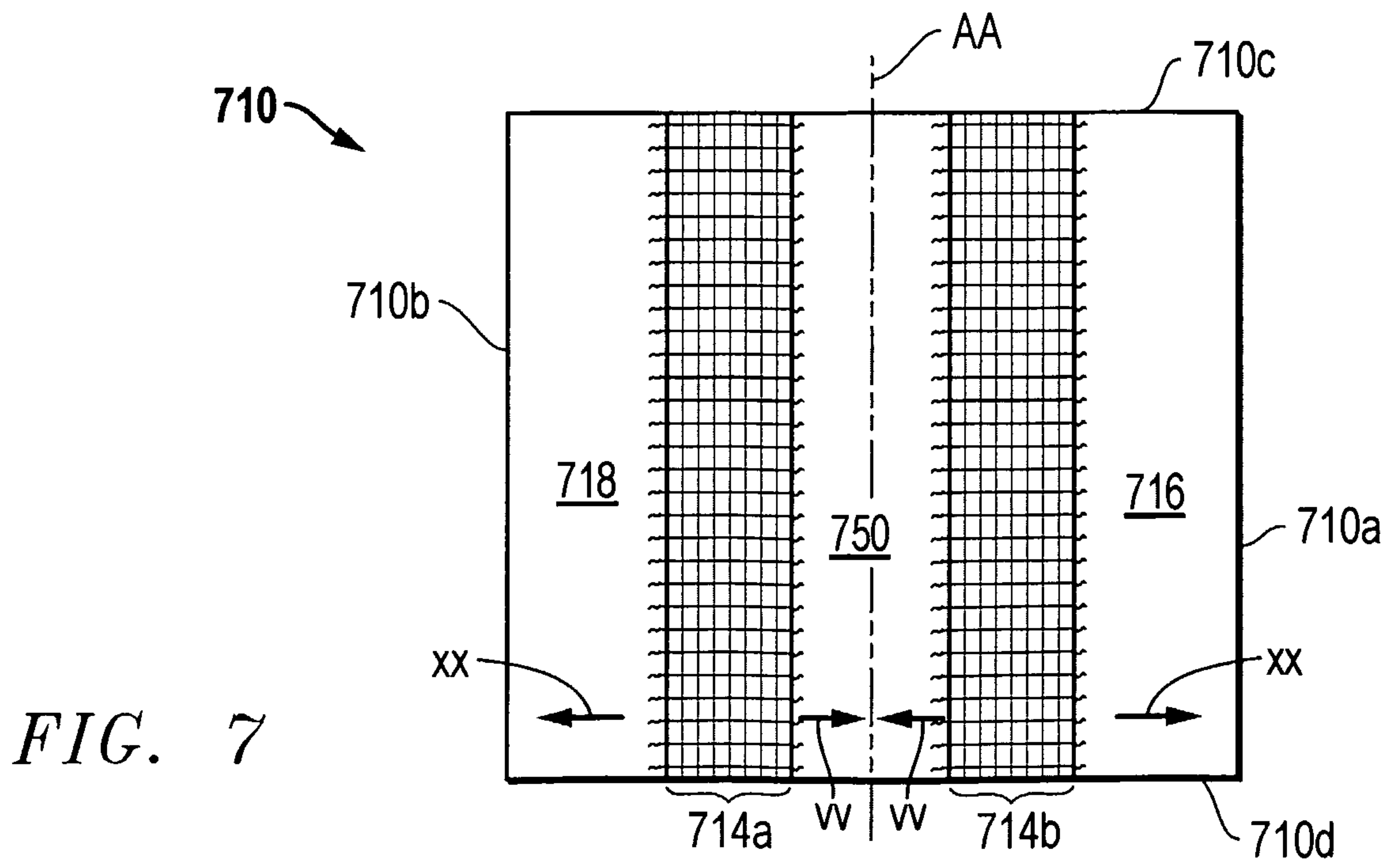


FIG. 7

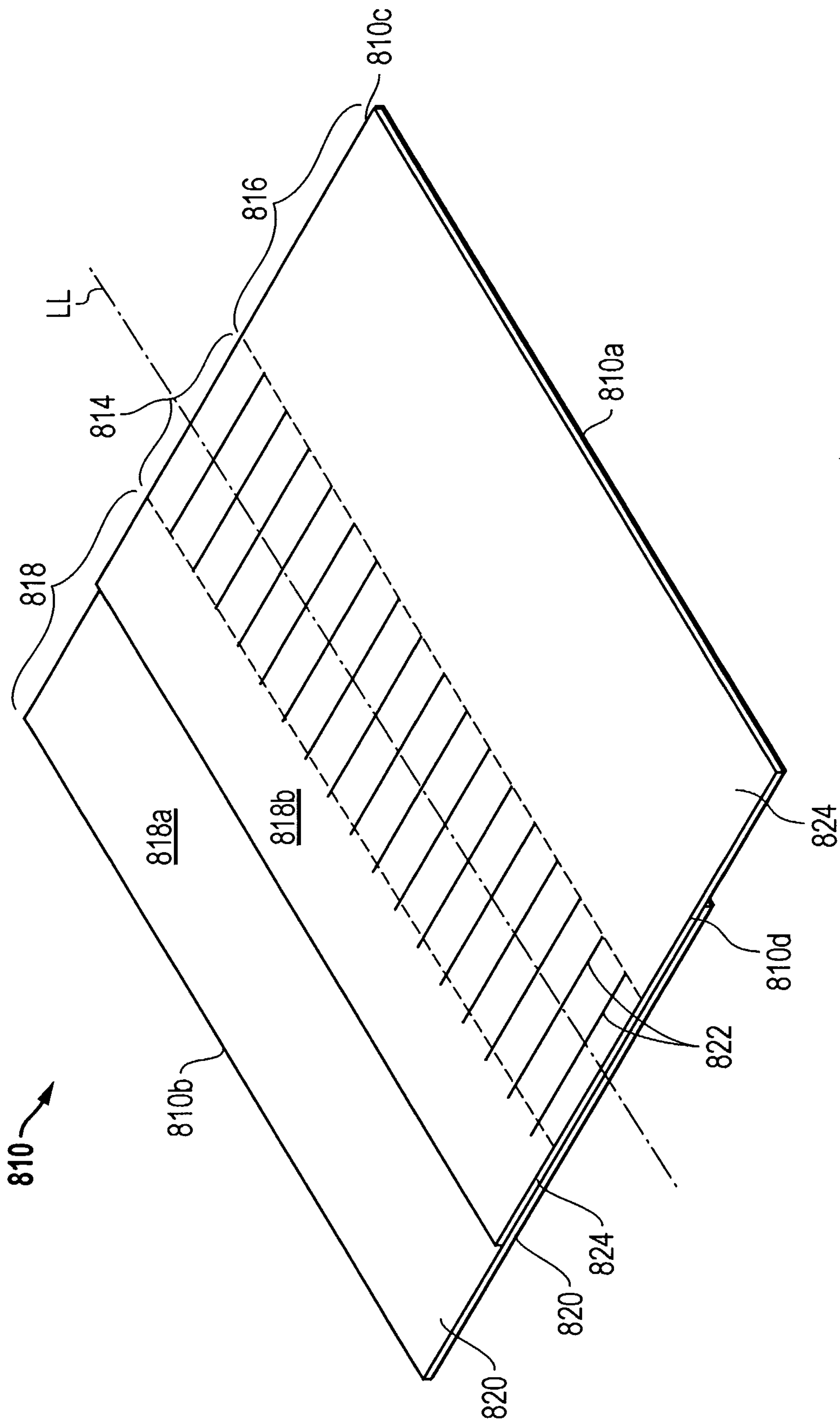


FIG. 8

6/6

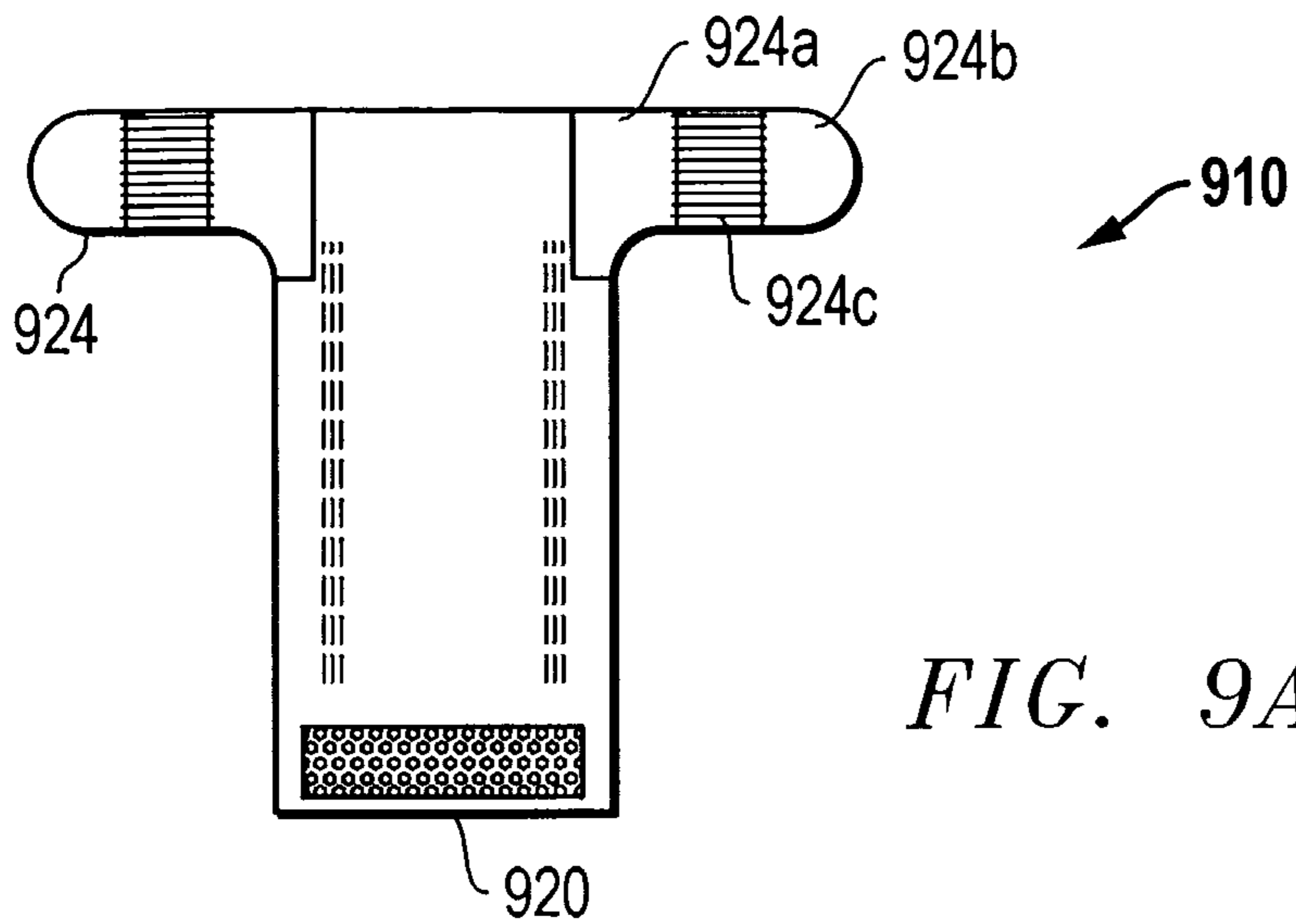


FIG. 9A

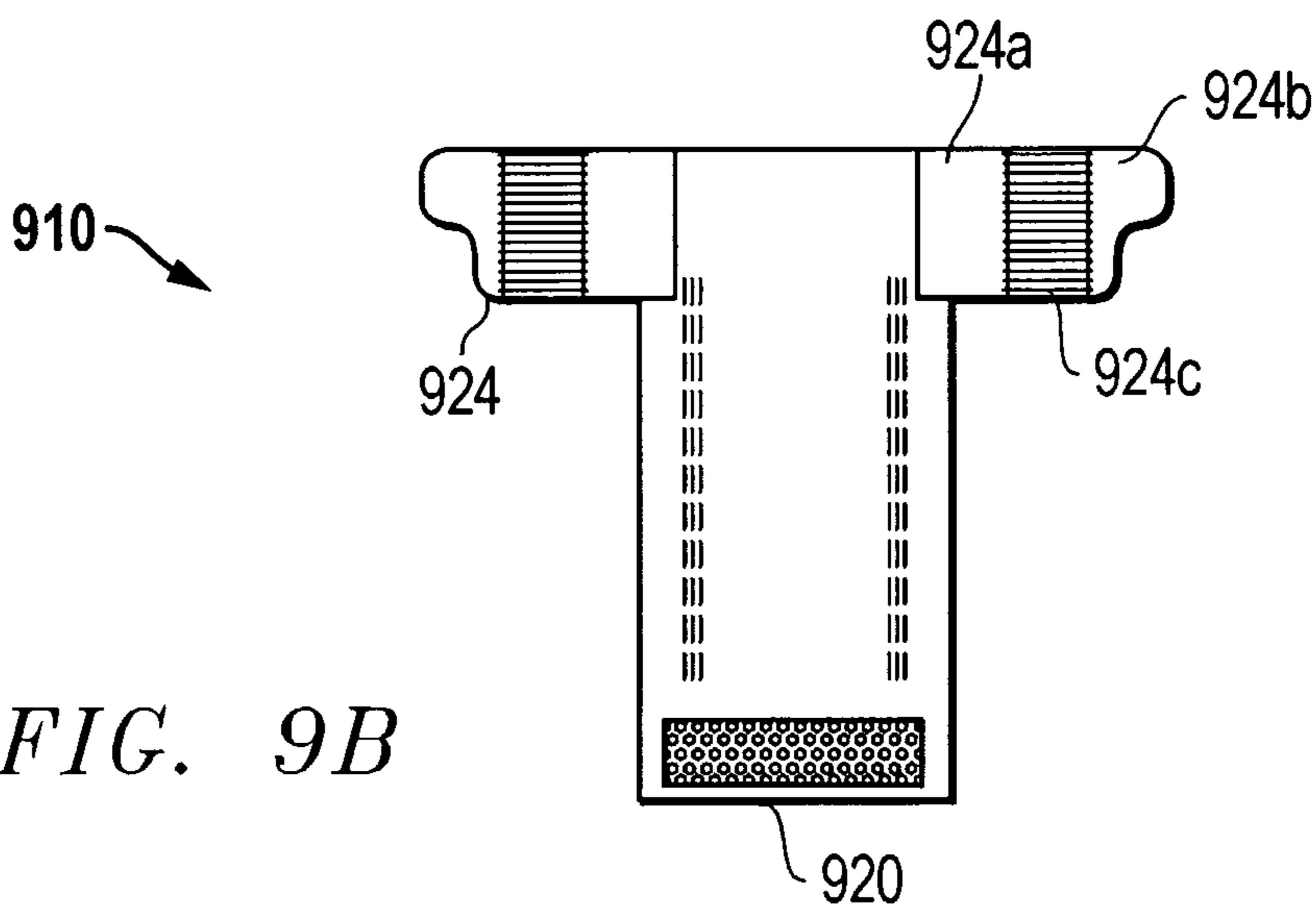


FIG. 9B

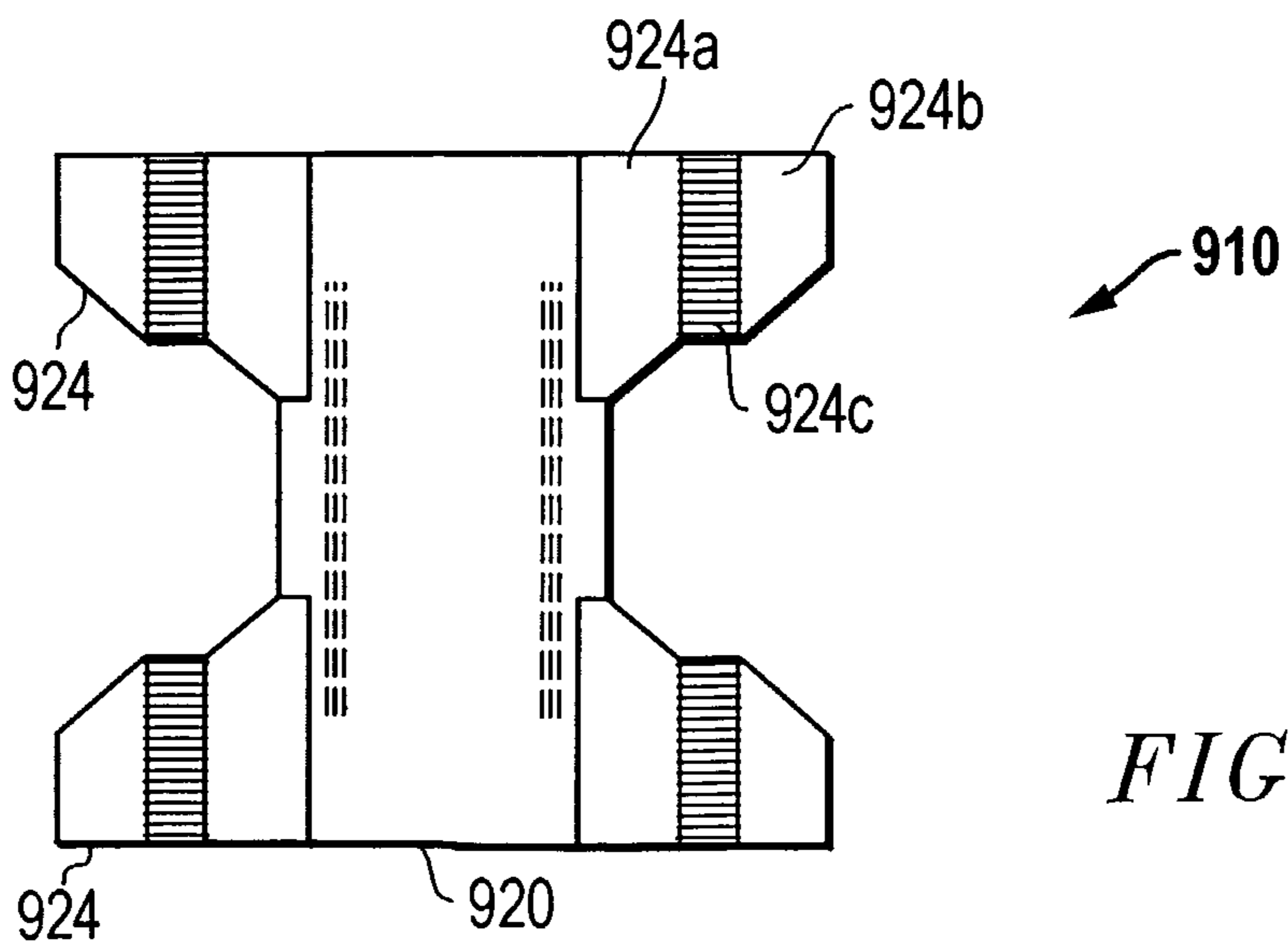


FIG. 9C

110

