



US00D543769S

(12) **United States Design Patent**
Ford

(10) **Patent No.:** **US D543,769 S**

(45) **Date of Patent:** **** Jun. 5, 2007**

(54) **BEVERAGE DISPENSER**

(75) Inventor: **Jonathan Ford**, Wilkes-Barre, PA (US)

(73) Assignee: **The American Belt Company**,
Bensalem, PA (US)

(**) Term: **14 Years**

(21) Appl. No.: **29/264,671**

(22) Filed: **Aug. 15, 2006**

(51) **LOC (8) Cl.** **07-01**

(52) **U.S. Cl.** **D7/301**; D7/313

(58) **Field of Classification Search** D7/300,
D7/301, 306, 313, 901; D15/9.3; D26/128;
D9/653, 600, 674, 499; 222/146.6, 146.5,
222/469, 185.1; D20/5; D23/201

See application file for complete search history.

(56) **References Cited**

U.S. PATENT DOCUMENTS

D86,652 S *	3/1932	Wolfe	D7/306
D188,566 S *	8/1960	Morian	D9/674
D200,076 S *	1/1965	Hill	D9/674
D242,834 S	12/1976	Little		
D243,135 S	1/1977	Moritz		
D248,716 S	8/1978	Little		
D248,717 S	8/1978	Little		
D248,718 S	8/1978	Little		
D251,104 S	2/1979	Sanchez et al.		
D252,604 S	8/1979	Harris		
D253,988 S	1/1980	Eagar		
D254,714 S	4/1980	Mascia et al.		
D254,716 S	4/1980	Mascia et al.		
D255,988 S	7/1980	Mascia et al.		

D257,427 S	10/1980	Cooke et al.		
D379,050 S *	5/1997	Kohanski	D7/313
D380,641 S *	7/1997	Randle	D7/313
D407,633 S *	4/1999	Jacobs	D9/674
D430,950 S *	9/2000	Lee et al.	D26/104
D450,877 S *	11/2001	Marino et al.	D26/104

* cited by examiner

Primary Examiner—M. N. Pandozzi

(74) *Attorney, Agent, or Firm*—John J. Skinner, Jr.; Fox Rothschild LLP

(57) **CLAIM**

The ornamental design for a beverage dispenser, as shown and described.

DESCRIPTION

FIG. 1 is an exploded perspective view of a beverage dispenser showing my new design;

FIG. 2 is a front view thereof with the screw-on-cap in place;

FIG. 3 is a back view of the present invention.

FIG. 4 is a right side view of the present invention.

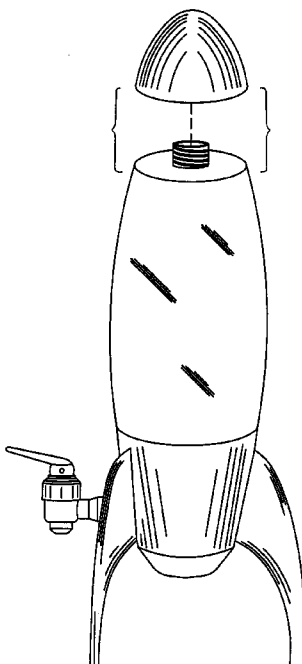
FIG. 5 is a left side view of the present invention.

FIG. 6 is top view of the present invention; and,

FIG. 7 is bottom view of the present invention.

The present invention is a new, original and ornamental design for a beverage dispenser into which a beverage may be placed into a clear see-through beverage reservoir through a removable screw-on cap and from which the beverage may be dispensed through a beverage dispensing cap.

1 Claim, 3 Drawing Sheets



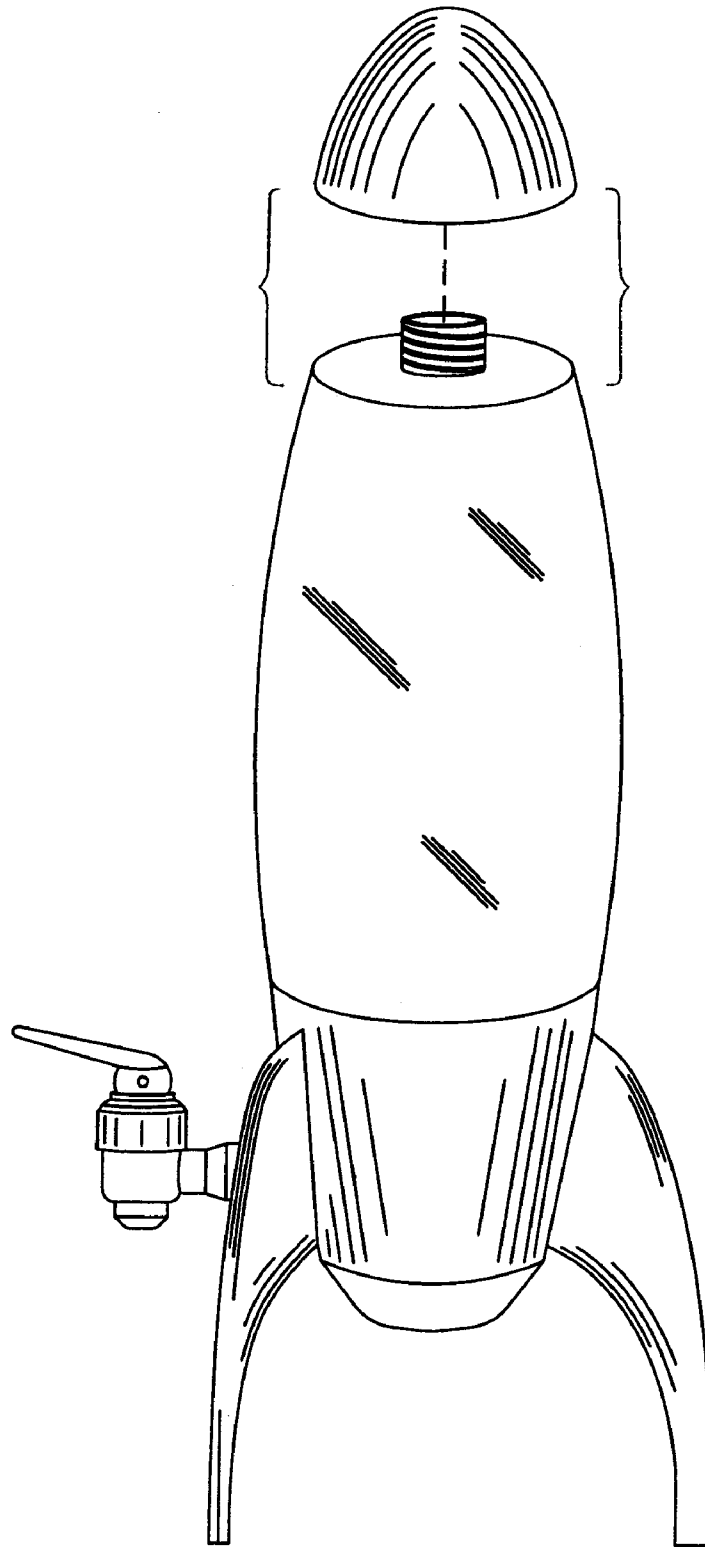


Fig. 1

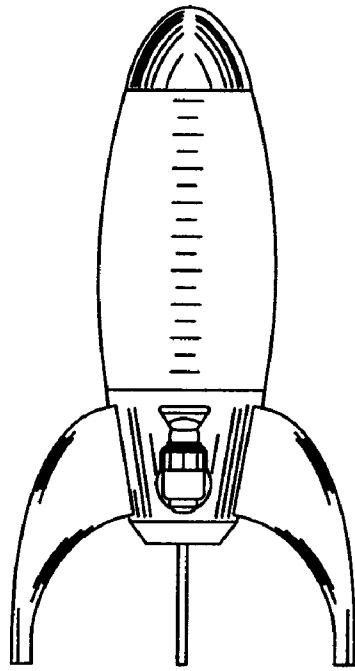


Fig. 2

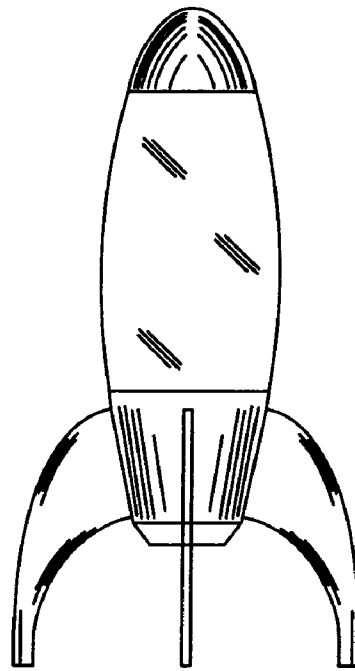


Fig. 3

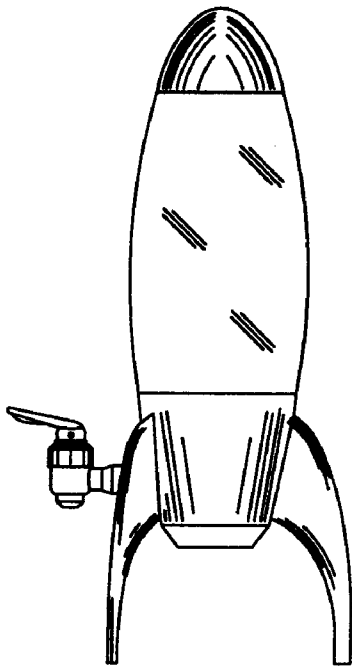


Fig. 4

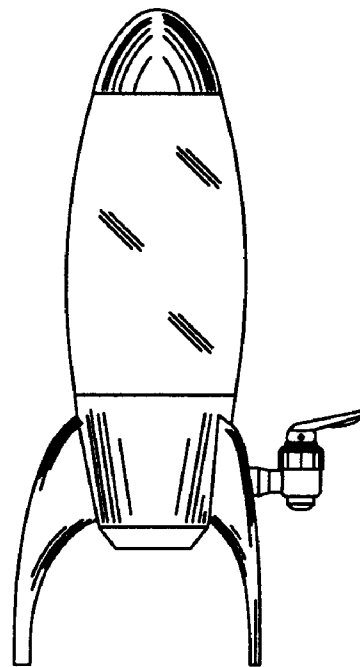


Fig. 5

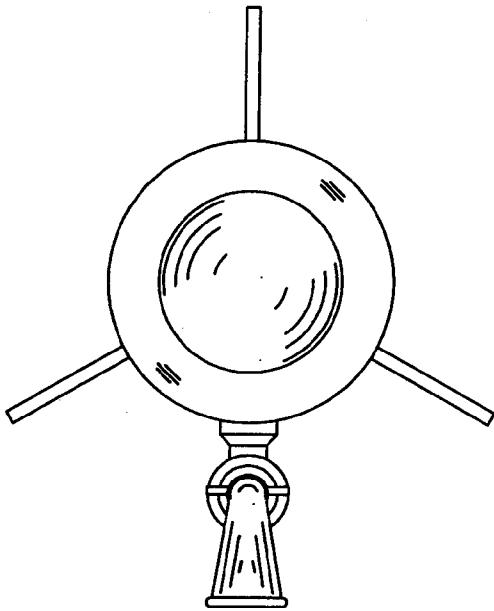


Fig. 6

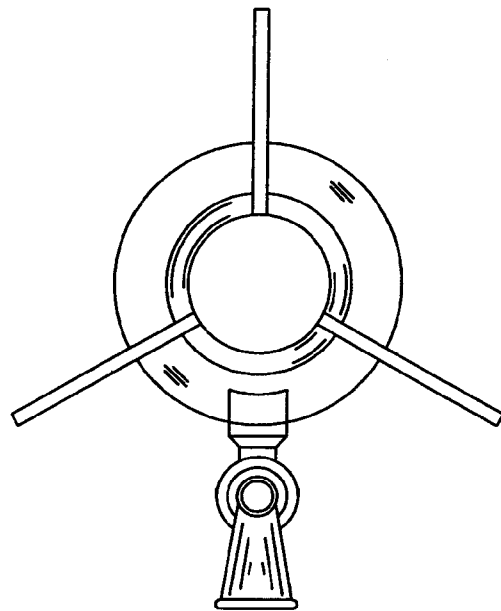


Fig. 7