



(51) International Patent Classification:

A61B 5/055 (2006.01) A61B 1/04 (2006.01)
A61B 1/00 (2006.01) A61B 19/00 (2006.01)

(21) International Application Number:

PCT/CA2015/050717

(22) International Filing Date:

29 July 2015 (29.07.2015)

(25) Filing Language:

English

(26) Publication Language:

English

(71) Applicant (for all designated States except US): SYN-APTIVE MEDICAL (BARBADOS) INC. [BB/BB]; Chancery House, High Street, Bridgetown (BB).

(72) Inventors; and

(71) Applicants (for US only): DUPONT, Kyle Richard [CA/CA]; c/o Synaptive Medical Inc., MaRS Centre, South Tower, 101 College St., Suite 200, Toronto, Ontario M5G 1L7 (CA). JANKOWSKI, Jakub [CA/CA]; c/o Synaptive Medical Inc., MaRS Centre, South Tower, 101 College St., Suite 200, Toronto, Ontario M5G 1L7 (CA). NG, Samson [CA/CA]; c/o Synaptive Medical Inc., MaRS Centre, South Tower, 101 College St., Suite 200, Toronto, Ontario M5G 1L7 (CA). KHERADPIR, Leila [CA/CA]; c/o Synaptive Medical Inc., MaRS Centre, South Tower, 101 College St., Suite 200, Toronto, Ontario M5G 1L7 (CA). SHAH,

Kishan Hitesh [CA/CA]; c/o Synaptive Medical Inc., MaRS Centre, South Tower, 101 College St., Suite 200, Toronto, Ontario M5G 1L7 (CA). KHAN, Omar Taqreiz Ahmad [CA/CA]; c/o Synaptive Medical Inc., MaRS Centre, South Tower, 101 College St., Suite 200, Toronto, Ontario M5G 1L7 (CA). SRIMOHANARAJAH, Kirusha [CA/CA]; c/o Synaptive Medical Inc., MaRS Centre, South Tower, 101 College St., Suite 200, Toronto, Ontario M5G 1L7 (CA).

(74) Agent: RIDOUT & MAYBEE LLP; 250 University Avenue, 5th Floor, Toronto, Ontario M5H 3E5 (CA).

(81) Designated States (unless otherwise indicated, for every kind of national protection available): AE, AG, AL, AM, AO, AT, AU, AZ, BA, BB, BG, BH, BN, BR, BW, BY, BZ, CA, CH, CL, CN, CO, CR, CU, CZ, DE, DK, DM, DO, DZ, EC, EE, EG, ES, FI, GB, GD, GE, GH, GM, GT, HN, HR, HU, ID, IL, IN, IR, IS, JP, KE, KG, KN, KP, KR, KZ, LA, LC, LK, LR, LS, LU, LY, MA, MD, ME, MG, MK, MN, MW, MX, MY, MZ, NA, NG, NI, NO, NZ, OM, PA, PE, PG, PH, PL, PT, QA, RO, RS, RU, RW, SA, SC, SD, SE, SG, SK, SL, SM, ST, SV, SY, TH, TJ, TM, TN, TR, TT, TZ, UA, UG, US, UZ, VC, VN, ZA, ZM, ZW.

(84) Designated States (unless otherwise indicated, for every kind of regional protection available): ARIPO (BW, GH, GM, KE, LR, LS, MW, MZ, NA, RW, SD, SL, ST, SZ,

[Continued on next page]

(54) Title: HANDHELD SCANNER FOR RAPID REGISTRATION IN A MEDICAL NAVIGATION SYSTEM

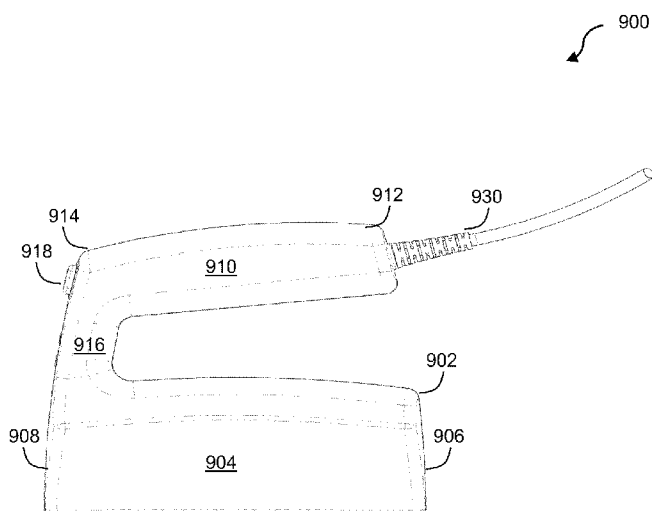


FIG. 9

(57) Abstract: A handheld scanner is provided for use in registering a patient for a medical procedure with a medical navigation system. The handheld scanner has a housing having a main body portion having a first end and a second end and a handle portion having a first end and a second end with the second end attached to the second end of the main body portion with a bridge portion. The handheld scanner further has a circuit board contained in the housing, a processor connected to the circuit board, a light emitter contained in the main body portion and connected to the circuit board, a light detector contained in the main body portion and connected to the circuit board, and a button connected to the circuit board and located on the second end of the handle portion. The button is engageable by a thumb of a hand holding the handle portion.

WO 2017/015739 A1

TZ, UG, ZM, ZW), Eurasian (AM, AZ, BY, KG, KZ, RU, TJ, TM), European (AL, AT, BE, BG, CH, CY, CZ, DE, DK, EE, ES, FI, FR, GB, GR, HR, HU, IE, IS, IT, LT, LU, LV, MC, MK, MT, NL, NO, PL, PT, RO, RS, SE, SI, SK, SM, TR), OAPI (BF, BJ, CF, CG, CI, CM, GA, GN, GQ, GW, KM, ML, MR, NE, SN, TD, TG).

Published:

— *with international search report (Art. 21(3))*

HANDHELD SCANNER FOR RAPID REGISTRATION IN A MEDICAL NAVIGATION SYSTEM

TECHNICAL FIELD

[0001] The present disclosure is generally related to neurosurgical or medical procedures, and more specifically to a handheld scanner for rapid registration in a medical navigation system.

BACKGROUND

[0002] In the field of medicine, imaging and image guidance are a significant component of clinical care. From diagnosis and monitoring of disease, to planning of the surgical approach, to guidance during procedures and follow-up after the procedure is complete, imaging and image guidance provides effective and multifaceted treatment approaches, for a variety of procedures, including surgery and radiation therapy. Targeted stem cell delivery, adaptive chemotherapy regimes, and radiation therapy are only a few examples of procedures utilizing imaging guidance in the medical field.

[0003] Advanced imaging modalities such as Magnetic Resonance Imaging ("MRI") have led to improved rates and accuracy of detection, diagnosis and staging in several fields of medicine including neurology, where imaging of diseases such as brain cancer, stroke, Intra-Cerebral Hemorrhage ("ICH"), and neurodegenerative diseases, such as Parkinson's and Alzheimer's, are performed. As an imaging modality, MRI enables three-dimensional visualization of tissue with high contrast in soft tissue without the use of ionizing radiation. This modality is often used in conjunction with other modalities such as Ultrasound ("US"), Positron Emission Tomography ("PET") and Computed X-ray Tomography ("CT"), by examining the same tissue using the different physical principals available with each modality. CT is often used to visualize boney structures and blood vessels

when used in conjunction with an intra-venous agent such as an iodinated contrast agent. MRI may also be performed using a similar contrast agent, such as an intra-venous gadolinium based contrast agent which has pharmaco-kinetic properties that enable visualization of tumors and break-down of the blood brain barrier. These multi-modality solutions can provide varying degrees of contrast between different tissue types, tissue function, and disease states. Imaging modalities can be used in isolation, or in combination to better differentiate and diagnose disease.

[0004] In neurosurgery, for example, brain tumors are typically excised through an open craniotomy approach guided by imaging. The data collected in these solutions typically consists of CT scans with an associated contrast agent, such as iodinated contrast agent, as well as MRI scans with an associated contrast agent, such as gadolinium contrast agent. Also, optical imaging is often used in the form of a microscope to differentiate the boundaries of the tumor from healthy tissue, known as the peripheral zone. Tracking of instruments relative to the patient and the associated imaging data is also often achieved by way of external hardware systems such as mechanical arms, or radiofrequency or optical tracking devices. As a set, these devices are commonly referred to as surgical navigation systems.

[0005] Three dimensional (3D) sensor systems are increasingly being used in a wide array of applications, including medical procedures. These sensor systems determine the shape and/or features of an object positioned in a scene of the sensor system's view. In recent years, many methods have been proposed for implementing 3D modeling systems that are capable of acquiring fast and accurate high resolution 3D images of objects for various applications.

[0006] Triangulation based 3D sensor systems and methods typically have one or more projectors as a light source for projecting onto a surface and one or more cameras at a defined, typically rectified relative position from the projector for imaging the lighted surface. The camera and the projector therefore have different optical paths, and the distance between them is referred to as the baseline.

Through knowledge of the baseline distance as well as projection and imaging angles, known geometric/triangulation equations are utilized to determine distance to the imaged object. The main differences among the various triangulation methods known in the art lie in the method of projection as well as the type of light projected, typically structured light, and in the process of image decoding to obtain three dimensional data.

[0007] A 3D sensor system may be contemplated as a novel extension of a surgical navigation systems. One popular triangulation based 3D sensor system is created by Mantis Vision, which utilizes a single frame structured light active triangulation system to project infrared light patterns onto an environment. To capture 3D information, a projector overlays an infrared light pattern onto the scanning target. Then a digital camera and a depth sensor, synched to the projector, captures the scene with the light reflected by the object. The technology works even in complete darkness, since it includes its own illumination; in bright environments the quality of the resulting image depends on the hardware used.

[0008] During a medical procedure, navigation systems require a registration to transform between the physical position of the patient in the operating room and the volumetric image set (e.g., MRI/CT) being navigated to. Conventionally, this registration is done to the position of a reference tool, which is visible by the tracking system and stays fixed in position and orientation relative to the patient throughout the procedure.

[0009] This registration is typically accomplished through correspondence touch points (e.g., either fiducial or anatomic points). Such an approach to registration has a number of disadvantages, including requiring fiducials to be placed before scans, requiring points to be identified, providing for a limited number of points, touch point collection is subject to user variability, and the physical stylus used for collecting the points can deform or deflect patient skin position. Another conventional approach to collecting the touch points includes performing a surface tracing of the patient drawn as a line which is matched to the image set surface

contour using either a stylus pointer or a laser pointer. Such an approach to registration has a number of disadvantages, including providing for a limited number of points, and the physical stylus can deform or deflect patient skin position. Yet another conventional approach to collecting the touch points includes using a mask, which requires a high level of operator training and is operator dependent. This approach also provides only a limited number of points.

[0010] Some common limitations exist for conventional 3D scanners used to register a patient in an operation room. Conventional 3D scanners are not designed with a surgical team in mind as the intended user and are therefore not ergonomically suitable for use in an operating room. Further, conventional scanners that use light outside of the visible spectrum can be difficult to aim because it is not readily apparent what the 3D scanner is being directed towards.

[0011] Therefore, there is a need for an improved handheld scanner for use in a medical navigation system.

SUMMARY

[0012] One aspect of the present disclosure provides a handheld scanner for use in registering a patient for a medical procedure with a medical navigation system. The handheld scanner has a housing having a main body portion having a first end and a second end and a handle portion having a first end and a second end with the second end attached to the second end of the main body portion with a bridge portion. The handheld scanner further has a circuit board contained in the housing, a processor connected to the circuit board, an optional power supply module connected to the circuit board, a light emitter contained in the main body portion and connected to the circuit board, a light detector contained in the main body portion and connected to the circuit board, and a button connected to the circuit board and located on the second end of the handle portion. The button is engageable by a thumb of a hand holding the handle portion.

[0013] A further understanding of the functional and advantageous aspects of the disclosure can be realized by reference to the following detailed description and drawings.

BRIEF DESCRIPTION OF THE DRAWINGS

[0014] Embodiments will now be described, by way of example only, with reference to the drawings, in which:

[0015] FIG. 1 illustrates the insertion of an access port into a human brain, for providing access to internal brain tissue during a medical procedure;

[0016] FIG. 2 shows an exemplary navigation system to support minimally invasive access port-based surgery;

[0017] FIG. 3 is a block diagram illustrating a control and processing system that may be used in the navigation system shown in Fig. 2;

[0018] FIG. 4A is a flow chart illustrating a method involved in a surgical procedure using the navigation system of FIG. 2;

[0019] FIG. 4B is a flow chart illustrating a method of registering a patient for a surgical procedure as outlined in FIG. 4A;

[0020] FIG. 5 illustrates a flow chart describing the use of multiple patient reference markers for registration;

[0021] FIG. 6 is a flow chart illustrating a method of registering a patient for a medical procedure with a medical navigation system;

[0022] FIG. 7 is another flow chart illustrating a method of registering a patient for a medical procedure with a medical navigation system;

- [0023]** FIG. 8 is another flow chart illustrating a method of registering a patient for a medical procedure with a medical navigation system;
- [0024]** FIG. 9 illustrates a left side view of a handheld scanner for use in registering a patient for a medical procedure;
- [0025]** FIG. 10 illustrates a front view of the handheld scanner of FIG. 9;
- [0026]** FIG. 11 illustrates a rear view of the handheld scanner of FIG. 9;
- [0027]** FIG. 12 illustrates a top view of the handheld scanner of FIG. 9;
- [0028]** FIG. 13 illustrates a solid perspective view showing the left side of the handheld scanner of FIG. 9;
- [0029]** FIG. 14 illustrates a solid perspective view showing the right side of the handheld scanner of FIG. 9; and
- [0030]** FIG. 15 illustrates a solid perspective view showing the left side of the handheld scanner of FIG. 9 being held by a hand.

DETAILED DESCRIPTION

[0031] Various embodiments and aspects of the disclosure will be described with reference to details discussed below. The following description and drawings are illustrative of the disclosure and are not to be construed as limiting the disclosure. Numerous specific details are described to provide a thorough understanding of various embodiments of the present disclosure. However, in certain instances, well-known or conventional details are not described in order to provide a concise discussion of embodiments of the present disclosure.

[0032] As used herein, the terms, "comprises" and "comprising" are to be construed as being inclusive and open ended, and not exclusive. Specifically, when used in the specification and claims, the terms, "comprises" and "comprising" and

variations thereof mean the specified features, steps or components are included. These terms are not to be interpreted to exclude the presence of other features, steps or components.

[0033] As used herein, the term “exemplary” means “serving as an example, instance, or illustration,” and should not be construed as preferred or advantageous over other configurations disclosed herein.

[0034] As used herein, the terms “about”, “approximately”, and “substantially” are meant to cover variations that may exist in the upper and lower limits of the ranges of values, such as variations in properties, parameters, and dimensions. In one non-limiting example, the terms “about”, “approximately”, and “substantially” mean plus or minus 10 percent or less.

[0035] Unless defined otherwise, all technical and scientific terms used herein are intended to have the same meaning as commonly understood by one of ordinary skill in the art. Unless otherwise indicated, such as through context, as used herein, the following terms are intended to have the following meanings:

[0036] As used herein, the phrase “access port” refers to a cannula, conduit, sheath, port, tube, or other structure that is insertable into a subject, in order to provide access to internal tissue, organs, or other biological substances. In some embodiments, an access port may directly expose internal tissue, for example, via an opening or aperture at a distal end thereof, and/or via an opening or aperture at an intermediate location along a length thereof. In other embodiments, an access port may provide indirect access, via one or more surfaces that are transparent, or partially transparent, to one or more forms of energy or radiation, such as, but not limited to, electromagnetic waves and acoustic waves.

[0037] As used herein the phrase “intraoperative” refers to an action, process, method, event or step that occurs or is carried out during at least a portion of a medical procedure. Intraoperative, as defined herein, is not limited to surgical

procedures, and may refer to other types of medical procedures, such as diagnostic and therapeutic procedures.

[0038] Embodiments of the present disclosure provide imaging devices that are insertable into a subject or patient for imaging internal tissues, and methods of use thereof. Some embodiments of the present disclosure relate to minimally invasive medical procedures that are performed via an access port, whereby surgery, diagnostic imaging, therapy, or other medical procedures (e.g. minimally invasive medical procedures) are performed based on access to internal tissue through the access port.

[0039] The present disclosure is generally related to medical procedures, neurosurgery, and minimally invasive port-based surgery in specific.

[0040] In the example of a port-based surgery, a surgeon or robotic surgical system may perform a surgical procedure involving tumor resection in which the residual tumor remaining after is minimized, while also minimizing the trauma to the healthy white and grey matter of the brain. In such procedures, trauma may occur, for example, due to contact with the access port, stress to the brain matter, unintentional impact with surgical devices, and/or accidental resection of healthy tissue. A key to minimizing trauma is ensuring that the spatial location of the patient as understood by the surgeon and the surgical system is as accurate as possible.

[0041] FIG. 1 illustrates the insertion of an access port into a human brain, for providing access to internal brain tissue during a medical procedure. In FIG. 1, access port 12 is inserted into a human brain 10, providing access to internal brain tissue. Access port 12 may include instruments such as catheters, surgical probes, or cylindrical ports such as the NICO BrainPath. Surgical tools and instruments may then be inserted within the lumen of the access port in order to perform surgical, diagnostic or therapeutic procedures, such as resecting tumors as necessary. The present disclosure applies equally well to catheters, DBS needles, a

biopsy procedure, and also to biopsies and/or catheters in other medical procedures performed on other parts of the body where head immobilization is needed.

[0042] In the example of a port-based surgery, a straight or linear access port 12 is typically guided down a sulci path of the brain. Surgical instruments would then be inserted down the access port 12.

[0043] Optical tracking systems, which may be used in the medical procedure, track the position of a part of the instrument that is within line-of-site of the optical tracking camera. These optical tracking systems also require a reference to the patient to know where the instrument is relative to the target (e.g., a tumor) of the medical procedure. These optical tracking systems require a knowledge of the dimensions of the instrument being tracked so that, for example, the optical tracking system knows the position in space of a tip of a medical instrument relative to the tracking markers being tracked.

[0044] Referring to FIG. 2, an exemplary navigation system environment 200 is shown, which may be used to support navigated image-guided surgery. As shown in FIG. 2, surgeon 201 conducts a surgery on a patient 202 in an operating room (OR) environment. A medical navigation system 205 comprising an equipment tower, tracking system, displays and tracked instruments assist the surgeon 201 during his procedure. An operator 203 is also present to operate, control and provide assistance for the medical navigation system 205.

[0045] Referring to FIG. 3, a block diagram is shown illustrating a control and processing system 300 that may be used in the medical navigation system 200 shown in FIG. 2 (e.g., as part of the equipment tower). As shown in FIG. 3, in one example, control and processing system 300 may include one or more processors 302, a memory 304, a system bus 306, one or more input/output interfaces 308, a communications interface 310, and storage device 312. Control and processing system 300 may be interfaced with other external devices, such as tracking system 321, data storage 342, and external user input and output devices 344, which may include, for example, one or more of a display, keyboard, mouse, sensors attached

to medical equipment, foot pedal, and microphone and speaker. Data storage 342 may be any suitable data storage device, such as a local or remote computing device (e.g. a computer, hard drive, digital media device, or server) having a database stored thereon. In the example shown in FIG. 3, data storage device 342 includes identification data 350 for identifying one or more medical instruments 360 and configuration data 352 that associates customized configuration parameters with one or more medical instruments 360. Data storage device 342 may also include preoperative image data 354 and/or medical procedure planning data 356. Although data storage device 342 is shown as a single device in FIG. 3, it will be understood that in other embodiments, data storage device 342 may be provided as multiple storage devices.

[0046] Medical instruments 360 are identifiable by control and processing unit 300. Medical instruments 360 may be connected to and controlled by control and processing unit 300, or medical instruments 360 may be operated or otherwise employed independent of control and processing unit 300. Tracking system 321 may be employed to track one or more of medical instruments 360 and spatially register the one or more tracked medical instruments to an intraoperative reference frame. For example, medical instruments 360 may include tracking markers such as tracking spheres that may be recognizable by a tracking camera 307. In one example, the tracking camera 307 may be an infrared (IR) tracking camera. In another example, a sheath placed over a medical instrument 360 may be connected to and controlled by control and processing unit 300.

[0047] Control and processing unit 300 may also interface with a number of configurable devices, and may intraoperatively reconfigure one or more of such devices based on configuration parameters obtained from configuration data 352. Examples of devices 320, as shown in FIG. 3, include one or more external imaging devices 322, one or more illumination devices 324, a robotic arm 305, one or more projection devices 328, a 3D scanner 309, and one or more displays 311.

[0048] Exemplary aspects of the disclosure can be implemented via processor(s) 302 and/or memory 304. For example, the functionalities described herein can be partially implemented via hardware logic in processor 302 and partially using the instructions stored in memory 304, as one or more processing modules or engines 370. Example processing modules include, but are not limited to, user interface engine 372, tracking module 374, motor controller 376, image processing engine 378, image registration engine 380, procedure planning engine 382, navigation engine 384, and context analysis module 386. While the example processing modules are shown separately in FIG. 3, in one example the processing modules 370 may be stored in the memory 304 and the processing modules may be collectively referred to as processing modules 370.

[0049] It is to be understood that the system is not intended to be limited to the components shown in FIG. 3. One or more components of the control and processing system 300 may be provided as an external component or device. In one example, navigation module 384 may be provided as an external navigation system that is integrated with control and processing system 300.

[0050] Some embodiments may be implemented using processor 302 without additional instructions stored in memory 304. Some embodiments may be implemented using the instructions stored in memory 304 for execution by one or more general purpose microprocessors. Thus, the disclosure is not limited to a specific configuration of hardware and/or software.

[0051] While some embodiments can be implemented in fully functioning computers and computer systems, various embodiments are capable of being distributed as a computing product in a variety of forms and are capable of being applied regardless of the particular type of machine or computer readable media used to actually effect the distribution.

[0052] According to one aspect of the present application, one purpose of the navigation system 205, which may include control and processing unit 300, is to provide tools to the neurosurgeon that will lead to the most informed, least

damaging neurosurgical operations. In addition to removal of brain tumors and intracranial hemorrhages (ICH), the navigation system 205 can also be applied to a brain biopsy, a functional/deep-brain stimulation, a catheter/shunt placement procedure, open craniotomies, endonasal/skull-based/ENT, spine procedures, and other parts of the body such as breast biopsies, liver biopsies, etc. While several examples have been provided, aspects of the present disclosure may be applied to any suitable medical procedure.

[0053] While one example of a navigation system 205 is provided that may be used with aspects of the present application, any suitable navigation system may be used, such as a navigation system using optical tracking instead of infrared cameras.

[0054] Referring to FIG. 4A, a flow chart is shown illustrating a method 400 of performing a port-based surgical procedure using a navigation system, such as the medical navigation system 205 described in relation to FIG. 2. At a first block 402, the port-based surgical plan is imported. A detailed description of the process to create and select a surgical plan is outlined in international publication WO/2014/139024, entitled "PLANNING, NAVIGATION AND SIMULATION SYSTEMS AND METHODS FOR MINIMALLY INVASIVE THERAPY", which claims priority to United States Provisional Patent Application Serial Nos. 61/800,155 and 61/924,993, which are all hereby incorporated by reference in their entirety.

[0055] Once the plan has been imported into the navigation system at the block 402, the patient is placed on a surgical bed. The head position is confirmed with the patient plan in the navigation system (block 404), which in one example may be implemented by a computer or controller forming part of the equipment tower.

[0056] Next, registration of the patient is initiated (block 406). The phrase "registration" or "image registration" refers to the process of transforming different sets of data into one coordinate system. Data may include multiple photographs,

data from different sensors, times, depths, or viewpoints. The process of "registration" is used in the present application for medical imaging in which images from different imaging modalities are co-registered. Registration is used in order to be able to compare or integrate the data obtained from these different modalities to the patient in physical space.

[0057] Those skilled in the relevant arts will appreciate that there are numerous registration techniques available and one or more of the techniques may be applied to the present example. Non-limiting examples include intensity-based methods that compare intensity patterns in images via correlation metrics, while feature-based methods find correspondence between image features such as points, lines, and contours. Image registration methods may also be classified according to the transformation models they use to relate the target image space to the reference image space. Another classification can be made between single-modality and multi-modality methods. Single-modality methods typically register images in the same modality acquired by the same scanner or sensor type, for example, a series of magnetic resonance (MR) images may be co-registered, while multi-modality registration methods are used to register images acquired by different scanner or sensor types, for example in magnetic resonance imaging (MRI) and positron emission tomography (PET). In the present disclosure, multi-modality registration methods may be used in medical imaging of the head and/or brain as images of a subject are frequently obtained from different scanners. Examples include registration of brain computerized tomography (CT)/MRI images or PET/CT images for tumor localization, registration of contrast-enhanced CT images against non-contrast-enhanced CT images, and registration of ultrasound and CT to patient in physical space.

[0058] Referring now to FIG. 4B, a flow chart is shown illustrating a method involved in registration block 406 as outlined in FIG. 4A, in greater detail. If the use of fiducial touch points (440) is contemplated, the method involves first identifying fiducials on images (block 442), then touching the touch points with a

tracked instrument (block 444). Next, the navigation system computes the registration to reference markers (block 446).

[0059] Alternately, registration can also be completed by conducting a surface scan procedure (block 450), which may be applied to aspects of the present disclosure. The block 450 is presented to show an alternative approach. First, the face is scanned using the 3D scanner 309 (block 452). Next, the face surface is extracted from MR/CT data (block 454). Finally, surfaces are matched to determine registration data points (block 456).

[0060] Upon completion of either the fiducial touch points (440) or surface scan (450) procedures, the data extracted is computed and used to confirm registration at block 408, shown in FIG. 4A.

[0061] Referring back to FIG. 4A, once registration is confirmed (block 408), the patient is draped (block 410). Typically, draping involves covering the patient and surrounding areas with a sterile barrier to create and maintain a sterile field during the surgical procedure. The purpose of draping is to eliminate the passage of microorganisms (e.g., bacteria) between non-sterile and sterile areas. At this point, conventional navigation systems require that the non-sterile patient reference is replaced with a sterile patient reference of identical geometry location and orientation. Numerous mechanical methods may be used to minimize the displacement of the new sterile patient reference relative to the non-sterile one that was used for registration but it is inevitable that some error will exist. This error directly translates into registration error between the surgical field and pre-surgical images. In fact, the further away points of interest are from the patient reference, the worse the error will be.

[0062] Upon completion of draping (block 410), the patient engagement points are confirmed (block 412) and then the craniotomy is prepared and planned (block 414).

[0063] Upon completion of the preparation and planning of the craniotomy (block 414), the craniotomy is cut and a bone flap is temporarily removed from the skull to access the brain (block 416). Registration data is updated with the navigation system at this point (block 422).

[0064] Next, the engagement within craniotomy and the motion range are confirmed (block 418). Next, the procedure advances to cutting the dura at the engagement points and identifying the sulcus (block 420).

[0065] Thereafter, the cannulation process is initiated (block 424). Cannulation involves inserting a port into the brain, typically along a sulci path as identified at 420, along a trajectory plan. Cannulation is typically an iterative process that involves repeating the steps of aligning the port on engagement and setting the planned trajectory (block 432) and then cannulating to the target depth (block 434) until the complete trajectory plan is executed (block 424).

[0066] Once cannulation is complete, the surgeon then performs resection (block 426) to remove part of the brain and/or tumor of interest. The surgeon then decannulates (block 428) by removing the port and any tracking instruments from the brain. Finally, the surgeon closes the dura and completes the craniotomy (block 430). Some aspects of FIG. 4A are specific to port-based surgery, such as portions of blocks 428, 420, and 434, but the appropriate portions of these blocks may be skipped or suitably modified when performing non-port based surgery.

[0067] Referring now to FIG. 5, a registration process, similar to that which may be used in block 456 of FIG. 4B, is shown for creating a common coordinate space composed of amalgamated virtual and actual coordinate spaces. The common coordinate space may be composed of both an actual coordinate space and a virtual coordinate space, where the actual coordinate space contains actual objects that exist in space and the virtual coordinate space contains virtual objects

that are generated in a virtual space. The common coordinate space containing both the aforementioned actual and virtual objects may be produced as follows.

[0068] In order to form a common coordinate space composed of the amalgamated virtual and actual coordinate spaces, the two spaces may be coupled with a "common reference coordinate", having a defined position that can be located in both the actual and virtual coordinate spaces. An example of such a common reference coordinate 500 and actual and virtual coordinate space origins, 510 and 520, are provided in FIG. 5. Once the common reference coordinate position is acquired in both spaces they can be used to correlate the position of any point in one coordinate space to the other. The correlation is determined by equating the locations of the common reference coordinate in both spaces and solving for an unknown translation variable for each degree of freedom defined in the two coordinate spaces. These translation variables may then be used to transform a coordinate element of a position in one space to an equivalent coordinate element of a position in the other. An example correlation can be derived from the diagram in FIG. 5 depicting a two dimensional coordinate space. In FIG. 5, the common reference coordinates 500 position is determined relative to the actual coordinate space origin 510 and the virtual coordinate space origin 520. The common reference coordinates positions can be derived from the diagram as follows:

$$(X_{cra}, Y_{cra}) = (55, 55)$$

and

$$(X_{crv}, Y_{crv}) = (-25, -45)$$

[0069] Where the subscript "cra" denotes the common reference coordinate position relative to the actual coordinate space origin and the subscript "crv" denotes the common reference coordinate position relative to the virtual coordinate space origin. Utilizing a generic translation equation describing any points $((Y_a, X_a)$ and (Y_v, X_v)), where the subscript "a" denotes the coordinates of a point relative to

the actual coordinate space origin 510, and the subscript "v" denotes the coordinate of a point relative to the virtual coordinate space origin 520, we can equate the individual coordinates from each space to solve for translation variables ((Y_T , X_T)), where the subscript "T" denotes the translation variable as shown below.

$$Y_a = Y_v + Y_T$$

$$X_a = X_v + X_T$$

[0070] Now substituting the derived values of our points from FIG. 5 we can solve for the translation variable.

$$55 = -45 + Y_T$$

$$100 = Y_T$$

and

$$55 = -25 + X_T$$

$$80 = X_T$$

[0071] Utilizing this translation variable, any point ((i.e. (Y_v , X_v))) in the virtual coordinate space may be transformed into an equivalent point in the actual coordinate space through the two generic transformation equations provided below. It should be noted that these equations can be rearranged to transform any coordinate element of a position from the actual coordinate space into an equivalent coordinate element of a position in the virtual coordinate space as well.

$$Y_a = Y_v + 100$$

and

$$X_a = X_v + 80$$

[0072] This will allow both the virtual and actual objects respective positions to therefore be defined in both the actual and virtual coordinate spaces simultaneously. Once the correlation is determined the actual and virtual coordinate

spaces become coupled and the result in the formation of a common coordinate space that may be used to register virtual and actual objects. It should be noted that these virtual and actual objects can be superimposed in the common coordinate space (e.g., they can occupy the same coordinates simultaneously).

[0073] According to one aspect of the present application, using a handheld three dimensional (3D) surface scanner, such as the 3D scanner 309, a full or nearly full array scan of a patient's surface can be achieved, as opposed to 1D line or a 2D grid of point depths with the conventional approaches. This may provide an order of magnitude greater point information than the surface tracing methods used in conventional approaches. Using a dense point cloud provided by the 3D scanner 309, this point cloud may be mapped to the extracted surface of the MR/CT volumetric scan data (e.g., the pre-op image data 354) to register the patient's physical position to the volumetric data. The tracking system 321 (e.g., part of the navigation system 205) has no reference to the point cloud data. Therefore a tool or marker may be provided that is visible to both the tracking system 321 and the 3D scanner 309. A transformation between the tracking system's camera space and the 3D scanner space may be identified so that the point cloud provided by the 3D scanner 309 and the tracking system 321 can be registered to the patient space. A transformation similar to or based on the transformation described in connection with FIG. 5 may be used.

[0074] One aspect of the present application provides for registration of the patient's current surgical position to the imaging data by placing a series of markers on the patient's head that are visible by a handheld 3D scanner, such as the 2D scanner 309. Following the placement of these targets, the 3D scanner is used to collect a surface extraction of the head where the location of the targets can be identified in the 3D scanner space. To map this space to the imaging data space, the extracted surface can be fitted to the imaging volume surface extraction. Then, the marker locations can be identified in the imaging space and shown to the user for touch point data collection to identify the markers in the medical navigation

space. In another example, the markers may be directly observable by the tracking system.

[0075] The approach of the present application may be similar to touch point fiducial registration but eliminates the need for tedious placement and imaging of the patient with fiducial markers that are visible in the imaging modality during preoperative imaging. In another example, following the registration of the 3D scanner extracted surface and the imaging volume extracted surface, anatomical features in the imaging data can be automatically extracted. Then, these locations can be identified by touching the navigation tool to each location.

[0076] The approaches mentioned above may be useful for recover points, pin-less registration, continuous pinless registration. Further, a patient may not need a scan on the day of the medical procedure resulting in eliminating some of the radiation dosage. Placement of the markers on the patient may be done in the operating room or by technical team preparing the patient for surgery. The process may also be performed backwards (e.g., take fiducials from an MR scan & project location onto patient). The markers or fiducial stickers could also be a line, other material, or any suitable fiducial marker.

[0077] Referring to FIG. 6, a flow chart is shown illustrating a method 600 of registering a patient for a medical procedure with a medical navigation system, such as the medical navigation system 205. Referring to FIG. 7, another flow chart is shown illustrating the method 600 of registering a patient for a medical procedure with a medical navigation system in a more graphical fashion. FIGS. 6 and 7 will now be discussed concurrently.

[0078] The medical navigation system 205 may be used for registering a patient for a medical procedure with the medical navigation system using fiducial markers. The fiducial markers may be placed on the patient prior to a 3D scan and the fiducial markers may each have a target for use with a tool, such as a pointer

tool. In another example, the fiducial markers may be directly observable by the tracking system and no pointer tool may be needed. In another example, the markers may be directly observable by the tracking system and may be attached to a Mayfield clamp. The medical navigation system may include a 3D scanner, such as 3D scanner 309, a tracking system, such as tracking system 321, a display, such as display 311, and a controller (e.g., processing unit 300) electrically coupled to the 3D scanner 309, the tracking system 321, and the display 311. The controller may include a processor (e.g., processor 302) coupled to a memory (e.g., memory 304) and the controller may be configured to execute the method 600.

[0079] The method 600 may be a method of registering a patient for a medical procedure with a medical navigation system using fiducial markers visible by a three dimensional (3D) scanner of the medical navigation system. The fiducial markers may be placed on the patient prior to a 3D scan and the fiducial markers may each have a target usable with a pointer tool visible by a tracking system of the medical navigation system.

[0080] At a first block 602, fiducial markers are placed on the patient, indicated by reference 612 in FIG. 7. In one example, the patient has at least three fiducial markers placed on the patient after the previous scan during which the preoperative image data was saved but prior to the 3D scan. In the example shown in FIG. 7, four fiducial markers have been placed on the patient's head. In another example, at least three fiducial markers may be placed on the patient on an area of the patient corresponding to the saved medical image data (e.g., if the saved medical image data pertains to a patient's head, the fiducial markers may be placed in an appropriate area of the head where the medical procedure will be performed). In one example, the fiducial markers include fiducial stickers. The fiducial markers may include a retro-reflective area visible by the 3D scanner and the preoperative image data, indicated by reference 614 in FIG. 7, does not have to include the fiducial markers. In one example, the fiducial markers may each have a target that is visible by the tracking system. In one example, the target includes a

divot for receiving the tip of the pointer, indicated by reference 615 in FIG. 7.

[0081] At a second block 604, the method 600 generates and receives 3D scan data from the 3D scanner 309 representative of a 3D scan of at least a portion of the patient. The 3D scan includes the fiducial markers visible by the 3D scanner. The 3D scanner extracted surface is indicated by reference 616 in FIG. 7.

[0082] Next, at a block 606, the method 600 loads saved medical image data, which includes saved medical data including preoperative image data saved during a previous scan of at least a portion of the patient. At this stage, or later one, the method 600 may also extract an imaging surface from the imaging volume of the saved medical image data, indicated by reference 618 in FIG. 7. In one example, the saved medical image data includes at least one of magnetic resonance (MR) coordinates taken from a MR scan or computed tomography (CT) coordinates taken from a CT scan. The preoperative image data may include data from at least one of computerized tomography (CT) images, magnetic resonance imaging (MRI) images, positron emission topography (PET) images, contrast-enhanced CT images, X-ray images, or ultrasound images.

[0083] Next at a block 608, the method 600 generates and receives position data from the tracking system based on the target for each of the fiducial markers. In the example where the target includes a divot for a pointer tool, the generating and receiving position data from the tracking system includes a location of the pointer tool when a tip of the pointer tool is placed on the target for each of the fiducial markers, indicated by reference 620 in FIG. 7. In other words, the surgeon or technician performing the method 600 holds the pointer tool with a tip of the pointer tool in each of the divots so that the tracking system can register the position of the pointer tool by observing the positions of the markers on the pointer tool, and consequently the position of the target is known. While the example of an optical tracking system is used, the tracking system may include any one of an optical tracking system, an electromagnetic tracking system, and a radio frequency

tracking system with appropriate markers being substituted.

[0084] Next, at a block 610, the method 600 performs a transformation mapping to create a single unified virtual coordinate space based on the 3D scan data, the position data, and the medical image data, and updates registration data of the medical navigation system based on the transformation mapping. In one example, the transformation mapping first includes a surface matching calculation using a 3D scanner point cloud based on the 3D scan data and at least one of the MR and CT coordinates, indicated by reference 622 in FIG. 7. The transformation mapping may further include registering the tracking system to create a single unified virtual coordinate space for the 3D scanner point cloud, at least one of the MR and CT coordinates, and the position data from the tracking system based on the locations of the markers, for example when the tip of the pointer tool is placed on the targets. In one example, registering the tracking system to the aligned surfaces from the 3D scanner point cloud based on the 3D scan data and at least one of the MR and CT coordinates may be performed using a point wise correspondence approach.

[0085] While the blocks of FIG. 6 are shown in a particular order for the purpose of example, the blocks 602, 604, 606, 608, and 610 need not be executed in the exact order shown and suitable modifications may be made to this order, an example of which is shown below in connection with FIG. 8.

[0086] Referring now to FIG. 8, another flow chart is shown illustrating another example method 800 of registering a patient for a medical procedure with a medical navigation system, similar to the method 600 discussed in connection with FIGS. 6 and 7.

[0087] At a first block 802, magnetic resonance (MR) image scan data is collected. The collected MR scan image data may be similar to the saved medical image data loaded at block 606 of method 600.

[0088] Next, at a block 804, a surface extraction is performed from the MR data to generate a point cloud, which may be part of the transformation mapping performed at block 610 in method 600.

[0089] Next, at a block 806, a point cloud of the patient and reference array (e.g., pointer shown at 615 in FIG. 7) may be generated. The point cloud generation may be performed using data generated by the handheld 3D scanner 309, discussed below in connection with FIGS. 9-15.

[0090] Next, at a block 808, the location of the reference array in the point cloud is identified. In one example, the medical navigation system 205 may have stored data that allows the system to recognize the reference array, such as the pointer, in an image scanned by the 3D scanner 309. In one example, the reference array may have three dimensional features that are recognizable in an image scanned by the 3D scanner 309, allowing the medical navigation system 205 to find the reference array in the image.

[0091] Next, at a block 810, the location of the navigation system visible markers may be determined in the point cloud. In one example, once the medical navigation system has determined the location of the reference array (e.g., at block 808), finding the visible markers on the reference array may be a fairly simple task since the reference array has a spatial configuration known by the medical navigation system 205.

[0092] Next, at a block 812, the transformation between the navigation marker locations in the 3D scanned point cloud and the navigation marker locations seen by the navigation system may be calculated.

[0093] Next, at a block 814, the navigation space transform may be applied to the 3D point cloud to bring points from the 3D scanner 309 space into the

navigation space.

[0094] Finally, at a block 816, the MR extracted surface is registered to the 3D scanner 309 point cloud. Blocks 812, 814, and 816 may be similar to and/or part of block 610 performed in method 600. In one example, the methods 600, 700, and/or 800 may employ an Iterative Closest Point (ICP) approach to calculate the registration transformation, such as that detailed in "A Method for Registration of 3-D Shapes" by Paul J. Besl and Neil D. McKay, IEEE Transactions on Pattern Analysis and Machine Intelligence, pp. 239-256, VOL. 14, No. 2, February 1992, the entirety of which is hereby incorporated by reference. However, any suitable approach may be used depending on the design criteria of a particular application.

[0095] The method 600 shown in FIG. 6 and FIG. 7 and method 800 shown in FIG. 8 is shown as an example to illustrate the context of the 3D scanner 309, which is described in more detail below in connection with FIGS. 9-15. However, any suitable method may be used that employs the scanner discussed below.

[0096] Referring now to FIG. 9, a left side view of a handheld scanner 900 is shown. FIG. 10 shows illustrates a front view of the handheld scanner 900. FIG. 11 illustrates a rear view of the handheld scanner 900. FIG. 12 illustrates a top view of the handheld scanner 900. FIG. 13 illustrates a solid perspective view showing the left side of the handheld scanner 900. FIG. 14 illustrates a solid perspective view showing the right side of the handheld scanner 900. FIG. 15 illustrates a solid perspective view showing the left side of the handheld scanner 900 being held by a hand. FIGS. 9-15 are now discussed concurrently.

[0097] FIGS. 9-15 show a handheld scanner 900. In one example, the handheld scanner 900 may be used for registering a patient for a medical procedure with a medical navigation system, such as the medical navigation system 205. The handheld scanner 900 has a housing 902. The housing 902 may have a main body portion 904 having a first end 906 and a second end 908. The housing 902 may further have a handle portion 910 having a first end 912 and a second end

914. The second end 914 may be attached to the second end 908 of the main body portion 902 with a bridge portion 916.

[0098] Internally, the handheld scanner 900 may have a circuit board contained in the housing 902, a processor connected to the circuit board, an optional power supply module connected to the circuit board, a light emitter 926 contained in the main body portion 904 and connected to the circuit board, a light detector 924, 928 contained in the main body portion 904 and connected to the circuit board, and a button 918 connected to the circuit board and located on the second end 914 of the handle portion 910. The button 918 is engageable by a thumb of a hand 920 holding the handle portion 910 (see FIG. 15). In one example, the button 918 is non-latching and the scanner 900 is activated to scan while the button 918 is held in a depressed position. In another example, the button 918 is latching and is engaged and disengaged with a press of the thumb. While the inside of the scanner 900 is not shown, the scanner 900 may have a control and processing unit having a similar structure to the unit 300 shown in FIG. 3 including a processor, memory, communications interface, I/O interface, storage, the power supply module, the button 918, the light emitter 926, and the light detector 924, 928, as well as other suitable components.

[0099] The handheld scanner 900 has a number of features on its underside, visible in FIGS. 13-15. In one example, the features may include a clear window or cutout where the light emitter 926, the light detector 924, 928, and a visible light projector 922 are mounted. The visible light projector 922 may be contained in the main body portion 904 and connected to the circuit board for projecting visible light on the patient allowing a user of the handheld scanner 900 to aim the handheld scanner 900. In one example, the visible light projector 922 includes a laser pointer showing a center of a field of view of the scanner. In another example, the visible light projector 922 displays a shape on the patient that indicates a direction of scan of the handheld scanner 900 and a field of vision of the handheld scanner 900. While two examples of the visible light projector are

provided, any suitable visible light projector may be used that aids the user of the handheld scanner 900 to aim the scanner 900 while performing a scan.

[00100] Light emitter 926 may project light onto a subject or patient and light detectors 924, 928 may detect light reflected from the surface of the patient or subject. In one example, the handheld scanner 900 may be an infrared (IR) based scanner with the light emitter 926 emitting IR light and the light detectors 924, 928 detecting IR light. In another example, the scanner 900 may be a structured light scanner. In another example, the scanner 900 may be a 3 dimensional (3D) scanner. While some examples are provided, light emitter 926 may be configured to emit any suitable band of light and light detectors 924, 928 may be configured to detect any correspondingly suitable bands of light according to the design criteria of a particular application. For example, light emitter 926 may emit visible light, light detector 924 may detect visible light, and light detector 928 may detect IR light. Either of light detectors 924, 928 may also function as cameras, depending on the design criteria of a particular application. In one example, one of the light detectors 924,928 may be a digital camera and the other may be a depth sensor.

[00101] Further, as shown in FIGS. 13-15 by way of example, 922 represents a visible light projector in a particular location and having a particular shape, 926 represents a light emitter in a particular location and having a particular shape, and 924,928 represent light detectors in particular locations and having a particular shape. However, the visible light projector 922, the light emitter 926, and the light detectors 924,928 may be located in any suitable position on scanner 900 and may have any suitable shape, according to the design criteria of a particular application.

[00102] In one example, the handle portion 910 and the body portion 904 may be substantially parallel (e.g., within 10 degrees) and the bridge portion 916 is substantially perpendicular (e.g., within 10 degrees) to the handle portion 910 and the body portion 904.

[00103] The handheld scanner 900 may further have a communications port

located in a cut-out of the housing and connected to the circuit board. In one example, the communications port may include a universal serial bus (USB) port. In one example, the communications port may include a permanently attached cable 930, shown by way of example in FIGS. 9-15. In the example shown in FIGS. 9-15, the cable 930 is attached to the first end 912 of the handle portion 910. Where a communications port for receiving a removable communications cable is placed on the scanner 900, the port may be located at the first end 912 of the handle portion 910 or any other suitable location.

[00104] In another example, the handheld scanner 900 may have a battery coupled to the power supply module and located in the housing 902 and a wireless communications component located in the housing and connected to the circuit board. In this example, the handheld scanner 900 may be wireless and may communicate wirelessly with a computer, such as communications interface 310 of control and processing unit 300 of the medical navigation system 205. In one example, the wireless communications component may operate using Bluetooth, WiFi, and Zigbee, or any other suitable existing or yet to be developed wireless communications standard. In the example shown in FIGS. 9-15, the handheld scanner 900 has a physical cable 930 that provides power and communications to the handheld scanner 900. In this example, the power supply module located in the housing 902 may serve to relay the power provided over the cable 930 to the circuit board and optionally regulate and/or control the power provided to the circuit board from the cable 930, however the power supply module is optional and may not be needed where the cable 930 is configured to directly supply power to all electronics of the handheld scanner 900.

[00105] Additionally, the handheld scanner 900 may have indicators 930, 932 located on the front side. In one example, indicators 930, 932 may be lights such as light emitting diodes (LEDs). In one example, indicator 930 illuminates to indicate a power-on mode of the scanner 900 and indicator 932 illuminates to indicate that the scanner 900 is currently operational and is in the progress of

scanning. While examples of the indicators 930, 932 are provided, any number of indicators may be used to indicate any desired operational states of the scanner 900 depending on the design criteria of a particular application.

[00106] The specific embodiments described above have been shown by way of example, and it should be understood that these embodiments may be susceptible to various modifications and alternative forms. It should be further understood that the claims are not intended to be limited to the particular forms disclosed, but rather to cover modifications, equivalents, and alternatives falling within the spirit and scope of this disclosure.

We Claim:

1. A handheld scanner for use in registering a patient for a medical procedure with a medical navigation system, comprising:

a housing having:

a main body portion having a first end and a second end; and

a handle portion having a first end and a second end with the second end attached to the second end of the main body portion with a bridge portion;

a circuit board contained in the housing;

a processor connected to the circuit board;

a light emitter contained in the main body portion and connected to the circuit board;

a light detector contained in the main body portion and connected to the circuit board; and

a button connected to the circuit board and located on the second end of the handle portion, the button engageable by a thumb of a hand holding the handle portion.

2. The handheld scanner according to claim 1, wherein the button is non-latching and the scanner is activated to scan while the button is held in a depressed position.

3. The handheld scanner according to claim 1, wherein the button is latching and is engaged and disengaged with a press of the thumb.

4. The handheld scanner according to any one of claims 1-3, further comprising:

a power supply module connected to the circuit board.

5. The handheld scanner according to any one of claims 1-3, further comprising:

a visible light projector contained in the main body portion and connected to the circuit board and for projecting visible light on the patient allowing a user of the handheld scanner to aim the handheld scanner.

6. The handheld scanner according to claim 5, wherein the visible light projector includes a laser pointer showing a center of a field of view of the scanner.

7. The handheld scanner according to claim 5, wherein the visible light projector displays a shape on the patient that indicates a direction of scan of the handheld scanner and a field of vision of the handheld scanner.

8. The handheld scanner according to any one of claims 1-7, wherein the handheld scanner is an infrared (IR) based scanner with the light emitter emitting IR light and the light detector detecting IR light.

9. The handheld scanner according to any one of claims 1-8, wherein the scanner is a structured light scanner.

10. The handheld scanner according to any one of claims 1-9, wherein the scanner is a 3 dimensional (3D) scanner.

11. The handheld scanner according to claim 1, wherein the handle portion and the body portion are substantially parallel and the bridge portion connects the handle portion and the body portion.

12. The handheld scanner according to any one of claims 1-11, further comprising:

a communications port located in a cut-out of the housing and connected to the circuit board.

13. The handheld scanner according to claim 12, wherein the communications

port includes a universal serial bus (USB) port.

14. The handheld scanner according to any one of claims 1-11, further comprising:

a cable connected to the circuit board and protruding from the first end of the handle portion.

15. The handheld scanner according to any one of claims 4, further comprising:
a battery coupled to the power supply module and located in the housing;
and

a wireless communications component located in the housing and connected to the circuit board.

16. The handheld scanner according to claim 15, wherein the wireless communications component operates using one of Bluetooth, WiFi, and Zigbee, and communicates with a computer operating with a medical navigation system.

17. The handheld scanner according to any one of claims 1-16 wherein the light detector includes a distinct infrared (IR) sensor and a distinct digital camera.

18. The handheld scanner according to any one of claims 1-17, further comprising:

a first indicator light located on the housing and illuminating to indicate a power-on mode of the handheld scanner.

19. The handheld scanner according to any one of claims 1-18, further comprising:

a second indicator light located on the housing and illuminating to indicate a scanning mode of the handheld scanner.

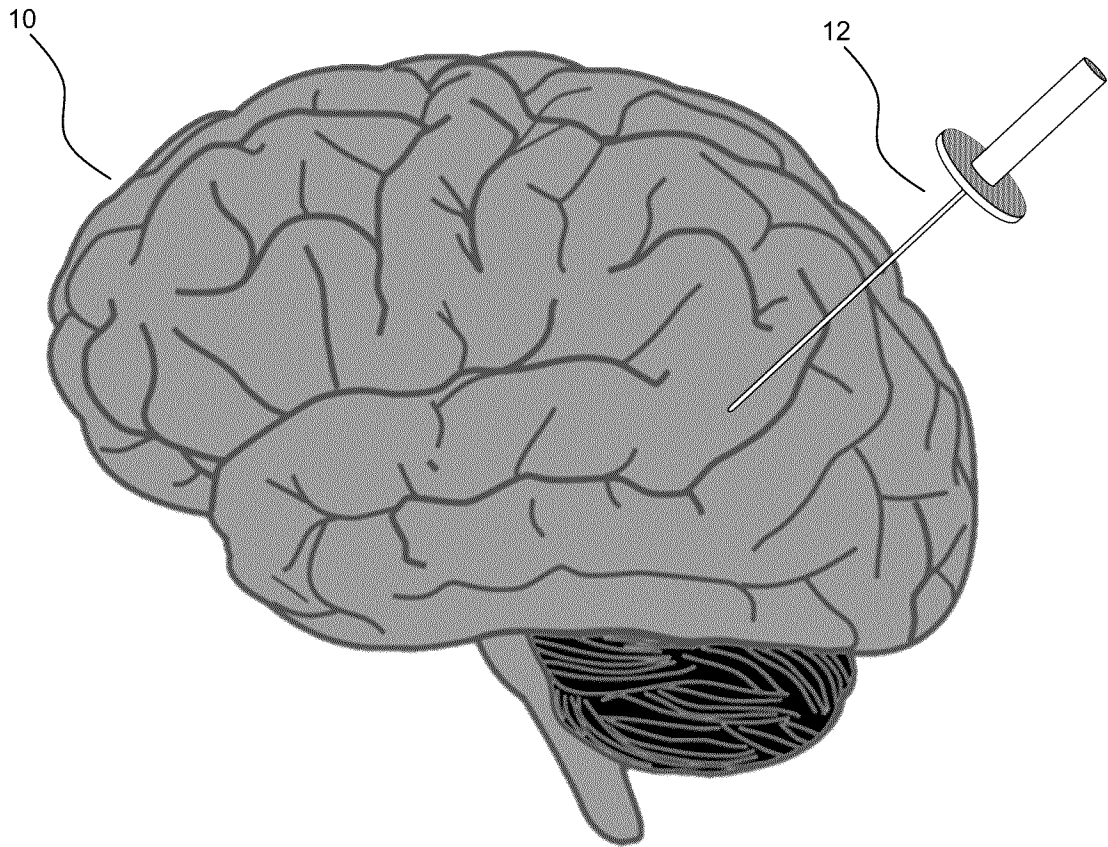


FIG. 1

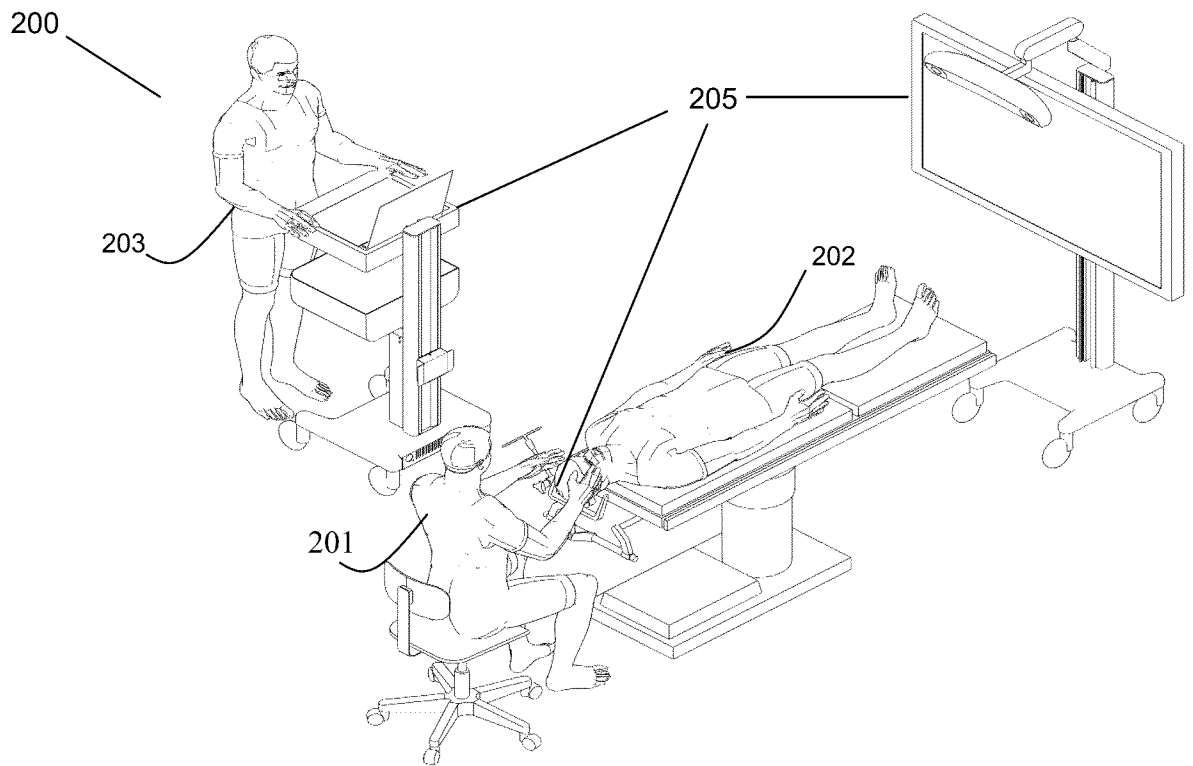


FIG. 2

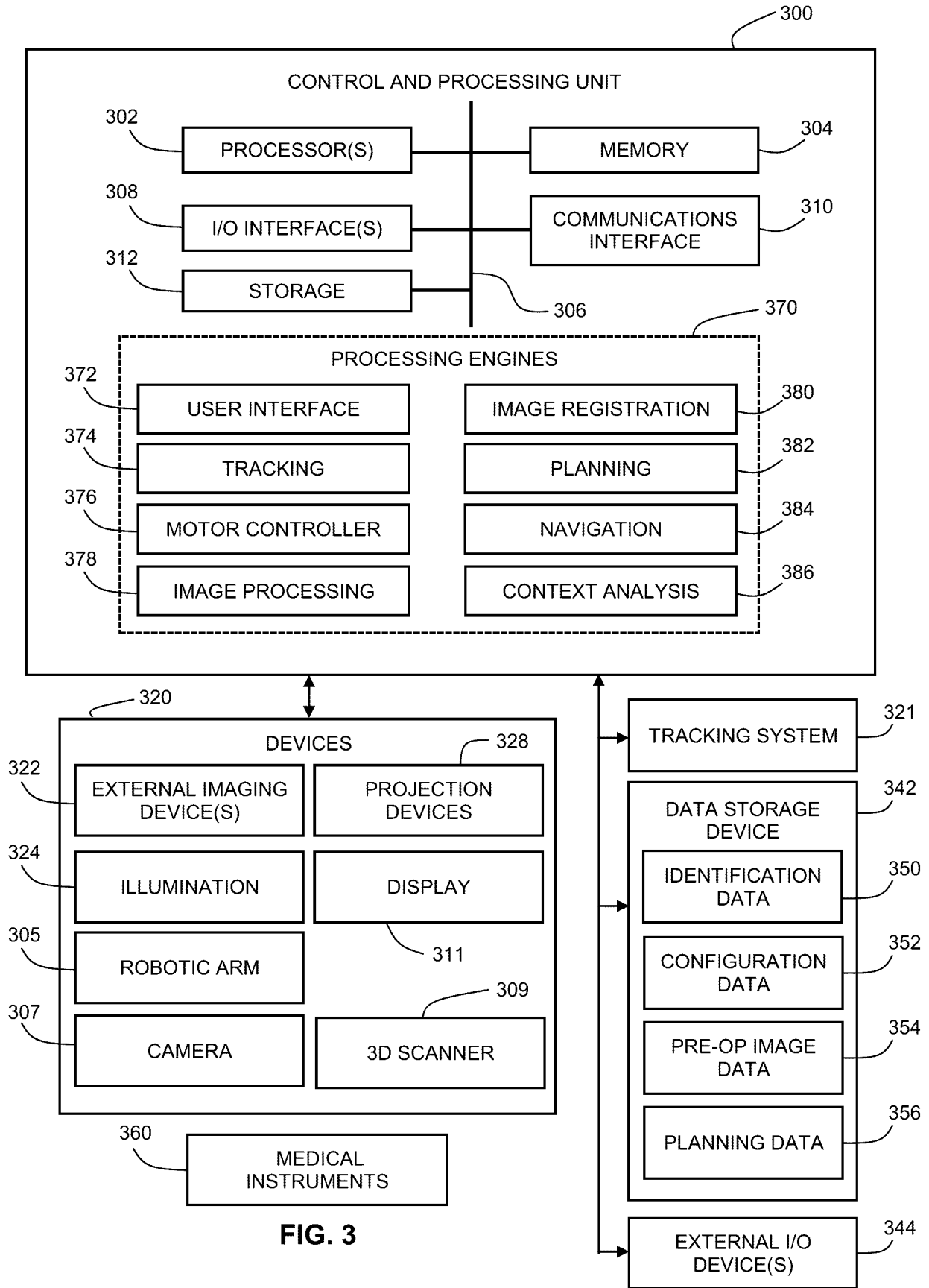


FIG. 3

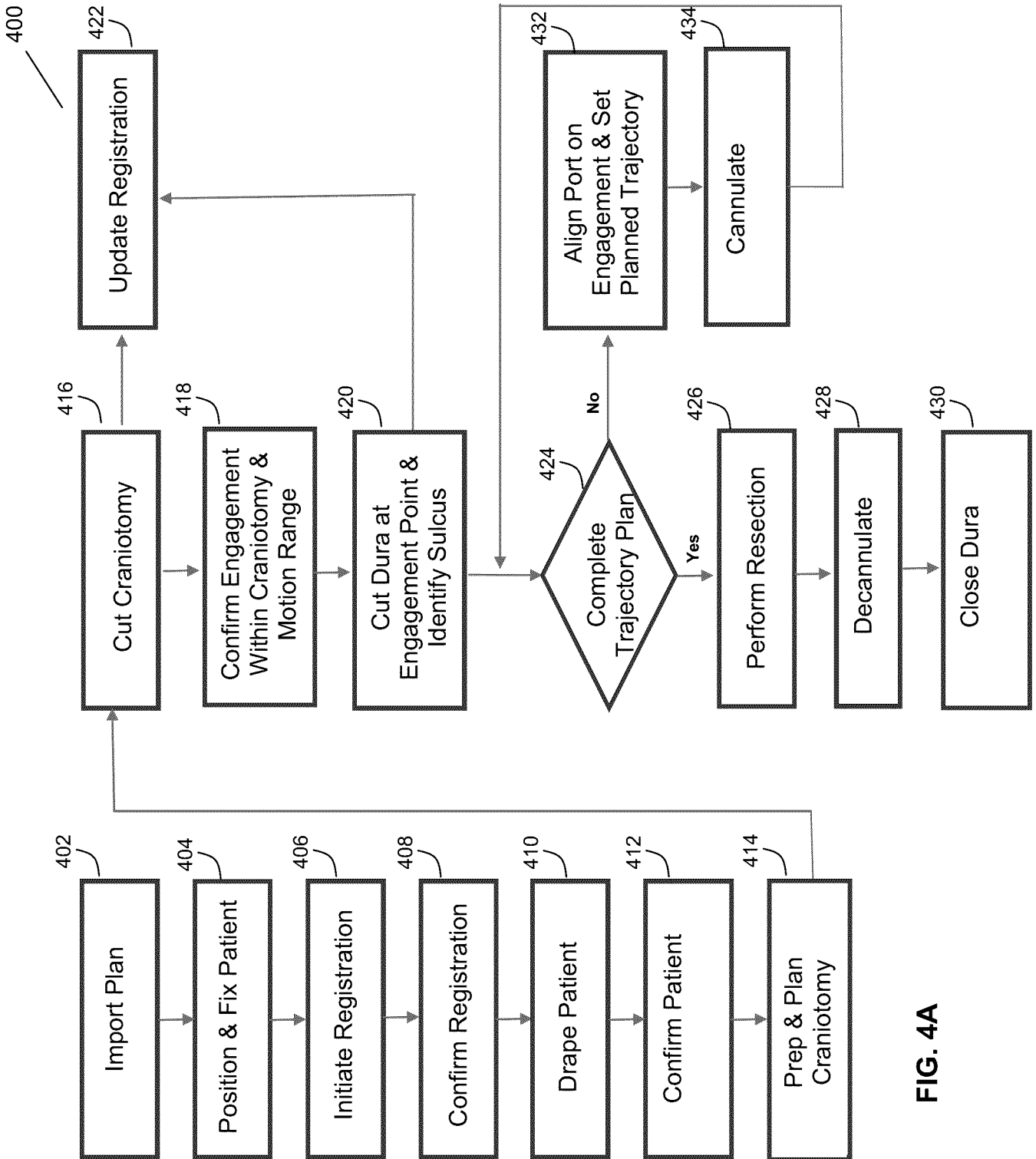


FIG. 4A

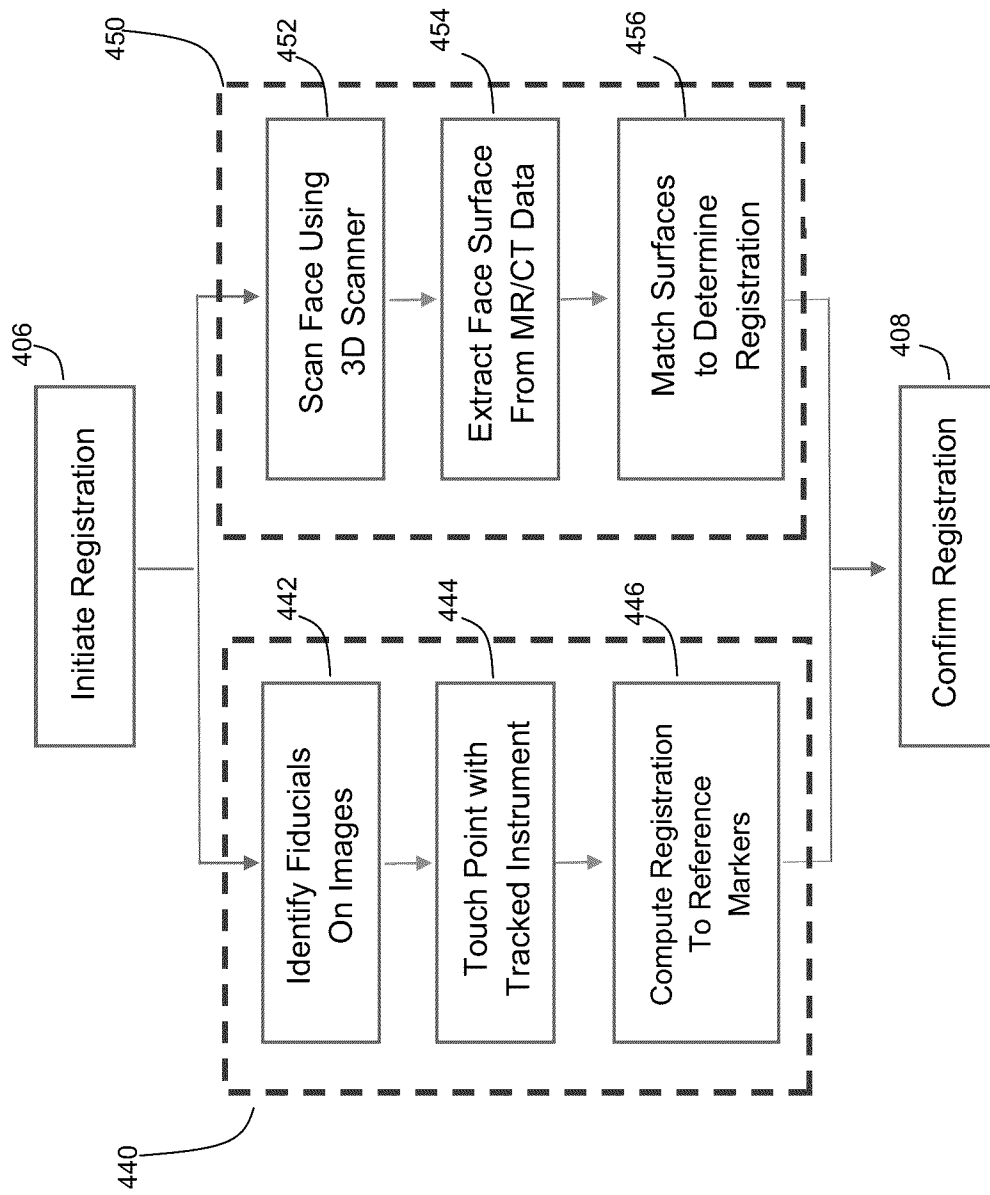


FIG. 4B

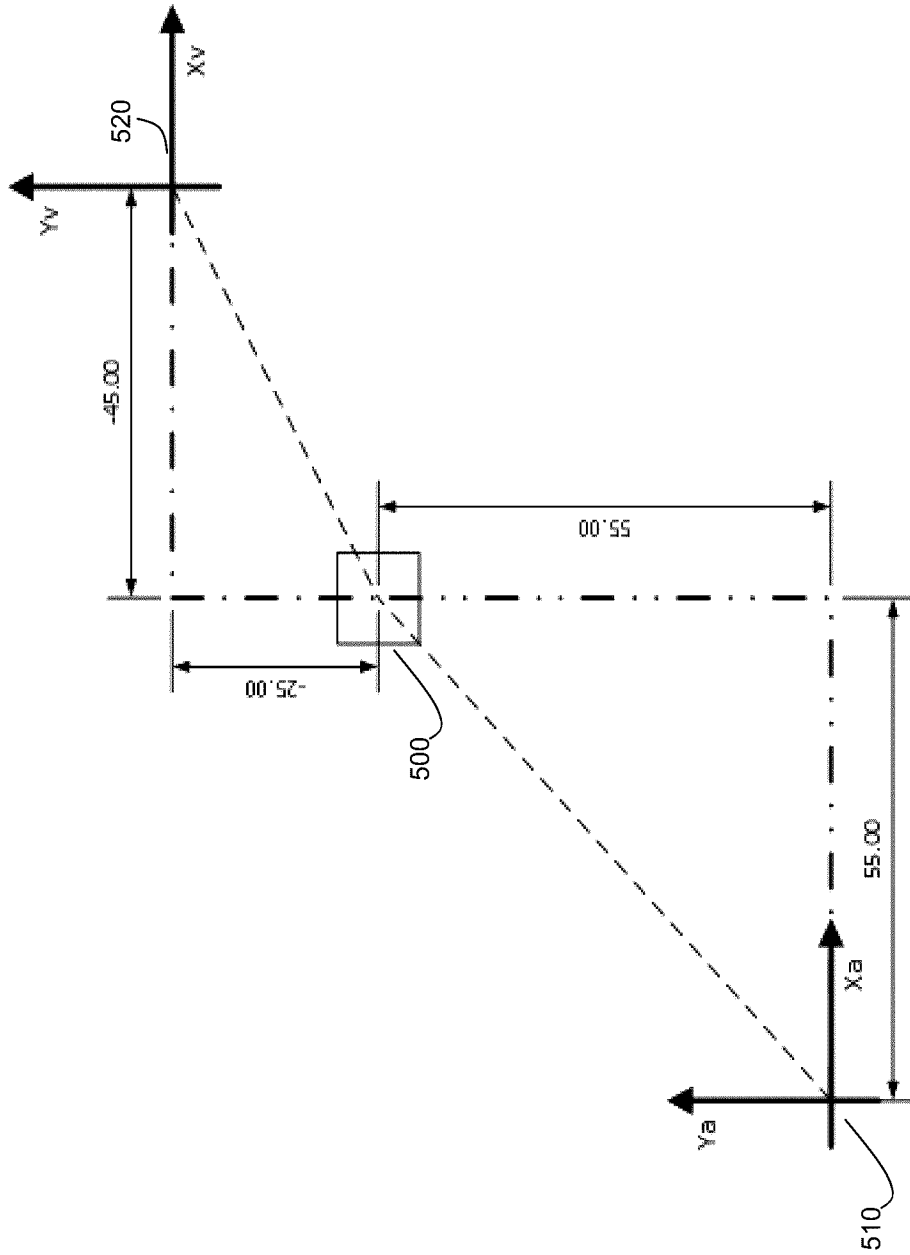


FIG. 5

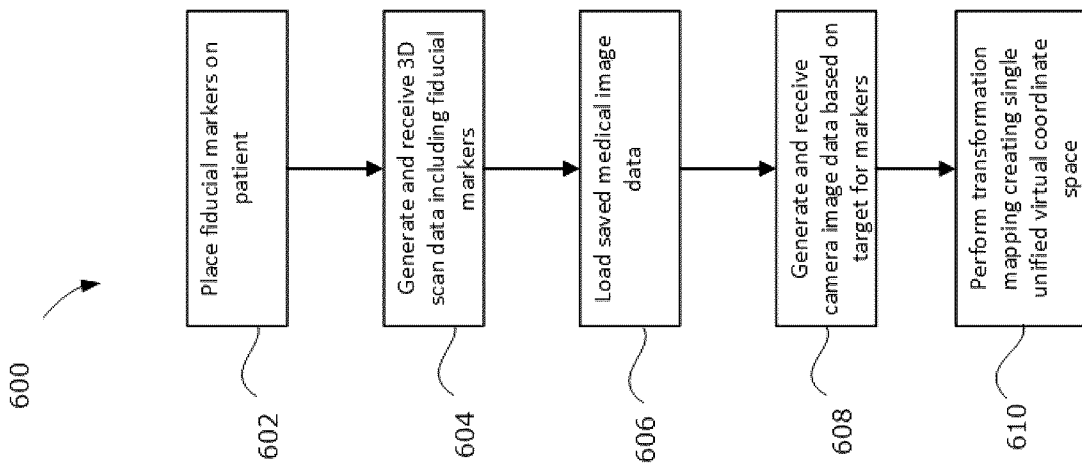


FIG. 6

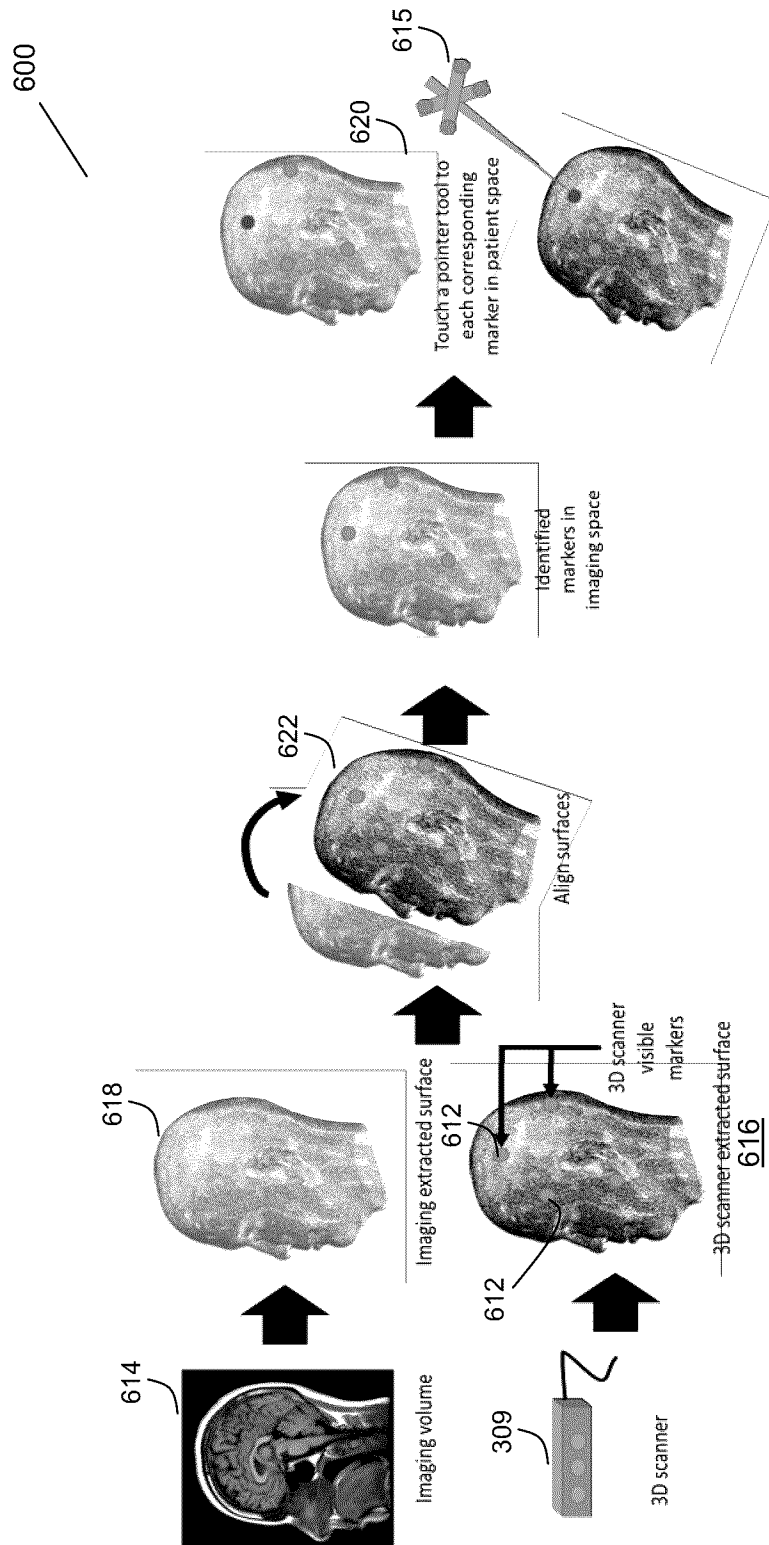
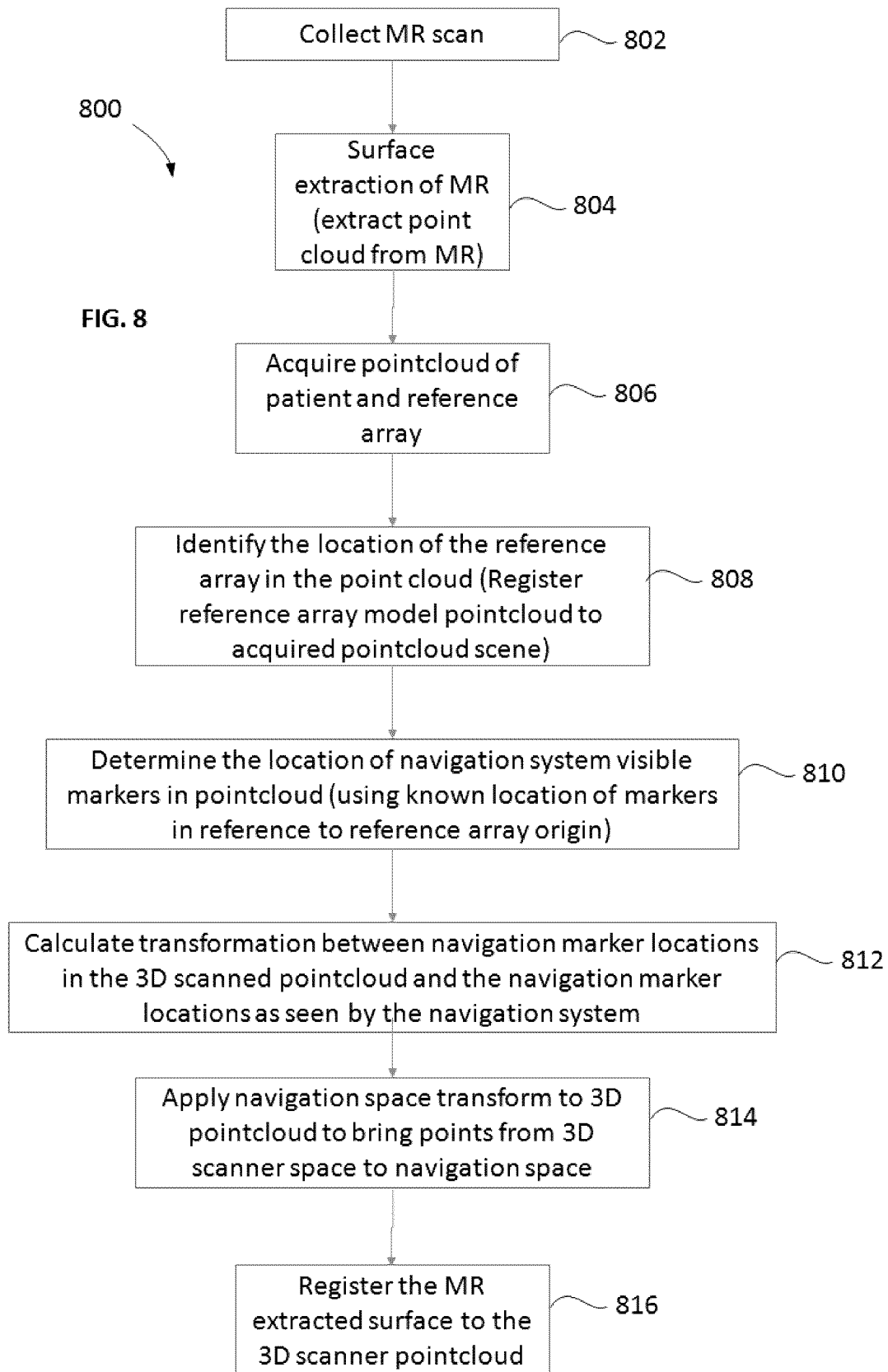


FIG. 7



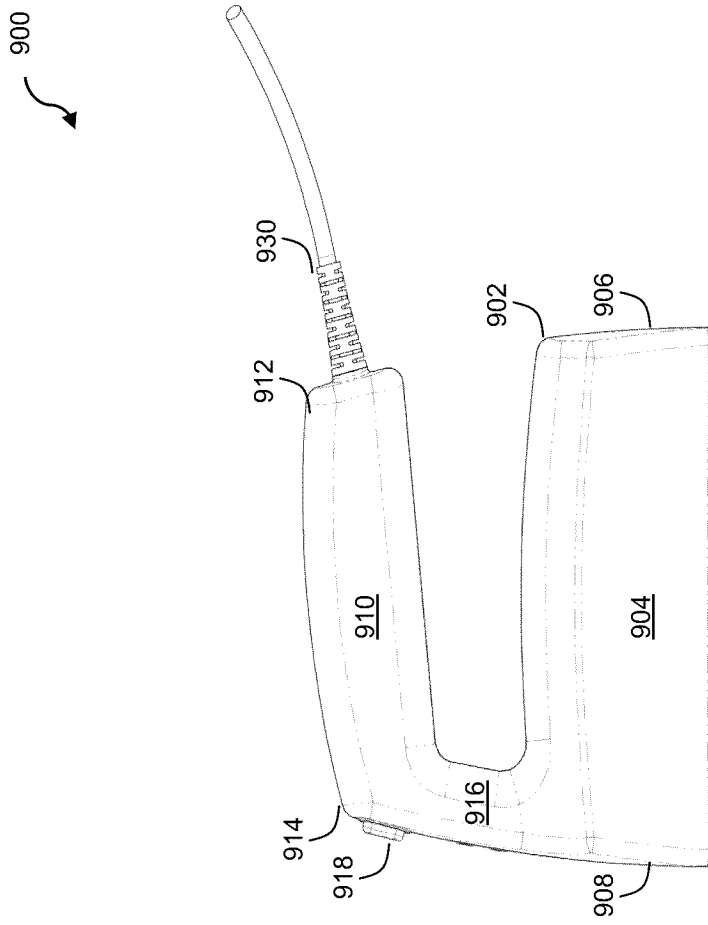


FIG. 9

900

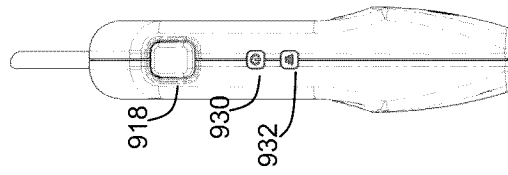


FIG. 10

900

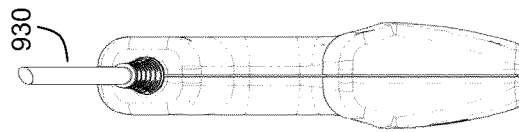


FIG. 11

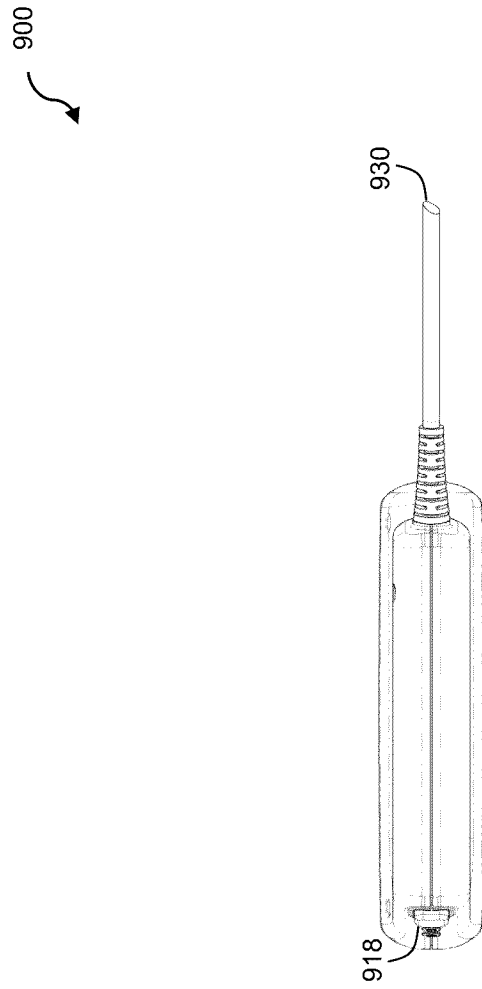


FIG. 12

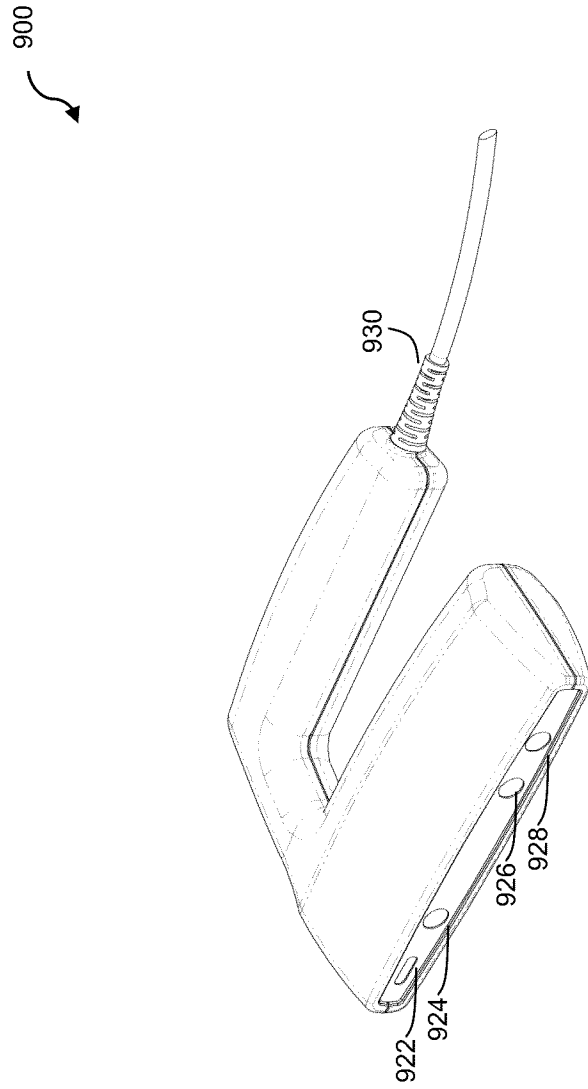


FIG. 13

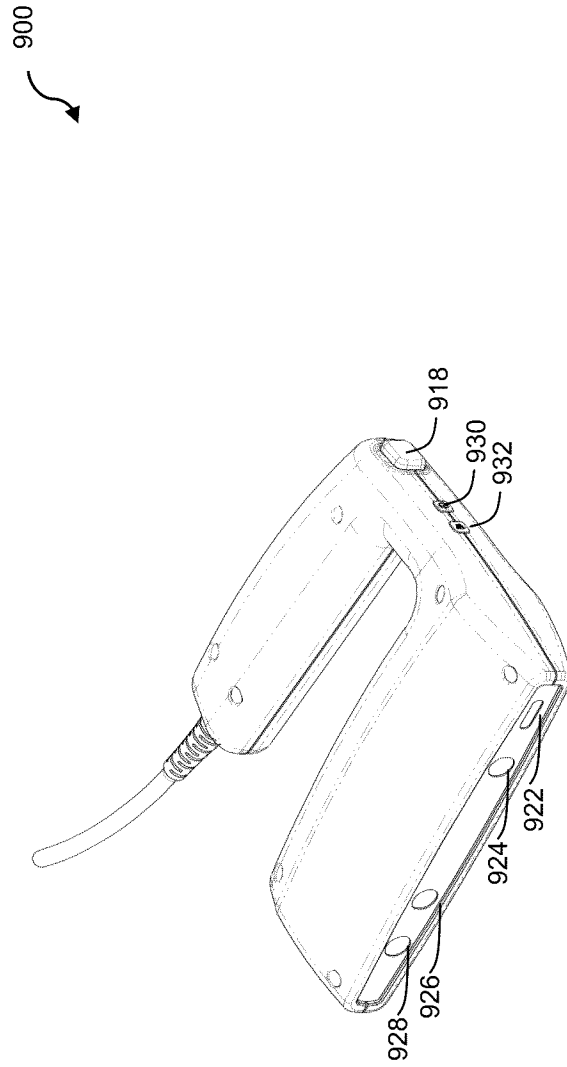


FIG. 14

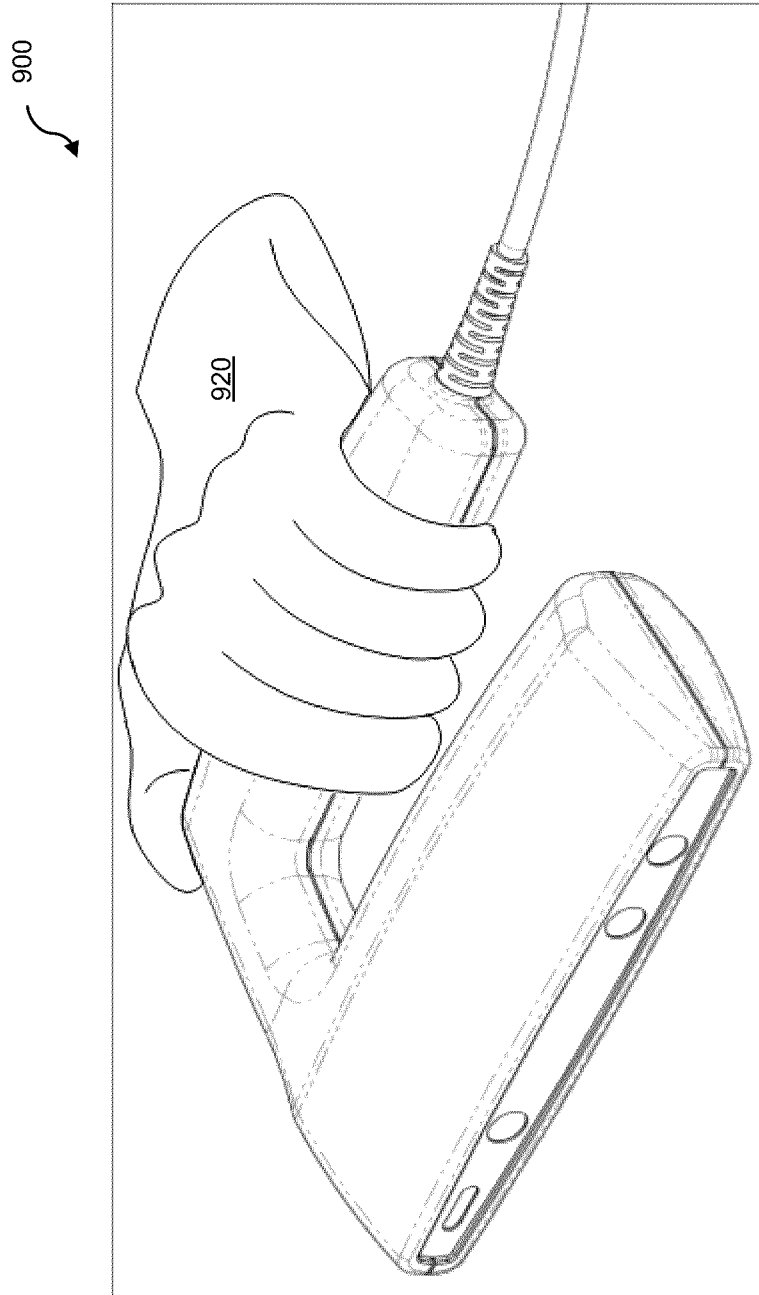


FIG. 15

INTERNATIONAL SEARCH REPORT

International application No.

PCT/CA2015/050717

A. CLASSIFICATION OF SUBJECT MATTER
 IPC: *A61B 5/055* (2006.01), *A61B 1/00* (2006.01), *A61B 1/04* (2006.01), *A61B 19/00* (2006.01)

According to International Patent Classification (IPC) or to both national classification and IPC

B. FIELDS SEARCHED

Minimum documentation searched (classification system followed by classification symbols)
 IPC (2006.01): A61B 5/055, A61B 1/00, A61B 1/04 in combination with keywords

Documentation searched other than minimum documentation to the extent that such documents are included in the fields searched

Electronic database(s) consulted during the international search (name of database(s) and, where practicable, search terms used)

Database: Questel Orbit.

Keywords: handheld scanner, detect/scan CT/MRI/IR/infrared

C. DOCUMENTS CONSIDERED TO BE RELEVANT

Category*	Citation of document, with indication, where appropriate, of the relevant passages	Relevant to claim No.
X	US 20150109643 A1 (AUGER R. W.) 23 April 2015 (23-04-2015) * Figs. 1-3, [0002], [0009]-[0022] *	1-19
A	CN 201967007 U (DENG R. et al.) 7 September 2011 (07-09-2011) * Entire document *	1-19
A	WO 2004063968 A2 (SCHMIDT M. S. et al.) 29 July 2004 (29-07-2004) * Entire document *	1-19

Further documents are listed in the continuation of Box C.

See patent family annex.

* Special categories of cited documents:	"T" later document published after the international filing date or priority date and not in conflict with the application but cited to understand the principle or theory underlying the invention
"A" document defining the general state of the art which is not considered to be of particular relevance	"X" document of particular relevance; the claimed invention cannot be considered novel or cannot be considered to involve an inventive step when the document is taken alone
"E" earlier application or patent but published on or after the international filing date	"Y" document of particular relevance; the claimed invention cannot be considered to involve an inventive step when the document is combined with one or more other such documents, such combination being obvious to a person skilled in the art
"L" document which may throw doubts on priority claim(s) or which is cited to establish the publication date of another citation or other special reason (as specified)	"&" document member of the same patent family
"O" document referring to an oral disclosure, use, exhibition or other means	
"P" document published prior to the international filing date but later than the priority date claimed	

Date of the actual completion of the international search
 07 January 2016 (07-01-2016)

Date of mailing of the international search report
 24 February 2016 (24-02-2016)

Name and mailing address of the ISA/CA
 Canadian Intellectual Property Office
 Place du Portage I, C114 - 1st Floor, Box PCT
 50 Victoria Street
 Gatineau, Quebec K1A 0C9
 Facsimile No.: 001-819-953-2476

Authorized officer

Andy Wong (819) 639-8351

INTERNATIONAL SEARCH REPORT
Information on patent family members

International application No.
PCT/CA2015/050717

Patent Document Cited in Search Report	Publication Date	Patent Family Member(s)	Publication Date
US2015109643A1	23 April 2015 (23-04-2015)	US2015109643A1 WO2015061406A1	23 April 2015 (23-04-2015) 30 April 2015 (30-04-2015)
CN201967007U	07 September 2011 (07-09-2011)	None	
WO2004063968A2	29 July 2004 (29-07-2004)	WO2004063968A2 CA2128217A1 CA2132899A1 CA2240377A1 CA2240377C CA2272467A1 CA2272467C CA2272583A1 CA2272583C CA2272585A1 CA2272585C CA2286768A1 CA2286768C CA2303301A1 CA2303301C CA2325527A1 CA2325527C CA2329828A1 CA2329828C CA2376683A1 CA2376683C CA2461335A1 CA2461335C CA2465892A1 CA2473083A1 CA2486535A1 CA2486535C CA2518471A1 CA2518471C CA2546289A1 CA2552239A1 EP0557508A1 EP0557508A4 EP0557508B1 EP0621971A1 EP0621971B1 EP0715273A2 EP0715273A3 EP0715273B1 EP0871138A2 EP0871138A3 EP0871138B1 EP0950226A1 EP0950226A4 EP0954826A1 EP0954826A4 EP0954826B1 EP0958546A1 EP0958546A4 EP0958546B1 EP0983570A1 EP0983570A4	29 July 2004 (29-07-2004) 22 July 1993 (22-07-1993) 18 February 1996 (18-02-1996) 26 June 1997 (26-06-1997) 25 June 2002 (25-06-2002) 04 June 1998 (04-06-1998) 29 March 2005 (29-03-2005) 04 June 1998 (04-06-1998) 23 October 2007 (23-10-2007) 04 June 1998 (04-06-1998) 10 August 2004 (10-08-2004) 19 November 1998 (19-11-1998) 01 May 2007 (01-05-2007) 25 March 1999 (25-03-1999) 07 June 2005 (07-06-2005) 30 September 1999 (30-09-1999) 28 October 2008 (28-10-2008) 11 November 1999 (11-11-1999) 08 April 2008 (08-04-2008) 14 December 2000 (14-12-2000) 05 August 2008 (05-08-2008) 27 March 2003 (27-03-2003) 24 May 2011 (24-05-2011) 22 May 2003 (22-05-2003) 17 July 2003 (17-07-2003) 13 November 2003 (13-11-2003) 16 August 2011 (16-08-2011) 02 December 2004 (02-12-2004) 14 February 2012 (14-02-2012) 02 June 2005 (02-06-2005) 06 May 2005 (06-05-2005) 01 September 1993 (01-09-1993) 07 December 1994 (07-12-1994) 07 January 1999 (07-01-1999) 02 November 1994 (02-11-1994) 19 August 1998 (19-08-1998) 05 June 1996 (05-06-1996) 24 July 1996 (24-07-1996) 19 December 2001 (19-12-2001) 14 October 1998 (14-10-1998) 15 December 1999 (15-12-1999) 13 November 2002 (13-11-2002) 20 October 1999 (20-10-1999) 25 September 2002 (25-09-2002) 10 November 1999 (10-11-1999) 24 October 2001 (24-10-2001) 23 June 2004 (23-06-2004) 24 November 1999 (24-11-1999) 20 November 2002 (20-11-2002) 15 March 2006 (15-03-2006) 08 March 2000 (08-03-2000) 29 January 2003 (29-01-2003)

* Continued on extra sheet

INTERNATIONAL SEARCH REPORT

International application No.
PCT/CA2015/050717

EP1016026A1	05 July 2000 (05-07-2000)
EP1016026A4	04 April 2001 (04-04-2001)
EP1016026B1	11 January 2006 (11-01-2006)
EP1019844A1	19 July 2000 (19-07-2000)
EP1019844A4	23 April 2003 (23-04-2003)
EP1066587A1	10 January 2001 (10-01-2001)
EP1066587A4	16 April 2003 (16-04-2003)
EP1066587B1	21 November 2007 (21-11-2007)
EP1084430A2	21 March 2001 (21-03-2001)
EP1084430A4	05 March 2003 (05-03-2003)
EP1084430B1	26 July 2006 (26-07-2006)
EP1147479A1	24 October 2001 (24-10-2001)
EP1147479A4	05 November 2002 (05-11-2002)
EP1147479B1	06 October 2004 (06-10-2004)
EP1180257A1	20 February 2002 (20-02-2002)
EP1180257A4	02 January 2003 (02-01-2003)
EP1180257B1	27 April 2005 (27-04-2005)
EP1208521A1	29 May 2002 (29-05-2002)
EP1208521A4	31 March 2004 (31-03-2004)
EP1208521B1	29 March 2006 (29-03-2006)
EP1297058A1	02 April 2003 (02-04-2003)
EP1297058A4	17 March 2004 (17-03-2004)
EP1297058B1	30 July 2008 (30-07-2008)
EP1344180A2	17 September 2003 (17-09-2003)
EP1344180A4	04 January 2006 (04-01-2006)
EP1451760A2	01 September 2004 (01-09-2004)
EP1451760A4	06 April 2005 (06-04-2005)
EP1451760B1	13 September 2006 (13-09-2006)
EP1457916A1	15 September 2004 (15-09-2004)
EP1457916B1	09 August 2006 (09-08-2006)
EP1459242A1	22 September 2004 (22-09-2004)
EP1459242A4	07 December 2005 (07-12-2005)
EP1459242B1	23 December 2009 (23-12-2009)
EP1474775A2	10 November 2004 (10-11-2004)
EP1474775A4	21 November 2007 (21-11-2007)
EP1476270A2	17 November 2004 (17-11-2004)
EP1476270A4	12 April 2006 (12-04-2006)
EP1476270B1	01 September 2010 (01-09-2010)
EP1514141A2	16 March 2005 (16-03-2005)
EP1514141A4	23 January 2008 (23-01-2008)
EP1614056A2	11 January 2006 (11-01-2006)
EP1614056A4	23 July 2008 (23-07-2008)
EP1614056B1	02 March 2011 (02-03-2011)
EP1690162A2	16 August 2006 (16-08-2006)
EP1690162A4	09 June 2010 (09-06-2010)
EP1690162B1	18 January 2012 (18-01-2012)
EP1723574A2	22 November 2006 (22-11-2006)
EP1723574A4	23 February 2011 (23-02-2011)
EP1723574B1	09 January 2013 (09-01-2013)
EP1971952A2	24 September 2008 (24-09-2008)
EP2038812A2	25 March 2009 (25-03-2009)
EP2038812A4	12 February 2014 (12-02-2014)
EP2041693A2	01 April 2009 (01-04-2009)
EP2195764A1	16 June 2010 (16-06-2010)
EP2195764A4	08 December 2010 (08-12-2010)
EP2220587A2	25 August 2010 (25-08-2010)
EP2477138A1	18 July 2012 (18-07-2012)
EP2477138B1	11 March 2015 (11-03-2015)

* Continued on extra sheet

US5216232A	01 June 1993 (01-06-1993)
US5260553A	09 November 1993 (09-11-1993)
US5340971A	23 August 1994 (23-08-1994)
US5340973A	23 August 1994 (23-08-1994)
US5424525A	13 June 1995 (13-06-1995)
US5468951A	21 November 1995 (21-11-1995)
US5484992A	16 January 1996 (16-01-1996)
US5525789A	11 June 1996 (11-06-1996)
US5528024A	18 June 1996 (18-06-1996)
US5557093A	17 September 1996 (17-09-1996)
US5591953A	07 January 1997 (07-01-1997)
US5616908A	01 April 1997 (01-04-1997)
US5627359A	06 May 1997 (06-05-1997)
US5637852A	10 June 1997 (10-06-1997)
US5661292A	26 August 1997 (26-08-1997)
US5742043A	21 April 1998 (21-04-1998)
US5756982A	26 May 1998 (26-05-1998)
US5764017A	09 June 1998 (09-06-1998)
US5767501A	16 June 1998 (16-06-1998)
US5777315A	07 July 1998 (07-07-1998)
US5789730A	04 August 1998 (04-08-1998)
US5789731A	04 August 1998 (04-08-1998)
US5796091A	18 August 1998 (18-08-1998)
US5808285A	15 September 1998 (15-09-1998)
US5811780A	22 September 1998 (22-09-1998)
US5811786A	22 September 1998 (22-09-1998)
US5825012A	20 October 1998 (20-10-1998)
US5828048A	27 October 1998 (27-10-1998)
US5837989A	17 November 1998 (17-11-1998)
US5844227A	01 December 1998 (01-12-1998)
US5844229A	01 December 1998 (01-12-1998)
US5869819A	09 February 1999 (09-02-1999)
US5874721A	23 February 1999 (23-02-1999)
US5883375A	16 March 1999 (16-03-1999)
US5886337A	23 March 1999 (23-03-1999)
US5895907A	20 April 1999 (20-04-1999)
US5905248A	18 May 1999 (18-05-1999)
US5905251A	18 May 1999 (18-05-1999)
US5925870A	20 July 1999 (20-07-1999)
US5925871A	20 July 1999 (20-07-1999)
US5929419A	27 July 1999 (27-07-1999)
US5939698A	17 August 1999 (17-08-1999)
US5939701A	17 August 1999 (17-08-1999)
US5942743A	24 August 1999 (24-08-1999)
US5955721A	21 September 1999 (21-09-1999)
US5975419A	02 November 1999 (02-11-1999)
US5979766A	09 November 1999 (09-11-1999)
US5984185A	16 November 1999 (16-11-1999)
US5984187A	16 November 1999 (16-11-1999)
US5992752A	30 November 1999 (30-11-1999)
US6003772A	21 December 1999 (21-12-1999)
US6006993A	28 December 1999 (28-12-1999)

.....