



US00D524796S

(12) **United States Design Patent**
Chan

(10) **Patent No.:** **US D524,796 S**

(45) **Date of Patent:** **** Jul. 11, 2006**

(54) **LOUDSPEAKER**

D319,242 S * 8/1991 Furuno D14/204
D448,753 S * 10/2001 Masui D14/214

(75) Inventor: **Raymond Chan**, Hong Kong (CN)

* cited by examiner

(73) Assignee: **IDT Sonicvision Limited**, Hong Kong (CN)

Primary Examiner—Nanda Bondade
(74) *Attorney, Agent, or Firm*—Alix, Yale & Ristas, LLP

(**) Term: **14 Years**

(57) **CLAIM**

(21) Appl. No.: **29/207,963**

The ornamental design for a loudspeaker, as shown and described.

(22) Filed: **Jun. 22, 2004**

(30) **Foreign Application Priority Data**

Apr. 19, 2004 (HK) 0410809

(51) **LOC (8) Cl.** **14-01**

(52) **U.S. Cl.** **D14/211**

(58) **Field of Classification Search** D14/204,
D14/207, 209–216, 356; 181/143–144, 147–148,
181/150, 157, 198–199, 151, 153; 381/300–302,
381/306, 333, 345, 361–364, 386–388, 332,
381/336

See application file for complete search history.

DESCRIPTION

FIG. 1 is a front perspective view of a loudspeaker showing my new design;

FIG. 2 is a rear perspective view thereof;

FIG. 3 is a front elevational view thereof;

FIG. 4 is a rear elevational view thereof;

FIG. 5 is a left side elevational view thereof;

FIG. 6 is a right side elevational view thereof;

FIG. 7 is a top plan view thereof; and,

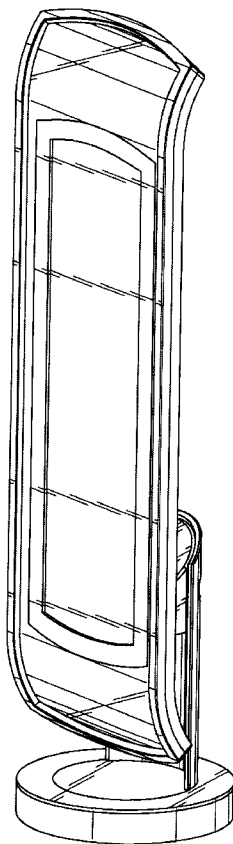
FIG. 8 is a bottom plan view thereof.

(56) **References Cited**

U.S. PATENT DOCUMENTS

D302,979 S * 8/1989 Sanders D14/214

1 Claim, 4 Drawing Sheets



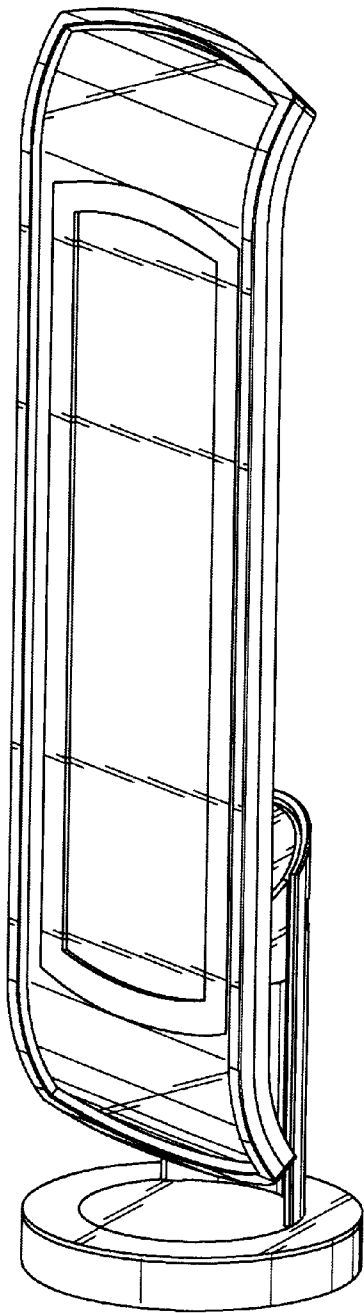


FIG. 1

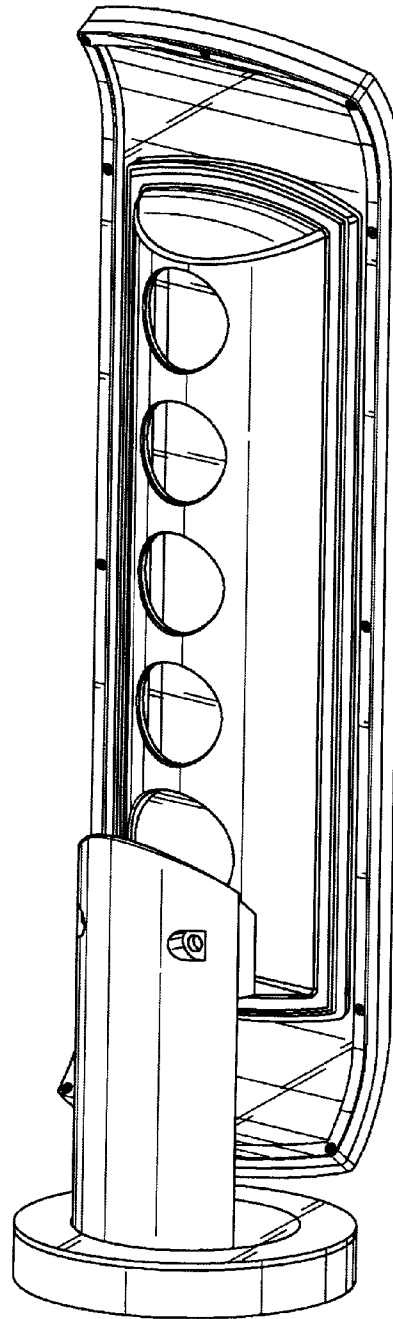


FIG. 2

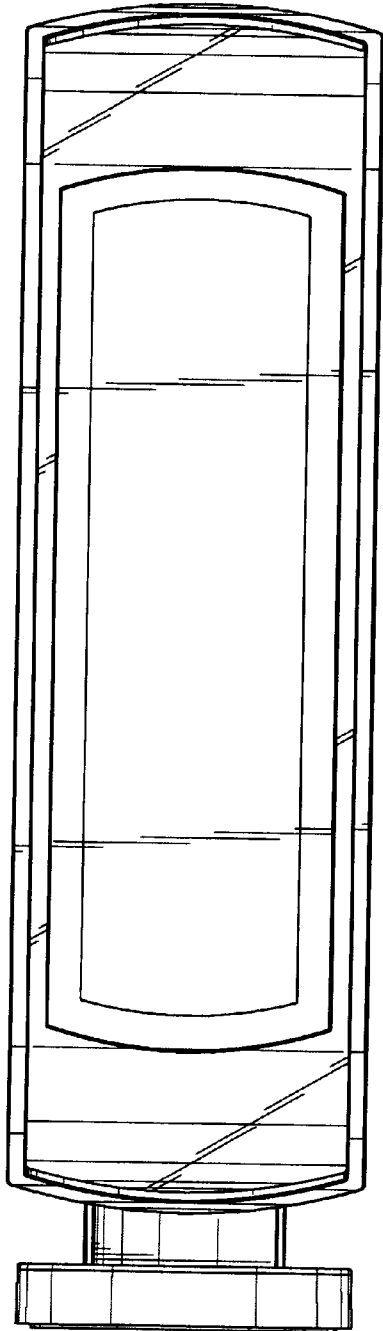


FIG. 3

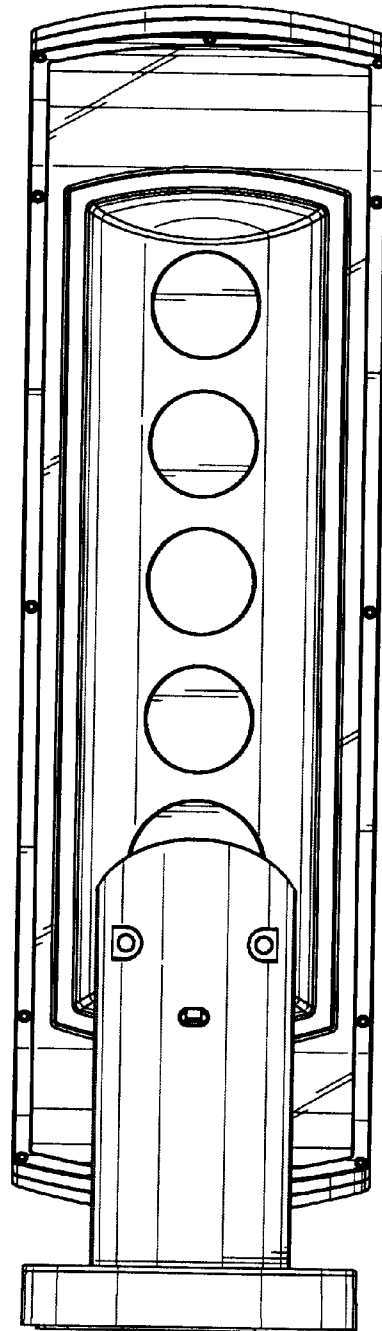


FIG. 4

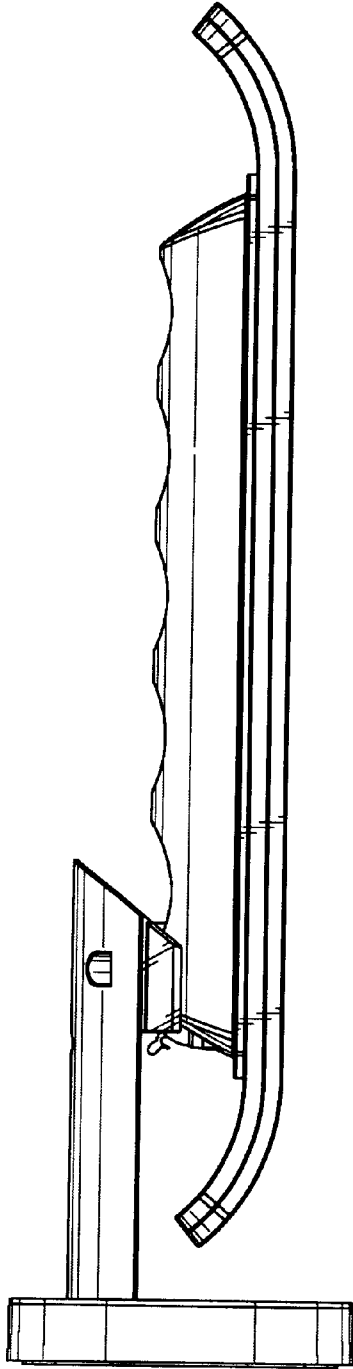


FIG. 5

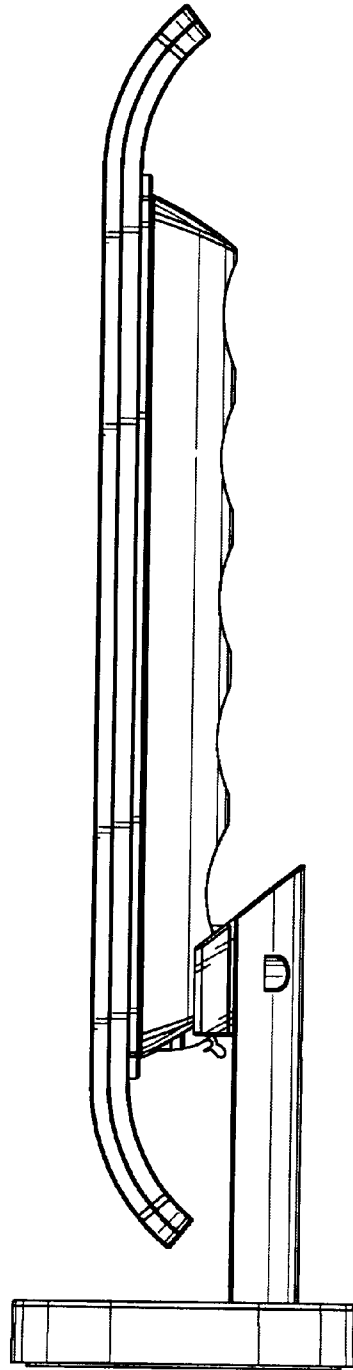


FIG. 6

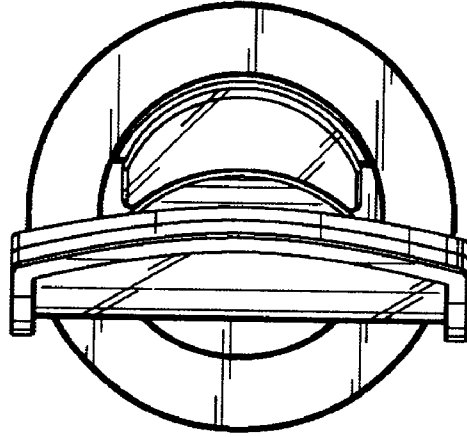


FIG. 7

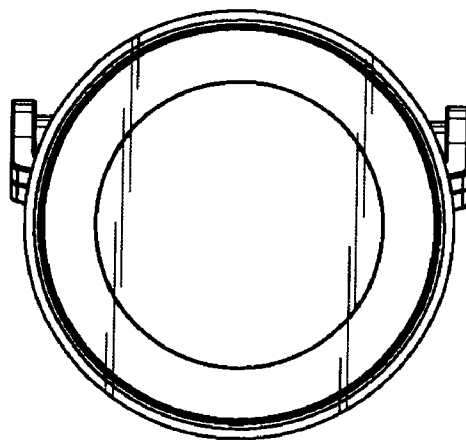


FIG. 8