



US00D669821S

(12) **United States Design Patent**
Nishihara et al.

(10) **Patent No.:** **US D669,821 S**

(45) **Date of Patent:** **** Oct. 30, 2012**

(54) **MOTORCYCLE**

D638,756 S * 5/2011 Kouchi et al. D12/110
D647,825 S * 11/2011 Shibuta et al. D12/110

(75) Inventors: **Toshiyuki Nishihara**, Kakogawa (JP);
Takumi Uemoto, Kobe (JP)

* cited by examiner

(73) Assignee: **Kawasaki Jukogyo Kabushiki Kaisha**,
Hyogo (JP)

Primary Examiner — Susan M Lee

Assistant Examiner — Linda G. Brooks

(**) Term: **14 Years**

(21) Appl. No.: **29/395,700**

(57) **CLAIM**

The ornamental design for a motorcycle, as shown and described.

(22) Filed: **Mar. 13, 2012**

(30) **Foreign Application Priority Data**

Sep. 21, 2011 (JP) 2011-021528

(51) **LOC (9) Cl.** **12-11**

(52) **U.S. Cl.** **D12/110**

(58) **Field of Classification Search** D12/110;
180/219, 220, 225, 229

See application file for complete search history.

(56) **References Cited**

U.S. PATENT DOCUMENTS

D588,961 S * 3/2009 Tanaka et al. D12/110

D606,457 S * 12/2009 Tanaka et al. D12/110

DESCRIPTION

FIG. 1 is a front elevational view of a motorcycle showing our new design;

FIG. 2 is a rear elevational view thereof;

FIG. 3 is a left side elevational view thereof;

FIG. 4 is a right side elevational view thereof;

FIG. 5 is a top plan view thereof;

FIG. 6 is a bottom plan view thereof;

FIG. 7 is a front left perspective view thereof; and,

FIG. 8 is a rear right perspective view thereof.

1 Claim, 8 Drawing Sheets

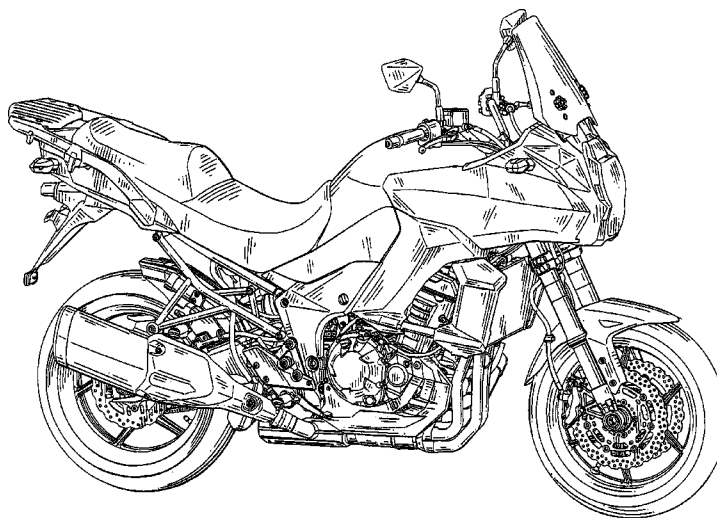
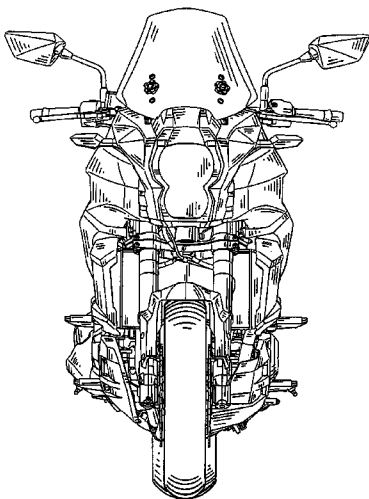


Fig. 1

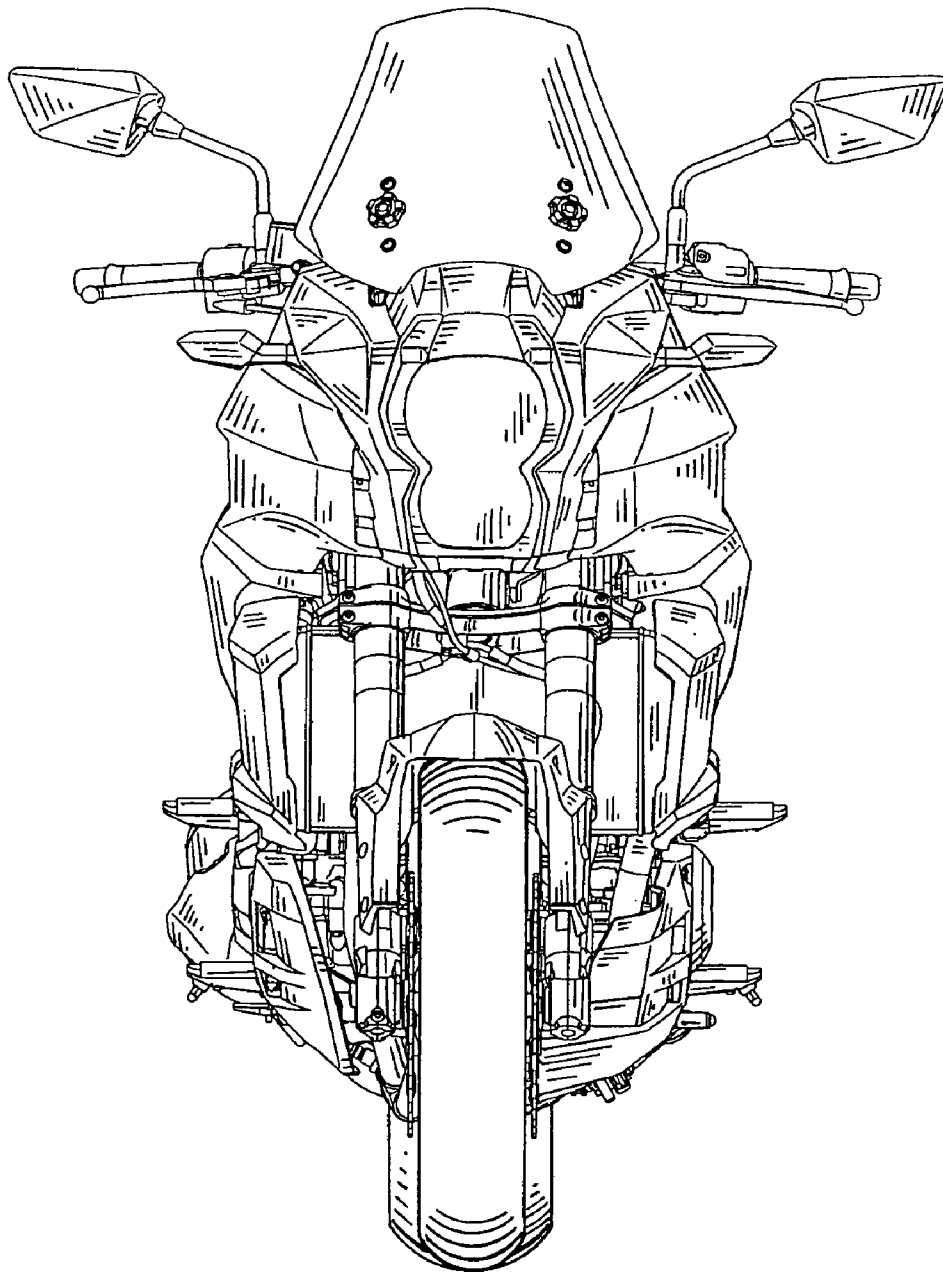
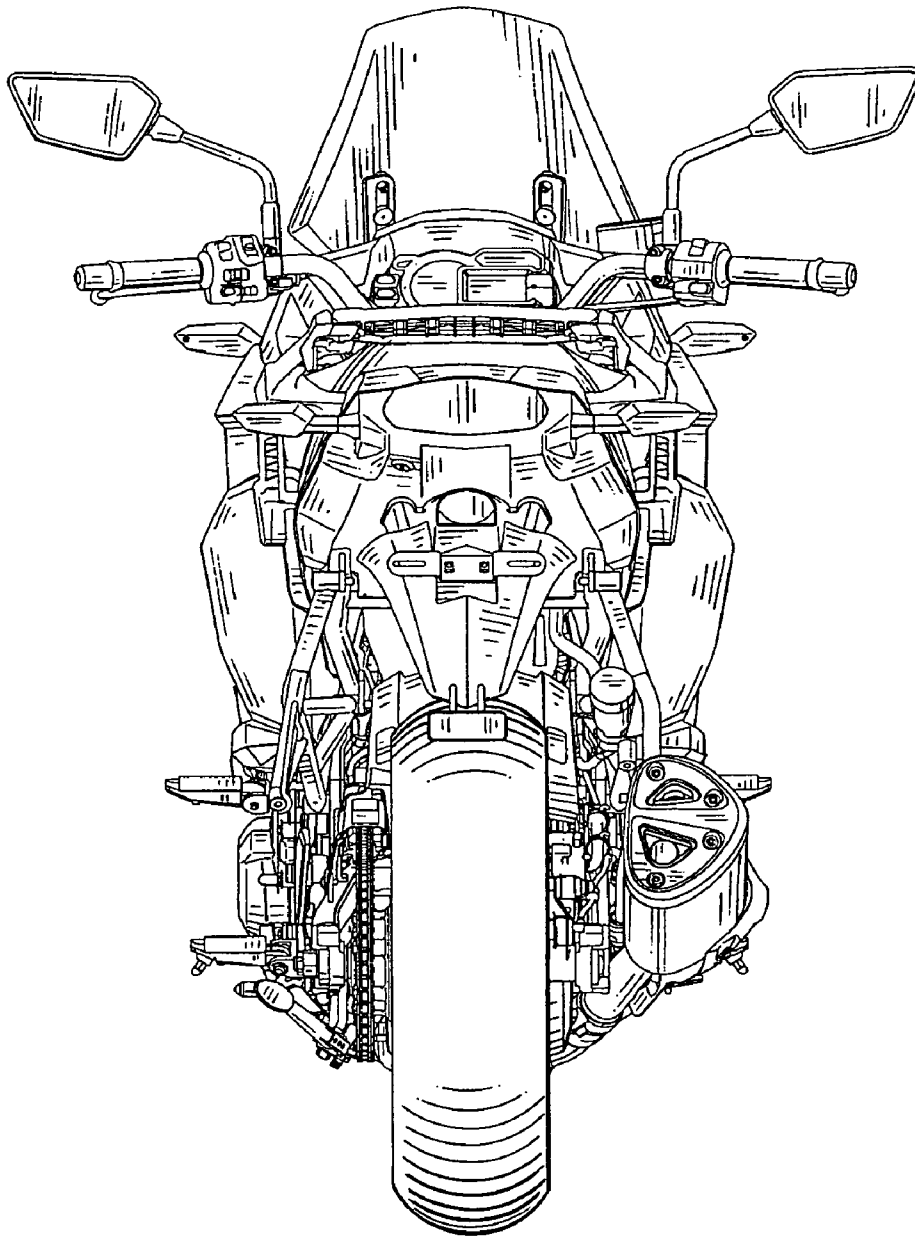


Fig. 2



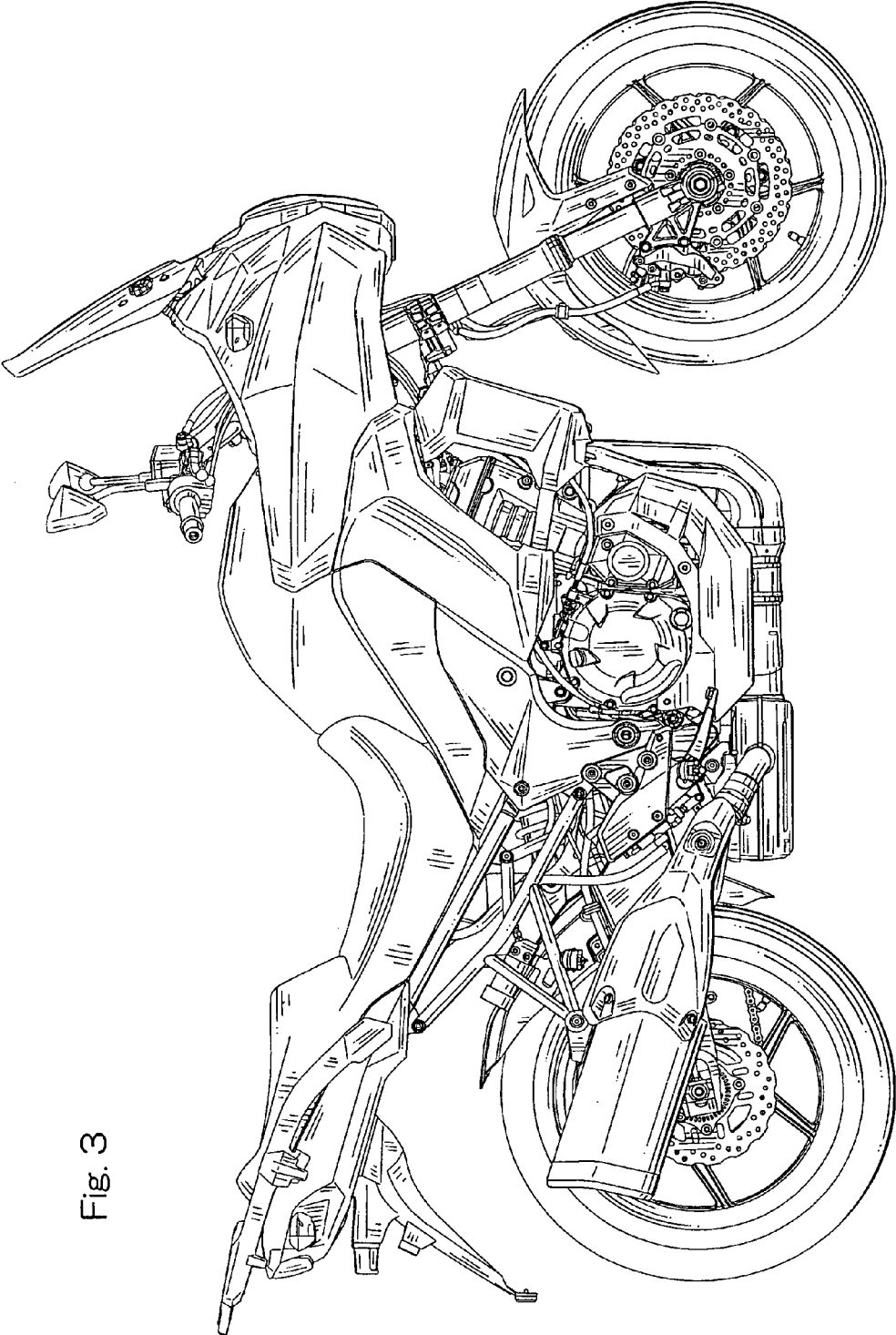


Fig. 3

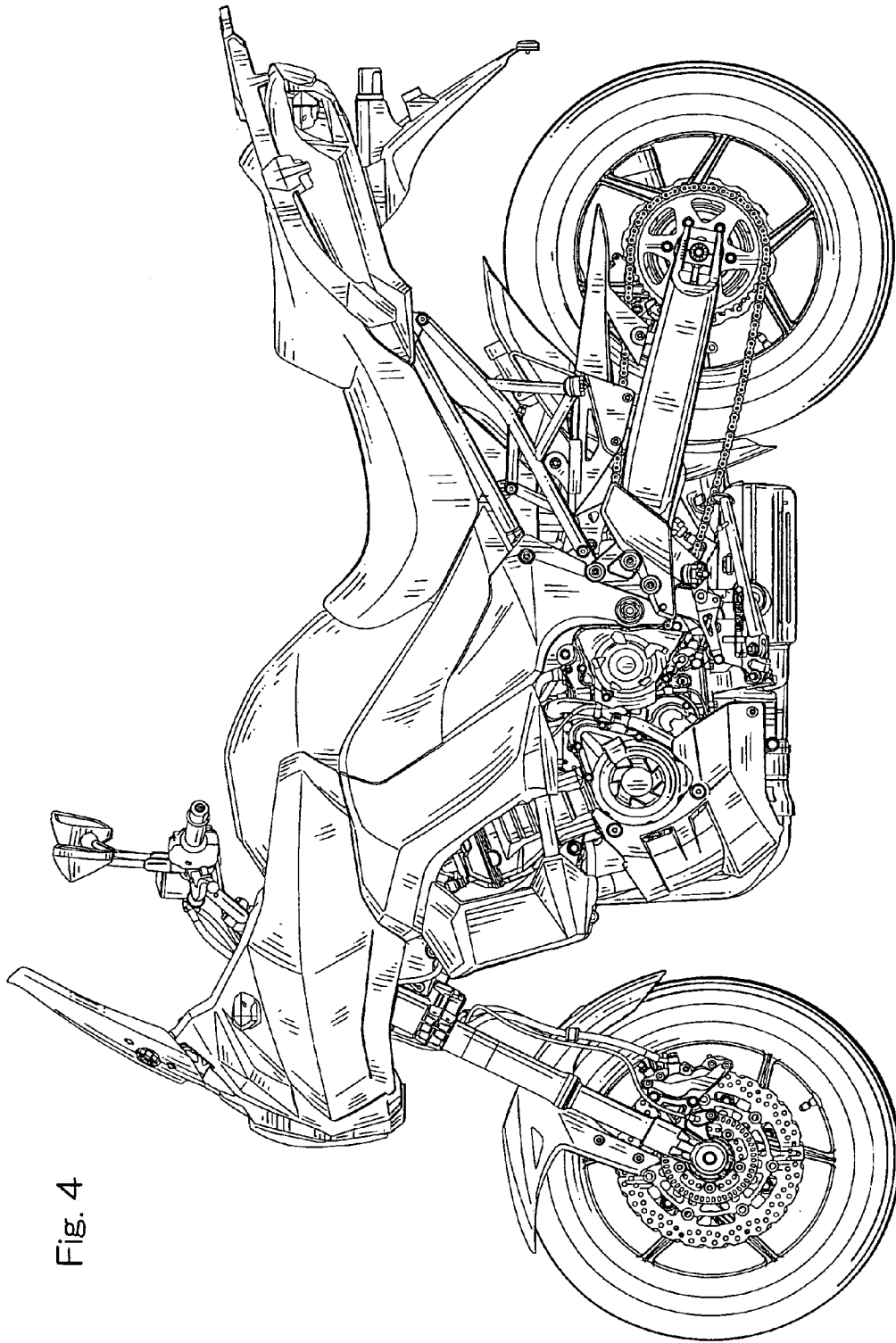


Fig. 4

Fig. 5

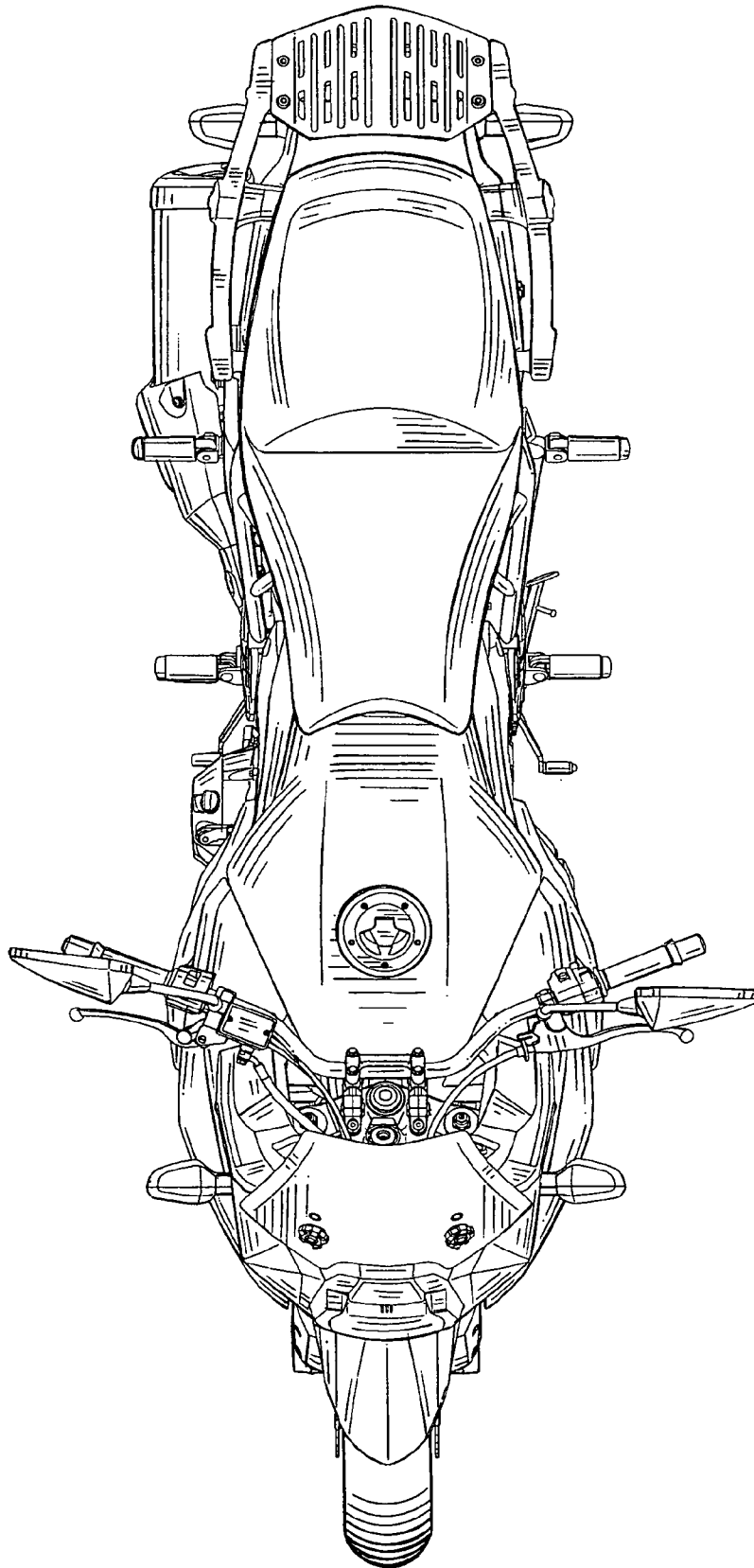
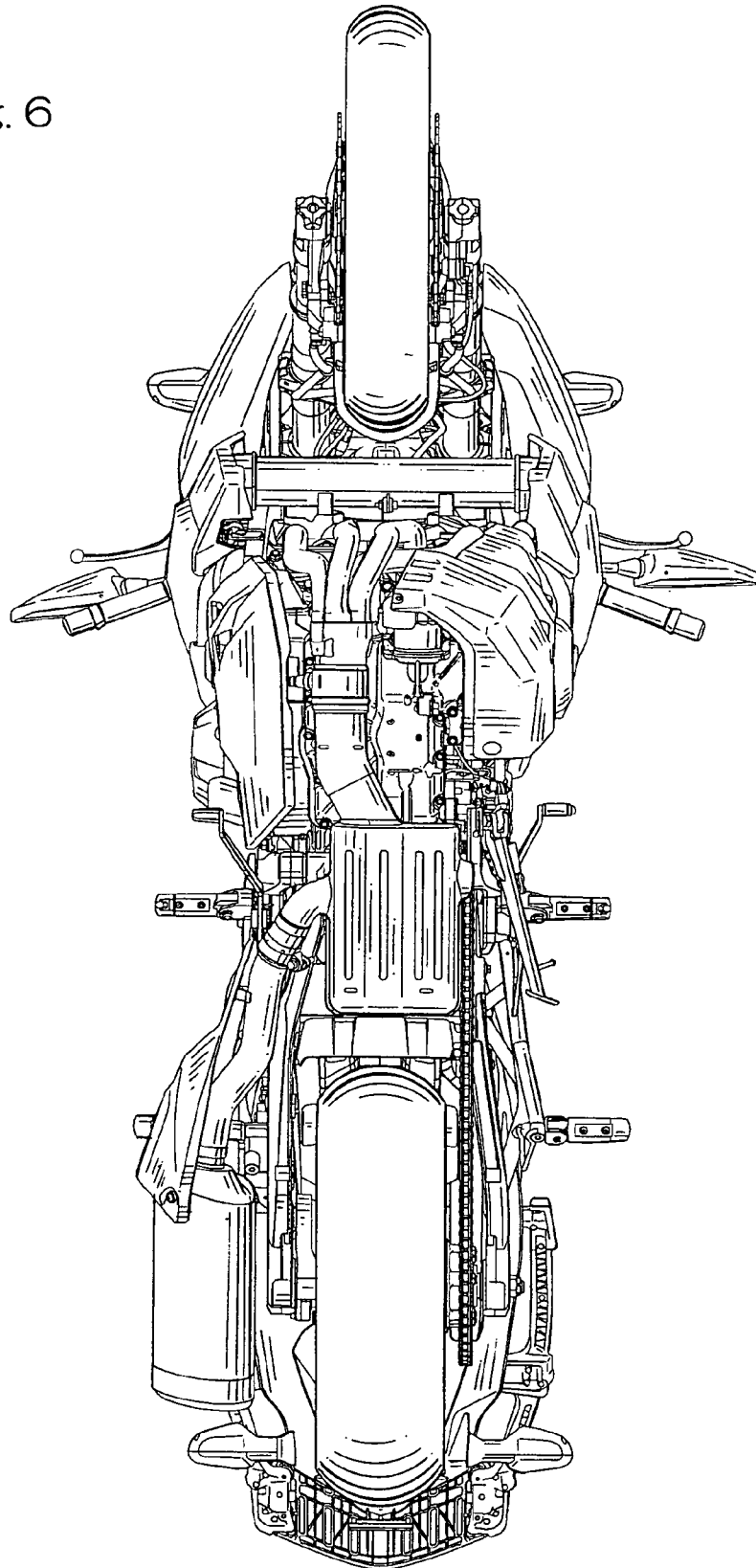


Fig. 6



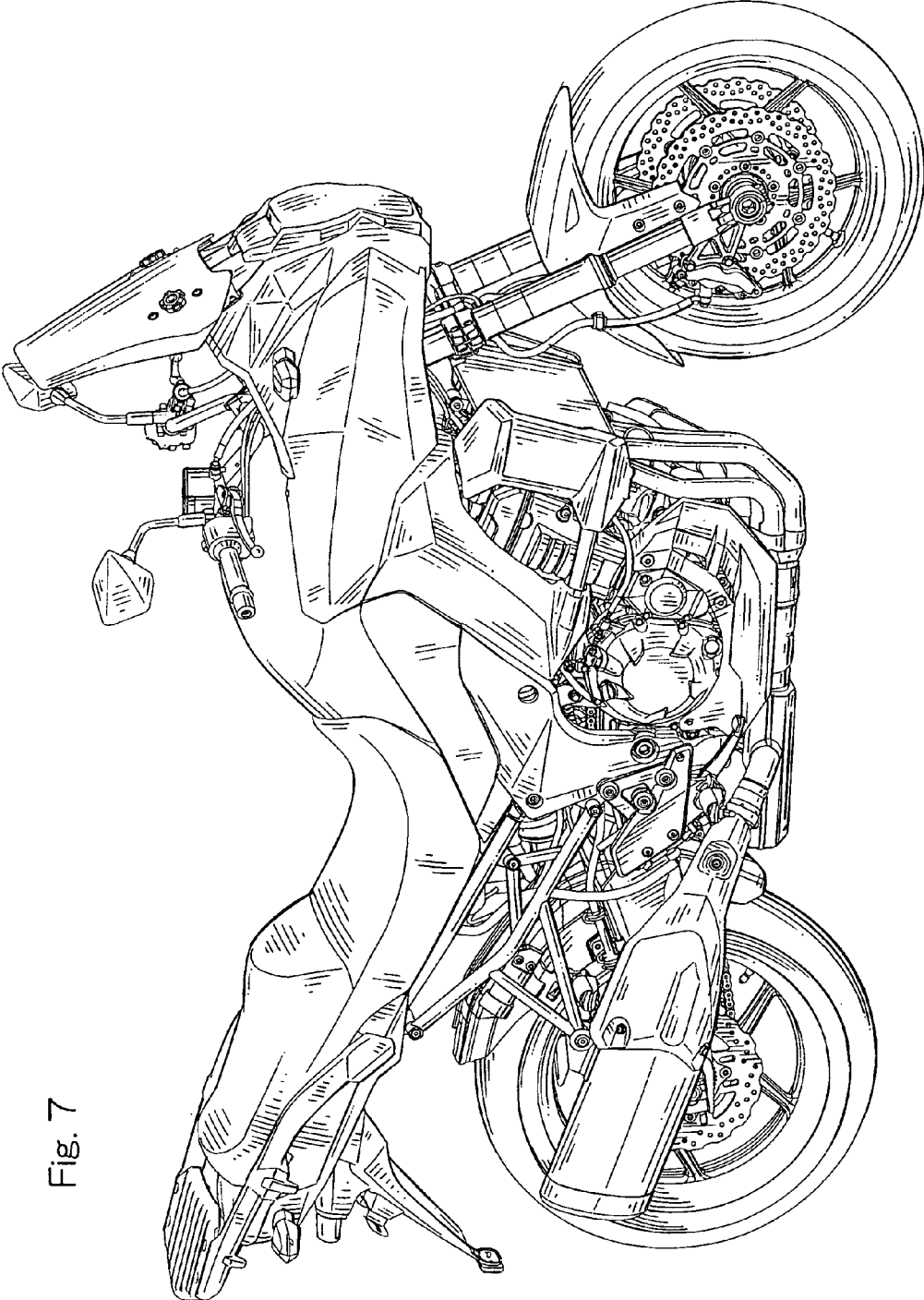


Fig. 7

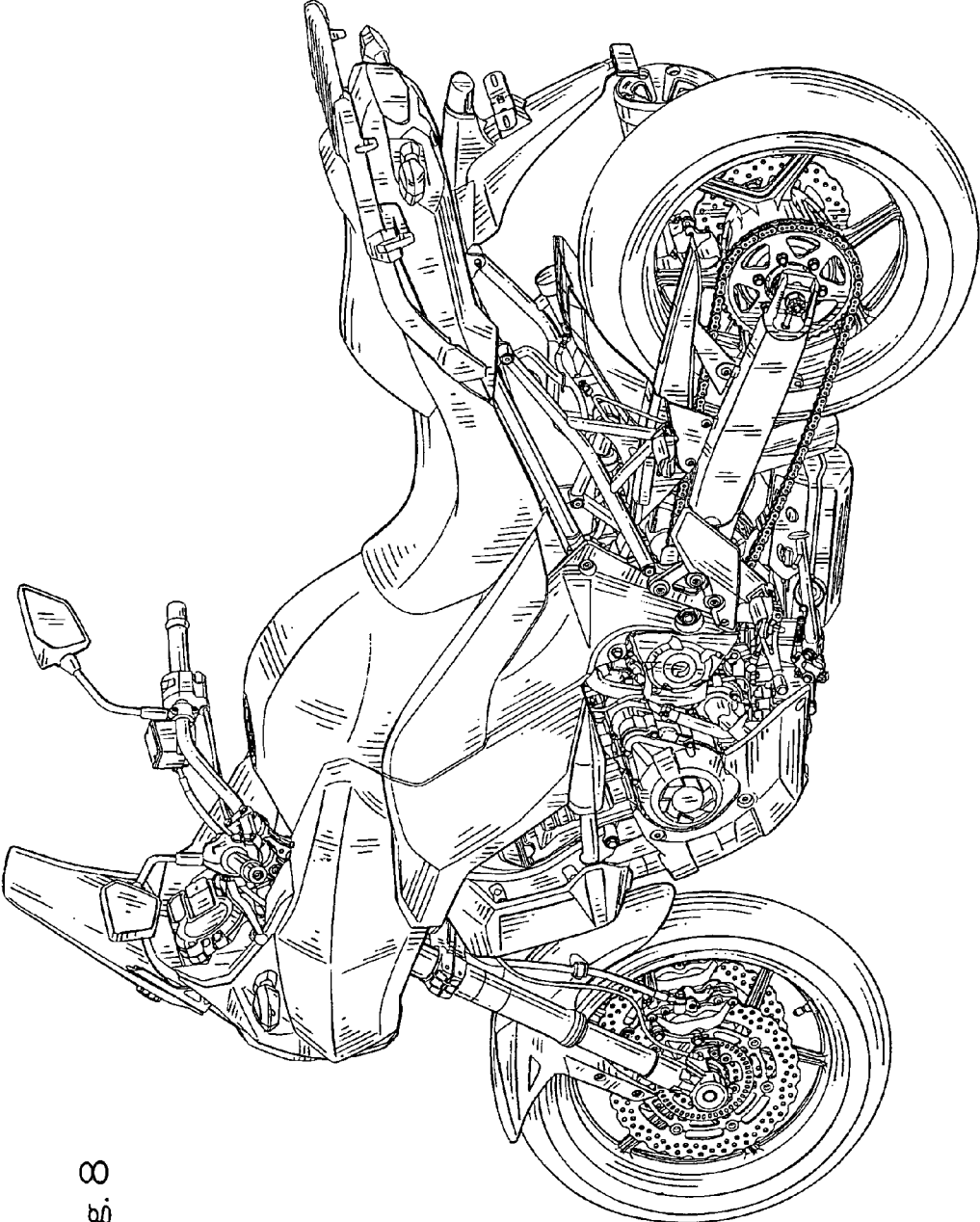


Fig. 8