

(19) World Intellectual Property Organization
International Bureau



(10) International Publication Number
WO 2009/155238 A3

(43) International Publication Date
23 December 2009 (23.12.2009)

(51) International Patent Classification:
F16G 13/06 (2006.01) F16H 7/06 (2006.01)
F16G 13/04 (2006.01)

1300-50, Aza Kuchiirino, Yabata, Nabari-shi, Mie
518-0495 (JP).

(21) International Application Number:
PCT/US2009/047358

(74) Agent: ARTZ, John, A.; John A. Artz P.C., 2756 Turtle
Lake Drive, Bloomfield Hills, MI 48302 (US).

(22) International Filing Date:
15 June 2009 (15.06.2009)

(81) Designated States (unless otherwise indicated, for every
kind of national protection available): AE, AG, AL, AM,
AO, AT, AU, AZ, BA, BB, BG, BH, BR, BW, BY, BZ,
CA, CH, CL, CN, CO, CR, CU, CZ, DE, DK, DM, DO,
DZ, EC, EE, EG, ES, FI, GB, GD, GE, GH, GM, GT,
HN, HR, HU, ID, IL, IN, IS, JP, KE, KG, KM, KN, KP,
KR, KZ, LA, LC, LK, LR, LS, LT, LU, LY, MA, MD,
ME, MG, MK, MN, MW, MX, MY, MZ, NA, NG, NI,
NO, NZ, OM, PE, PG, PH, PL, PT, RO, RS, RU, SC, SD,
SE, SG, SK, SL, SM, ST, SV, SY, TJ, TM, TN, TR, TT,
TZ, UA, UG, US, UZ, VC, VN, ZA, ZM, ZW.

(25) Filing Language: English

(26) Publication Language: English

(30) Priority Data:
2008-161656 20 June 2008 (20.06.2008) JP

(71) Applicant (for all designated States except US): BORG-
WARNER INC. [US/US]; Patent Department, 3850
Hamlin Road, Auburn Hills, MI 48326 (US).

(72) Inventors; and

(75) Inventors/Applicants (for US only): TOKITA,
Toshikazu [JP/JP]; c/o BorgWarner Morse Tec Japan
K.K., 1300-50, Aza Kuchiirino, Yabata, Nabari-shi, Mie,
518-0495 (JP). YOSHIDA, Yukio [JP/JP]; c/o Borg-
Warner Morse Tec Japan K.K., 1300-50, Aza Kuchiirino,
Yabata, Nabari-shi, Mie 518-0495 (JP). MATSUDA,
Akio [JP/JP]; c/o BorgWarner Morse Tec Japan K.K.,

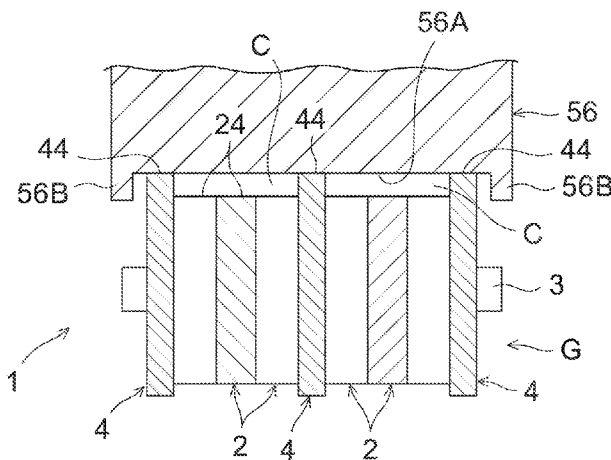
(84) Designated States (unless otherwise indicated, for every
kind of regional protection available): ARIPO (BW, GH,
GM, KE, LS, MW, MZ, NA, SD, SL, SZ, TZ, UG, ZM,
ZW), Eurasian (AM, AZ, BY, KG, KZ, MD, RU, TJ,
TM), European (AT, BE, BG, CH, CY, CZ, DE, DK, EE,
ES, FI, FR, GB, GR, HR, HU, IE, IS, IT, LT, LU, LV,
MC, MK, MT, NL, NO, PL, PT, RO, SE, SI, SK, TR),
OAPI (BF, BJ, CF, CG, CI, CM, GA, GN, GQ, GW, ML,
MR, NE, SN, TD, TG).

Declarations under Rule 4.17:

[Continued on next page]

(54) Title: SILENT CHAIN

FIG. 6



(57) Abstract: To make the pitch balance of
a silent chain after the prestressing operation
even, and to reduce the sliding resistance
with a tensioner arm and chain guide during
travel. A silent chain 1 has a configuration in
which a large number of link plates 2 com-
prising a pair of tooth parts 22 and pin holes
21 are stacked in the thickness direction and
the length direction and are linked by linking
pins 3, and guide plates 4 are mounted on the
linking pins 3. In this case, the guide plates 4
are arranged in guide rows G at a central po-
sition in the width direction and at positions
at both ends in the width direction, and the
height H of the back part of each guide plate
4 is greater than the height h of the back parts
of the link plates 2.

WO 2009/155238 A3



-
- *as to applicant's entitlement to apply for and be granted a patent (Rule 4.17(ii))*
 - *as to the applicant's entitlement to claim the priority of the earlier application (Rule 4.17(iii))*
- Published:**
- *with international search report (Art. 21(3))*

— *before the expiration of the time limit for amending the claims and to be republished in the event of receipt of amendments (Rule 48.2(h))*

(88) Date of publication of the international search report:
11 March 2010

A. CLASSIFICATION OF SUBJECT MATTER*F16G 13/06(2006.01)i, F16G 13/04(2006.01)i, F16H 7/06(2006.01)i*

According to International Patent Classification (IPC) or to both national classification and IPC

B. FIELDS SEARCHED

Minimum documentation searched (classification system followed by classification symbols)

F16G 13/06; F16G 13/02; F16G 13/04

Documentation searched other than minimum documentation to the extent that such documents are included in the fields searched

Korean utility models and applications for utility models
Japanese utility models and applications for utility models
(Chinese Patents and application for patent)

Electronic data base consulted during the international search (name of data base and, where practicable, search terms used)

eKOMPASS(KIPO internal) & Keywords: silent, guide, friction

C. DOCUMENTS CONSIDERED TO BE RELEVANT

Category*	Citation of document, with indication, where appropriate, of the relevant passages	Relevant to claim No.
Y	JP 11-182634 A (TSUBAKIMOTO CHAIN CO.) 06 July 1999 See paragraphs 21-27 and figures 3, 4.	1-5
Y	JP 09-250600 A (HONDA MOTOR CO., LTD. et al.) 22 September 1997 See paragraphs 21-32 and figures 1-8.	1-5
Y	US 5758484 A (TIMOTHY J. LEDVINA et al.) 02 June 1998 See column 6 lines 21-35 and figure 2.	5
A	JP 2007-187181 A (TSUBAKIMOTO CHAIN CO.) 26 July 2007 See the whole document.	1-5
A	JP 2001-349384 A (BORG WARNER AUTOMOTIVE KK.) 21 December 2001 See the whole document.	1-5
A	JP 2005-221077 A (TSUBAKIMOTO CHAIN CO.) 18 August 2005 See the whole document.	1-5

 Further documents are listed in the continuation of Box C. See patent family annex.

* Special categories of cited documents:

"A" document defining the general state of the art which is not considered to be of particular relevance

"E" earlier application or patent but published on or after the international filing date

"L" document which may throw doubts on priority claim(s) or which is cited to establish the publication date of citation or other special reason (as specified)

"O" document referring to an oral disclosure, use, exhibition or other means

"P" document published prior to the international filing date but later than the priority date claimed

"T" later document published after the international filing date or priority date and not in conflict with the application but cited to understand the principle or theory underlying the invention

"X" document of particular relevance; the claimed invention cannot be considered novel or cannot be considered to involve an inventive step when the document is taken alone

"Y" document of particular relevance; the claimed invention cannot be considered to involve an inventive step when the document is combined with one or more other such documents, such combination being obvious to a person skilled in the art

"&" document member of the same patent family

Date of the actual completion of the international search

22 JANUARY 2010 (22.01.2010)

Date of mailing of the international search report

22 JANUARY 2010 (22.01.2010)

Name and mailing address of the ISA/KR

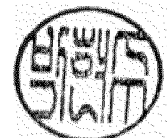
Korean Intellectual Property Office
Government Complex-Daejeon, 139 Seonsa-ro, Seo-
gu, Daejeon 302-701, Republic of Korea

Facsimile No. 82-42-472-7140

Authorized officer

PARK, HYUN SOO

Telephone No. 82-42-481-8439



INTERNATIONAL SEARCH REPORT

Information on patent family members

International application No.

PCT/US2009/047358

Patent document cited in search report	Publication date	Patent family member(s)	Publication date
JP 11-182634 A	06.07.1999	JP 3122072 B2	09.01.2001
JP 09-250600 A	22.09.1997	JP 3271892 B2	08.04.2002
US 5758484 A	02.06.1998	EP 0833077 A1	01.04.1998
		JP 04-083264 B2	30.04.2008
		JP 10-122308 A	15.05.1998
JP 2007-187181 A	26.07.2007	CN 101000080 A	18.07.2007
		DE 102006057135 A1	12.07.2007
		US 2007-0161445 A1	12.07.2007
JP 2001-349384 A	21.12.2001	JP 2001-349383 A	21.12.2001
		US 2002-0169046 A1	14.11.2002
		US 6969332 B2	29.11.2005
JP 2005-221077 A	18.08.2005	JP 3980033 B2	19.09.2007