



- (51) International Patent Classification:
F03D 11/00 (2006.01) F03D 1/06 (2006.01)
- (21) International Application Number:
PCT/IB2009/000052
- (22) International Filing Date:
14 January 2009 (14.01.2009)
- (25) Filing Language: English
- (26) Publication Language: English
- (30) Priority Data:
61/011,189 14 January 2008 (14.01.2008) US
- (71) Applicant (for all designated States except US): CLIPPER WINDPOWER, INC. [US/US]; 6305 Carpinteria Avenue, Suite 300, Carpinteria, CA 93013 (US).
- (72) Inventors; and
- (75) Inventors/Applicants (for US only): GLENN, Brian [US/US]; 11500 Fiddletown Road, Plymouth, CA 95669 (US). DEHLSSEN, James, G., P. [US/US]; 200 San Ysidro Road, Montecito, CA 93105 (US). KELLER, Walter [DE/DE]; Felsenstrasse 21, 66994 Dahn (DE). ROHM, Andreas [DE/DE]; Neuffenstrasse 16, 73240 Wendungen (DE). MEHRLE, Wolfgang [DE/DE]; Maxburgstrasse 19, 76831 Billigheim-Ingenheim (DE).

STUCKERT, Martin [DE/DE]; Am Bangert 8, 76855 Annweiler (DE).

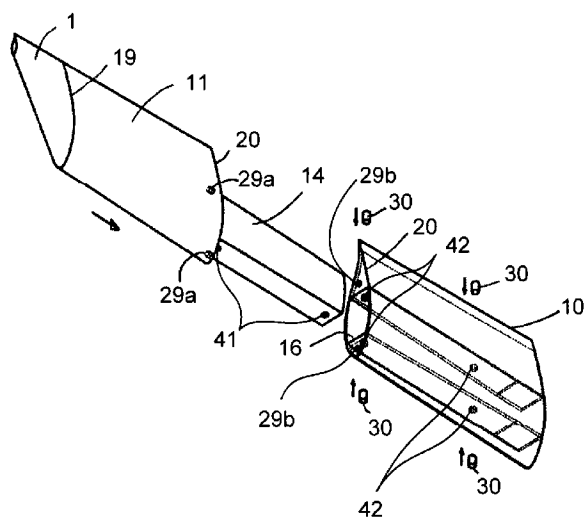
(74) Agent: LAMB, Owen; C/o Zenz - Patent- und Rechtsanwalte, Huysseallee 58 - 64, 45128 Essen (DE).

(81) Designated States (unless otherwise indicated, for every kind of national protection available): AE, AG, AL, AM, AO, AT, AU, AZ, BA, BB, BG, BH, BR, BW, BY, BZ, CA, CH, CN, CO, CR, CU, CZ, DE, DK, DM, DO, DZ, EC, EE, EG, ES, FI, GB, GD, GE, GH, GM, GT, HN, HR, HU, ID, IL, IN, IS, JP, KE, KG, KM, KN, KP, KR, KZ, LA, LC, LK, LR, LS, LT, LU, LY, MA, MD, ME, MG, MK, MN, MW, MX, MY, MZ, NA, NG, NI, NO, NZ, OM, PG, PH, PL, PT, RO, RS, RU, SC, SD, SE, SG, SK, SL, SM, ST, SV, SY, TJ, TM, TN, TR, TT, TZ, UA, UG, US, UZ, VC, VN, ZA, ZM, ZW.

(84) Designated States (unless otherwise indicated, for every kind of regional protection available): ARIPO (BW, GH, GM, KE, LS, MW, MZ, NA, SD, SL, SZ, TZ, UG, ZM, ZW), Eurasian (AM, AZ, BY, KG, KZ, MD, RU, TJ, TM), European (AT, BE, BG, CH, CY, CZ, DE, DK, EE, ES, FI, FR, GB, GR, HR, HU, IE, IS, IT, LT, LU, LV, MC, MK, MT, NL, NO, PL, PT, RO, SE, SI, SK, TR), OAPI (BF, BJ, CF, CG, CI, CM, GA, GN, GQ, GW, ML, MR, NE, SN, TD, TG).

[Continued on next page]

(54) Title: A MODULAR ROTOR BLADE FOR A POWER-GENERATING TURBINE AND A METHOD FOR ASSEMBLING A POWER-GENERATING TURBINE WITH MODULAR ROTOR BLADES



(57) Abstract: The invention relates to a modular rotor blade for a power generating turbine that allows simple replacement of individual rotor blade sections in case of damage to or malfunction of a section. The modular rotor blade comprises at least two rotor blade sections (10, 11), wherein each rotor blade section (10, 11) comprises at least one connecting part (14, 16) having at least one conical opening (41, 42), the connecting parts (14, 16) of adjacent rotor blade sections (10, 11) rest against each other such that the conical openings (41, 42) of the connecting parts (14, 16) are aligned with each other and form a continuous conical connecting opening, receiving means (18) for receiving tensioning means (28) are arranged at the smaller diameter end of the conical connecting opening, a conical bolt (30) corresponding to the continuous conical connecting opening is arranged therein, and at least one tensioning means (28) passing through the conical bolt (30) and tensioning the conical bolt (30) against the receiving means (18).

Fig. 3

WO 2009/090537 A3

Published:

(88) Date of publication of the international search report:

18 March 2010

- *with international search report (Art. 21(3))*
- *before the expiration of the time limit for amending the claims and to be republished in the event of receipt of amendments (Rule 48.2(h))*

INTERNATIONAL SEARCH REPORT

International application No

PCT/IB2009/000052

A. CLASSIFICATION OF SUBJECT MATTER
 INV. F03D11/00 F03D1/06

According to International Patent Classification (IPC) or to both national classification and IPC

B. FIELDS SEARCHED

Minimum documentation searched (classification system followed by classification symbols)
 F03D

Documentation searched other than minimum documentation to the extent that such documents are included in the fields searched

Electronic data base consulted during the international search (name of data base and, where practical, search terms used)

EPO-Internal

C. DOCUMENTS CONSIDERED TO BE RELEVANT

Category*	Citation of document, with indication, where appropriate, of the relevant passages	Relevant to claim No.
A	EP 1 584 817 A (GAMESA EOLICA S A SOC UNIPERSO [ES]) 12 October 2005 (2005-10-12) the whole document	1-19
A	US 2007/253824 A1 (EYB ENNO [DE]) 1 November 2007 (2007-11-01) cited in the application the whole document	1-19
A	EP 1 318 300 A (GEN ELECTRIC [US]) 11 June 2003 (2003-06-11) the whole document	1, 10

 Further documents are listed in the continuation of Box C.

 See patent family annex.

* Special categories of cited documents :

"A" document defining the general state of the art which is not considered to be of particular relevance

"E" earlier document but published on or after the international filing date

"L" document which may throw doubts on priority claim(s) or which is cited to establish the publication date of another citation or other special reason (as specified)

"O" document referring to an oral disclosure, use, exhibition or other means

"P" document published prior to the international filing date but later than the priority date claimed

"T" later document published after the international filing date or priority date and not in conflict with the application but cited to understand the principle or theory underlying the invention

"X" document of particular relevance; the claimed invention cannot be considered novel or cannot be considered to involve an inventive step when the document is taken alone

"Y" document of particular relevance; the claimed invention cannot be considered to involve an inventive step when the document is combined with one or more other such documents, such combination being obvious to a person skilled in the art.

"&" document member of the same patent family

Date of the actual completion of the international search

15 January 2010

Date of mailing of the international search report

28/01/2010

Name and mailing address of the ISA/

European Patent Office, P.B. 5818 Patentlaan 2
 NL - 2280 HV Rijswijk
 Tel. (+31-70) 340-2040,
 Fax: (+31-70) 340-3016

Authorized officer

Avramidis, Pavlos

INTERNATIONAL SEARCH REPORT

Information on patent family members

International application No

PCT/IB2009/000052

Patent document cited in search report		Publication date	Patent family member(s)	Publication date
EP 1584817	A	12-10-2005	CN 1957178 A	02-05-2007
			WO 2005100781 A1	27-10-2005
			US 2008145231 A1	19-06-2008
US 2007253824	A1	01-11-2007	CN 101070816 A	14-11-2007
			DE 102007020439 A1	31-10-2007
EP 1318300	A	11-06-2003	DE 10160022 A1	18-06-2003