

(19) World Intellectual Property
Organization
International Bureau



(43) International Publication Date
14 October 2004 (14.10.2004)

PCT

(10) International Publication Number
WO 2004/087476 A3

(51) International Patent Classification⁷: **B60T 7/10**

ALOY, David [ES/ES]; Av. Bertomeu 27, E-08193 Bellaterra (ES). **JORNET VIDAL, Jordi** [ES/ES]; C/Galvani 110, 3° 3a, E-08224 Terrassa (ES).

(21) International Application Number:
PCT/EP2004/003592

(74) Agent: **HESS, Peter, K.**; Bardehle, Pagenberg, Dost, Altenburg, Geissler, Galileiplatz 1, 81679 München (DE).

(22) International Filing Date: 5 April 2004 (05.04.2004)

(25) Filing Language: English

(81) Designated States (unless otherwise indicated, for every kind of national protection available): AE, AG, AL, AM, AT, AU, AZ, BA, BB, BG, BR, BW, BY, BZ, CA, CH, CN, CO, CR, CU, CZ, DK, DM, DZ, EC, EE, EG, ES, FI, GB, GD, GE, GH, GM, HR, HU, ID, IL, IN, IS, JP, KE, KG, KP, KR, KZ, LC, LK, LR, LS, LT, LU, LV, MA, MD, MG, MK, MN, MW, MX, MZ, NA, NI, NO, NZ, OM, PG, PH, PL, PT, RO, RU, SC, SD, SE, SG, SK, SL, SY, TJ, TM, TN, TR, TT, TZ, UA, UG, US, UZ, VC, VN, YU, ZA, ZM, ZW.

(26) Publication Language: English

(30) Priority Data:
103 15 233.4 3 April 2003 (03.04.2003) DE

(71) Applicant (for all designated States except US): **FICO CABLES S.A.** [ES/ES]; Technological Centre Pujol & Tarragó, Poligono Industrial Can Margarola, Ctra. C-17 km 13, E-08100 Mollet del Vallès (ES).

(84) Designated States (unless otherwise indicated, for every kind of regional protection available): ARIPO (BW, GH, GM, KE, LS, MW, MZ, SD, SL, SZ, TZ, UG, ZM, ZW), Eurasian (AM, AZ, BY, KG, KZ, MD, RU, TJ, TM), European (AT, BE, BG, CH, CY, CZ, DE, DK, EE, ES, FI, FR, GB, GR, HU, IE, IT, LU, MC, NL, PL, PT, RO, SE, SI, SK, TR), OAPI (BF, BJ, CF, CG, CI, CM, GA, GN, GQ, GW, ML, MR, NE, SN, TD, TG).

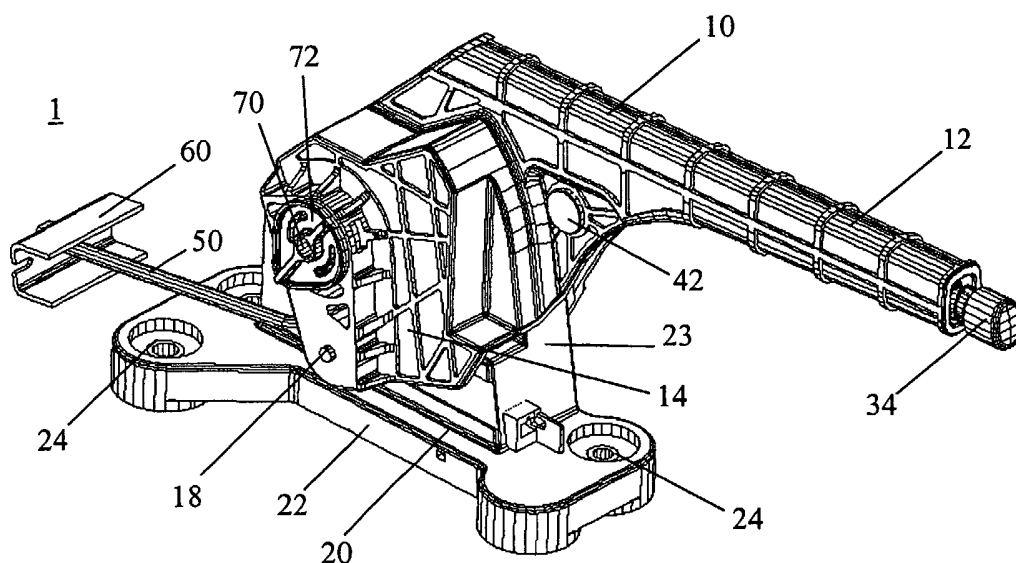
(72) Inventors; and

(75) Inventors/Applicants (for US only): **BARRIOS VILLÁ, Josep** [ES/ES]; C/Bages 3, E-08233 Vacarisses (ES). **TERRADAS PRAT, Jaume** [ES/ES]; C/Rosselló 492, 2° 2a, E-08025 Barcelona (ES). **SANCHEZ REVILLA, Eduardo** [ES/ES]; C/Serra Camaro 18, E-08026 Sabadell (ES). **GRAS, David, Alonso** [ES/ES]; Av. Rius i Taulet 34, 3° 3a, E-08190 Sant Cugat del Vallés (ES). **PARDO**

Published:
— with international search report

[Continued on next page]

(54) Title: PARKING BRAKE LEVER UNIT



(57) Abstract: The present Invention relates to a parking brake lever unit 1 for the use in a motor vehicle, comprising a parking brake lever 10 made of plastic material, a support 20 made of plastic material, at which the parking brake lever 1 is pivotably supported and a locking unit 40, 26, comprising a pawl 40, which is mounted at the parking brake lever 10, and a ratchet insert 26, wherein the ratchet insert 26 comprises of a metal and is over molded within the support 20.

WO 2004/087476 A3



(88) Date of publication of the international search report:
23 December 2004

For two-letter codes and other abbreviations, refer to the "Guidance Notes on Codes and Abbreviations" appearing at the beginning of each regular issue of the PCT Gazette.

INTERNATIONAL SEARCH REPORT

International Application No
PCT/EP2004/003592

A. CLASSIFICATION OF SUBJECT MATTER IPC 7 B60T7/10		
According to International Patent Classification (IPC) or to both national classification and IPC		
B. FIELDS SEARCHED Minimum documentation searched (classification system followed by classification symbols) IPC 7 B60T		
Documentation searched other than minimum documentation to the extent that such documents are included in the fields searched		
Electronic data base consulted during the international search (name of data base and, where practical, search terms used) EPO-Internal, WPI Data, PAJ		
C. DOCUMENTS CONSIDERED TO BE RELEVANT		
Category °	Citation of document, with indication, where appropriate, of the relevant passages	Relevant to claim No.
A	EP 0 499 494 A (ROCKWELL AUTOMOTIVE BODY SYST) 19 August 1992 (1992-08-19) cited in the application abstract; figures 1,3	1
A	EP 0 933 270 A (FICO CABLES SA) 4 August 1999 (1999-08-04) cited in the application abstract; figure 7	1
A	EP 0 251 149 A (FOGGINI PROGETTI) 7 January 1988 (1988-01-07) cited in the application abstract; figures 1,3	1
	-/--	
<input checked="" type="checkbox"/> Further documents are listed in the continuation of box C. <input checked="" type="checkbox"/> Patent family members are listed in annex.		
° Special categories of cited documents :		
A document defining the general state of the art which is not considered to be of particular relevance *E* earlier document but published on or after the international filing date *L* document which may throw doubts on priority claim(s) or which is cited to establish the publication date of another citation or other special reason (as specified) *O* document referring to an oral disclosure, use, exhibition or other means *P* document published prior to the international filing date but later than the priority date claimed		*T* later document published after the international filing date or priority date and not in conflict with the application but cited to understand the principle or theory underlying the invention *X* document of particular relevance; the claimed invention cannot be considered novel or cannot be considered to involve an inventive step when the document is taken alone *Y* document of particular relevance; the claimed invention cannot be considered to involve an inventive step when the document is combined with one or more other such documents, such combination being obvious to a person skilled in the art. *&* document member of the same patent family
Date of the actual completion of the international search 27 September 2004		Date of mailing of the international search report 06/10/2004
Name and mailing address of the ISA European Patent Office, P.B. 5818 Patentlaan 2 NL - 2280 HV Rijswijk Tel. (+31-70) 340-2040, Tx. 31 651 epo nl, Fax: (+31-70) 340-3016		Authorized officer Beckman, T

INTERNATIONAL SEARCH REPORT

International Application No

PCT/EP2004/003592

C.(Continuation) DOCUMENTS CONSIDERED TO BE RELEVANT

Category °	Citation of document, with indication, where appropriate, of the relevant passages	Relevant to claim No.
A	GB 1 237 205 A (VAUXHALL LTD) 30 June 1971 (1971-06-30) figure 1 column 2, paragraph 72 - paragraph 91 -----	1
A	DE 43 21 610 A (UNITED CARR GMBH TRW) 19 January 1995 (1995-01-19) abstract; figure 3 -----	1
A	US 5 950 496 A (RAMPP ARMIN) 14 September 1999 (1999-09-14) figure 3 -----	1

INTERNATIONAL SEARCH REPORT

International Application No
PCT/EP2004/003592

Patent document cited in search report		Publication date		Patent family member(s)	Publication date
EP 0499494	A	19-08-1992	FR	2672554 A1	14-08-1992
			BR	9200443 A	20-10-1992
			CA	2060450 A1	12-08-1992
			DE	69202264 D1	08-06-1995
			DE	69202264 T2	25-01-1996
			EP	0499494 A1	19-08-1992
			ES	2074833 T3	16-09-1995
			JP	4310456 A	02-11-1992
			MX	9200565 A1	01-08-1992
			US	5205184 A	27-04-1993
EP 0933270	A	04-08-1999	ES	2134124 A1	16-09-1999
			AU	4016097 A	15-05-1998
			BR	9714617 A	09-05-2000
			EP	0933270 A1	04-08-1999
			US	6260435 B1	17-07-2001
			WO	9817512 A1	30-04-1998
EP 0251149	A	07-01-1988	IT	208021 Z2	31-03-1988
			EP	0251149 A2	07-01-1988
			JP	63025160 A	02-02-1988
			US	4770057 A	13-09-1988
GB 1237205	A	30-06-1971	NONE		
DE 4321610	A	19-01-1995	DE	4321610 A1	19-01-1995
US 5950496	A	14-09-1999	DE	9405849 U1	18-05-1995
			DE	59500863 D1	27-11-1997
			WO	9527642 A1	19-10-1995
			EP	0754135 A1	22-01-1997
			ES	2108580 T3	16-12-1997