



US00D720440S

(12) **United States Design Patent**
Roake

(10) **Patent No.:** **US D720,440 S**

(45) **Date of Patent:** **** Dec. 30, 2014**

(54) **HEATING APPARATUS**

(71) Applicant: **Heat Ranger Limited**, Hamilton (NZ)

(72) Inventor: **Richard John Roake**, Hamilton (NZ)

(73) Assignee: **Heat Ranger Limited**, Hamilton (NZ)

(**) Term: **14 Years**

(21) Appl. No.: **29/478,092**

(22) Filed: **Dec. 31, 2013**

(30) **Foreign Application Priority Data**

Jul. 2, 2013 (NZ) 417741

(51) **LOC (10) Cl.** **23-03**

(52) **U.S. Cl.**
USPC **D23/332**

(58) **Field of Classification Search**
USPC D23/314, 317, 332, 338, 339, 340, 342,
D23/343, 346; 26/523; 126/527, 536, 544,
126/555, 25 R, 58, 8, 512, 92 R

See application file for complete search history.

(56) **References Cited**

U.S. PATENT DOCUMENTS

D237,083 S * 10/1975 Chase D23/348

D250,596 S * 12/1978 Jonas D23/348

D469,861 S * 2/2003 Garafolo et al. D23/348

* cited by examiner

Primary Examiner — T. Chase Nelson

Assistant Examiner — Ania Aman

(74) *Attorney, Agent, or Firm* — Young & Thompson

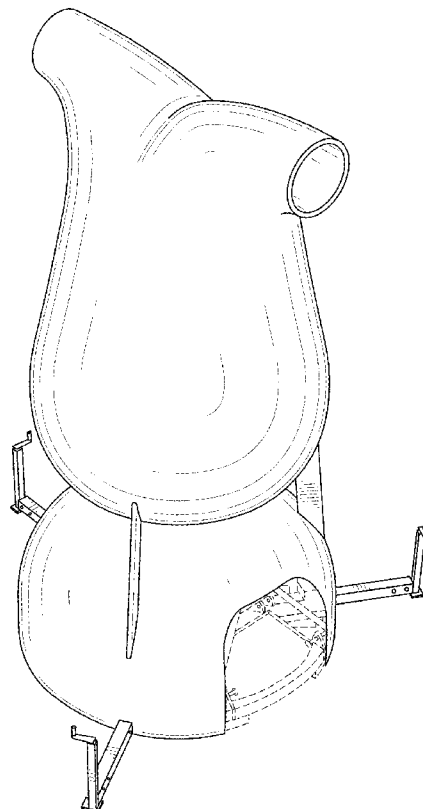
(57) **CLAIM**

The ornamental design for a heating apparatus, as shown and described.

DESCRIPTION

FIG. 1 is a front, right side and top perspective view of a heating apparatus showing the new design; FIG. 2 is a front elevation view thereof; FIG. 3 is a right side elevation view thereof; FIG. 4 is a left side elevation view thereof; FIG. 5 is a rear elevation view thereof; FIG. 6 is a top plan view thereof; and, FIG. 7 is a bottom plan view thereof. The portions of the design shown in broken lines show unclaimed subject matter.

1 Claim, 7 Drawing Sheets



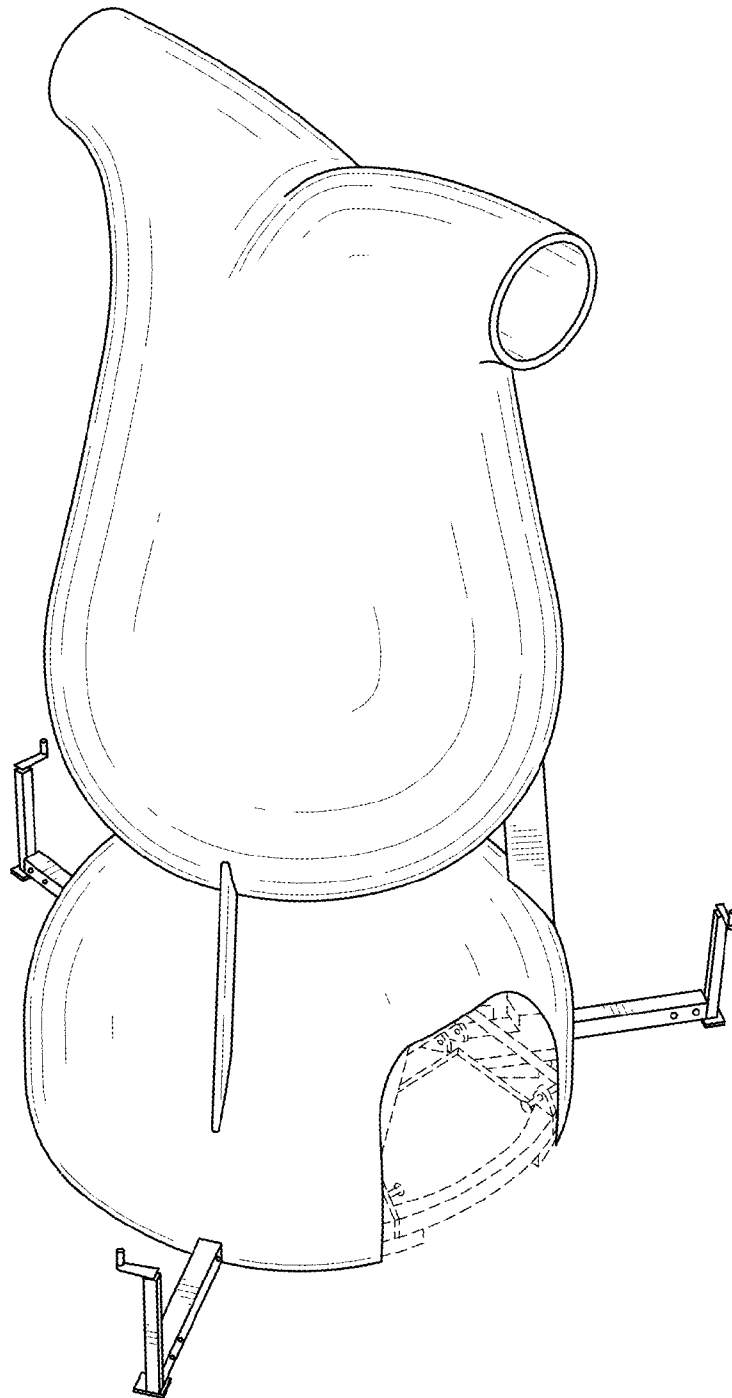


FIG.1

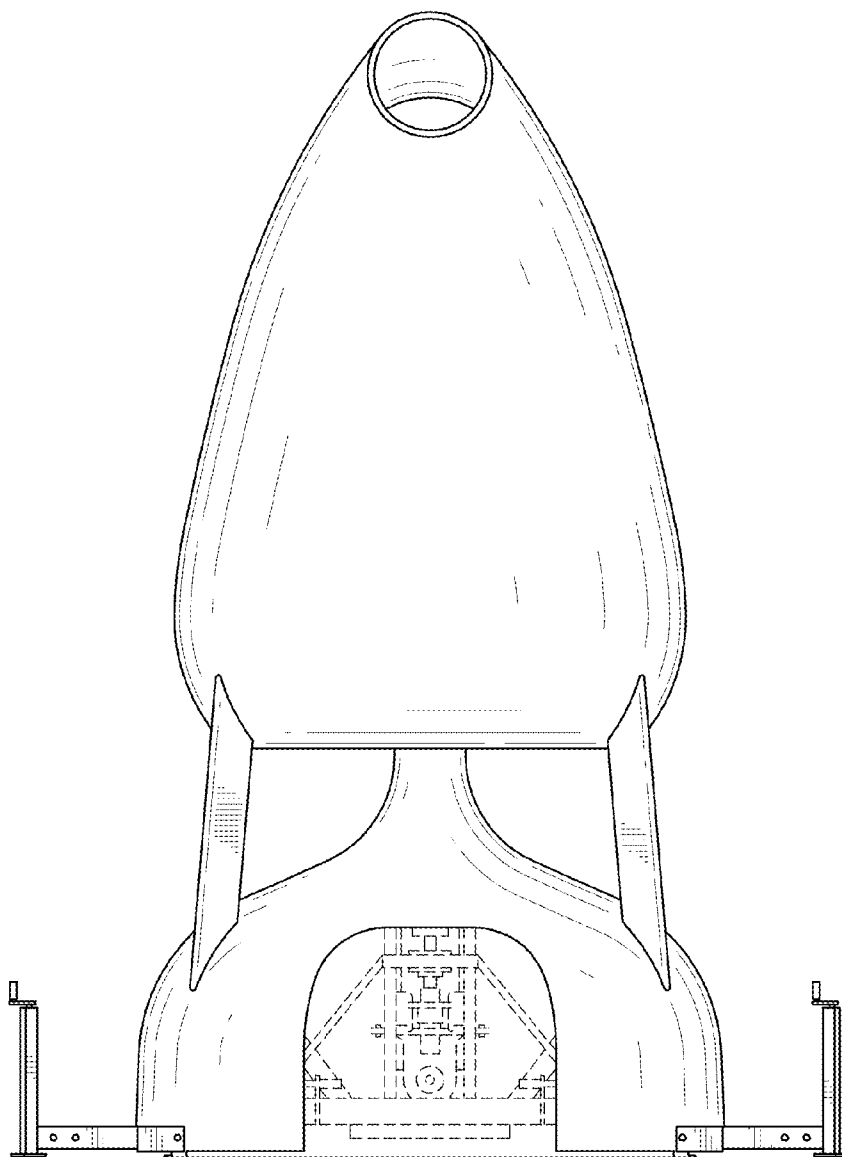


FIG.2

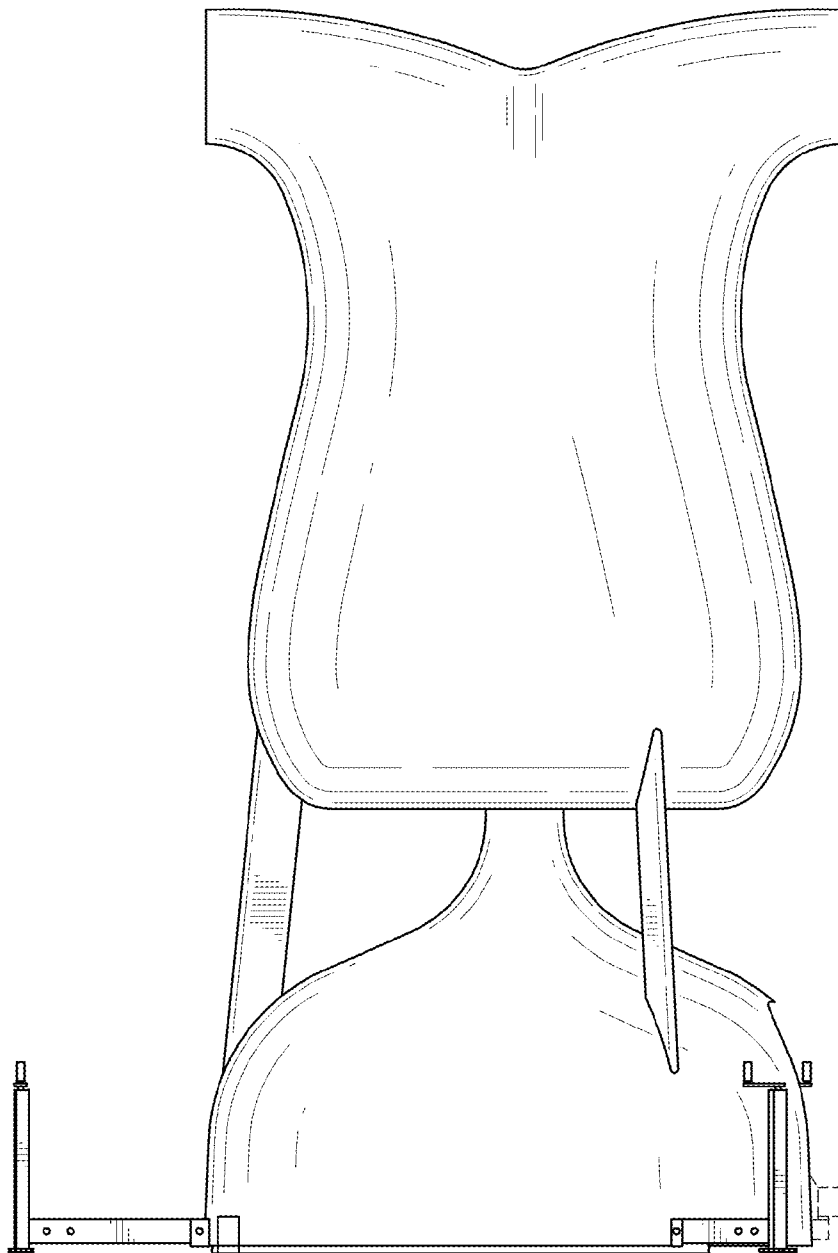


FIG.3

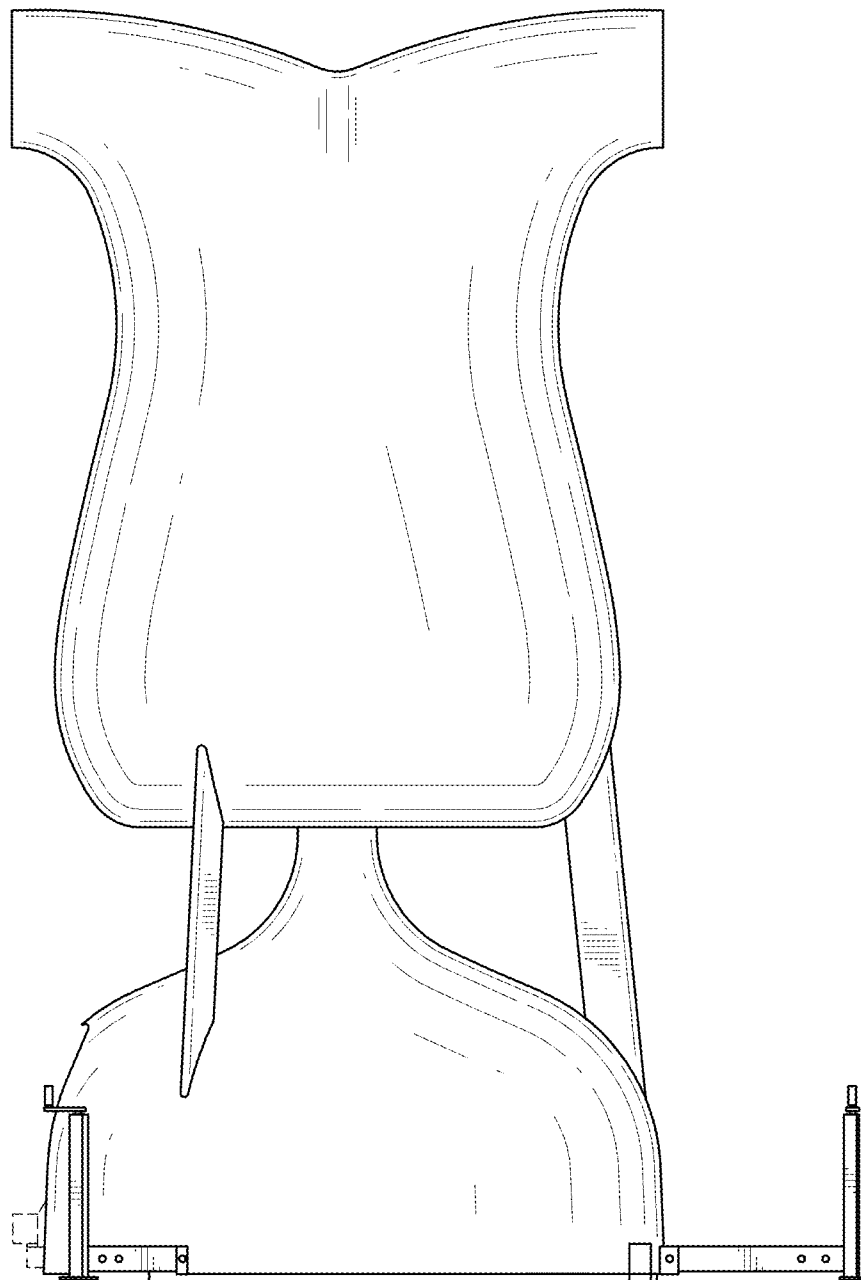


FIG.4

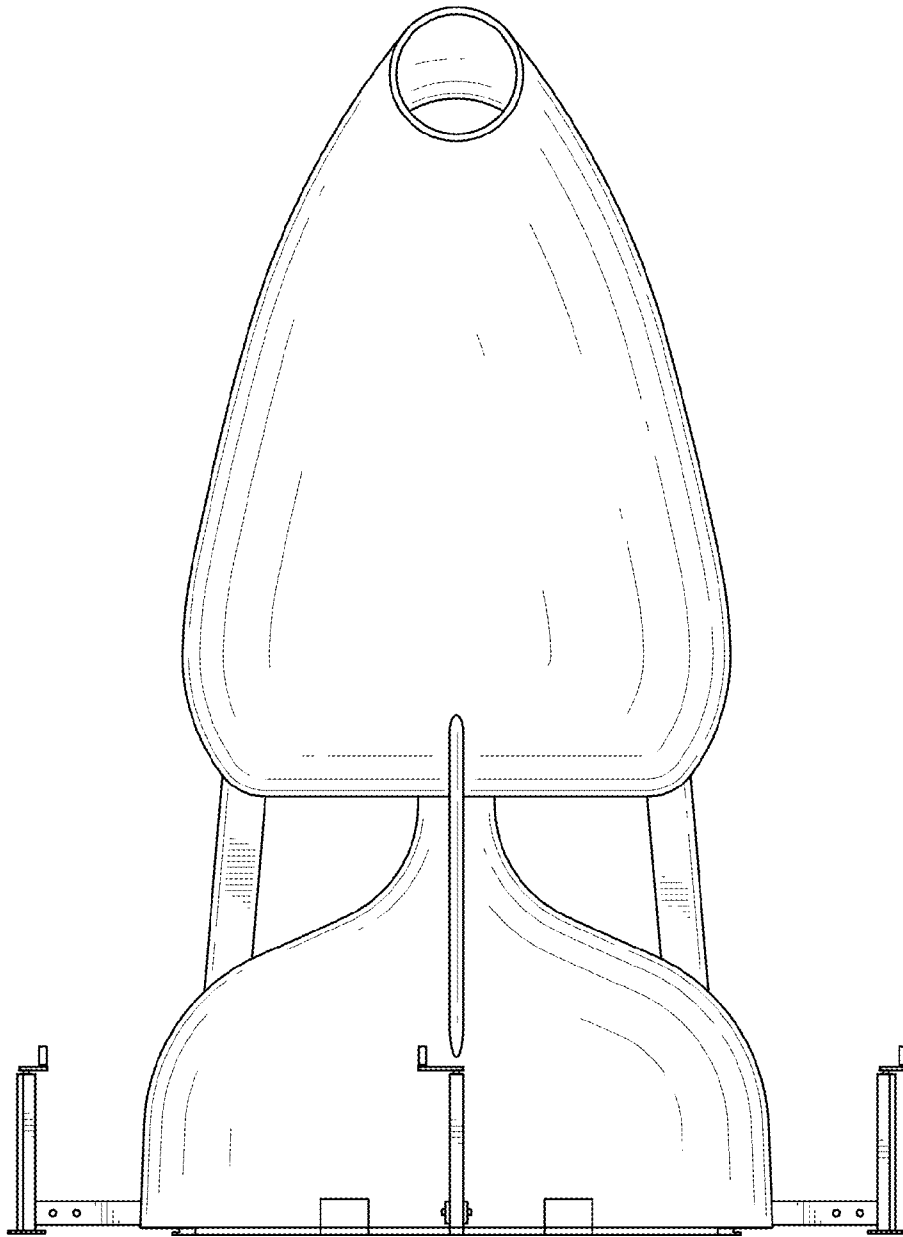


FIG.5

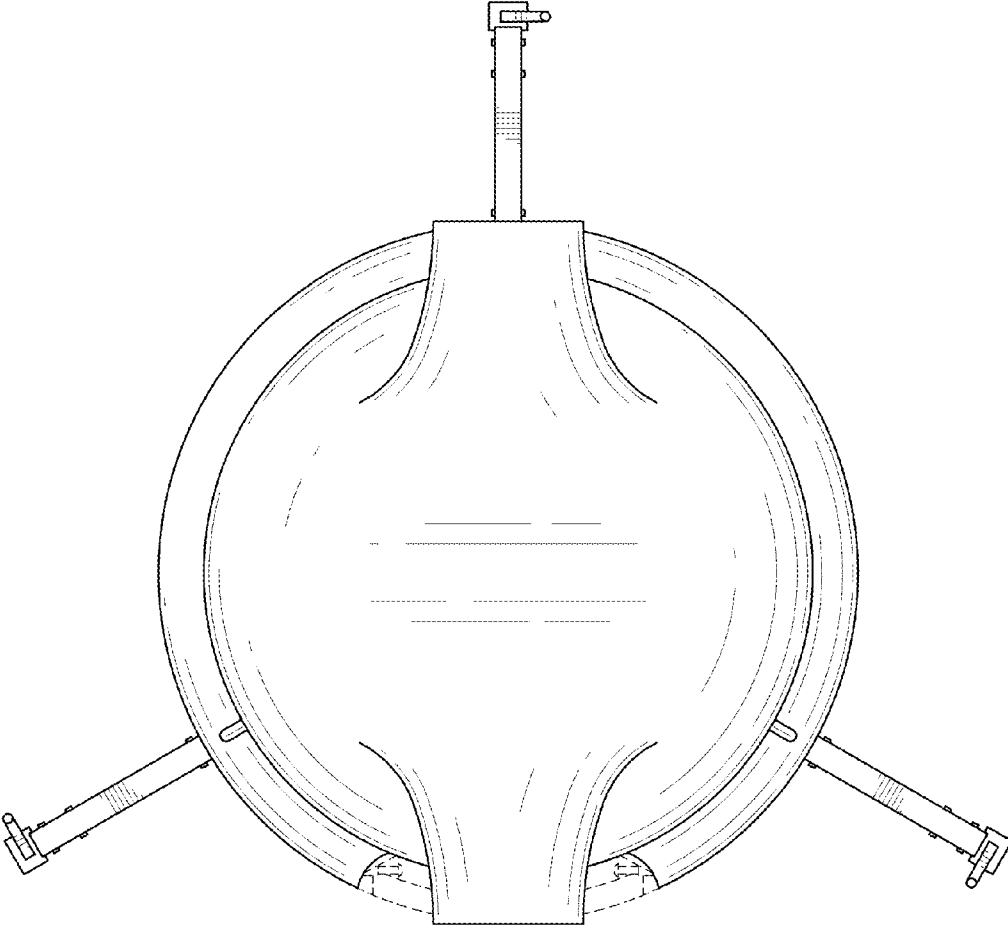


FIG.6

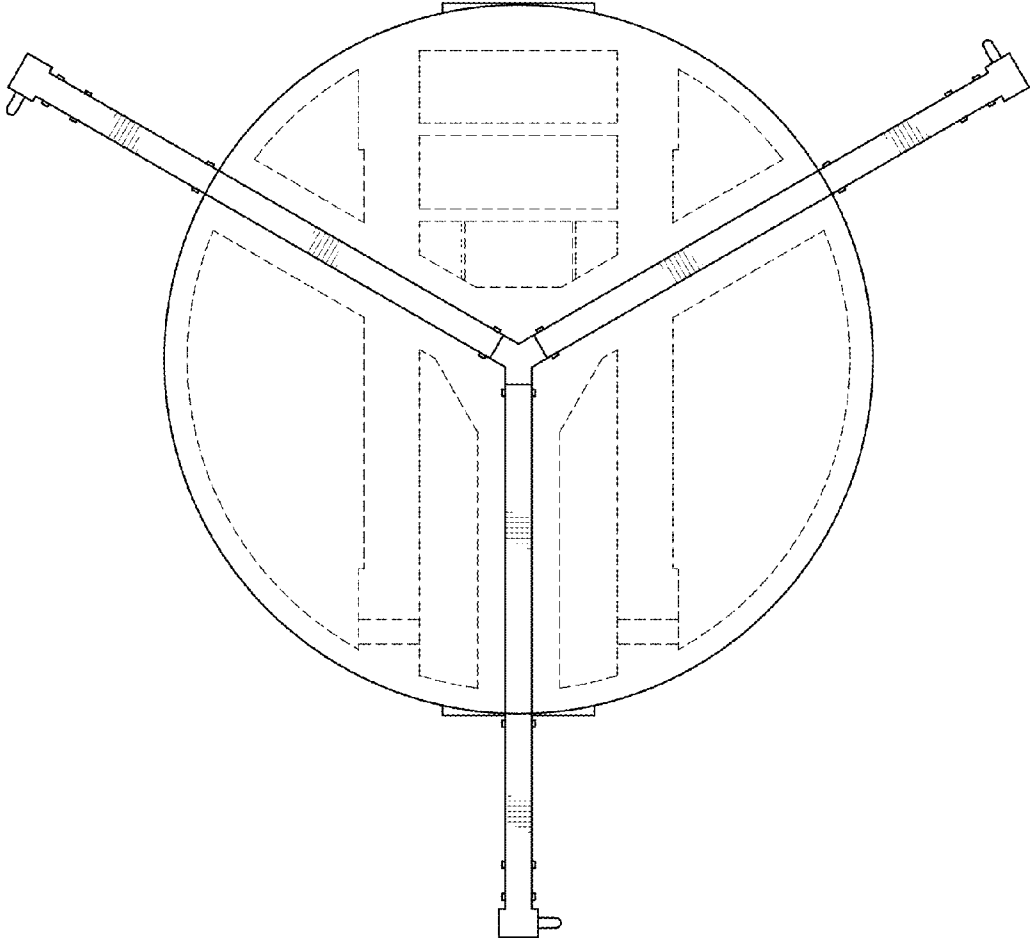


FIG.7