



US00D521450S

(12) **United States Design Patent**
Stratford

(10) **Patent No.:** **US D521,450 S**

(45) **Date of Patent:** **** May 23, 2006**

(54) **RECHARGING BASE FOR A CORDLESS
HAND TOOL**

(75) Inventor: **Mark Stratford**, Darlington (GB)

(73) Assignee: **Black & Decker Inc.**, Newark, DE
(US)

(**) Term: **14 Years**

(21) Appl. No.: **29/227,949**

(22) Filed: **Apr. 15, 2005**

Related U.S. Application Data

(62) Division of application No. 29/191,871, filed on Oct. 15,
2003.

(51) **LOC (8) Cl.** **13-02**

(52) **U.S. Cl.** **D13/108**

(58) **Field of Classification Search** D13/107-110,
D13/118-119, 184; D14/251, 253, 432, 434;
D32/31, 73; 320/107-115

See application file for complete search history.

(56) **References Cited**

U.S. PATENT DOCUMENTS

2,036,789 A	4/1936	Baker
D231,658 S	5/1974	Stauft
D247,341 S	2/1978	Pelly
4,209,875 A	7/1980	Pugh et al.
4,225,814 A	9/1980	Gantz et al.
D257,661 S	12/1980	Gantz
D265,899 S	8/1982	House, II
D278,278 S	4/1985	McCloskey
D288,015 S	1/1987	Verdier et al.
D289,631 S	5/1987	Osit
4,716,352 A	12/1987	Hurn et al.
4,841,594 A	6/1989	Elson et al.
D306,225 S	2/1990	Correa
4,928,346 A	5/1990	Elson et al.
4,934,020 A	6/1990	Jackson
D313,831 S	1/1991	Gildersleeve
D314,846 S	2/1991	deBlois

D315,622 S	3/1991	deBlois et al.
5,043,650 A	8/1991	Bhagwat et al.
5,092,015 A	3/1992	Kosten et al.
D325,271 S	4/1992	Osit
5,105,505 A	4/1992	Reed, Jr.
D327,342 S	6/1992	Leung

(Continued)

FOREIGN PATENT DOCUMENTS

DE	M 92 09 313	6/1992
DE	402 04 204	12/2001
DE	402 05 147	6/2002
WO	DM/031 691	8/1994
WO	DM/035 050	12/1995
WO	DM/039 209	2/1997
WO	DM/054 899	3/2000
WO	DM/061 449	11/2001

Primary Examiner—Alan P. Douglas

Assistant Examiner—Rosemary Tarca

(74) *Attorney, Agent, or Firm*—Harness, Dickey & Pierce,
P.L.C.

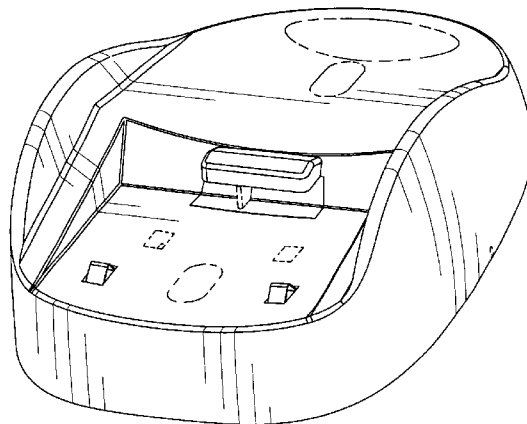
(57) **CLAIM**

The ornamental design for a recharging base for a cordless hand tool, as shown and described.

DESCRIPTION

FIG. 1 is a front perspective view of a recharging base showing our new design; FIG. 2 is a rear perspective view of the recharging base of FIG. 1; FIG. 3 is a front elevation view of the recharging base of FIG. 1; FIG. 4 is a left side elevation view of the recharging base of FIG. 1; FIG. 5 is a left side elevation view of the recharging base of FIG. 1, the right side being a mirror image thereof; and, FIG. 6 is a top plan view of the recharging base of FIG. 1. The broken lines in FIGS. 1 through 3 and 6 form no part of the claimed design.

1 Claim, 3 Drawing Sheets



US D521,450 S

Page 2

U.S. PATENT DOCUMENTS

5,134,751 A	8/1992	Reed, Jr. et al.		D437,983 S	2/2001	Stratford	
5,144,217 A	9/1992	Gardner et al.		D440,719 S	4/2001	Stratford	
5,148,094 A	9/1992	Parks et al.		D440,720 S	4/2001	Stratford	
D352,141 S	11/1994	Correa et al.		D440,936 S	*	4/2001	Burns D13/108
D355,058 S	1/1995	Phelan		D441,151 S	4/2001	Stratford	
D356,191 S	3/1995	Phelan		D441,152 S	4/2001	Stratford	
D358,364 S	* 5/1995	Siddoway	D13/108	D441,926 S	5/2001	Stratford	
D361,979 S	* 9/1995	Shirakawa et al.	D13/108	D443,004 S	5/2001	Chan	
D371,650 S	7/1996	Dingelstad		D443,740 S	6/2001	Stratford	
D379,690 S	6/1997	Howell et al.		D444,926 S	7/2001	Stratford	
D380,729 S	* 7/1997	Richards et al.	D13/108	D445,974 S	7/2001	Stratford	
D387,516 S	12/1997	Murray et al.		D445,975 S	7/2001	Stratford	
D400,166 S	10/1998	Concari et al.		D448,724 S	* 10/2001	Hsiao	D13/107
D400,499 S	11/1998	Bunyea		D458,424 S	6/2002	Chen	
D409,976 S	5/1999	Buck		D460,412 S	7/2002	Nawrozki	
5,966,774 A	10/1999	Bone et al.		D461,447 S	8/2002	Nawrozki	
D417,430 S	* 12/1999	Ko	D13/107	D463,359 S	9/2002	Nawrozki	
D418,108 S	12/1999	Snider		D463,632 S	9/2002	Stratford	
D421,671 S	3/2000	Thomas et al.		D463,633 S	9/2002	Stratford	
6,108,864 A	8/2000	Thomas et al.		D466,476 S	* 12/2002	Stratford	D13/108
6,160,389 A	12/2000	Watts		D475,417 S	* 6/2003	Wintersteiger	D21/329
D436,576 S	* 1/2001	Herrmann et al.	D13/107				

(Continued)

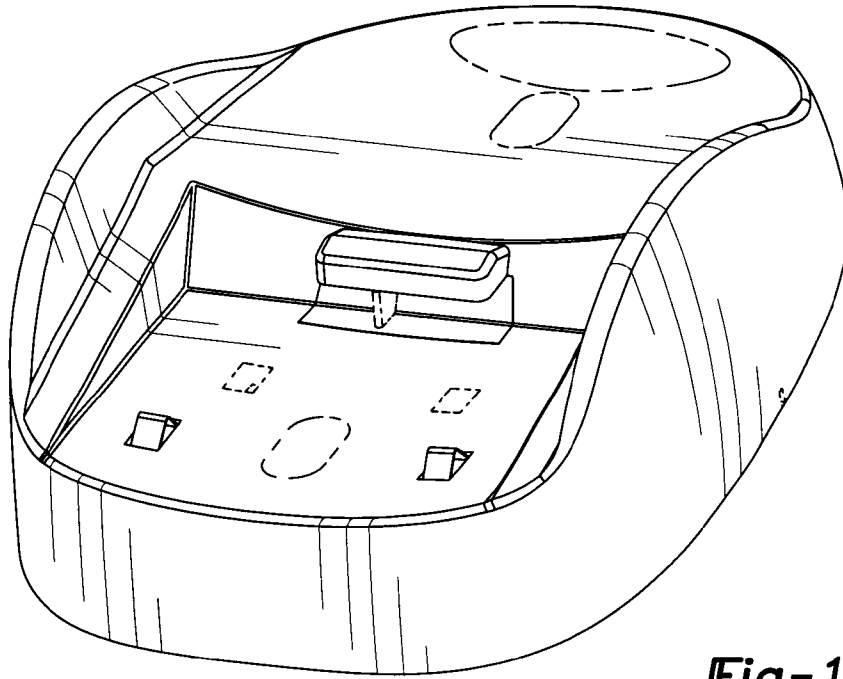


Fig-1

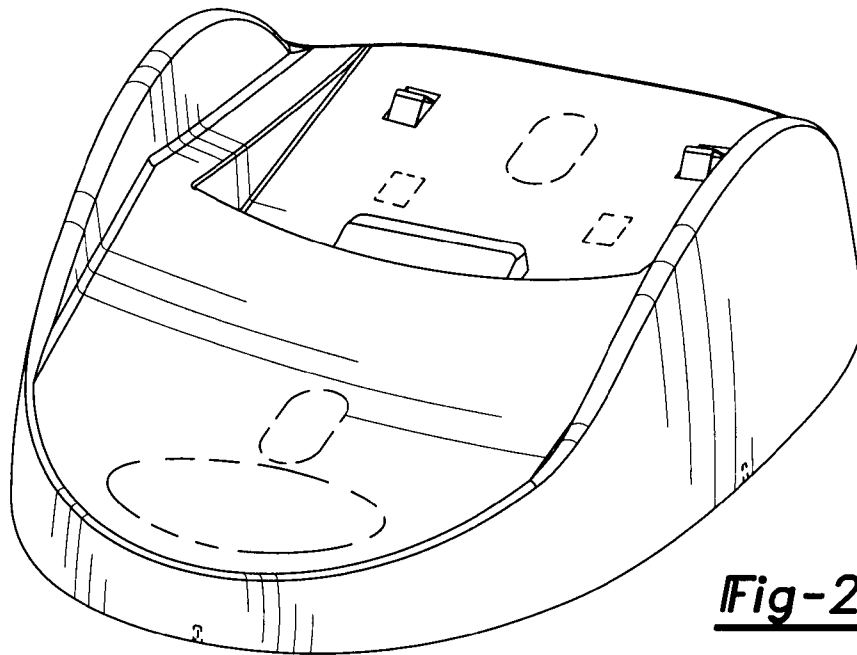


Fig-2

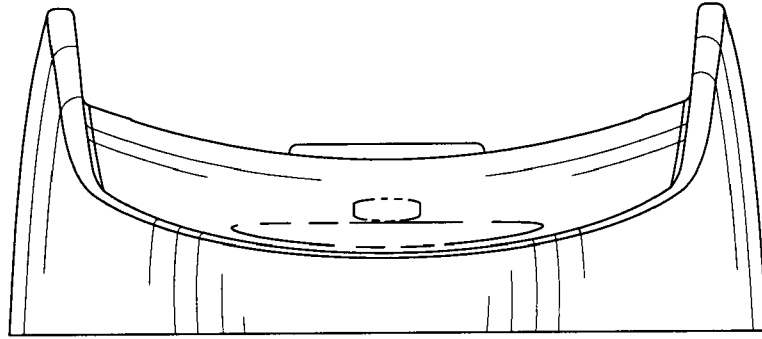


Fig-3

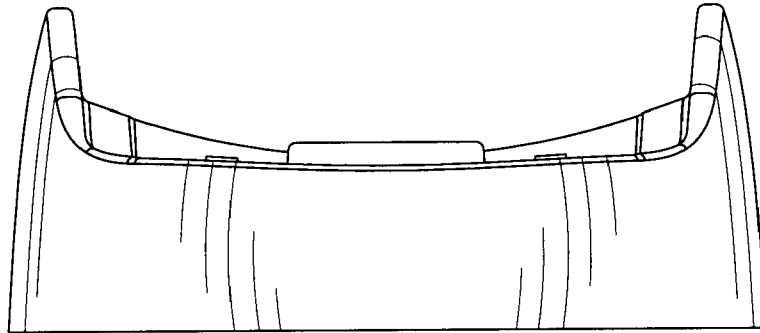


Fig-4

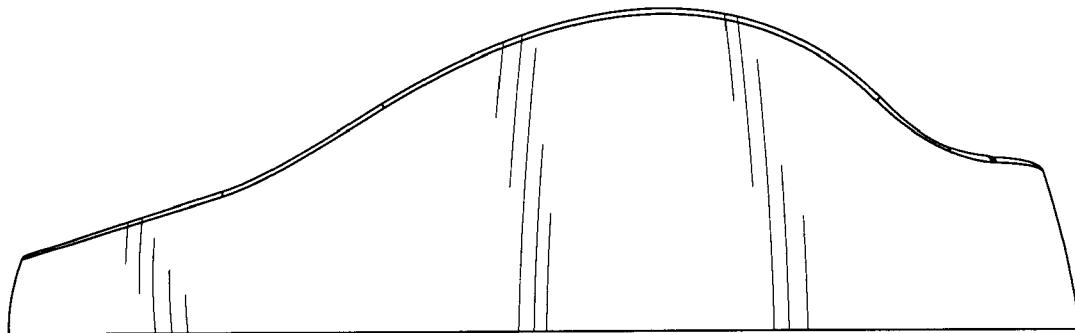


Fig-5

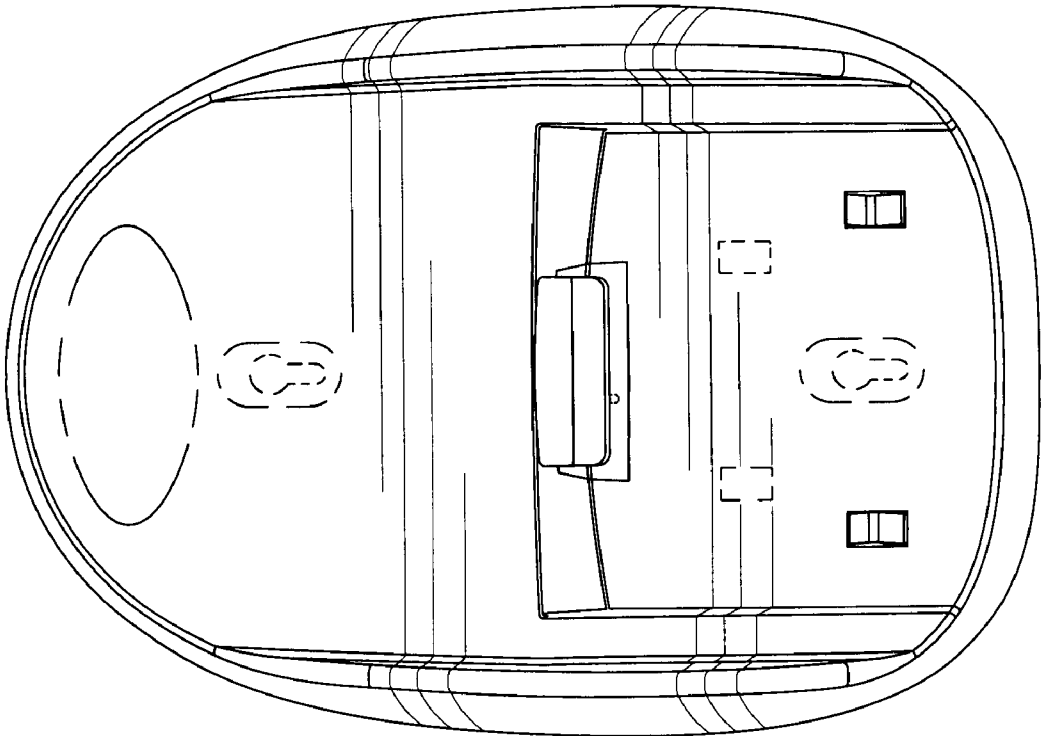


Fig-6