

(19) World Intellectual Property Organization  
International Bureau



(43) International Publication Date  
11 October 2001 (11.10.2001)

PCT

(10) International Publication Number  
WO 01/075579 A3

(51) International Patent Classification<sup>7</sup>: G06F 3/033

(21) International Application Number: PCT/US01/10465

(22) International Filing Date: 30 March 2001 (30.03.2001)

(25) Filing Language: English

(26) Publication Language: English

(30) Priority Data:  
09/541,434 31 March 2000 (31.03.2000) US

(81) Designated States (*national*): AE, AG, AL, AM, AT, AU, AZ, BA, BB, BG, BR, BY, BZ, CA, CH, CN, CO, CR, CU, CZ, DE, DK, DM, DZ, EE, ES, FI, GB, GD, GE, GH, GM, HR, HU, ID, IL, IN, IS, JP, KE, KG, KP, KR, KZ, LC, LK, LR, LS, LT, LU, LV, MA, MD, MG, MK, MN, MW, MX, MZ, NO, NZ, PL, PT, RO, RU, SD, SE, SG, SI, SK, SL, TJ, TM, TR, TT, TZ, UA, UG, UZ, VN, YU, ZA, ZW.

(84) Designated States (*regional*): ARIPO patent (GH, GM, KE, LS, MW, MZ, SD, SL, SZ, TZ, UG, ZW), Eurasian patent (AM, AZ, BY, KG, KZ, MD, RU, TJ, TM), European patent (AT, BE, CH, CY, DE, DK, ES, FI, FR, GB, GR, IE, IT, LU, MC, NL, PT, SE, TR), OAPI patent (BF, BJ, CF, CG, CI, CM, GA, GN, GW, ML, MR, NE, SN, TD, TG).

(71) Applicant: QUALCOMM INCORPORATED [US/US];  
5775 Morehouse Drive, San Diego, CA 92121-1714 (US).

Published:  
— with international search report

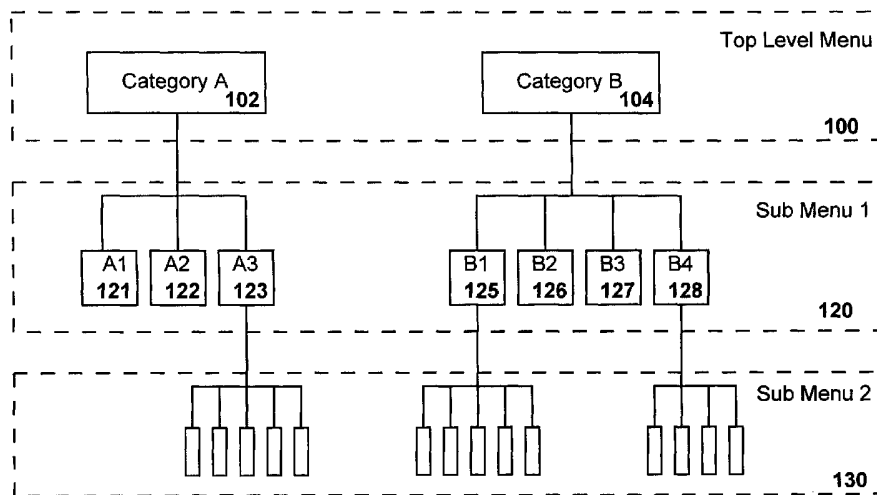
(72) Inventor: BEITH, Scott, D.; 11120 Socorro Street, San Diego, CA 92120 (US).

(88) Date of publication of the international search report:  
17 October 2002

(74) Agents: WADSWORTH, Philip, R. et al.; Qualcomm Incorporated, 5775 Morehouse Drive, San Diego, CA 92121-1714 (US).

For two-letter codes and other abbreviations, refer to the "Guidance Notes on Codes and Abbreviations" appearing at the beginning of each regular issue of the PCT Gazette.

(54) Title: METHOD AND APPARATUS FOR ELECTRONIC DEVICE FEATURE ACCESS



(57) Abstract: A simplified user interface for accessing multiple features resident in an electronic device. A higher level menu includes a location application. The user launches the location application and enters a name or partial name of a feature or application the user wishes to locate. The application then displays to the user a list of features that most closely match the user entry. The user can then choose one of the displayed features or applications. The user is also provided the opportunity to scroll through a list of available features within the device. If the user accesses a feature from the list the corresponding control display is presented to the user. If the user accesses an application from the list the application is immediately launched. The high level application allows the user to access features and launch applications without navigating the menu structure.

WO 01/075579 A3

INTERNATIONAL SEARCH REPORT

International Application No

PCT/US 01/10465

<b>A. CLASSIFICATION OF SUBJECT MATTER</b> IPC 7 G06F3/033		
According to International Patent Classification (IPC) or to both national classification and IPC		
<b>B. FIELDS SEARCHED</b> Minimum documentation searched (classification system followed by classification symbols) IPC 7 G06F H04M		
Documentation searched other than minimum documentation to the extent that such documents are included in the fields searched		
Electronic data base consulted during the international search (name of data base and, where practical, search terms used) EPO-Internal, WPI Data, PAJ, IBM-TDB		
<b>C. DOCUMENTS CONSIDERED TO BE RELEVANT</b>		
Category °	Citation of document, with indication, where appropriate, of the relevant passages	Relevant to claim No.
X	WO 99 33244 A (ERICSSON TELEFON AB L M) 1 July 1999 (1999-07-01) the whole document	1-4,6-17
Y	---	5,18
X	US 5 263 174 A (LAYMAN ANDREW J) 16 November 1993 (1993-11-16) abstract column 1, line 12 -column 4, line 37; figures 1A-2C	1-4,6-9, 12,17
Y	WO 99 37075 A (KRAVITZ SCOTT ;MUGURA KAZUTO (US); SCIAMMARELLA EDUARDO (US); SONY) 22 July 1999 (1999-07-22) abstract page 10, line 22 -page 11, line 23; figures 2-6	5,18
	---	
	---	
	---/--	
<input checked="" type="checkbox"/> Further documents are listed in the continuation of box C. <input checked="" type="checkbox"/> Patent family members are listed in annex.		
° Special categories of cited documents :		
<ul style="list-style-type: none"> <li>*A* document defining the general state of the art which is not considered to be of particular relevance</li> <li>*E* earlier document but published on or after the international filing date</li> <li>*L* document which may throw doubts on priority claim(s) or which is cited to establish the publication date of another citation or other special reason (as specified)</li> <li>*O* document referring to an oral disclosure, use, exhibition or other means</li> <li>*P* document published prior to the international filing date but later than the priority date claimed</li> <li>*T* later document published after the international filing date or priority date and not in conflict with the application but cited to understand the principle or theory underlying the invention</li> <li>*X* document of particular relevance; the claimed invention cannot be considered novel or cannot be considered to involve an inventive step when the document is taken alone</li> <li>*Y* document of particular relevance; the claimed invention cannot be considered to involve an inventive step when the document is combined with one or more other such documents, such combination being obvious to a person skilled in the art.</li> <li>* &amp; * document member of the same patent family</li> </ul>		
Date of the actual completion of the international search 19 July 2002		Date of mailing of the international search report 30/07/2002
Name and mailing address of the ISA European Patent Office, P.B. 5818 Patentlaan 2 NL - 2280 HV Rijswijk Tel. (+31-70) 340-2040, Tx. 31 651 epo nl, Fax: (+31-70) 340-3016		Authorized officer Davenport, K

## INTERNATIONAL SEARCH REPORT

International Application No

PCT/US 01/10465

## C.(Continuation) DOCUMENTS CONSIDERED TO BE RELEVANT

Category °	Citation of document, with indication, where appropriate, of the relevant passages	Relevant to claim No.
A	PATENT ABSTRACTS OF JAPAN vol. 1999, no. 12, 29 October 1999 (1999-10-29) & JP 11 203046 A (SAMSUNG ELECTRON CO LTD), 30 July 1999 (1999-07-30) abstract  -----	15, 16

# INTERNATIONAL SEARCH REPORT

Information on patent family members

International Application No

PCT/US 01/10465

Patent document cited in search report	Publication date	Publication date	Patent family member(s)	Publication date
WO 9933244	A	01-07-1999	US 6198939 B1	06-03-2001
			AU 2193099 A	12-07-1999
			BR 9813804 A	24-10-2000
			CN 1285107 T	21-02-2001
			EE 200000353 A	15-10-2001
			EP 1040634 A1	04-10-2000
			WO 9933244 A1	01-07-1999
<hr/>				
US 5263174	A	16-11-1993	NONE	
<hr/>				
WO 9937075	A	22-07-1999	AU 1810099 A	02-08-1999
			WO 9937075 A1	22-07-1999
			US 2002054106 A1	09-05-2002
<hr/>				
JP 11203046	A	30-07-1999	NONE	
<hr/>				