



US00D723356S

(12) **United States Design Patent**
Simon

(10) **Patent No.:** **US D723,356 S**

(45) **Date of Patent:** **** Mar. 3, 2015**

(54) **DOWNSPOUT STAKE**

D363,875 S * 11/1995 Korb D8/373
5,553,975 A * 9/1996 Elkins 405/184.4
5,573,209 A 11/1996 Lindquist

(76) Inventor: **Thomas Simon**, Milwaukee, WI (US)

* cited by examiner

(**) Term: **14 Years**

Primary Examiner — Eric Goodman

(21) Appl. No.: **29/411,232**

(74) *Attorney, Agent, or Firm* — Boyle Fredrickson, S.C.

(22) Filed: **Jan. 18, 2012**

(51) **LOC (10) Cl.** **08-05**

(52) **U.S. Cl.**
USPC **D8/373**

(58) **Field of Classification Search**

USPC D8/349, 354, 371, 373, 382–384,
D8/387–389, 394–396; D6/88, 125;
248/65, 67.5, 68 R, 68 CB, 72, 74 R,
248/74 A, 300, 110; 24/255 R

See application file for complete search history.

(57) **CLAIM**

The ornamental design of a downspout stake, as shown and described.

DESCRIPTION

FIG. 1 is an isometric view of a first embodiment of a downspout stake incorporating my new design, wherein the portions illustrated in dotted lines form no part of the claimed design;

FIG. 2 is a front elevation view thereof; the rear elevation being a mirror image thereof;

FIG. 3 is a right side elevation view thereof, the left side elevation view being a mirror image thereof;

FIG. 4 is a top plan view thereof; and,

FIG. 5 is a bottom plan view thereof.

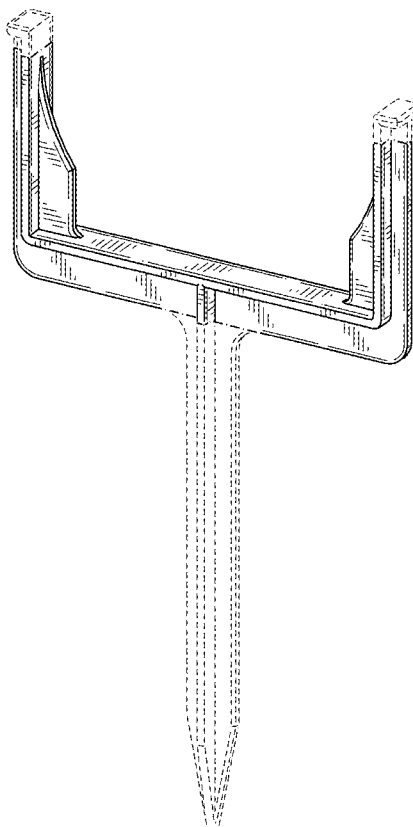
The broken line in the figures represents the bounds of the claimed design, while all other dotted lines are directed to environment and are for illustrative purposes only. None of the broken or dotted lines form part of the claimed design.

(56) **References Cited**

U.S. PATENT DOCUMENTS

149,651 A	4/1874	Gould	
344,236 A	6/1886	Berger	
516,576 A	3/1894	Roberts	
603,924 A	5/1898	Sauer	
3,652,045 A *	3/1972	Hirt	248/62
3,822,504 A *	7/1974	Kuehn et al.	47/62 R
4,047,683 A *	9/1977	Takeuchi	248/62
5,007,768 A *	4/1991	Waller	405/184.4
5,437,424 A *	8/1995	Netz, Sr.	248/49

1 Claim, 3 Drawing Sheets



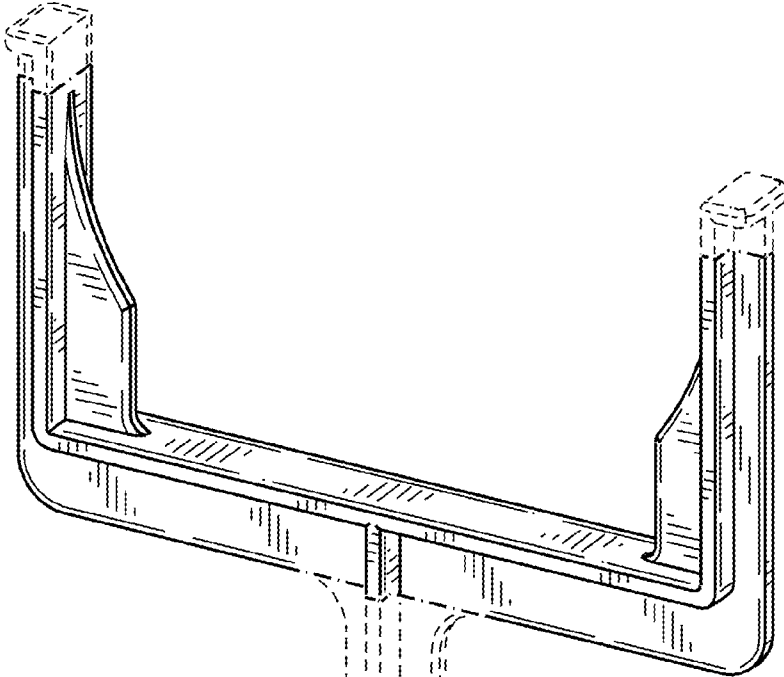
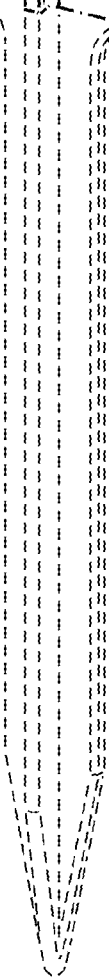


FIG. 1



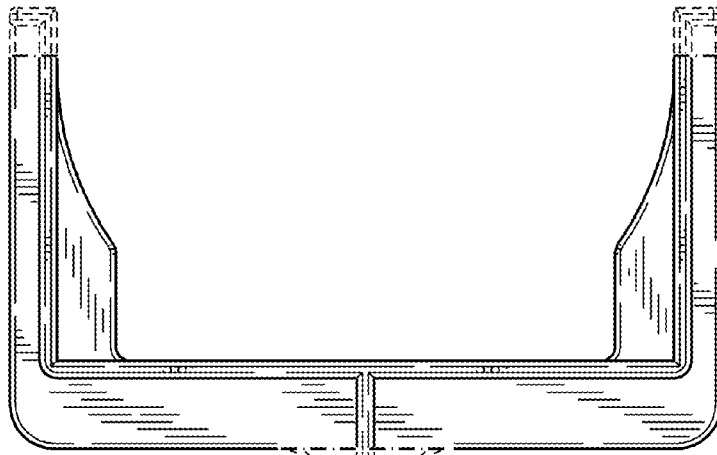


FIG. 2

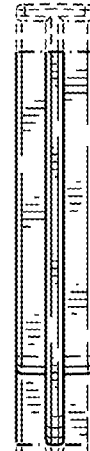


FIG. 3

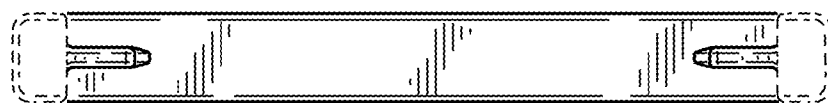


FIG. 4

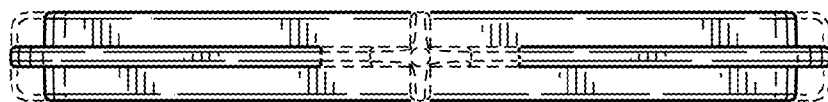


FIG. 5