



US00D715768S

(12) **United States Design Patent**
Ryu et al.

(10) **Patent No.:** **US D715,768 S**

(45) **Date of Patent:** **** Oct. 21, 2014**

(54) **SPEAKER**

(75) Inventors: **Junghan Ryu**, Seoul (KR); **Younsoo Kim**, Seoul (KR); **Wataru Takahashi**, Tokyo (JP); **Juyeon An**, Seoul (KR); **Gangho Woo**, Seoul (KR); **Jungwon Heo**, Seoul (KR)

(73) Assignee: **LG Electronics Inc.**, Seoul (KR)

(**) Term: **14 Years**

(21) Appl. No.: **29/422,427**

(22) Filed: **May 21, 2012**

(30) **Foreign Application Priority Data**

Jan. 19, 2012 (KR) 30-2012-0003097

(51) **LOC (10) Cl.** **14-03**

(52) **U.S. Cl.**
USPC **D14/214; D14/211**

(58) **Field of Classification Search**
USPC D14/167, 168, 170–172, 188, 194–196, D14/204, 207, 209.1, 210–216, 221, 222; 181/143, 144, 147, 148, 150, 153, 157, 181/198, 199; 381/300–303, 306, 332, 333, 381/336, 345, 361–364, 386–388; D13/107, 108; 455/344–351; 369/6–12

See application file for complete search history.

(56) **References Cited**

U.S. PATENT DOCUMENTS

D470,126	S	*	2/2003	Ljungberg et al.	D14/214
D520,494	S	*	5/2006	Aiba et al.	D14/214
D522,493	S	*	6/2006	Tanaka et al.	D14/214
D545,811	S	*	7/2007	Yamamoto et al.	D14/211
D578,997	S	*	10/2008	Takuma	D14/172
D582,390	S	*	12/2008	Hasegawa et al.	D14/214
D624,528	S	*	9/2010	Hoehn et al.	D14/214
D626,113	S	*	10/2010	Yoshida	D14/214
D653,239	S	*	1/2012	Kim et al.	D14/215
D660,284	S	*	5/2012	Carbone	D14/214
D669,883	S	*	10/2012	Cheng	D14/214
D681,009	S	*	4/2013	Meng et al.	D14/214

* cited by examiner

Primary Examiner — Keli L Hill
(74) *Attorney, Agent, or Firm* — Morgan, Lewis & Bockius LLP

(57) **CLAIM**
The ornamental design for a speaker, as shown and described.

DESCRIPTION

FIG. 1 is a front, right side, perspective view of a speaker showing our new design; FIG. 2 is a front view thereof; FIG. 3 is a rear view thereof; FIG. 4 is a left side view thereof; FIG. 5 is a right side view thereof; FIG. 6 is a top view thereof; and, FIG. 7 is a bottom view thereof. The broken lines shown in the drawings represent unclaimed portions of the speaker and form no part of the claimed design.

1 Claim, 2 Drawing Sheets

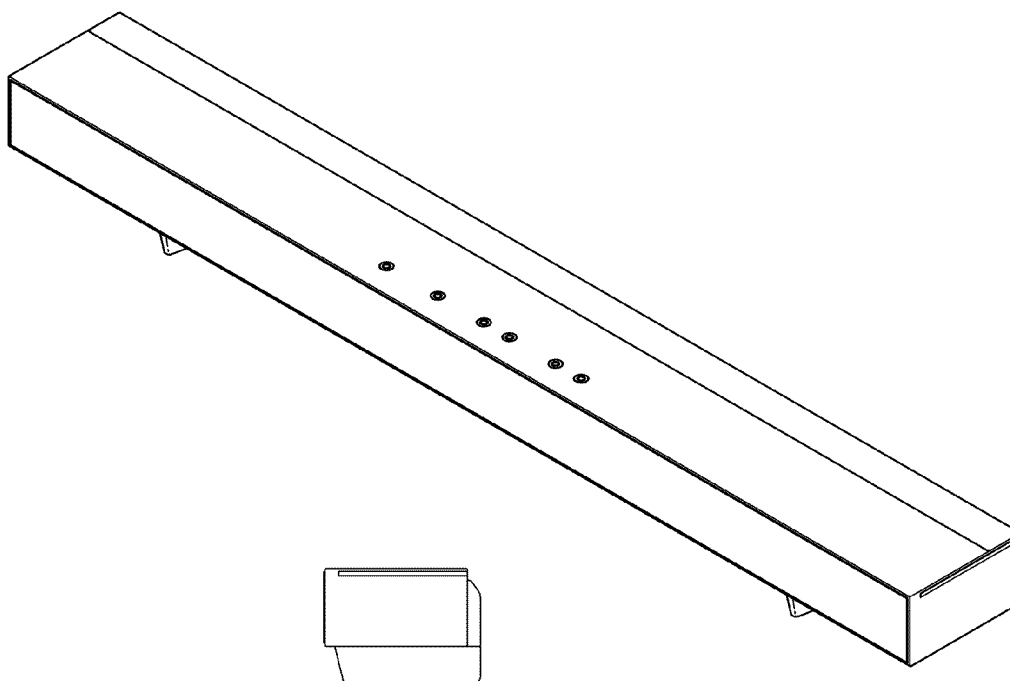


FIG. 1

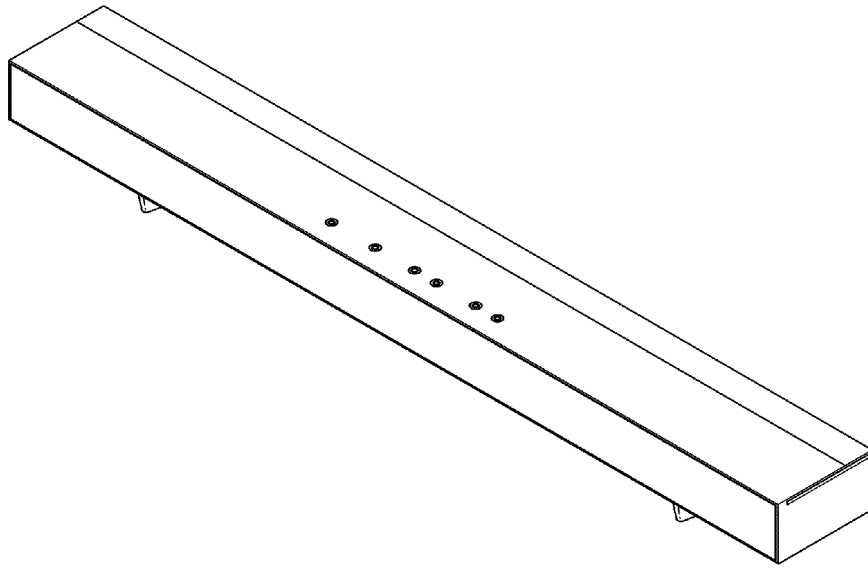


FIG. 2

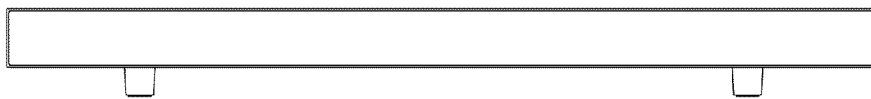


FIG. 3

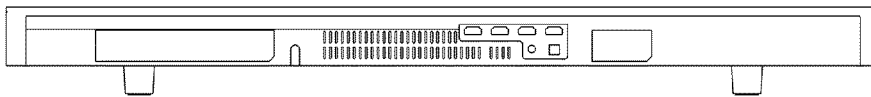


FIG. 4

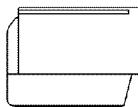


FIG. 5

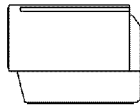


FIG. 6

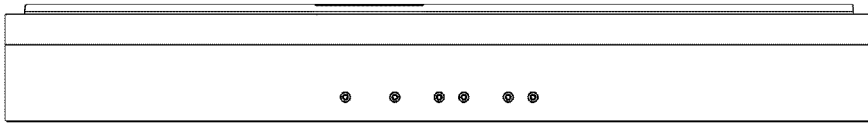


FIG. 7

