



US00D725849S

(12) **United States Design Patent**
So

(10) **Patent No.:** **US D725,849 S**

(45) **Date of Patent:** **** Mar. 31, 2015**

(54) **PORTION OF A BARK CONTROL RECEIVER**

(75) Inventor: **Min Jae So**, Seoul (KR)

(73) Assignee: **Dogtra Co., Ltd.** (KR)

(**) Term: **14 Years**

(21) Appl. No.: **29/426,187**

(22) Filed: **Jul. 2, 2012**

(51) **LOC (10) Cl.** **30-99**

(52) **U.S. Cl.**

USPC **D30/199**; D30/152

(58) **Field of Classification Search**

CPC . A01K 15/021; A01K 15/022; A01K 15/023;

A01K 15/04; A01K 11/006; A01K 27/009

USPC D30/144, 145, 151, 152, 153, 155, 199;

D10/104.1; 119/712, 718, 719, 720,

119/721, 856, 858, 859, 860; 340/573.1,

340/573.3, 573.4; 174/176, 188

See application file for complete search history.

(56) **References Cited**

U.S. PATENT DOCUMENTS

D410,206	S	*	5/1999	Slater	D10/104.1
D417,835	S	*	12/1999	Williams	D8/356
D478,830	S	*	8/2003	So	D30/199
D478,831	S	*	8/2003	So	D10/104.1
D482,979	S	*	12/2003	So	D10/104.1
6,928,958	B2	*	8/2005	Crist et al.	119/718
7,069,878	B2	*	7/2006	Mugford	119/712
D526,590	S	*	8/2006	So	D10/104.1
7,222,589	B2	*	5/2007	Lee et al.	119/718
7,252,051	B2	*	8/2007	Napolez et al.	119/718
7,503,285	B2	*	3/2009	Mainini et al.	119/719

7,607,406	B2	*	10/2009	So	119/719
2002/0139565	A1	*	10/2002	Bradford	174/188
2005/0235924	A1	*	10/2005	Lee et al.	119/718
2006/0283401	A1	*	12/2006	Mainini et al.	119/859
2007/0204804	A1	*	9/2007	Swanson et al.	119/721
2008/0134987	A1	*	6/2008	Lee et al.	119/718
2010/0050954	A1	*	3/2010	Lee et al.	119/718

OTHER PUBLICATIONS

Exhibition Guide, Interzoo 2012, May 2012, International Trade Fair for Pet Supplies, Nurnberg, Germany.

* cited by examiner

Primary Examiner — Martie K Holtje

(74) *Attorney, Agent, or Firm* — Cantor Colburn LLP

(57) **CLAIM**

The ornamental design for portion of a bark control receiver, as shown and described.

DESCRIPTION

FIG. 1 is a front perspective view of a portion of a bark control receiver showing my new design;

FIG. 2 is a front elevational view thereof;

FIG. 3 is a rear elevational view thereof;

FIG. 4 is a left side elevational view thereof;

FIG. 5 is a right side elevational view thereof;

FIG. 6 is a top plan view thereof;

FIG. 7 is a bottom plan view thereof; and,

FIG. 8 is a rear perspective view thereof.

The broken lines are shown for illustrative purposes only and form no part of the claimed design.

1 Claim, 8 Drawing Sheets

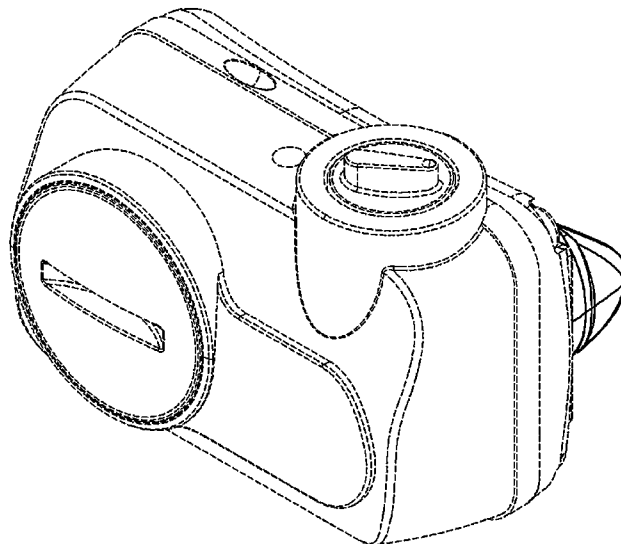


FIG. 1

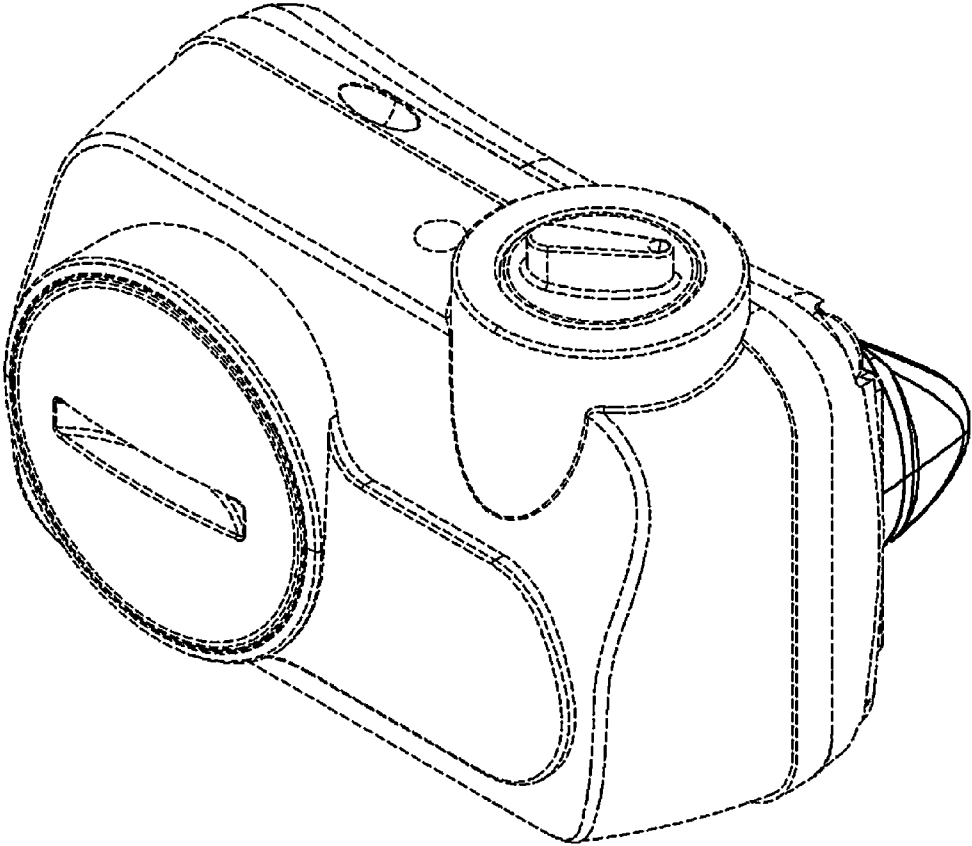


FIG. 2

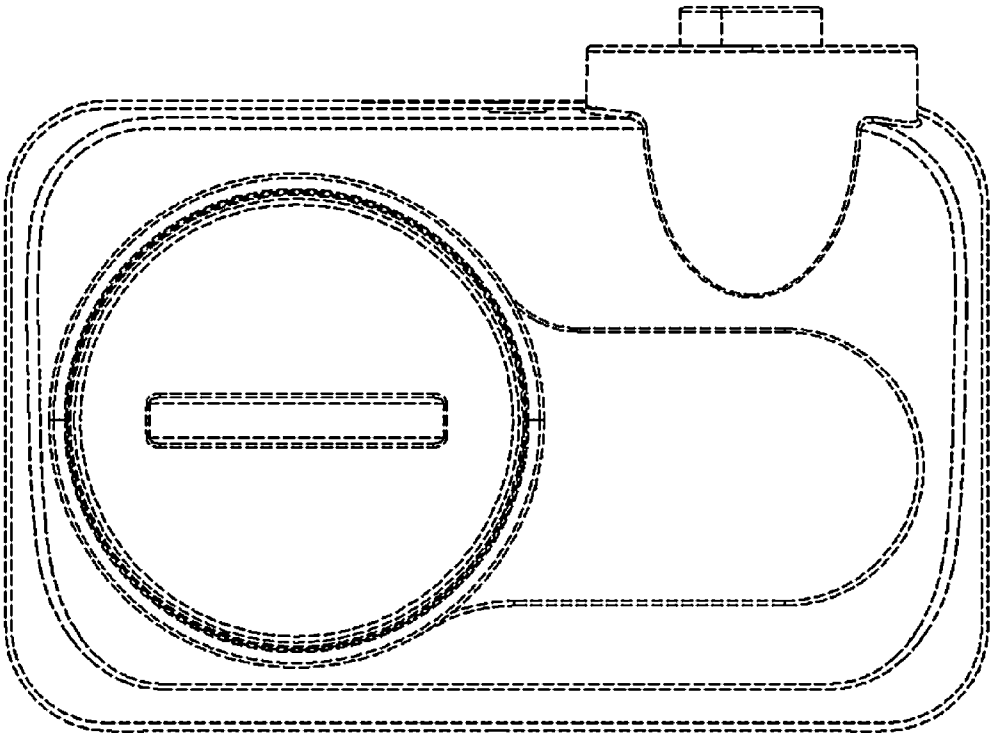


FIG. 3

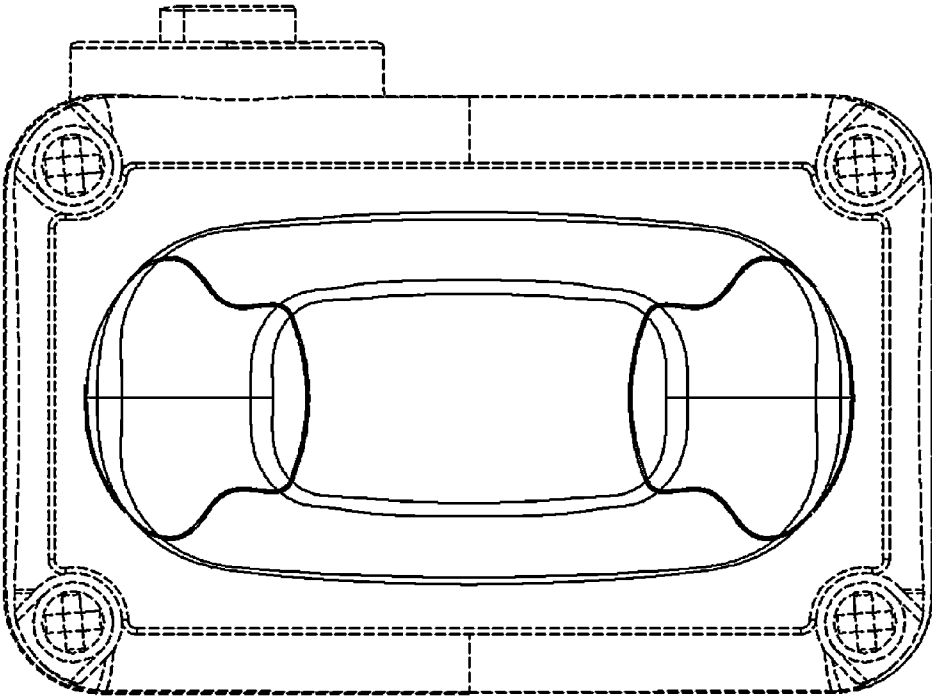


FIG. 4

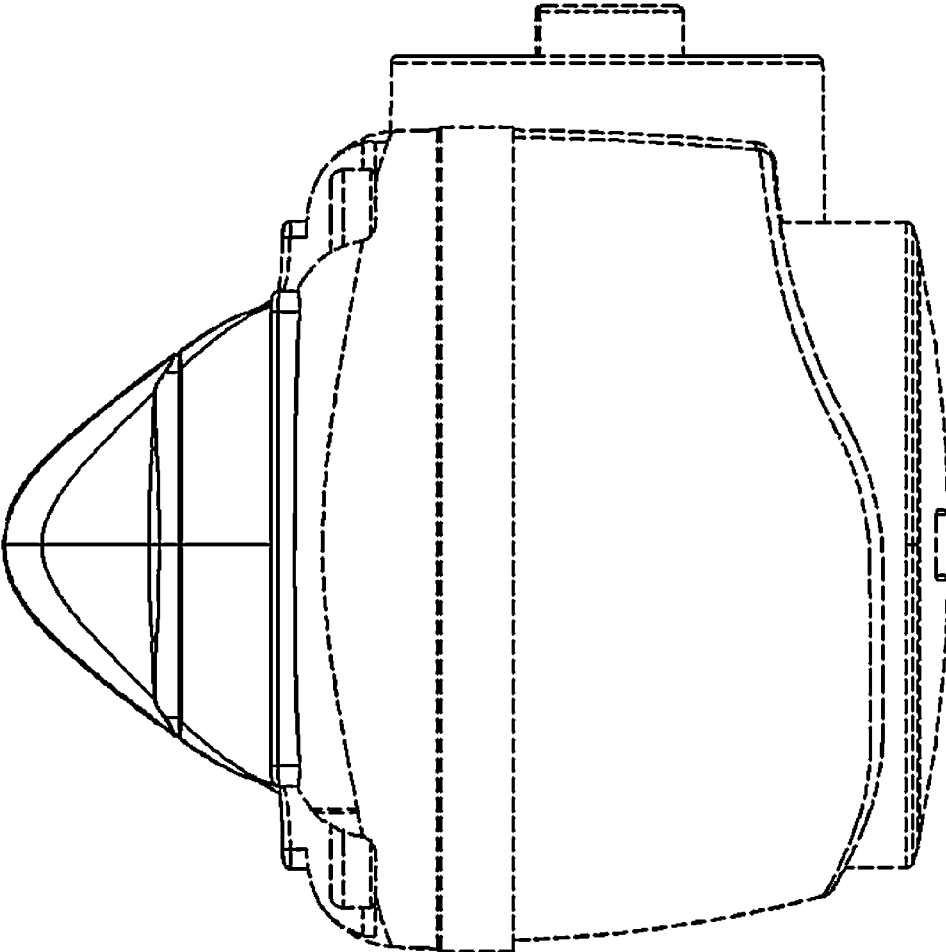


FIG. 5

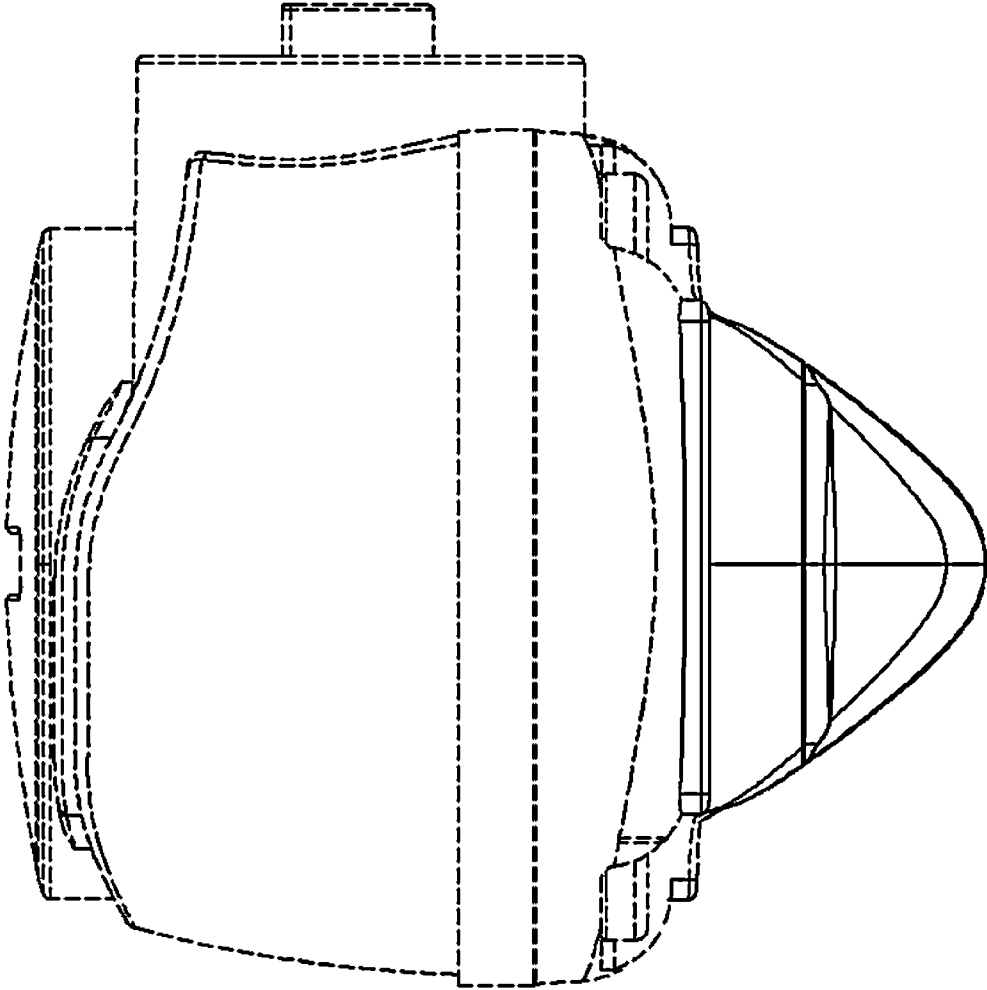


FIG. 6

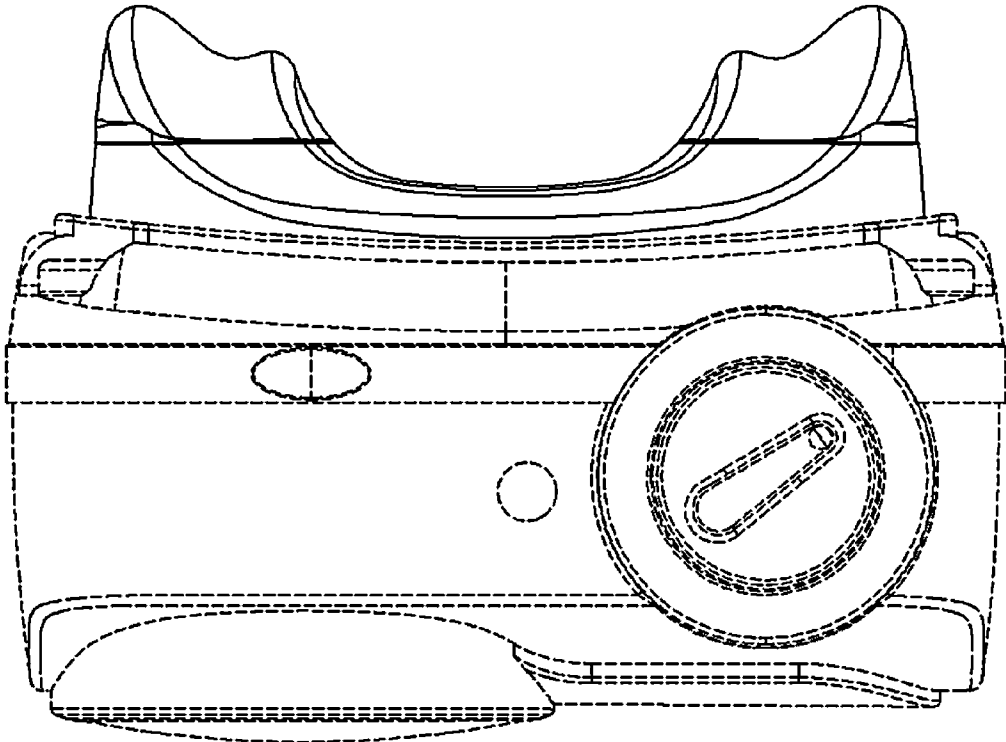


FIG. 7

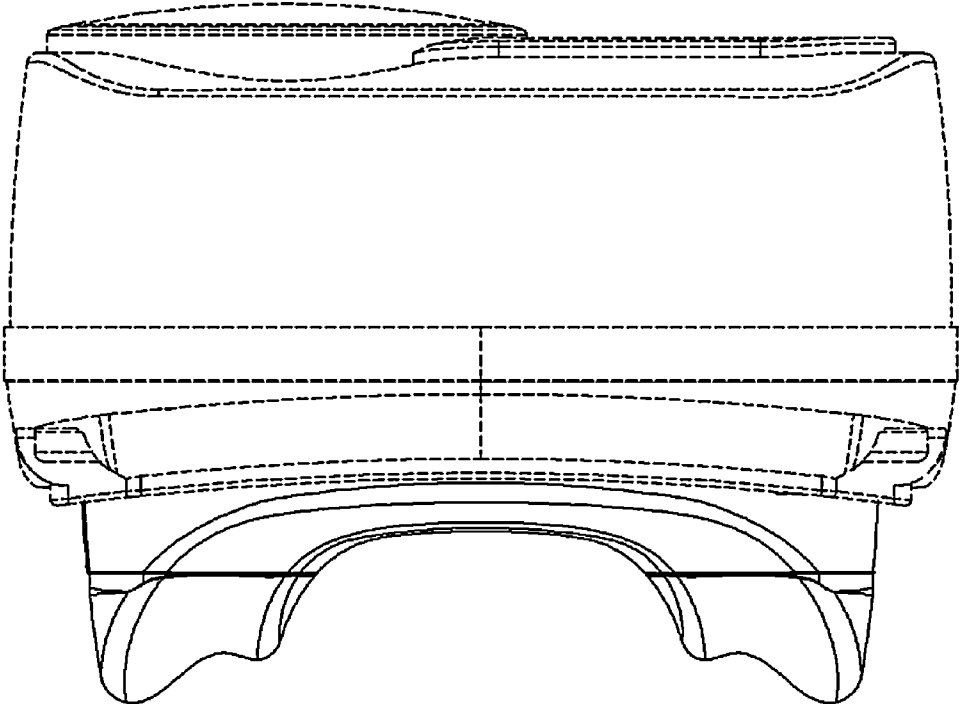


FIG. 8

