

(19) World Intellectual Property Organization  
International Bureau



(43) International Publication Date  
21 December 2006 (21.12.2006)

PCT

(10) International Publication Number  
**WO 2006/135742 A3**

(51) International Patent Classification:  
F15C 1/06 (2006.01)

(21) International Application Number:  
PCT/US2006/022465

(22) International Filing Date: 9 June 2006 (09.06.2006)

(25) Filing Language: English

(26) Publication Language: English

(30) Priority Data:  
11/150,551 9 June 2005 (09.06.2005) US

(71) Applicant (for all designated States except US): **THE AEROSPACE CORPORATION** [US/US]; 2350 East El Segundo Boulevard, El Segundo, California 90245 (US).

(72) Inventor; and

(75) Inventor/Applicant (for US only): **WELLE, Richard, P.** [US/US]; 16351 Grenoble Lane, Huntington Beach, California 92649 (US).

(74) Agents: **PETER, Gluck, J.** et al.; GREENBERG TRAURIG, LLP, 2450 Colorado Avenue, Suite 400E, Santa Monica, California 90404 (US).

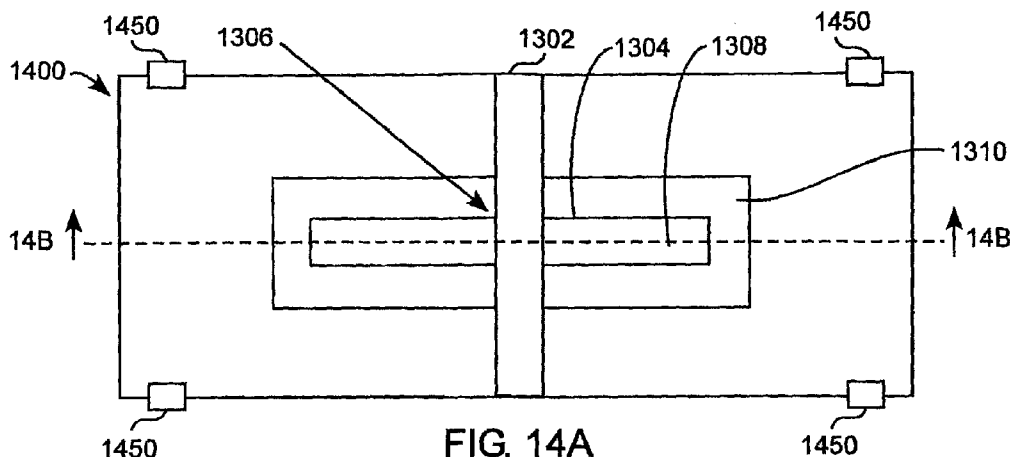
(81) Designated States (unless otherwise indicated, for every kind of national protection available): AE, AG, AL, AM, AT, AU, AZ, BA, BB, BG, BR, BW, BY, BZ, CA, CH, CN, CO, CR, CU, CZ, DE, DK, DM, DZ, EC, EE, EG, ES, FI, GB, GD, GE, GH, GM, HR, HU, ID, IL, IN, IS, JP, KE, KG, KM, KN, KP, KR, KZ, LC, LK, LR, LS, LT, LU, LV, LY, MA, MD, MG, MK, MN, MW, MX, MZ, NA, NG, NI, NO, NZ, OM, PG, PH, PL, PT, RO, RU, SC, SD, SE, SG, SK, SL, SM, SY, TJ, TM, TN, TR, TT, TZ, UA, UG, US, UZ, VC, VN, YU, ZA, ZM, ZW.

(84) Designated States (unless otherwise indicated, for every kind of regional protection available): ARIPO (BW, GH, GM, KE, LS, MW, MZ, NA, SD, SL, SZ, TZ, UG, ZM, ZW), Eurasian (AM, AZ, BY, KG, KZ, MD, RU, TJ, TM), European (AT, BE, BG, CH, CY, CZ, DE, DK, EE, ES, FI, FR, GB, GR, HU, IE, IS, IT, LT, LU, LV, MC, NL, PL, PT, RO, SE, SI, SK, TR), OAPI (BF, BJ, CF, CG, CI, CM, GA, GN, GQ, GW, ML, MR, NE, SN, TD, TG).

Published:  
— with international search report

(88) Date of publication of the international search report:  
30 April 2009

(54) Title: ELECTRO-HYDRAULIC VALVE APPARATUSES



(57) Abstract: An electro-hydraulic valve apparatus includes a flow channel, a hydraulic control channel defining an electro-hydraulic valve junction where the hydraulic control channel is adjacent to the flow channel, a flexible wall between the flow channel and the hydraulic control channel at the electro-hydraulic valve junction, and Peltier devices adjacent to the hydraulic control channel on opposite sides of the electro-hydraulic valve junction for controllably applying a hydraulic force against the flexible wall repositioning the flexible wall in relation to the flow channel to selectively close or open the electro-hydraulic valve apparatus.

WO 2006/135742 A3

# INTERNATIONAL SEARCH REPORT

International application No.

PCT/US06/22465

**A. CLASSIFICATION OF SUBJECT MATTER**

IPC: **F15C 1/06( 2006.01)**

USPC: 137/833,803,807,824,565.16

According to International Patent Classification (IPC) or to both national classification and IPC

**B. FIELDS SEARCHED**

Minimum documentation searched (classification system followed by classification symbols)

U.S. : 137/833,803,807,824,565.16

Documentation searched other than minimum documentation to the extent that such documents are included in the fields searched

Electronic data base consulted during the international search (name of data base and, where practicable, search terms used)

**C. DOCUMENTS CONSIDERED TO BE RELEVANT**

Category *	Citation of document, with indication, where appropriate, of the relevant passages	Relevant to claim No.
X	US 2002/0127736 A1 (CHOU et al) 12 September 2002 (12.09.2002), see entire document.	1-10

Further documents are listed in the continuation of Box C.

See patent family annex.

\* Special categories of cited documents:

"A" document defining the general state of the art which is not considered to be of particular relevance

"T" later document published after the international filing date or priority date and not in conflict with the application but cited to understand the principle or theory underlying the invention

"E" earlier application or patent published on or after the international filing date

"X" document of particular relevance; the claimed invention cannot be considered novel or cannot be considered to involve an inventive step when the document is taken alone

"L" document which may throw doubts on priorityclaim(s) or which is cited to establish the publication date of another citation or other special reason (as specified)

"Y" document of particular relevance; the claimed invention cannot be considered to involve an inventive step when the document is combined with one or more other such documents, such combination being obvious to a person skilled in the art

"O" document referring to an oral disclosure, use, exhibition or other means

"P" document published prior to the international filingdate but later than the priority date claimed

"&" document member of the same patent family

Date of the actual completion of the international search

25 March 2008 (25.03.2008)

Date of mailing of the international search report

**07 APR 2008**

Name and mailing address of the ISA/US

Mail Stop PCT, Attn: ISA/US  
Commissioner for Patents  
P.O. Box 1450  
Alexandria, Virginia 22313-1450

Facsimile No. (571) 273-3201

Authorized officer

Gregory Huson

Telephone No. (571)-273-8300

*Anne Heath*  
*Lee*

# INTERNATIONAL SEARCH REPORT

International application No.

PCT/US06/22465

## Box No. II Observations where certain claims were found unsearchable (Continuation of item 2 of first sheet)

This international search report has not been established in respect of certain claims under Article 17(2)(a) for the following reasons:

1.  Claims Nos.:  
because they relate to subject matter not required to be searched by this Authority, namely:
  
2.  Claims Nos.:  
because they relate to parts of the international application that do not comply with the prescribed requirements to such an extent that no meaningful international search can be carried out, specifically:
  
3.  Claims Nos.:  
because they are dependent claims and are not drafted in accordance with the second and third sentences of Rule 6.4(a).

## Box No. III Observations where unity of invention is lacking (Continuation of item 3 of first sheet)

This International Searching Authority found multiple inventions in this international application, as follows:  
Please See Continuation Sheet

1.  As all required additional search fees were timely paid by the applicant, this international search report covers all searchable claims.
  2.  As all searchable claims could be searched without effort justifying additional fees, this Authority did not invite payment of any additional fees.
  3.  As only some of the required additional search fees were timely paid by the applicant, this international search report covers only those claims for which fees were paid, specifically claims Nos.:
  
  4.  No required additional search fees were timely paid by the applicant. Consequently, this international search report is restricted to the invention first mentioned in the claims; it is covered by claims Nos.: 1-10
- Remark on Protest**
- The additional search fees were accompanied by the applicant's protest and, where applicable, the payment of a protest fee.
  - The additional search fees were accompanied by the applicant's protest but the applicable protest fee was not paid within the time limit specified in the invitation.
  - No protest accompanied the payment of additional search fees.