



US00D694644S

(12) **United States Design Patent**
Limback

(10) **Patent No.:** **US D694,644 S**

(45) **Date of Patent:** **** Dec. 3, 2013**

(54) **CLAMSHELL PACKAGE HAVING BLISTERS**

(75) Inventor: **Nancy Gail Limback**, Bridgewater, NJ (US)

(73) Assignee: **Aventisub II Inc.**, Greenville, DE (US)

(**) Term: **14 Years**

(21) Appl. No.: **29/416,880**

(22) Filed: **Mar. 28, 2012**

(51) **LOC (9) Cl.** **09-01**

(52) **U.S. Cl.**
USPC **D9/652; D9/732**

(58) **Field of Classification Search**
USPC D9/600, 652, 730-733, 414-415, 420, D9/423-426; 206/457, 461-471, 495
See application file for complete search history.

(56) **References Cited**

U.S. PATENT DOCUMENTS

D58,905 S	9/1921	Harrington	
D117,605 S *	11/1939	Blunt	D9/652
2,317,860 A	4/1943	Sørensen	
D190,530 S	6/1961	Bender et al.	
3,054,503 A	9/1962	Hartman, Jr. et al.	
3,122,441 A	2/1964	Smith	
D200,000 S	1/1965	Richards et al.	
3,255,928 A	6/1966	Foster	
3,331,495 A	7/1967	Leckzik et al.	
3,387,699 A	6/1968	Heller	
3,429,426 A	2/1969	Wolf et al.	
3,540,579 A	11/1970	Hellstrom	
D220,750 S	5/1971	Artz	
D220,752 S *	5/1971	Artz	D9/425
3,620,411 A	11/1971	Rump	
D234,294 S *	2/1975	Gorman	D9/732
D253,040 S	10/1979	Fournier et al.	
D253,167 S	10/1979	Fournier et al.	
D253,222 S	10/1979	Fournier et al.	
D253,515 S	11/1979	Meierhoefer	

D253,516 S	11/1979	Meierhoefer
D253,751 S	12/1979	Meierhoefer
4,266,666 A	5/1981	Kuchenbecker
D271,283 S	11/1983	Taylor
4,537,312 A	8/1985	Intini
D280,387 S	9/1985	Morgan
4,574,951 A	3/1986	Weaver
D285,176 S	8/1986	Kodousek et al.
D286,140 S	10/1986	Kodousek et al.
4,660,991 A	4/1987	Simon

(Continued)

FOREIGN PATENT DOCUMENTS

WO 2007/141869 A1 12/2007

OTHER PUBLICATIONS

U.S. Office Action dated Oct. 3, 2012 issued in U.S. Appl. No. 29/416,879.

(Continued)

Primary Examiner — Sandra Morris

(74) *Attorney, Agent, or Firm* — Scully, Scott, Murphy & Presser, P.C.

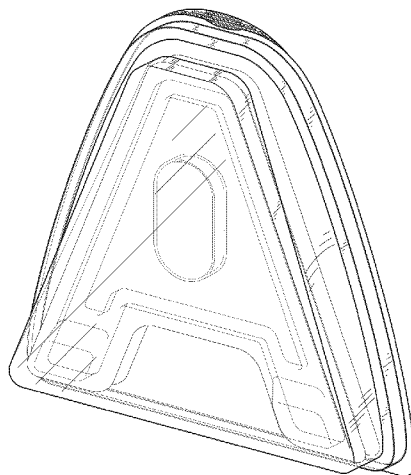
(57) **CLAIM**

The ornamental design for a clamshell package having blisters, as shown.

DESCRIPTION

FIG. 1 is a perspective view of a clamshell package having blisters showing my new design;
FIG. 2 is a front view thereof;
FIG. 3 is a rear view thereof;
FIG. 4 is a side view thereof;
FIG. 5 is an opposite side view thereof;
FIG. 6 is a top view thereof; and,
FIG. 7 is a bottom view thereof.

1 Claim, 5 Drawing Sheets



(56)

References Cited

U.S. PATENT DOCUMENTS

4,805,377 A	2/1989	Carter	5,560,490 A	10/1996	Chawla
4,817,819 A	4/1989	Kelly	D378,272 S	3/1997	Weatherford et al.
4,838,425 A	6/1989	O'Brien et al.	5,624,036 A	4/1997	Roulin et al.
D303,931 S	10/1989	Miller et al.	5,630,347 A	5/1997	Elvio
4,876,843 A	10/1989	O'Brien et al.	D380,960 S	* 7/1997	Blotsky D9/652
D305,000 S	12/1989	Hernandez	D382,474 S	8/1997	Malmborg
4,884,693 A	12/1989	Brütsch	D384,283 S	9/1997	Davies et al.
4,890,763 A	1/1990	Curiel	D385,024 S	10/1997	Roberts
D305,870 S	2/1990	Perkins	D386,681 S	11/1997	Reil
D306,405 S	3/1990	Kuerti	D387,977 S	12/1997	Kallgren
D306,825 S	3/1990	Siegel	5,695,063 A	12/1997	Roulin et al.
4,905,866 A	3/1990	Bartell et al.	D391,156 S	2/1998	Stevens
D307,554 S	5/1990	McAlister, Sr.	D392,562 S	3/1998	Lo
4,945,708 A	8/1990	Curiel	D392,802 S	3/1998	Malmborg
4,947,620 A	8/1990	Carter	D392,883 S	3/1998	Ferrin
4,955,481 A	9/1990	Novinski et al.	5,722,563 A	3/1998	Hunts
D311,332 S	10/1990	Miller et al.	5,740,938 A	4/1998	Hofmann et al.
4,962,856 A	10/1990	Carter	D394,003 S	5/1998	Tate
D313,182 S	* 12/1990	Diepois D9/415	5,752,615 A	5/1998	Hofmann et al.
4,975,015 A	12/1990	Harding	5,756,577 A	5/1998	Gutiérrez-Villarreal
4,988,004 A	1/1991	Intini	5,758,774 A	6/1998	Leblong
4,998,623 A	3/1991	Doull	5,775,505 A	7/1998	Vasquez et al.
5,014,851 A	5/1991	Wick	5,785,180 A	7/1998	Dressel et al.
5,033,251 A	7/1991	Rodriguez	5,786,598 A	7/1998	Clark et al.
5,033,252 A	7/1991	Carter	5,791,478 A	8/1998	Kalvelage et al.
5,040,353 A	8/1991	Evans et al.	5,794,781 A	8/1998	Roulin et al.
D319,577 S	* 9/1991	Schwarz D9/652	D398,521 S	9/1998	Coe
5,046,618 A	9/1991	Wood	5,802,804 A	9/1998	Esposti et al.
5,050,739 A	9/1991	Hannan et al.	5,819,940 A	10/1998	Roulin et al.
5,052,558 A	10/1991	Carter	5,833,071 A	11/1998	Ray
5,067,611 A	11/1991	Hagmann et al.	5,833,072 A	11/1998	Lambelet, Jr.
D325,526 S	4/1992	Deguchi et al.	D403,955 S	1/1999	Siegel et al.
5,109,984 A	5/1992	Romick	D404,644 S	1/1999	Meeker
D327,425 S	6/1992	Hamada et al.	5,858,401 A	1/1999	Bhalani et al.
D327,426 S	6/1992	Karita et al.	D405,361 S	2/1999	Cameron et al.
5,129,527 A	7/1992	Lataix	5,873,860 A	2/1999	Kahlert
5,150,793 A	9/1992	Tannenbaum	5,878,887 A	3/1999	Parker et al.
D331,011 S	11/1992	Karita et al.	5,879,612 A	3/1999	Zeiter et al.
D331,012 S	11/1992	Karita et al.	D408,278 S	4/1999	Konop
5,172,812 A	12/1992	Wharton et al.	5,904,249 A	5/1999	Roulin et al.
5,203,455 A	4/1993	Hewelt et al.	D411,445 S	6/1999	Anderson
D336,040 S	6/1993	Philippe	5,911,319 A	6/1999	Porcelli et al.
5,244,091 A	9/1993	Tannenbaum	5,911,325 A	6/1999	Breitler
5,251,757 A	10/1993	Relyea et al.	5,927,500 A	7/1999	Godfrey et al.
5,310,060 A	5/1994	Bitner et al.	5,944,191 A	8/1999	Ray et al.
5,323,587 A	6/1994	Amaranti	D414,106 S	9/1999	Anderson
5,323,907 A	6/1994	Kalvelage	5,954,204 A	9/1999	Grabowski
5,344,018 A	9/1994	Severin	D415,416 S	10/1999	Anderson et al.
D351,343 S	10/1994	Kellar et al.	D416,484 S	* 11/1999	Voden D9/415
5,358,118 A	10/1994	Thompson et al.	D417,148 S	11/1999	Anderson et al.
D352,236 S	11/1994	Althaus	5,975,304 A	11/1999	Cain et al.
D352,237 S	11/1994	Reardon et al.	D419,439 S	1/2000	Markovsky et al.
5,360,116 A	11/1994	Schmiletzky	6,010,784 A	1/2000	Peterson
5,363,968 A	11/1994	Soloman	6,024,222 A	2/2000	Friberg et al.
D353,092 S	12/1994	Green	D421,385 S	3/2000	Meeker et al.
D354,911 S	1/1995	Weatherford et al.	D421,899 S	3/2000	Eneroth et al.
5,377,839 A	1/1995	Relyea et al.	D421,900 S	3/2000	Eneroth et al.
5,412,372 A	5/1995	Parkhurst et al.	6,036,016 A	3/2000	Arnold
5,415,321 A	5/1995	Gehlert et al.	6,053,321 A	4/2000	Kayser
D359,678 S	6/1995	Weatherford et al.	6,055,794 A	5/2000	Breitler
D359,679 S	6/1995	Weatherford et al.	D427,061 S	6/2000	Niksich
5,437,371 A	8/1995	Lataix	6,082,544 A	7/2000	Romick
5,442,892 A	8/1995	Burns, III et al.	D430,015 S	8/2000	Himbert et al.
5,450,710 A	9/1995	Jensen et al.	6,109,000 A	8/2000	Conti
5,457,895 A	10/1995	Thompson et al.	D431,459 S	10/2000	Lee
5,460,471 A	10/1995	Connor et al.	D431,863 S	10/2000	Richardson
5,469,968 A	11/1995	Matthews et al.	6,135,755 A	10/2000	Zeiter et al.
D366,829 S	2/1996	Chervenak et al.	6,138,830 A	10/2000	Muggli
5,489,025 A	2/1996	Romick	6,155,414 A	12/2000	Vaessen
5,509,773 A	4/1996	Connor et al.	6,155,423 A	12/2000	Katzner et al.
5,522,506 A	6/1996	Roulin et al.	6,161,699 A	12/2000	Gartland
5,529,188 A	6/1996	Coggsweil	D438,104 S	2/2001	Hacker et al.
5,549,204 A	8/1996	Toren	D438,461 S	3/2001	Yamagishi
D373,530 S	9/1996	Levy et al.	D438,463 S	3/2001	Schill et al.
5,555,707 A	9/1996	Schwenger	D440,871 S	4/2001	Lo
			6,212,791 B1	4/2001	Thompson et al.
			6,212,858 B1	4/2001	Breitler
			D441,284 S	5/2001	Saur et al.
			D444,056 S	6/2001	Lo

(56)

References Cited

U.S. PATENT DOCUMENTS

6,244,442 B1	6/2001	Inoue et al.	6,941,947 B2	9/2005	Young et al.
D444,379 S	7/2001	Assargren et al.	6,951,353 B2	10/2005	Kozlowski et al.
6,269,671 B1	8/2001	Zeiter et al.	D511,452 S	11/2005	Dibnah et al.
6,270,869 B1	8/2001	Zeiter et al.	D511,977 S	11/2005	Saelzer
D449,779 S	10/2001	Otto	6,959,841 B2	11/2005	Vlodek
D449,780 S	10/2001	Corella	6,964,338 B2	11/2005	Kancsar et al.
D450,239 S	11/2001	Otto	6,974,031 B2	12/2005	Kancsar et al.
D451,014 S	11/2001	Otto	6,974,032 B2	12/2005	Intini
D451,015 S	11/2001	Otto	6,978,894 B2	12/2005	Mundt
D451,016 S	11/2001	Dittmar	D513,589 S	1/2006	Grant
6,311,743 B1	11/2001	Baroncini	D513,863 S	1/2006	Wahl et al.
6,329,047 B1	12/2001	Beer et al.	D513,976 S	1/2006	Milan
6,345,717 B1	2/2002	Flewitt	6,988,618 B2	1/2006	DeJonge
6,349,831 B1	2/2002	Buss	D514,308 S	2/2006	Wahl et al.
D454,781 S	3/2002	Assargren et al.	D514,309 S	2/2006	Wahl et al.
6,357,495 B1	3/2002	Baroncini	D514,436 S	2/2006	McGuinness
D455,344 S	4/2002	Assargren et al.	D515,924 S	2/2006	Grant
D455,345 S	4/2002	Assargren et al.	D515,925 S	2/2006	Wahl et al.
D455,953 S	4/2002	Assargren et al.	D515,926 S	2/2006	Wahl et al.
D455,954 S	4/2002	Dittmar	6,997,320 B1	2/2006	Kancsar et al.
6,401,926 B1	6/2002	Lo	7,000,768 B2	2/2006	Morita et al.
6,409,020 B1	6/2002	Lo	D517,410 S	3/2006	Grant
6,411,567 B1	6/2002	Niemiec et al.	D518,721 S	4/2006	Wahl et al.
6,430,984 B2	8/2002	Zeiter et al.	7,025,207 B2	4/2006	Breu et al.
6,439,426 B1	8/2002	Baroncini	D520,357 S	5/2006	Terrasi
6,497,083 B1	12/2002	Garwood et al.	7,038,219 B2	5/2006	Clark et al.
D469,348 S	1/2003	Demus et al.	7,055,296 B2	6/2006	Christ
6,502,374 B1	1/2003	Chulia	7,063,211 B2	6/2006	Williams-Hartman
6,516,949 B2	2/2003	Fuller et al.	7,067,084 B1	6/2006	Leroy et al.
6,564,934 B1	5/2003	Dischler	7,069,929 B2	7/2006	Young et al.
D476,227 S	6/2003	Pratt	7,070,802 B1	7/2006	Bhalani et al.
6,574,166 B2	6/2003	Niemiec	7,080,644 B2	7/2006	Gumaste
D477,158 S	7/2003	Calcerano et al.	7,090,079 B2	8/2006	Ehrlund
6,588,180 B2	7/2003	Heath et al.	7,093,716 B2	8/2006	Intini
6,589,616 B2	7/2003	Muggli et al.	7,104,035 B2	9/2006	Hähnel
6,589,642 B1	7/2003	Miller et al.	7,121,065 B2	10/2006	Christ
6,592,978 B1	7/2003	Miller et al.	7,121,822 B2	10/2006	Heath
6,598,370 B2	7/2003	Baroncini	7,128,100 B2	10/2006	Monti
D478,810 S	8/2003	Wilson	D533,971 S	12/2006	Carter et al.
6,601,876 B1	8/2003	Instance	D534,423 S	1/2007	Tanner
D480,635 S	10/2003	Caroen	7,188,728 B2	3/2007	Williams-Hartman
6,648,575 B2	11/2003	Baroncini	7,192,640 B2	3/2007	Holbert et al.
6,669,236 B1	12/2003	Höllwarth-Oberholz	7,207,440 B2 *	4/2007	Briscoe 206/461
6,673,406 B2	1/2004	Bekele	7,207,441 B2	4/2007	Ritter
6,675,972 B2	1/2004	Patterson	D543,103 S	5/2007	Roche et al.
6,679,382 B1	1/2004	Kancsar et al.	D544,794 S	6/2007	White
6,699,566 B2	3/2004	Zeiter et al.	D545,690 S *	7/2007	Tsutsumi et al. D9/732
6,705,467 B1	3/2004	Kancsar et al.	D546,182 S	7/2007	Hanji
6,706,345 B1	3/2004	Yoon	D546,198 S	7/2007	Currie et al.
6,708,825 B2	3/2004	Filion et al.	7,243,798 B2	7/2007	Buss
D489,002 S	4/2004	Meyer et al.	D548,110 S	8/2007	Pugh
6,726,054 B2	4/2004	Fagen et al.	D548,615 S	8/2007	Ristic et al.
D491,459 S	6/2004	Grant	D554,530 S *	11/2007	Tsutsumi et al. D9/732
6,757,637 B2	6/2004	Mertens et al.	D556,602 S	12/2007	Clements et al.
6,758,367 B2	7/2004	Hunts	D556,603 S	12/2007	Barnes et al.
D495,134 S	8/2004	Geert-Jensen et al.	D558,336 S	12/2007	Walters et al.
6,793,077 B1	9/2004	Kancsar et al.	D559,706 S	1/2008	Clements et al.
6,802,422 B2	10/2004	Kalvelage et al.	7,318,304 B2	1/2008	Hiddink et al.
6,805,259 B2	10/2004	Stevens et al.	D562,153 S	2/2008	Ruble et al.
6,805,528 B2	10/2004	Monti	7,325,689 B2	2/2008	Buss
6,827,808 B2	12/2004	Fenn	7,325,703 B2	2/2008	Gherdan et al.
6,839,304 B2	1/2005	Niemiec et al.	7,331,460 B2	2/2008	Barndt et al.
D501,790 S	2/2005	Feibelman	7,337,593 B2	3/2008	Blum et al.
6,848,580 B2	2/2005	Paliotta et al.	7,337,906 B2	3/2008	Chang
6,851,874 B2	2/2005	Gonzalez et al.	7,377,394 B2	5/2008	Buss
D504,811 S	5/2005	Haingaertuer	D570,171 S	6/2008	Benktzon et al.
D505,320 S	5/2005	Gattefosse et al.	7,383,674 B2	6/2008	Van Eenoo
D505,322 S	5/2005	Guthrie et al.	7,387,206 B2	6/2008	Grosskopf
6,889,690 B2	5/2005	Crowder et al.	7,401,702 B2	7/2008	Hession
6,890,472 B2	5/2005	Heath	D574,704 S	8/2008	Senter
6,896,139 B2	5/2005	Kancsar et al.	7,416,631 B2	8/2008	Pasternicki
D506,680 S	6/2005	Saelzer	7,419,056 B2	9/2008	Gattefosse et al.
6,902,645 B2	6/2005	Miller	7,429,127 B2	9/2008	Walker et al.
D507,453 S	7/2005	Mills	D578,386 S	10/2008	Silvenis et al.
6,925,783 B1	8/2005	Pearson	7,448,182 B2	11/2008	Pearson
			7,448,184 B2	11/2008	Clark et al.
			7,451,761 B2	11/2008	Hicket et al.
			D581,780 S	12/2008	Senter
			D582,240 S	12/2008	Benktzon et al.

(56)

References Cited

U.S. PATENT DOCUMENTS

7,464,818	B2	12/2008	Gherdan et al.
D585,545	S	1/2009	Carrio et al.
7,472,526	B2	1/2009	Pearson
D585,638	S	2/2009	Skedelius
D585,735	S	2/2009	Vovan et al.
D588,471	S	3/2009	Flugel et al.
D588,908	S	3/2009	Silvenis et al.
D590,245	S	4/2009	Nanda
7,516,836	B2	4/2009	Trygar et al.
7,523,594	B2	4/2009	Greenwald et al.
D592,947	S	5/2009	Neves et al.
D594,753	S	6/2009	Eadicicco et al.
7,540,383	B2	6/2009	Huffer et al.
7,552,824	B2	6/2009	Le et al.
D597,418	S	8/2009	Stojek
D597,830	S	8/2009	Andersen et al.
D598,737	S	8/2009	Neves et al.
D598,785	S	8/2009	Stojek
D601,012	S	9/2009	Ginsberg et al.
7,591,372	B2	9/2009	Gelardi et al.
D601,884	S	10/2009	Andre et al.
7,607,539	B2	10/2009	Freeze
7,617,935	B2	11/2009	Reilley et al.
7,623,040	B1	11/2009	Cote
D606,856	S	12/2009	Ginsberg et al.
7,637,079	B2	12/2009	Klingel et al.
7,637,375	B2	12/2009	Sattel et al.
7,661,531	B2	2/2010	Intini
7,665,610	B2	2/2010	Williams-Hartman
7,674,532	B2	3/2010	Einhorn et al.
7,685,798	B2	3/2010	Marzocchi
D614,045	S	4/2010	Gaudenzi et al.
7,690,511	B2	4/2010	Arnold et al.
7,699,173	B2	4/2010	Hession
7,704,583	B2	4/2010	Heath
7,721,880	B2	5/2010	Pearce et al.
7,726,485	B2	6/2010	Brollier
7,726,486	B2	6/2010	Jones
7,735,650	B2	6/2010	Zumbiel
D620,359	S	7/2010	Ginsberg et al.
D620,375	S	7/2010	Sadler et al.
7,748,535	B2	7/2010	Grosskopf
7,756,248	B2	7/2010	Beckers et al.
7,758,936	B2	7/2010	Spallek et al.
D620,812	S	8/2010	Gaudenzi et al.
7,784,250	B2	8/2010	Grosskopf
D624,399	S	9/2010	Hansen et al.
D624,402	S	9/2010	Hansen et al.
D624,403	S	9/2010	Hansen et al.
7,793,784	B2	9/2010	Nivala
7,798,328	B2	9/2010	Hession
7,798,329	B2	9/2010	Gelardi
7,799,340	B2	9/2010	Bhalani et al.
D624,815	S	10/2010	Hansen et al.
7,810,495	B2	10/2010	Gumaste
D627,220	S	11/2010	LeMaster et al.
D627,239	S	11/2010	Bontorno et al.
7,828,147	B2	11/2010	Caracciolo et al.
7,828,149	B2	11/2010	Kalvelage et al.
7,828,150	B2	11/2010	Taylor et al.
7,854,325	B2	12/2010	Bentele
7,866,475	B2	1/2011	Doskoczynski et al.
D632,955	S	2/2011	Smith et al.
7,891,492	B2	2/2011	Wenninger et al.
D634,616	S	3/2011	Hansen et al.
D635,468	S	4/2011	Buitrago
D635,469	S	4/2011	Buitrago
7,919,171	B2	4/2011	Young
7,926,660	B2	4/2011	Jones et al.
7,931,148	B2	4/2011	Hansen et al.
D637,391	S	5/2011	Stevens et al.
7,934,355	B2	5/2011	Strub et al.
7,937,829	B2	5/2011	Petersen et al.
7,939,150	B2	5/2011	Altman et al.
7,950,390	B2	5/2011	Gumaste
7,959,004	B2	6/2011	Tsao
7,959,005	B2	6/2011	Berg et al.
7,963,089	B2	6/2011	Nelson et al.
D641,616	S	7/2011	Prevost
7,977,378	B1	7/2011	Villalobos
7,988,995	B1	8/2011	Bhalani et al.
8,091,704	B2	1/2012	Trigg

OTHER PUBLICATIONS

U.S. Notice of Allowance dated Mar. 25, 2013 issued in U.S. Appl. No. 29/416,878.

U.S. Office Action dated Mar. 25, 2013 issued in U.S. Appl. No. 29/416,882.

U.S. Office Action dated Apr. 1, 2013 issued in U.S. Appl. No. 29/429,017.

U.S. Office Action dated Jul. 15, 2013 issued in U.S. Appl. No. 13/432,247.

U.S. Office Action dated Jul. 18, 2013 issued in U.S. Appl. No. 29/429,016.

Invitation to Pay Additional Fees and, Where Applicable, Protest Fee mailed Jul. 10, 2013.

* cited by examiner

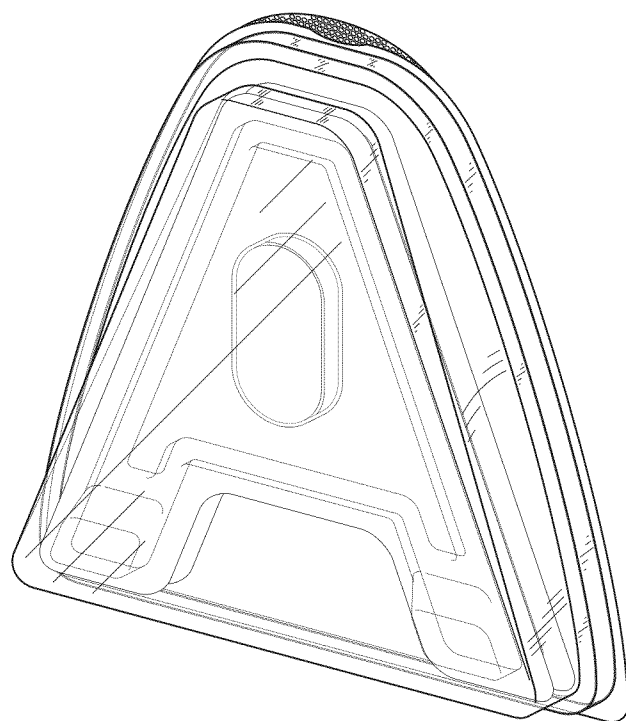


FIG. 1

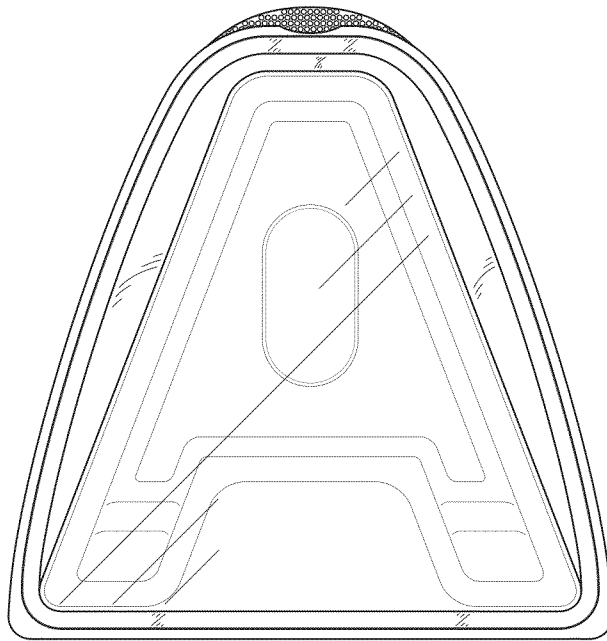


FIG. 2



FIG. 3

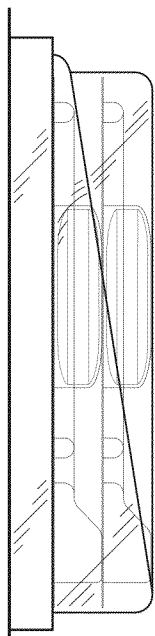


FIG. 4

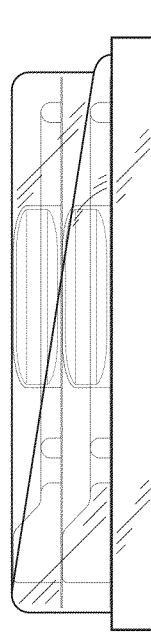


FIG. 5

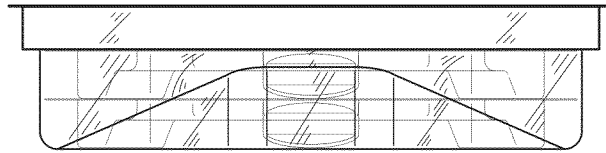


FIG. 6

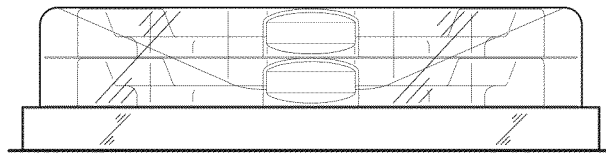


FIG. 7