



(12) **United States Design Patent** (10) **Patent No.:** **US D930,299 S**  
**Lee et al.** (45) **Date of Patent:** **\*\* Sep. 7, 2021**

(54) **ROBOT VACUUM CLEANER**

FOREIGN PATENT DOCUMENTS

(71) Applicant: **SAMSUNG ELECTRONICS CO., LTD.**, Suwon-si (KR)

CN 303288429 S 7/2015  
 CN 304705643 S 6/2018

(Continued)

(72) Inventors: **Hwan-Dong Lee**, Suwon-si (KR);  
**Sang-Hoon Yoon**, Suwon-si (KR);  
**Jin-Sun Park**, Suwon-si (KR); **Jae-Ho Jang**, Suwon-si (KR); **Hyun-Woo Yoon**, Suwon-si (KR)

*Primary Examiner* — Patricia A Palasik  
 (74) *Attorney, Agent, or Firm* — Cantor Colburn LLP

(73) Assignee: **SAMSUNG ELECTRONICS CO., LTD.**, Gyeonggi-Do (KR)

(57) **CLAIM**

The ornamental design for a robot vacuum cleaner, as shown and described.

(\*\*) Term: **15 Years**

(21) Appl. No.: **29/735,879**

**DESCRIPTION**

(22) Filed: **May 26, 2020**

(30) **Foreign Application Priority Data**

Nov. 28, 2019 (KR) ..... 30-2019-0057199

(51) **LOC (13) Cl.** ..... **15-05**

(52) **U.S. Cl.**  
 USPC ..... **D32/21**; D15/199

(58) **Field of Classification Search**  
 USPC ..... D15/199; D32/21, 23–24, 31; D34/34  
 CPC ..... A47L 2201/00; A47L 2201/02; A47L 2201/04; A47L 2201/06; A47L 2201/0461; A47L 2201/2805; B25J 9/1694; E04H 4/1654  
 See application file for complete search history.

FIG. 1 is a front perspective view of a robot vacuum cleaner showing our new design;  
 FIG. 2 is a front view thereof;  
 FIG. 3 is a rear view thereof;  
 FIG. 4 is a left-side view thereof;  
 FIG. 5 is a right-side view thereof;  
 FIG. 6 is a top plan view thereof;  
 FIG. 7 is a bottom plan view thereof;  
 FIG. 8 is an enlarged view of the encircled portion 8 in FIG. 1;  
 FIG. 9 is an enlarged view of the encircled portion 9 in FIG. 1;  
 FIG. 10 is an enlarged view of the encircled portion 10 in FIG. 1;  
 FIG. 11 is an enlarged view of the encircled portion 11 in FIG. 4; and,  
 FIG. 12 is an enlarged view of the encircled portion 12 in FIG. 7.

(56) **References Cited**

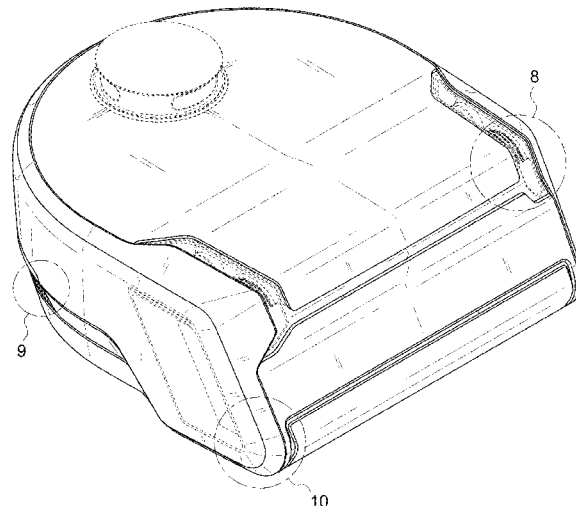
U.S. PATENT DOCUMENTS

D188,039 S \* 5/1960 Descaries ..... D32/31  
 D242,210 S \* 11/1976 Parise ..... D32/21  
 D548,411 S \* 8/2007 Schroter ..... D32/21  
 D548,902 S \* 8/2007 Chun ..... D32/21  
 D556,398 S \* 11/2007 Shin ..... D32/21  
 D593,265 S \* 5/2009 Carr ..... D32/21

(Continued)

The even dashed broken lines illustrating portions of the robot vacuum cleaner form no part of the claimed design. The dot-dash broken lines encircling portions of the robot vacuum cleaner in FIGS. 1, 4 and 7 and illustrated in enlarged views in FIGS. 8-12 form no part of the claimed design.

**1 Claim, 12 Drawing Sheets**



(56)

References Cited

U.S. PATENT DOCUMENTS

D596,815 S \* 7/2009 Baek ..... D32/21  
 D601,315 S \* 9/2009 Lee ..... D32/21  
 D646,855 S \* 10/2011 Kim ..... D32/21  
 D653,823 S \* 2/2012 Kim ..... D32/21  
 8,239,992 B2 \* 8/2012 Schnittman ..... A47L 11/4011  
 D676,204 S \* 2/2013 Kim ..... D32/21  
 D713,609 S \* 9/2014 Shin ..... D32/21  
 D720,103 S \* 12/2014 Haug ..... D32/21  
 D737,006 S \* 8/2015 Heck ..... D32/21  
 D751,777 S \* 3/2016 Cheon ..... D32/21  
 D808,096 S \* 1/2018 Yun ..... D32/21  
 9,968,233 B2 \* 5/2018 Strang ..... A47L 11/4069  
 D822,923 S \* 7/2018 Casini ..... D32/21  
 D859,764 S \* 9/2019 Sexton ..... D32/21  
 D860,557 S \* 9/2019 Gnielka ..... D32/21  
 D860,558 S \* 9/2019 Lee ..... D32/21

D862,010 S \* 10/2019 Smith ..... D32/21  
 D867,701 S \* 11/2019 Mi ..... D32/31  
 D879,852 S \* 3/2020 Chen ..... D15/199  
 D899,475 S \* 10/2020 Xiao ..... D15/199  
 2017/0273526 A1 \* 9/2017 Love ..... A47L 9/1608  
 2018/0103812 A1 \* 4/2018 Lee ..... A47L 9/0653  
 2018/0284786 A1 \* 10/2018 Moshkina-Martinson .....  
 A47L 9/2894  
 2018/0353039 A1 \* 12/2018 Erkek ..... A47L 9/2884  
 2018/0353043 A1 \* 12/2018 Erkek ..... A47L 7/0085  
 2018/0360281 A1 \* 12/2018 Shin ..... A47L 9/0494  
 2019/0270472 A1 \* 9/2019 Akamatsu ..... B62B 5/0093

FOREIGN PATENT DOCUMENTS

EM 000400270-0005 11/2005  
 EM 060400270-0005 11/2005  
 EM 001364939-0003 9/2015  
 EM 004085066-0008 7/2017

\* cited by examiner

FIG. 1

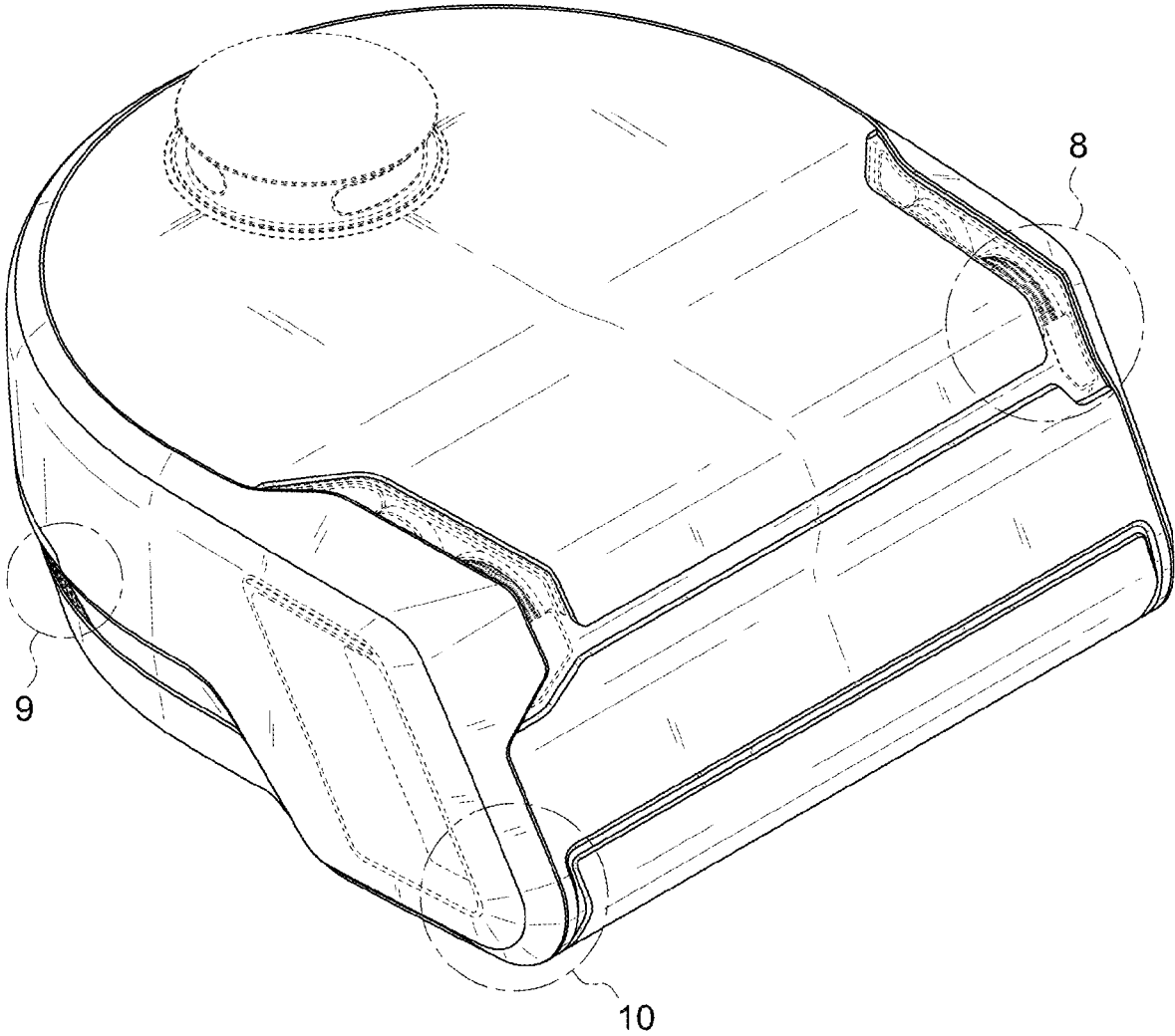


FIG. 2

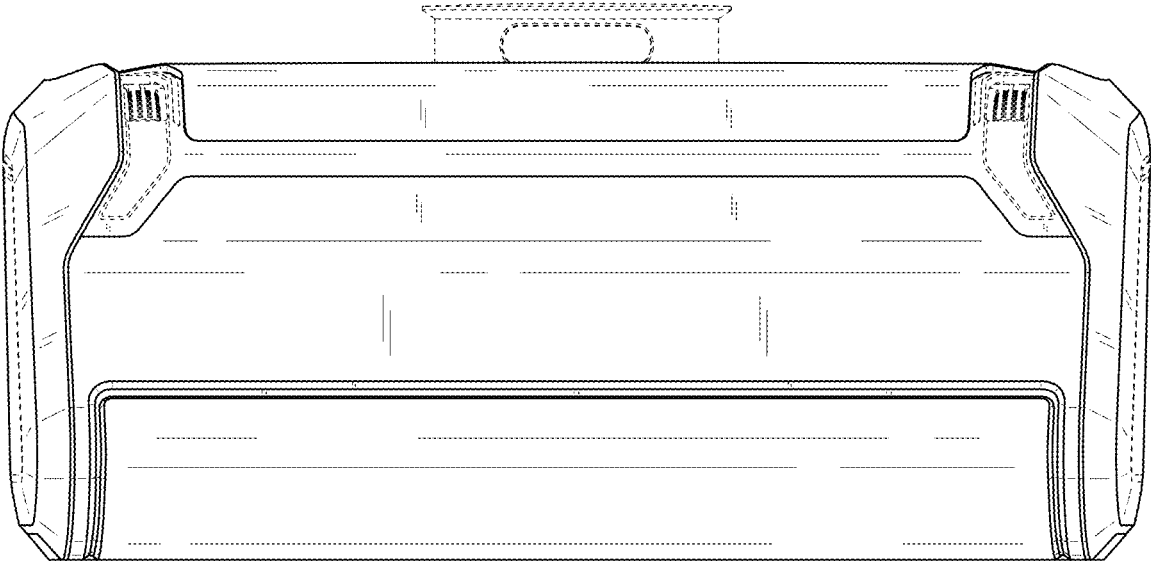


FIG. 3

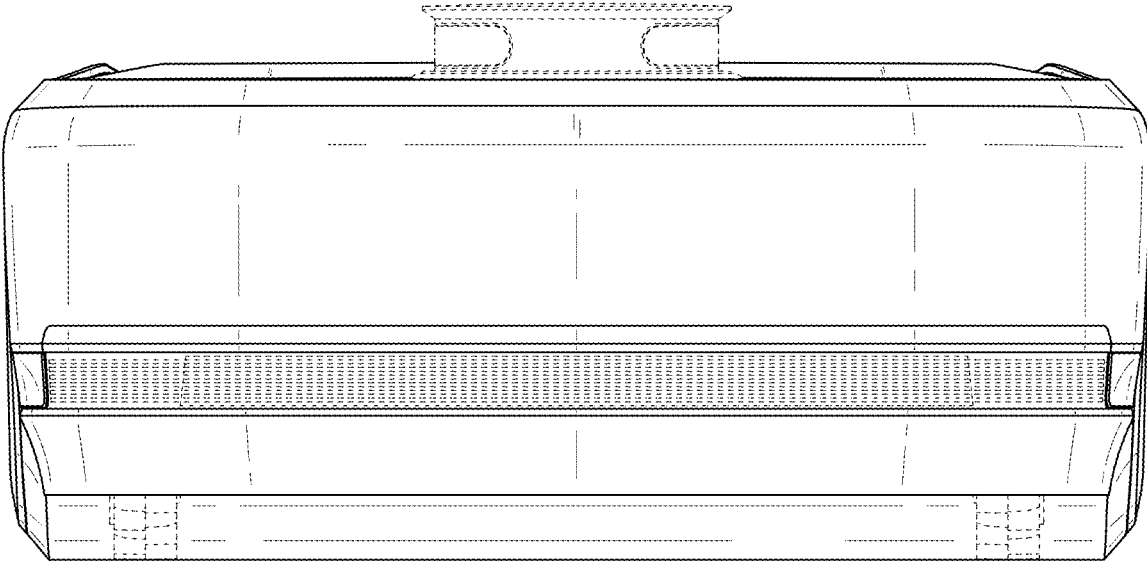


FIG. 4

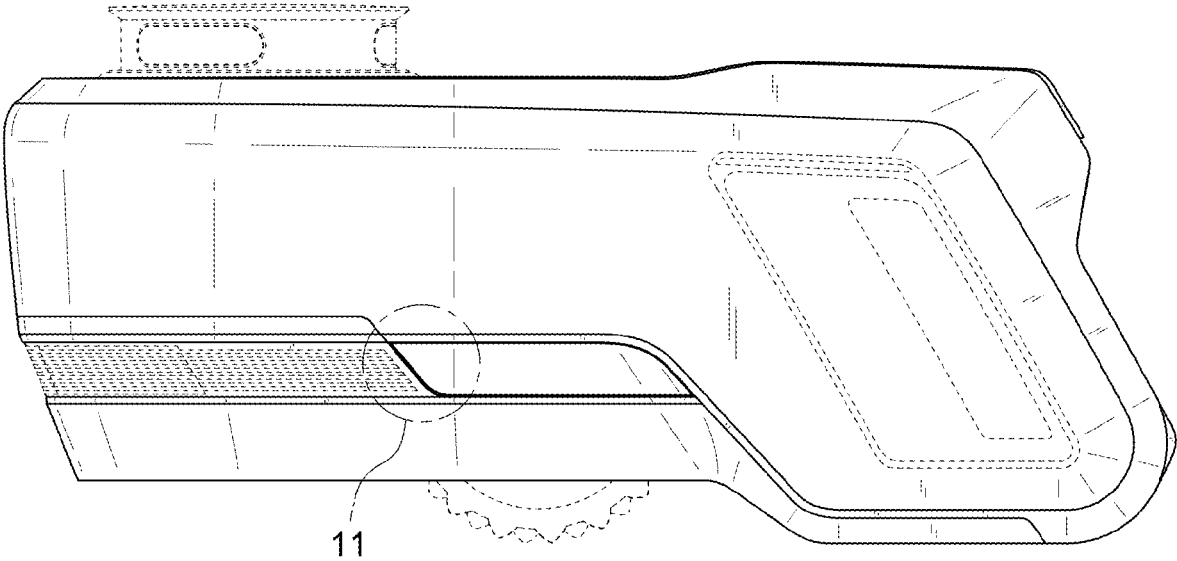


FIG. 5

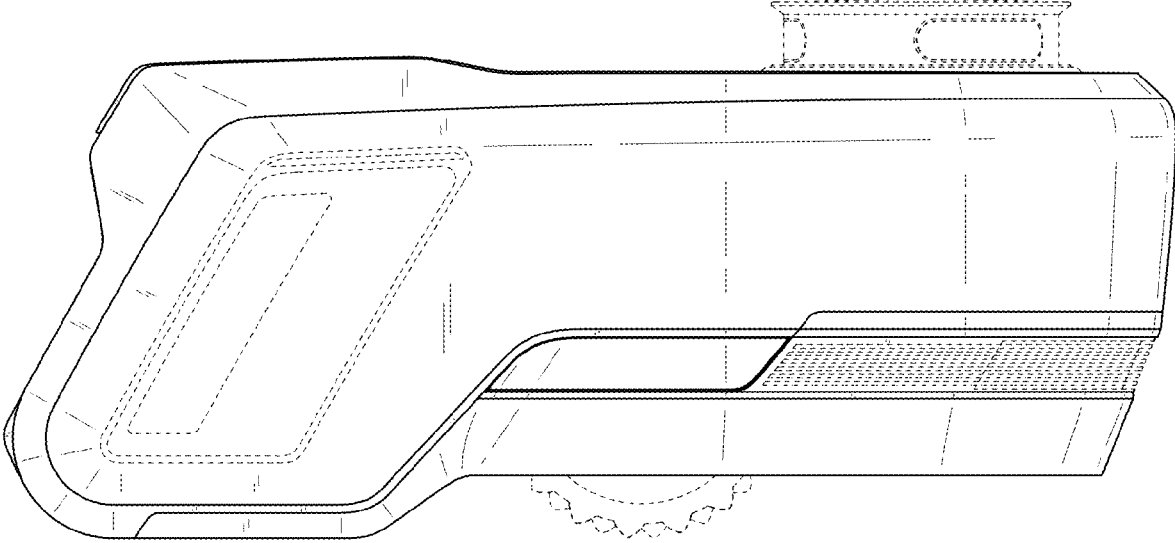


FIG. 6

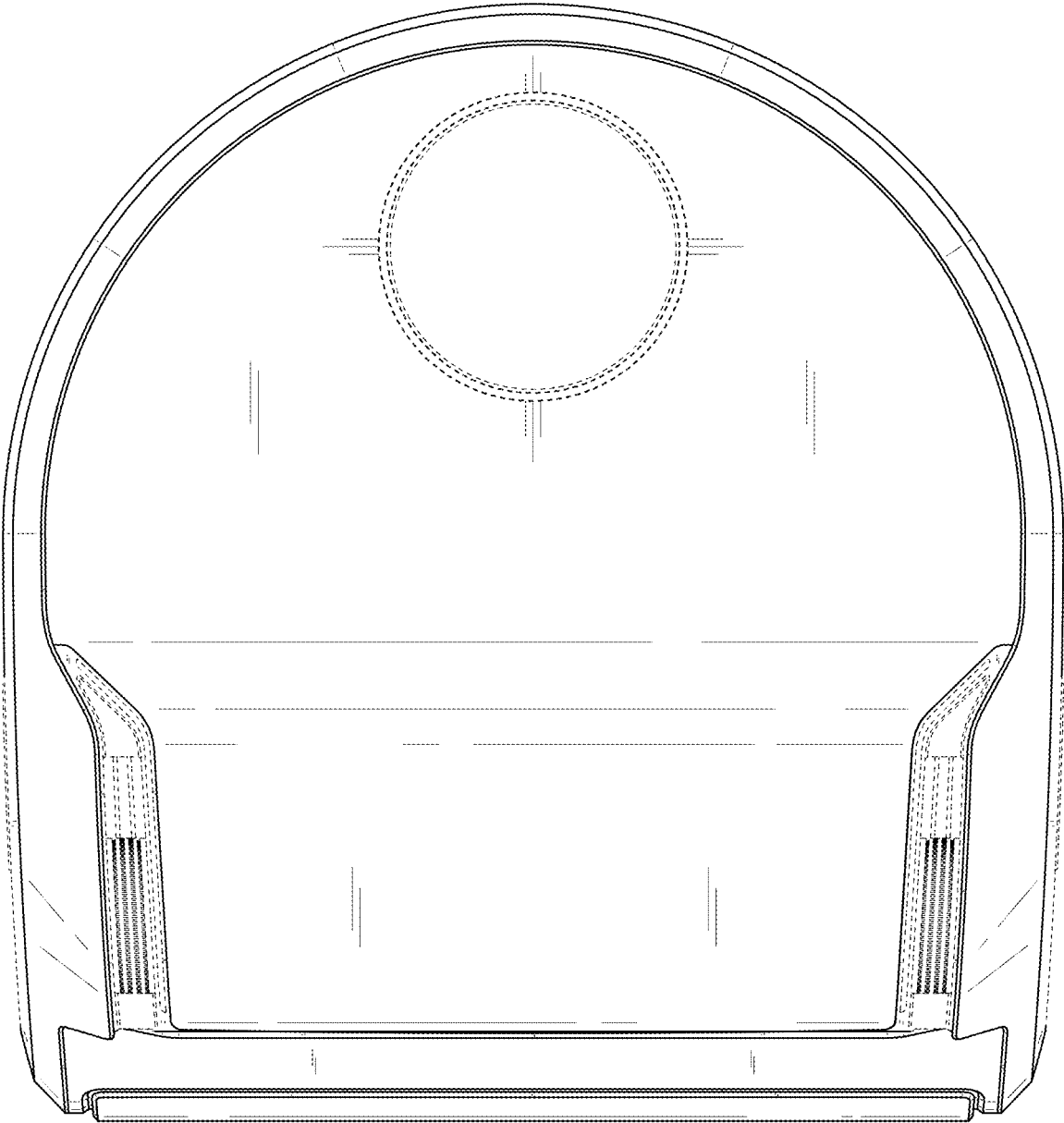


FIG. 7

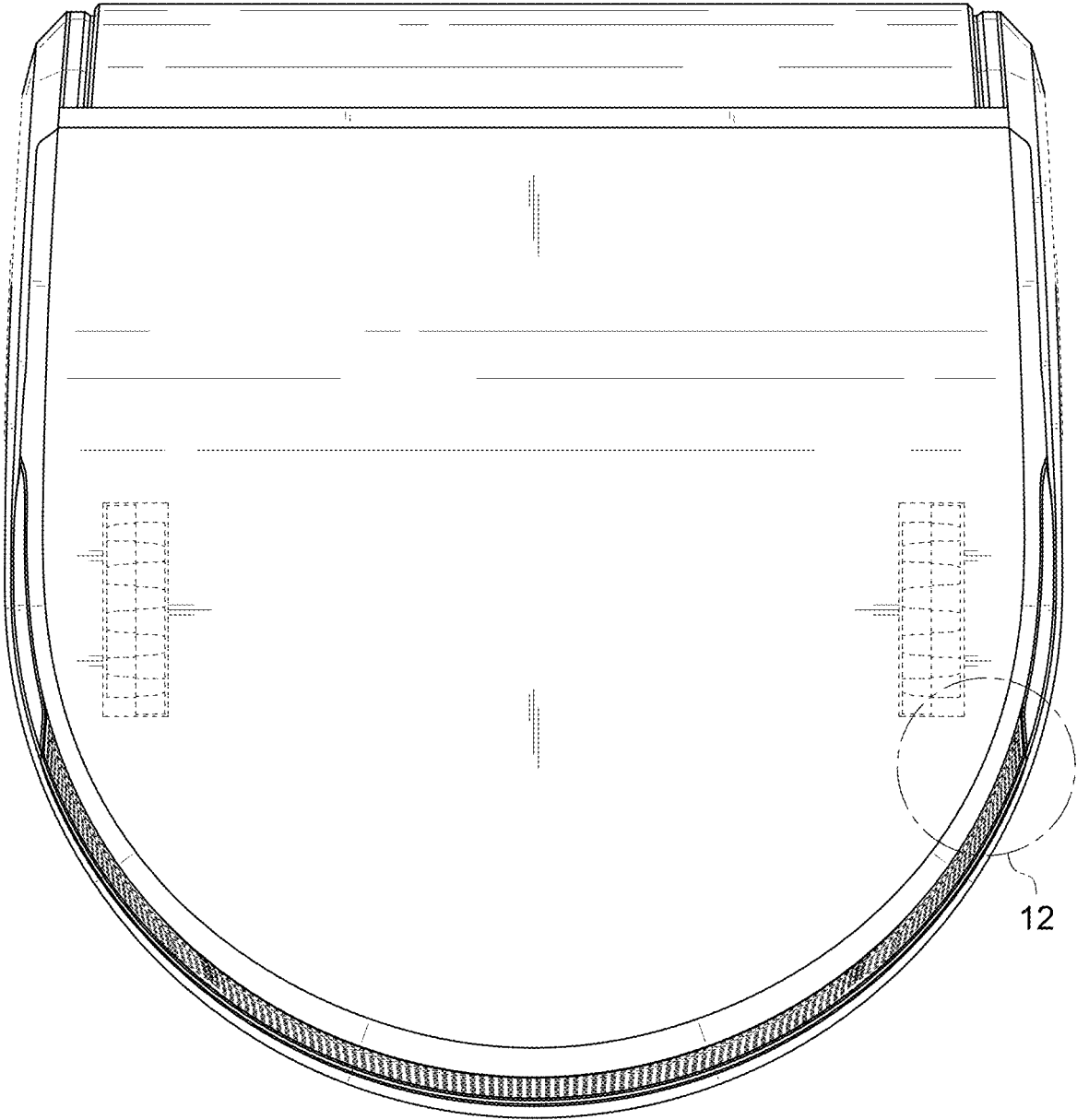


FIG. 8

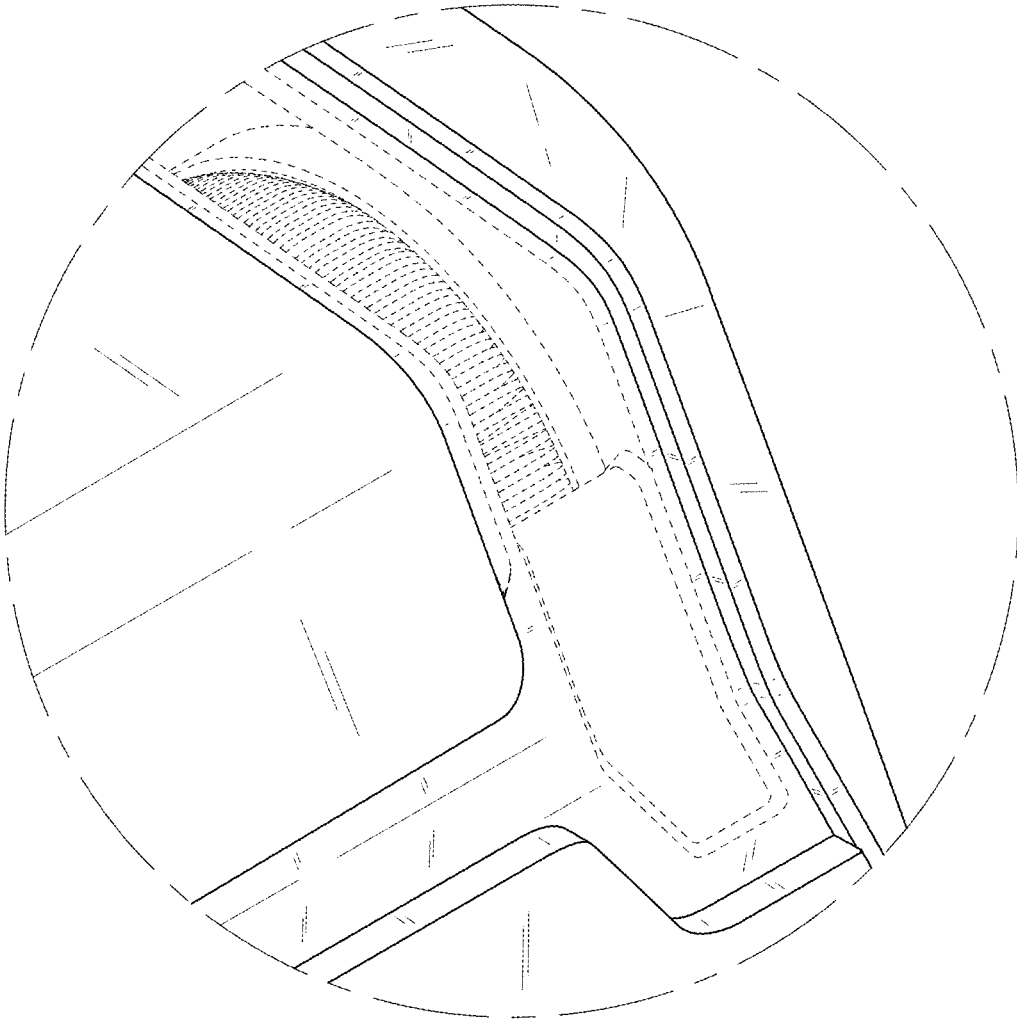


FIG. 9

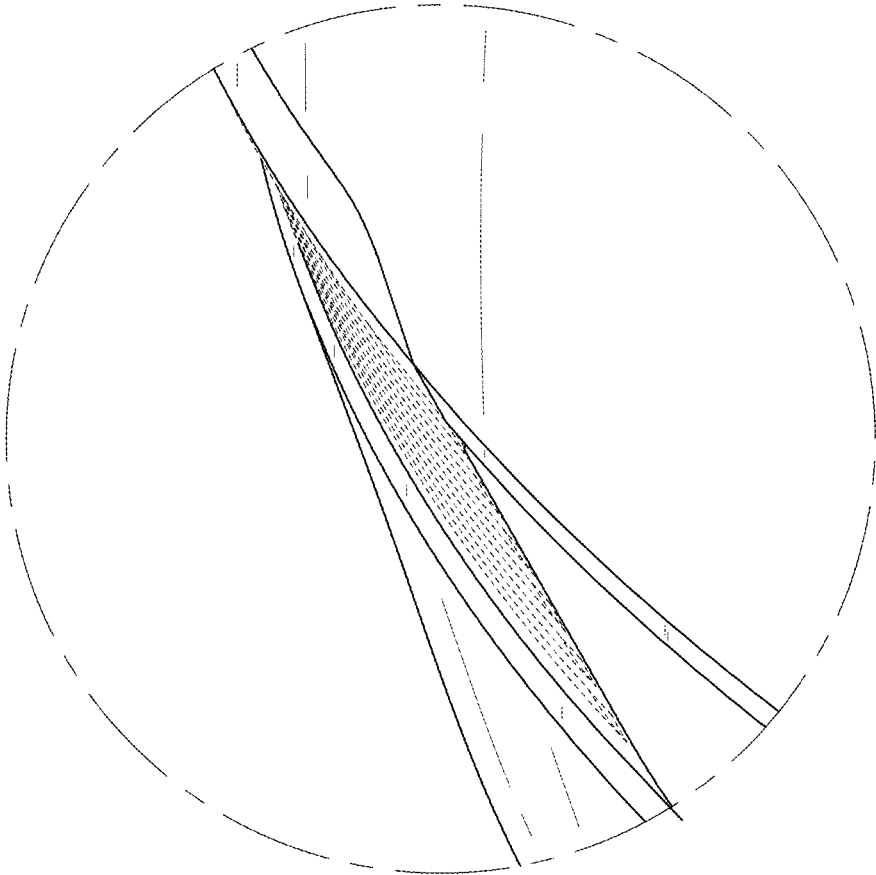


FIG. 10

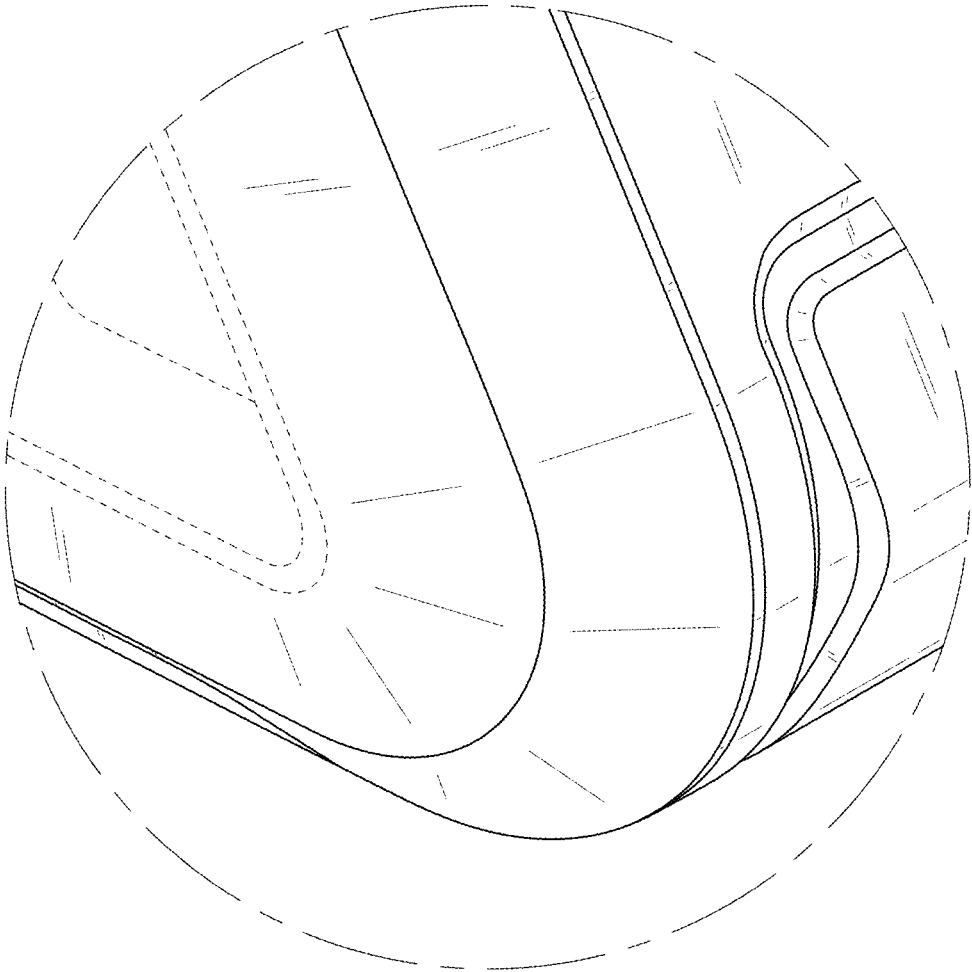


FIG. 11

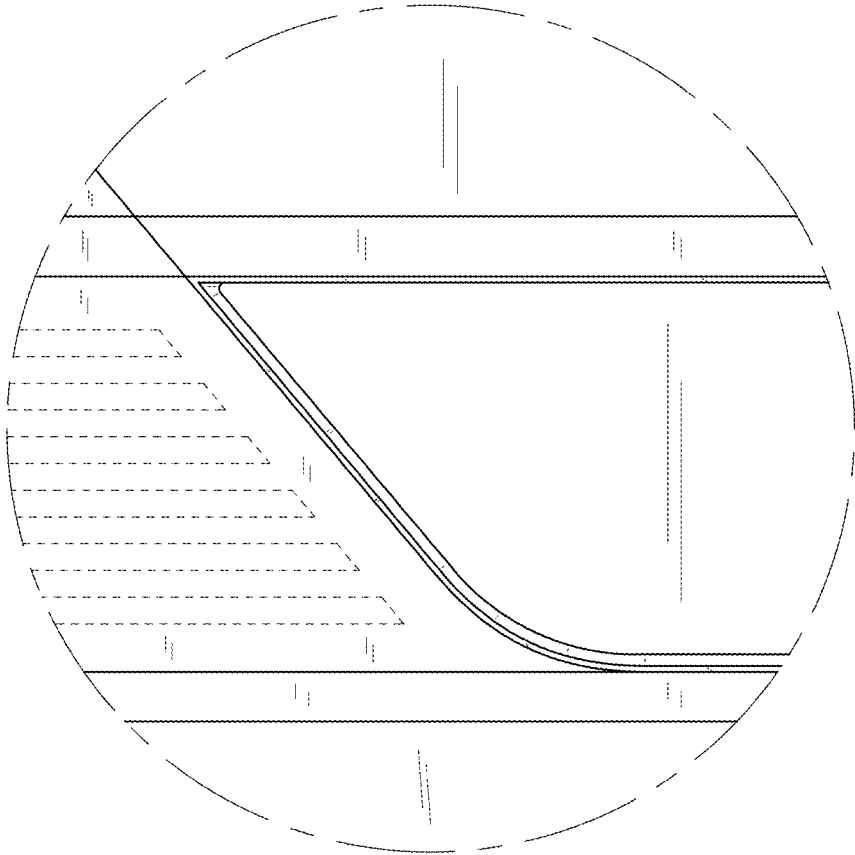


FIG. 12

