



US00D851340S

(12) **United States Design Patent**  
**Metzel et al.**

(10) **Patent No.:** **US D851,340 S**  
(45) **Date of Patent:** **\*\* Jun. 11, 2019**

- (54) **PLUNGER**
- (71) Applicant: **Carl Freudenberg KG**, Weinheim (DE)
- (72) Inventors: **Doug Metzel**, Berwyn, IL (US);  
**Conrad Alfaro**, Bolingbrook, IL (US)
- (73) Assignee: **Carl Freudenberg KG**, Weinheim (DE)
- (\*\*) Term: **15 Years**
- (21) Appl. No.: **29/634,158**
- (22) Filed: **Jan. 18, 2018**
- (51) **LOC (11) Cl.** ..... **15-05**
- (52) **U.S. Cl.**  
USPC ..... **D32/14**
- (58) **Field of Classification Search**  
USPC ..... D32/1, 14, 25, 35; D23/223, 224;  
D6/524  
CPC ..... D03C 1/308; A47K 11/10  
See application file for complete search history.

D509,333	S *	9/2005	Tash	.....	D32/35
D511,597	S *	11/2005	Morrow	.....	D32/14
D514,760	S *	2/2006	Schoolcraft	.....	D32/35
D535,073	S *	1/2007	Leaphart	.....	D32/35
D647,671	S *	10/2011	Stein	.....	D32/14
D684,325	S *	6/2013	Newman	.....	D32/14
D688,840	S *	8/2013	Wu	.....	D32/14
D690,959	S *	10/2013	Yang	.....	D6/524
D722,210	S *	2/2015	Gwen	.....	D32/14
9,631,349	B2 *	4/2017	Petner	.....	E03C 1/308
2005/0172385	A1 *	8/2005	Jiang	.....	E03C 1/308
					4/255.05
2009/0106887	A1 *	4/2009	Dressel	.....	E03C 1/308
					4/255.11
2011/0016621	A1 *	1/2011	Kares	.....	E03D 9/00
					4/255.11
2013/0036542	A1 *	2/2013	Loughman	.....	A47K 11/10
					4/255.11

(Continued)

*Primary Examiner* — Michelle E. Wilson  
(74) *Attorney, Agent, or Firm* — Leydig, Voit & Mayer, Ltd.

(57) **CLAIM**

The ornamental design for a plunger, as shown and described.

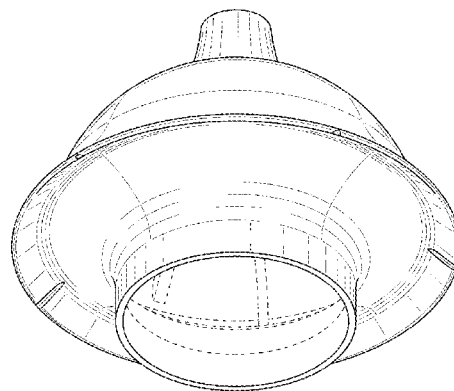
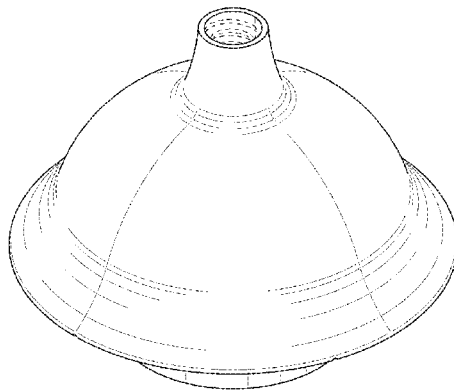
**DESCRIPTION**

FIG. 1 is a perspective view taken from the front and top of a plunger in accordance with our new design.  
FIG. 2 is a perspective view taken from the front and bottom of the plunger of FIG. 1.  
FIG. 3 is a right side elevational view of the plunger of FIG. 1.  
FIG. 4 is a front elevational view of the plunger of FIG. 1.  
FIG. 5 is a top plan view of the plunger of FIG. 1; and, FIG. 6 is a bottom plan view of the plunger of FIG. 1.  
The rear and left views are the same as respective front and right elevational views.

**1 Claim, 3 Drawing Sheets**

(56) **References Cited**  
U.S. PATENT DOCUMENTS

D292,631	S *	11/1987	Tash	.....	D32/14
D306,756	S *	3/1990	Isakson	.....	D23/231
D364,251	S *	11/1995	Novak	.....	D32/35
D437,463	S *	2/2001	Garay	.....	D32/14
D437,667	S *	2/2001	Hwang	.....	D32/35
D441,507	S *	5/2001	Gholston	.....	D32/14
D448,534	S *	9/2001	Wang	.....	D32/35
D454,673	S *	3/2002	Hwang	.....	D32/35
D456,574	S *	4/2002	Chen	.....	D32/35
D457,277	S *	5/2002	Poston	.....	D32/14
D464,775	S *	10/2002	Larson	.....	D32/35
D465,888	S *	11/2002	Wang	.....	D32/35
D466,658	S *	12/2002	Van Dam	.....	D32/14
D491,702	S *	6/2004	Tash	.....	D32/14



(56)

**References Cited**

U.S. PATENT DOCUMENTS

2013/0125298 A1\* 5/2013 Guthrie ..... E03D 9/00  
4/255.11  
2014/0033419 A1\* 2/2014 Daciw ..... E03C 1/308  
4/255.11  
2014/0075661 A1\* 3/2014 Zeng ..... E03D 9/00  
4/255.11  
2014/0115768 A1\* 5/2014 Wang ..... E03D 9/00  
4/255.11  
2015/0240466 A1\* 8/2015 Schultz ..... A47K 11/10  
4/255.11  
2016/0000281 A1\* 1/2016 Butts ..... A47G 29/08  
206/581  
2016/0017583 A1\* 1/2016 Petner ..... E03C 1/308  
4/255.11  
2016/0298322 A1\* 10/2016 Zavala ..... E03D 11/00

\* cited by examiner

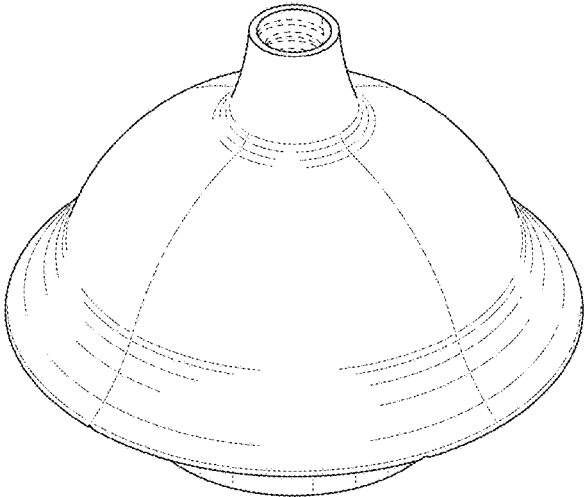


FIG. 1

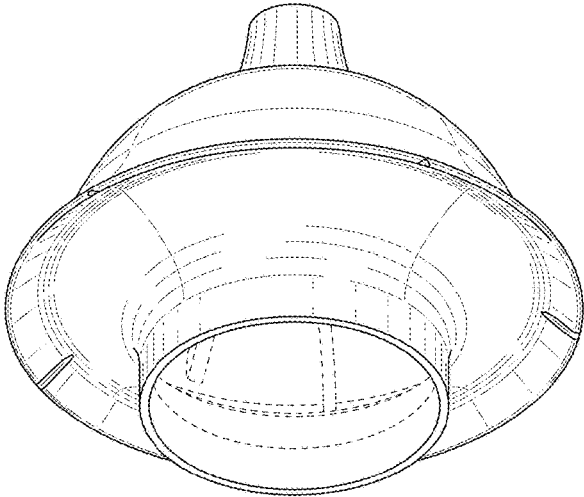


FIG. 2

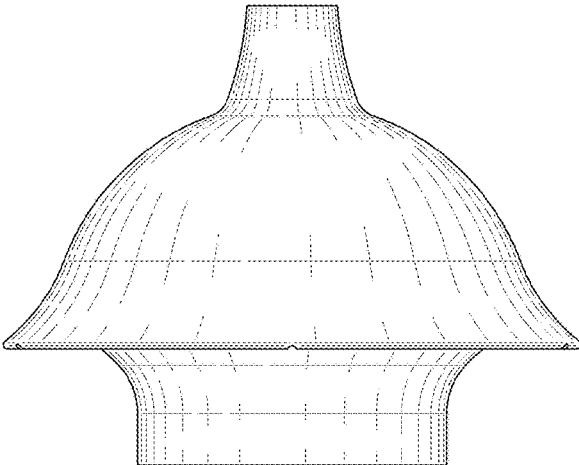


FIG. 3

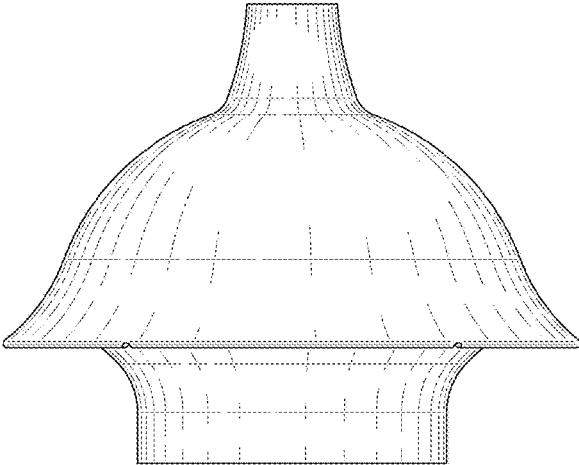


FIG. 4

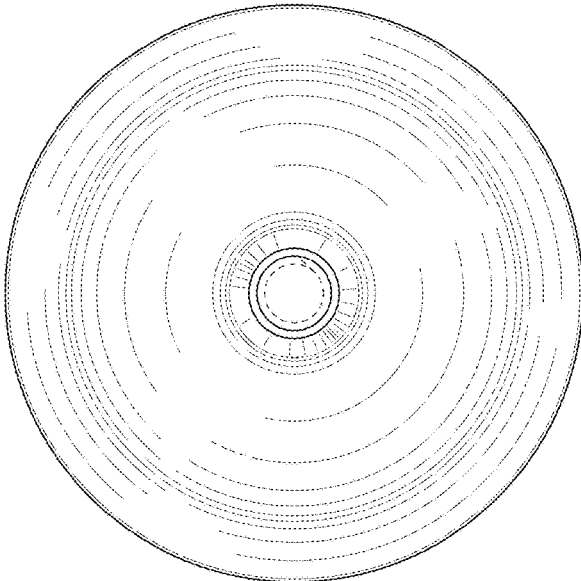


FIG. 5

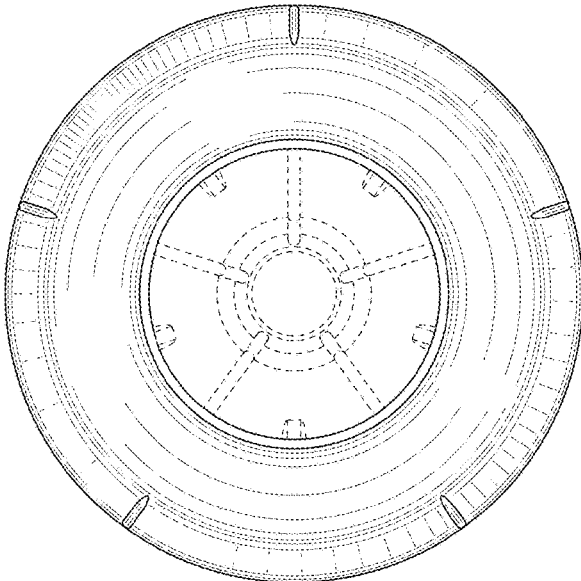


FIG. 6