



US00D914549S

(12) **United States Design Patent**
Chen

(10) **Patent No.:** **US D914,549 S**

(45) **Date of Patent:** **** Mar. 30, 2021**

(54) **ELECTRIC BIKE**

(71) Applicant: **Foshan Zhengbu Technology Co., Ltd.**, Foshan (CN)

(72) Inventor: **Yaping Chen**, Foshan (CN)

(73) Assignee: **Foshan Zhengbu Technology Co., Ltd.**, Foshan (CN)

(**) Term: **15 Years**

(21) Appl. No.: **29/711,033**

(22) Filed: **Oct. 28, 2019**

(51) **LOC (13) Cl.** **12-13**

(52) **U.S. Cl.** **D12/111**
USPC **D12/111**

(58) **Field of Classification Search**
USPC D12/110, 111, 112, 114, 117, 119
CPC ... B62K 3/00; B62K 3/02; B62K 5/00; B62K 5/003; B62K 5/007; B62K 5/01; B62K 11/00; B62K 11/02; B62K 11/04; B62K 15/00; B62K 2202/00; B62J 37/00
See application file for complete search history.

(56) **References Cited**

U.S. PATENT DOCUMENTS

D519,416 S *	4/2006	Wu	D12/111
D578,042 S *	10/2008	Yang	D12/111
D587,630 S *	3/2009	Yang	D12/111
D727,214 S *	4/2015	Yang	D12/111
D727,215 S *	4/2015	Yang	D12/111
D774,971 S *	12/2016	Lambri	D12/111
D774,972 S *	12/2016	Lambri	D12/111
D804,364 S *	12/2017	Xianqiang	D12/111
D828,231 S *	9/2018	Yan	D12/111
D833,333 S *	11/2018	Yu	D12/111
D833,916 S *	11/2018	Yu	D12/111
D845,178 S *	4/2019	Yan	D12/111

D847,032 S *	4/2019	Yan	D12/111
D850,982 S *	6/2019	Zhu	D12/111
D850,983 S *	6/2019	Zhu	D12/111
D859,222 S *	9/2019	Demeyere	D12/111
D879,668 S *	3/2020	Wu	D12/111
D890,633 S *	7/2020	Zhou	D12/111
D898,625 S *	10/2020	Lin	D12/111
D900,680 S *	11/2020	Chen	D12/111
D903,532 S *	12/2020	Ma	D12/111
D906,184 S *	12/2020	Liao	D12/111
2020/0079471 A1 *	3/2020	Eguchi	B62M 6/90

OTHER PUBLICATIONS

“Folding electric bike lamplight ebike electric bicycle” Zhengbli., posted date Nov. 28, 2019 [online], [retrieved on Jan. 29, 2021], Retrieved from the Internet <URL:http://www.zbebike.com/folding-electric-bike-lamplight-ebike-electric-bicycle.html> (Year: 2019).*

(Continued)

Primary Examiner — Darlington Ly
Assistant Examiner — Nasim Abdulaziz Ali
(74) *Attorney, Agent, or Firm* — CBM Patent Consulting, LLC

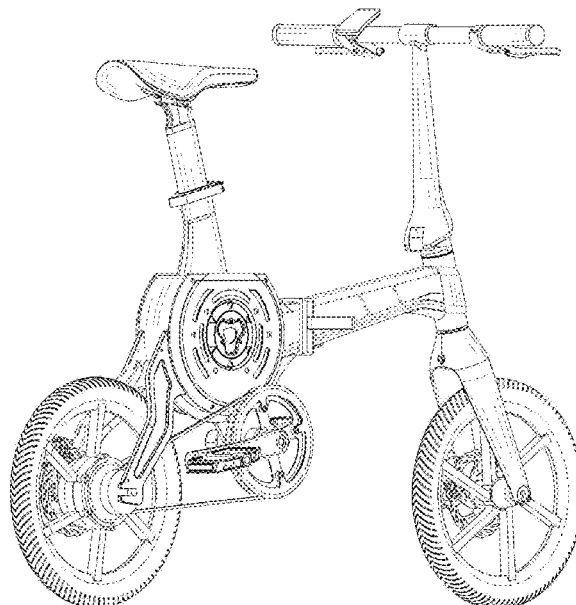
(57) **CLAIM**

The ornamental design for an electric bike, as shown and described.

DESCRIPTION

FIG. 1 is a top plan view of an electric bike embodying my new design;
FIG. 2 is a bottom plan view thereof;
FIG. 3 is a front elevation view thereof;
FIG. 4 is a rear elevation view thereof;
FIG. 5 is a left side elevation view thereof;
FIG. 6 is a right side elevation view thereof; and,
FIG. 7 is a rear and right side perspective view thereof.

1 Claim, 7 Drawing Sheets



(56)

References Cited

OTHER PUBLICATIONS

“Folding electric bike lamplight ebike electric bicycle” Alibaba., posted date Jan. 23, 2019 [online], [retrieved on Jan. 29, 2021]. Retrieved from the Internet <URL: https://www.alibaba.com/product-detail/Folding-electric-bike-lamplight-ebike-electric_62391225813.html> (Year: 2019).*

“HHS Hybrid e-Bikeo” Solar Shop., posted date Aug. 20, 2019 [online], [retrieved on Jan. 29, 2021], Retrieved from the Internet <URL: <https://www.solarshop-huahin.com/product/hhs-hybrid-mountain-bike/>> (Year: 2019).*

* cited by examiner

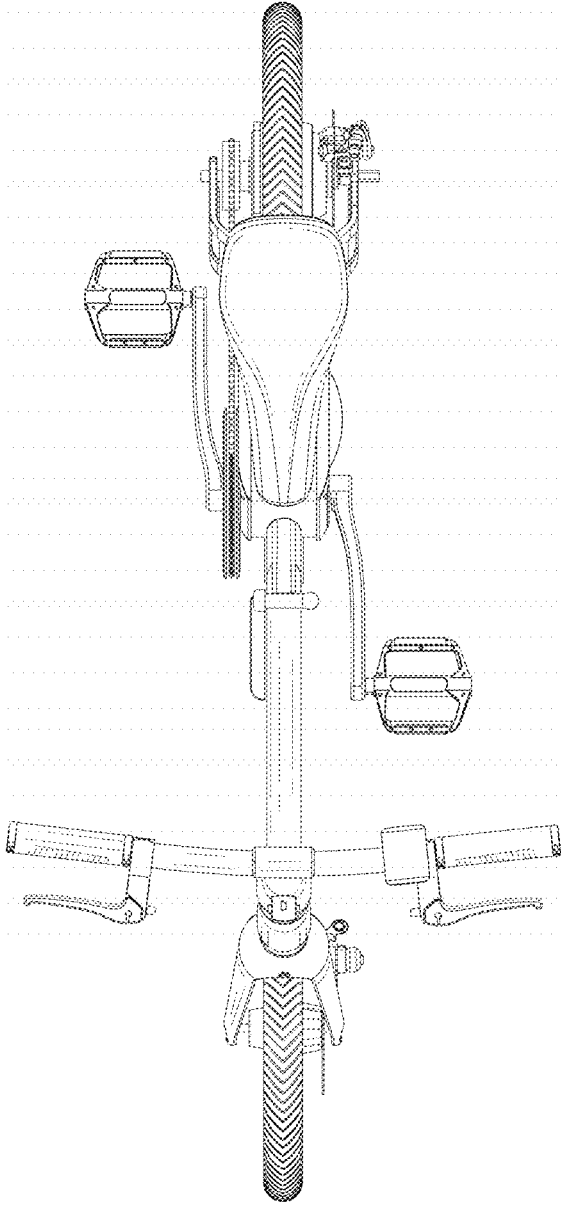


FIG. 1

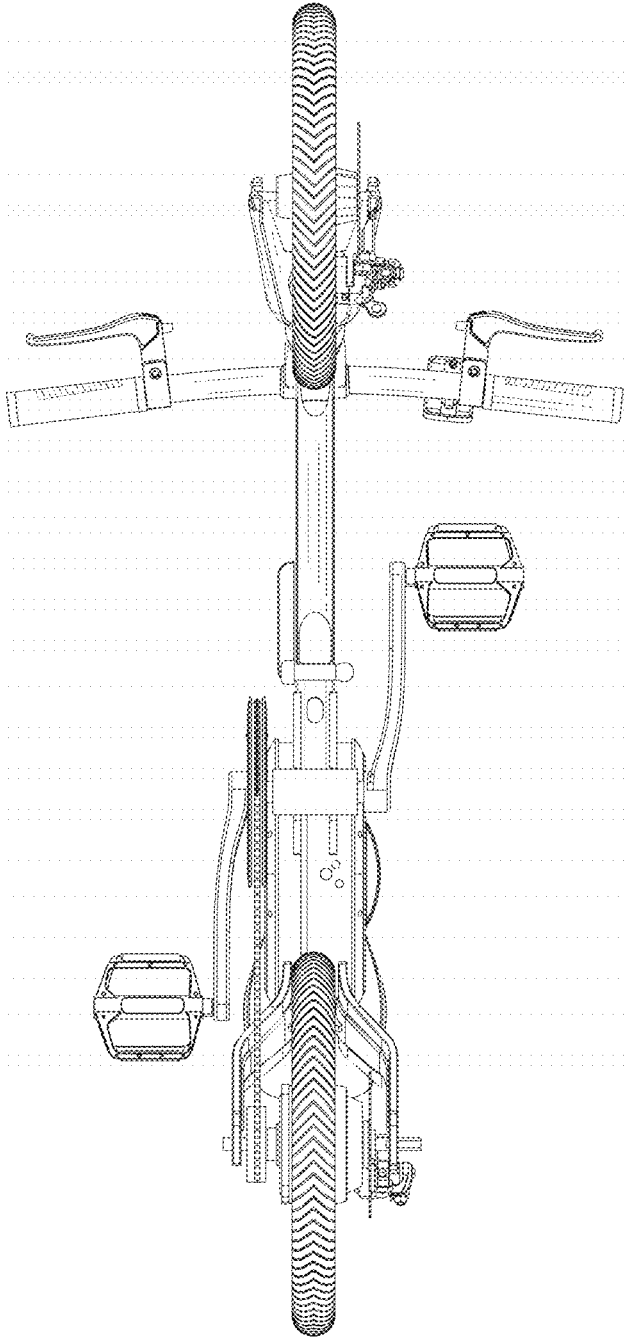


FIG. 2

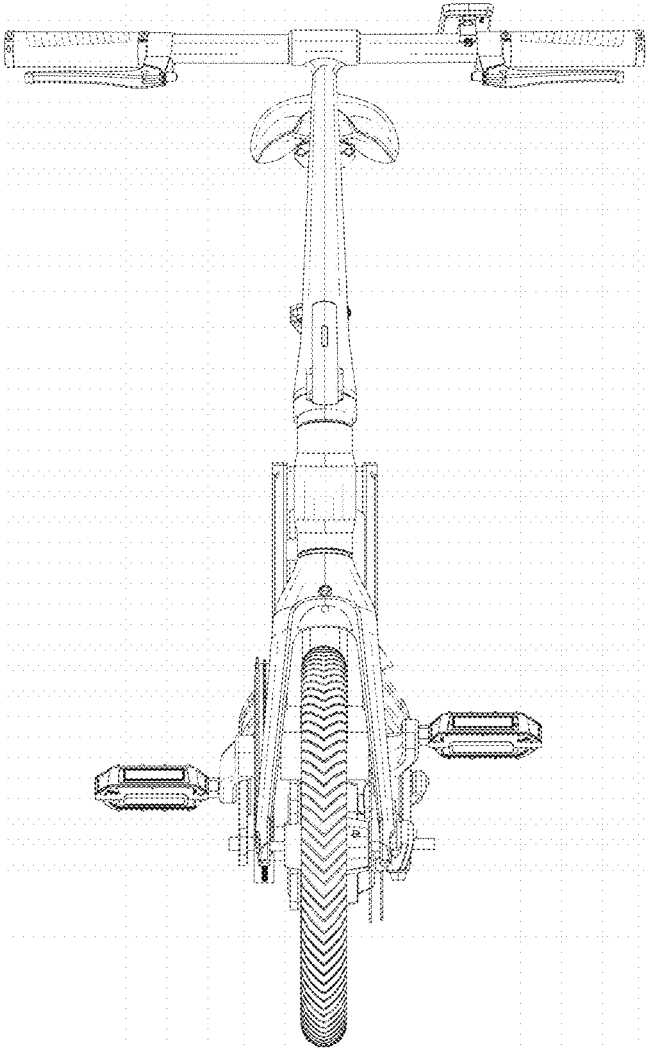


FIG. 3

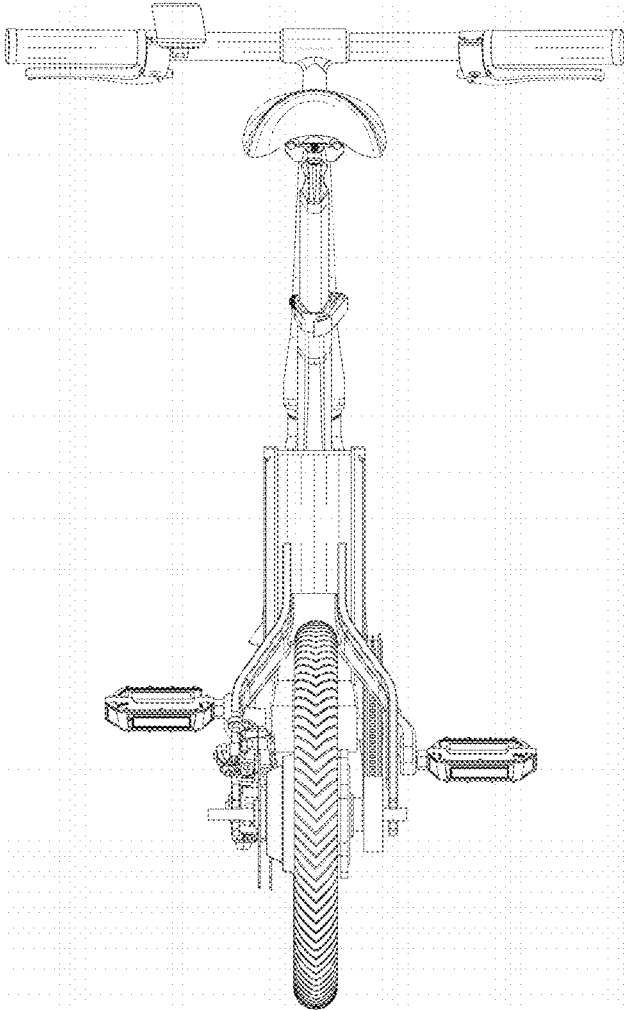


FIG. 4

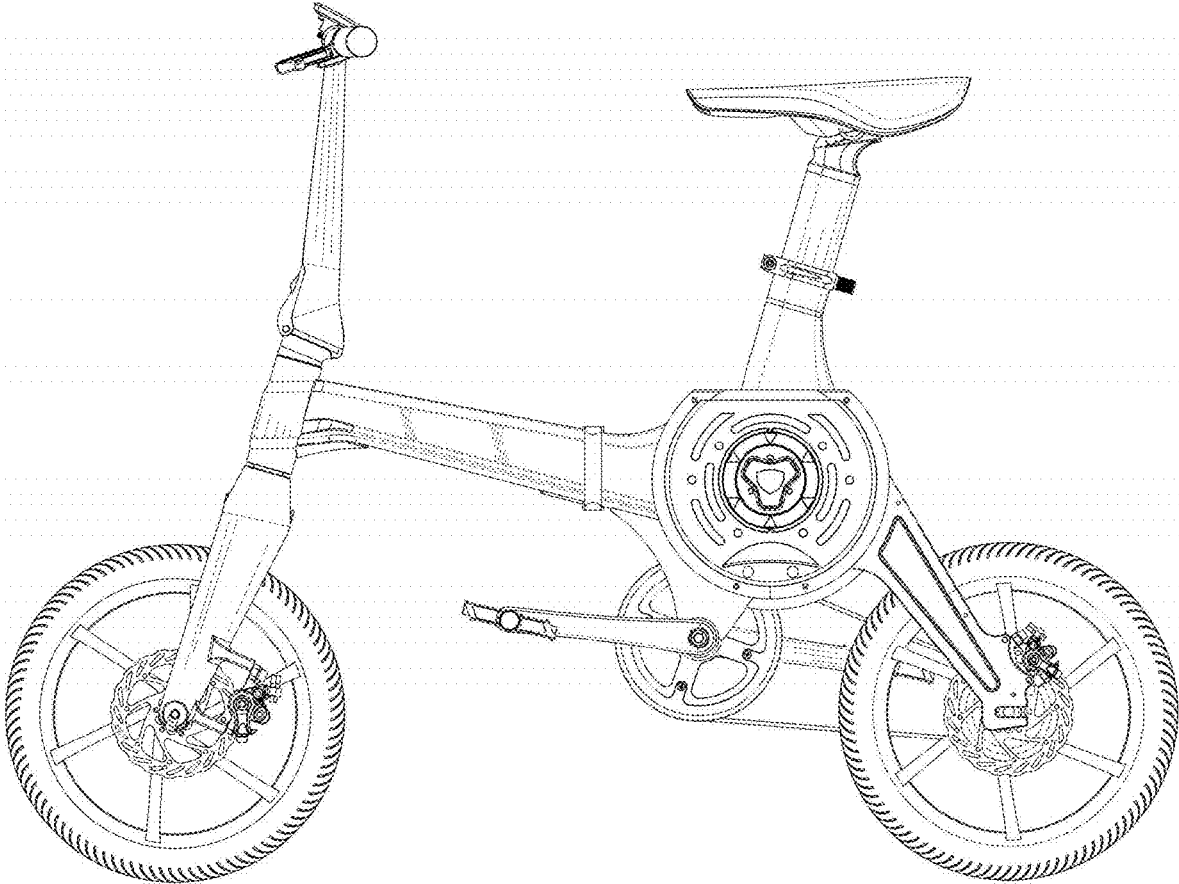


FIG. 5

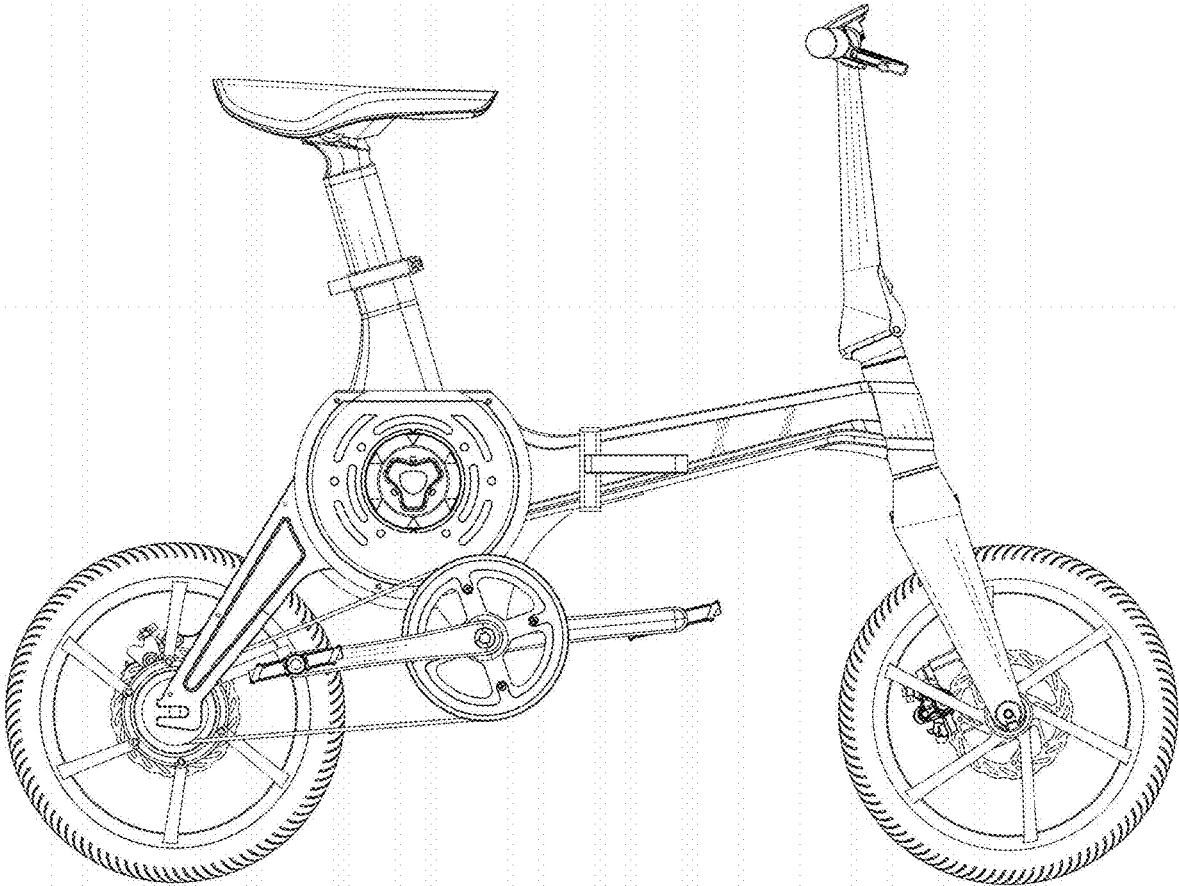


FIG. 6

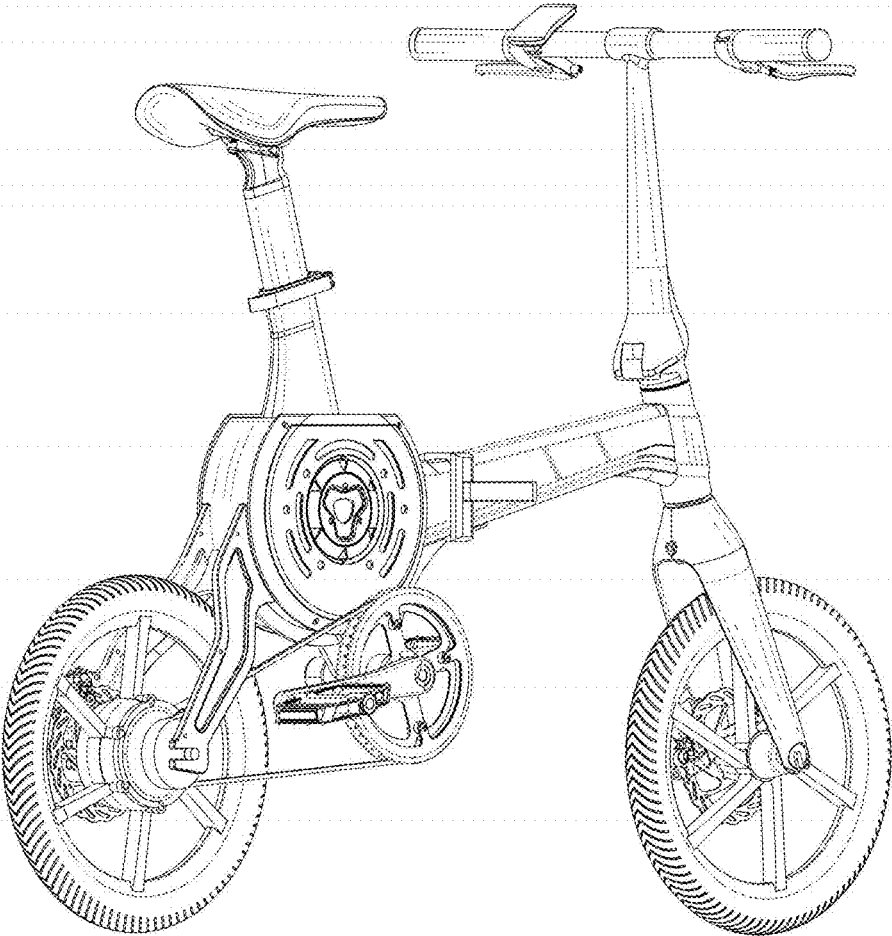


FIG. 7