



(51) International Patent Classification:

F21L 4/00 (2006.01) F21Y 101/02 (2006.01)
F21V 17/00 (2006.01)

(21) International Application Number:

PCT/US2012/048393

(22) International Filing Date:

26 July 2012 (26.07.2012)

(25) Filing Language:

English

(26) Publication Language:

English

(30) Priority Data:

61/514,013 1 August 2011 (01.08.2011) US
13/536,739 28 June 2012 (28.06.2012) US

(71) Applicant (for all designated States except US): XGLOW

P/T, LLC [US/US]; 29068 N. 108th Street, Scottsdale, Arizona 85262 (US).

(72) Inventors; and

(75) Inventors/Applicants (for US only): POPPER, Richard

S. [US/US]; 29068 N. 108th Street, Scottsdale, Arizona 85262 (US). JORGENSEN, Jensen [ZA/US]; 29068 N. 108th Street, Scottsdale, Arizona 85262 (US).

(74) Agents: BEUERLE, Stephen C. et al.; Suite 2200, 525 B

Street, San Diego, California 92101 (US).

(81) Designated States (unless otherwise indicated, for every

kind of national protection available): AE, AG, AL, AM,

AO, AT, AU, AZ, BA, BB, BG, BH, BN, BR, BW, BY, BZ, CA, CH, CL, CN, CO, CR, CU, CZ, DE, DK, DM, DO, DZ, EC, EE, EG, ES, FI, GB, GD, GE, GH, GM, GT, HN, HR, HU, ID, IL, IN, IS, JP, KE, KG, KM, KN, KP, KR, KZ, LA, LC, LK, LR, LS, LT, LU, LY, MA, MD, ME, MG, MK, MN, MW, MX, MY, MZ, NA, NG, NI, NO, NZ, OM, PE, PG, PH, PL, PT, QA, RO, RS, RU, RW, SC, SD, SE, SG, SK, SL, SM, ST, SV, SY, TH, TJ, TM, TN, TR, TT, TZ, UA, UG, US, UZ, VC, VN, ZA, ZM, ZW.

(84) Designated States (unless otherwise indicated, for every

kind of regional protection available): ARIPO (BW, GH, GM, KE, LR, LS, MW, MZ, NA, RW, SD, SL, SZ, TZ, UG, ZM, ZW), Eurasian (AM, AZ, BY, KG, KZ, RU, TJ, TM), European (AL, AT, BE, BG, CH, CY, CZ, DE, DK, EE, ES, FI, FR, GB, GR, HR, HU, IE, IS, IT, LT, LU, LV, MC, MK, MT, NL, NO, PL, PT, RO, RS, SE, SI, SK, SM, TR), OAPI (BF, BJ, CF, CG, CI, CM, GA, GN, GQ, GW, ML, MR, NE, SN, TD, TG).

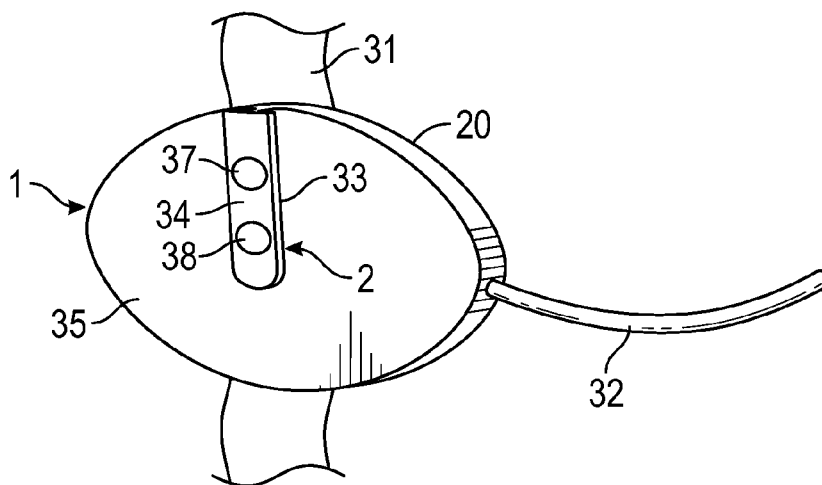
Published:

- with international search report (Art. 21(3))
- before the expiration of the time limit for amending the claims and to be republished in the event of receipt of amendments (Rule 48.2(h))

(88) Date of publication of the international search report:

4 April 2013

(54) Title: COMBINATION HEADLAMP AND FLASHLIGHT ASSEMBLY AND METHOD OF USE



(57) Abstract: A combination headlamp and flashlight assembly includes a headlamp base; a headlamp head including a light source; a battery case, and a battery. The combination headlamp and flashlight assembly is changeable between a headlamp configuration and a handheld flashlight configuration. In the headlamp configuration, the headlamp head is mechanically and electrically coupled to the headlamp base to form a headlamp, the battery case carries the battery, and the battery case is electrically coupled to the headlamp base for powering the light source with the battery to provide illumination. In the handheld flashlight configuration, the headlamp head is mechanically and electrically coupled to the battery to form a handheld flashlight where the battery forms a handle and body of the handheld flashlight and powers the light source to provide illumination.



A. CLASSIFICATION OF SUBJECT MATTER***F21L 4/00(2006.01)i, F21V 17/00(2006.01)i, F21Y 101/02(2006.01)n***

According to International Patent Classification (IPC) or to both national classification and IPC

B. FIELDS SEARCHED

Minimum documentation searched (classification system followed by classification symbols)

F21L 4/00; F21V 33/00; H02J 7/00; F21L 7/00; F21L 4/08

Documentation searched other than minimum documentation to the extent that such documents are included in the fields searched

Korean utility models and applications for utility models

Japanese utility models and applications for utility models

Electronic data base consulted during the international search (name of data base and, where practicable, search terms used)

eKOMPASS(KIPO internal) & Keywords: headlamp, detachable, flashlight, handheld

C. DOCUMENTS CONSIDERED TO BE RELEVANT

Category*	Citation of document, with indication, where appropriate, of the relevant passages	Relevant to claim No.
X	KR 10-2010-0070756 A (BYUNG JIP LEE) 28 June 2010	1-2,6-8
Y	See paragraphs [0018], [0023]-[0025], [0034]-[0035], [0046]-[0047]; and figures 1, 4-6.	3-5,9-10
Y	US 2004-0257035 A1 (RICHARD CHANG) 23 December 2004 See paragraphs [0007]-[0011], [0018]-[0019], [0022]; claim 1; and figure 4.	3-5,9-10
A	US 6953260 B1 (DAVID M. ALLEN) 11 October 2005 See column 1, line 64 - column 2, line 56; and figures 1-5.	1-10
A	US 5853241 A (RAYMOND SHARRAH et al.) 29 December 1998 See column 1, lines 39-59; claims 1-19; and figures 1-3.	1-10
A	US 4317162 A (RAYMOND R. RICHARDS et al.) 23 February 1982 See column 1, line 55 - column 3, line 31; claims 1-13; and figure 1.	1-10

 Further documents are listed in the continuation of Box C. See patent family annex.

* Special categories of cited documents:

"A" document defining the general state of the art which is not considered to be of particular relevance

"E" earlier application or patent but published on or after the international filing date

"L" document which may throw doubts on priority claim(s) or which is cited to establish the publication date of citation or other special reason (as specified)

"O" document referring to an oral disclosure, use, exhibition or other means

"P" document published prior to the international filing date but later than the priority date claimed

"T" later document published after the international filing date or priority date and not in conflict with the application but cited to understand the principle or theory underlying the invention

"X" document of particular relevance; the claimed invention cannot be considered novel or cannot be considered to involve an inventive step when the document is taken alone

"Y" document of particular relevance; the claimed invention cannot be considered to involve an inventive step when the document is combined with one or more other such documents, such combination being obvious to a person skilled in the art

"&" document member of the same patent family

Date of the actual completion of the international search

31 JANUARY 2013 (31.01.2013)

Date of mailing of the international search report

01 FEBRUARY 2013 (01.02.2013)

Name and mailing address of the ISA/KR

Korean Intellectual Property Office
189 Cheongsu-ro, Seo-gu, Daejeon Metropolitan
City, 302-701, Republic of Korea

Facsimile No. 82-42-472-7140

Authorized officer

KIM, Do Weon

Telephone No. 82-42-481-5560



INTERNATIONAL SEARCH REPORT

Information on patent family members

International application No.

PCT/US2012/048393

Patent document cited in search report	Publication date	Patent family member(s)	Publication date
KR 10-2010-0070756 A	28.06.2010	None	
US 2004-0257035 A1	23.12.2004	DE 202004008250 U1 GB 0410759 D0 GB 2403071 A GB 2403071 B TW 229490 A US 7285934 B2	02.09.2004 16.06.2004 22.12.2004 29.11.2006 11.03.2005 23.10.2007
US 6953260 B1	11.10.2005	None	
US 5853241 A	29.12.1998	None	
US 4317162 A	23.02.1982	None	