



US00D764901S

(12) **United States Design Patent** (10) **Patent No.:** **US D764,901 S**
Esparza (45) **Date of Patent:** **** Aug. 30, 2016**

- (54) **OBJECT HANGING APPARATUS**
- (71) Applicant: **Sergio Esparza**, La Puente, CA (US)
- (72) Inventor: **Sergio Esparza**, La Puente, CA (US)
- (**) Term: **15 Years**
- (21) Appl. No.: **29/536,659**
- (22) Filed: **Aug. 18, 2015**

6,948,627 B1	9/2005	Evans	
7,047,601 B1 *	5/2006	Vernon-Woods A45F 5/02 24/3.12
D584,939 S *	1/2009	Snell D8/367
7,784,624 B1	8/2010	Pinto	
7,789,248 B1	9/2010	Salerno et al.	
D641,228 S *	7/2011	Qiblawi D8/367
8,002,225 B1	8/2011	Malone	
8,322,667 B2	12/2012	Zannoni	
8,371,457 B2	2/2013	Entz	
8,523,127 B1	9/2013	Bennett	
D715,133 S *	10/2014	Pan D8/367
D715,625 S *	10/2014	Pan D8/367
D715,626 S *	10/2014	Pan D8/367
D746,127 S *	12/2015	Cohen D8/367
2004/0178240 A1 *	9/2004	Bauer A45F 5/02 224/268
2005/0194335 A1	9/2005	Hibner	
2006/0022105 A1	2/2006	MacKay	
2009/0283486 A1	11/2009	Reason-Kerkhoff	
2010/0282935 A1	11/2010	Zannoni	

Related U.S. Application Data

- (63) Continuation-in-part of application No. 13/773,073, filed on Feb. 21, 2013, now abandoned.
- (51) **LOC (10) Cl.** **08-05**
- (52) **U.S. Cl.**
USPC **D8/367**
- (58) **Field of Classification Search**
USPC D8/367, 354, 349, 356; 248/205.1
CPC A62B 1/00; A62B 7/00; A45F 5/02
See application file for complete search history.

* cited by examiner

Primary Examiner — Cynthia Underwood

(57) **CLAIM**
The ornamental design for an object hanging apparatus, as shown and described.

(56) **References Cited**

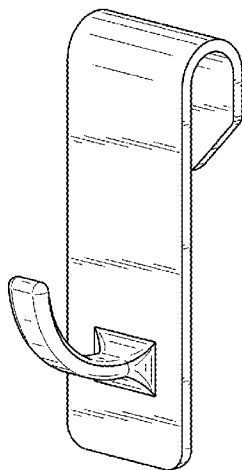
U.S. PATENT DOCUMENTS

424,239 A	3/1892	Williams et al.
539,194 A	5/1895	Savole
1,113,001 A	10/1914	Goar
1,714,087 A	5/1929	Goldhardt
2,175,421 A	10/1939	Wright
4,049,126 A	9/1977	Halverson
4,062,430 A	12/1977	Momberg
4,582,284 A	4/1986	Veenstra
4,953,817 A	9/1990	Mosteller
5,413,228 A	5/1995	Le Clerc
5,509,632 A	4/1996	Mesna et al.
5,566,837 A	10/1996	Lema
5,582,377 A	12/1996	Quesada
5,823,360 A	10/1998	Gorosave
6,193,084 B1	2/2001	Oliver
6,293,413 B1	9/2001	Patton
6,422,401 B1	7/2002	Roten
6,659,412 B1	12/2003	Roach
6,749,074 B1	6/2004	Hileman et al.

DESCRIPTION

FIG. 1 is a perspective view of an object hanging apparatus showing my new design;
FIG. 2 is a front elevational view thereof;
FIG. 3 is a rear elevational view thereof
FIG. 4 is a right side elevational view thereof;
FIG. 5 is a left side elevational thereof;
FIG. 6 is a top plan view thereof;
FIG. 7 is a bottom plan view thereof; and,
FIG. 8 is a perspective view showing the object hanging apparatus in an exemplary environment.
The broken lines showing a fence, a baseball helmet, a baseball glove and a baseball cap represent environment only and form no part of the claim.

1 Claim, 3 Drawing Sheets



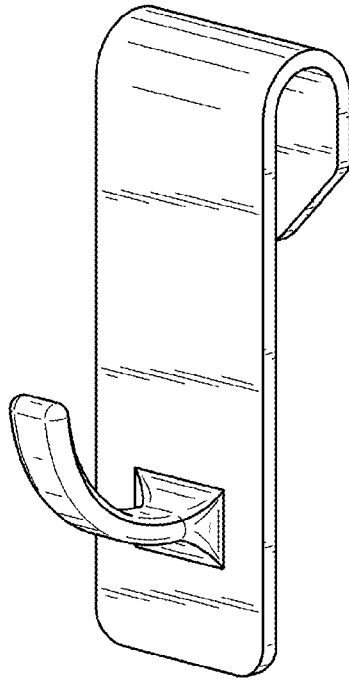


FIG. 1

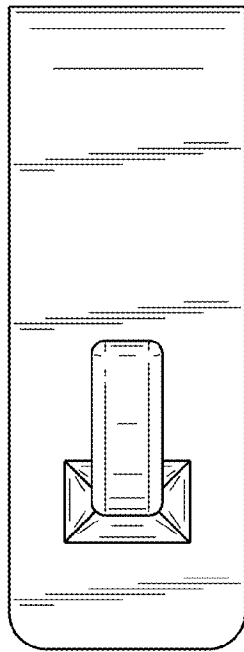


FIG. 2

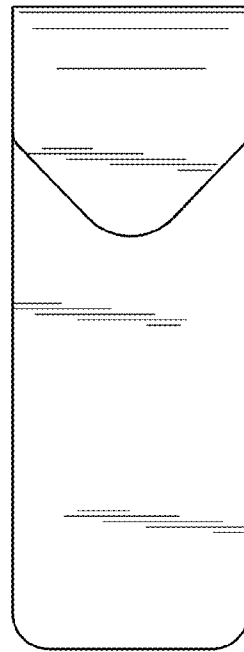


FIG. 3

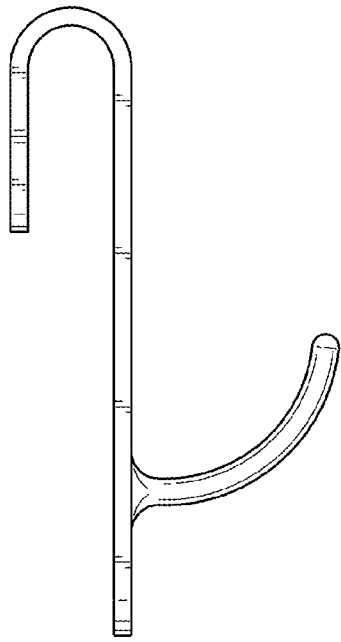


FIG. 4

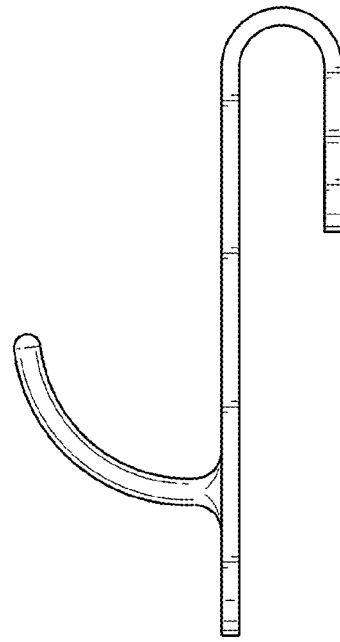


FIG. 5

FIG. 6

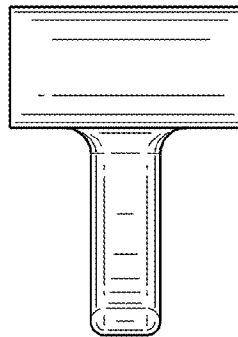
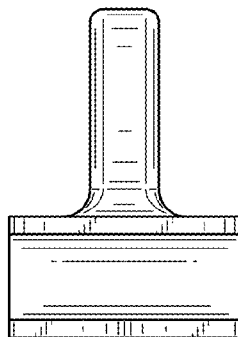


FIG. 7



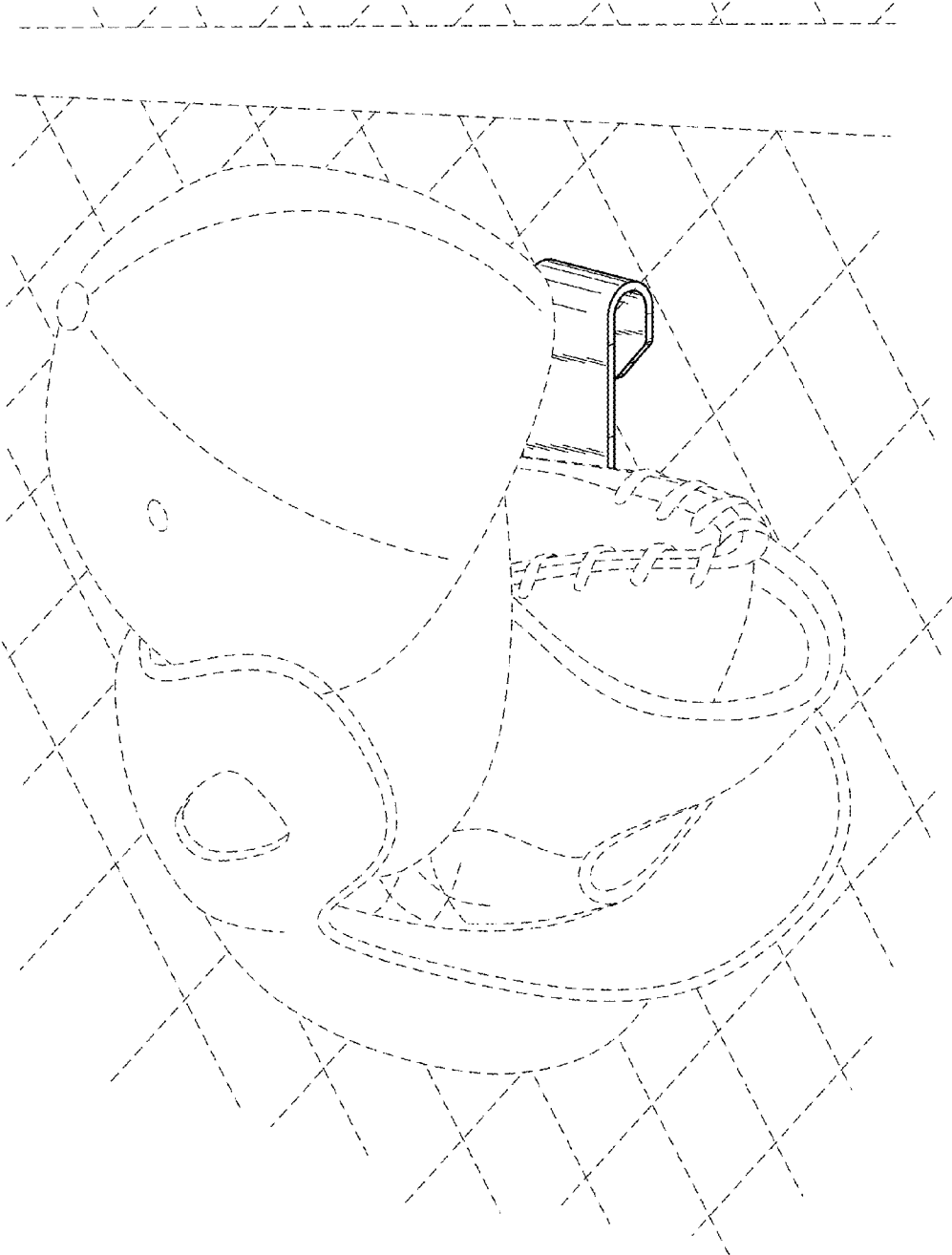


FIG. 8