

(19) World Intellectual Property Organization  
International Bureau



(43) International Publication Date  
6 December 2001 (06.12.2001)

PCT

(10) International Publication Number  
WO 01/91877 A3

(51) International Patent Classification<sup>7</sup>: B01D 19/00,  
C08F 6/00, B01D 3/06, B01F 5/04

George [US/US]; 16719 Rustic Colony Dr., Sugar Land,  
TX 77479 (US).

(21) International Application Number: PCT/US01/17563

(74) Agent: TACKETT, Keith, M.; Thomason, Moser & Pat-  
terson, LLP, 3040 Post Oak Blvd., Suite 1500, Houston, TX  
77056 (US).

(22) International Filing Date: 31 May 2001 (31.05.2001)

(25) Filing Language: English

(81) Designated States (national): BR, JP, US.

(26) Publication Language: English

(84) Designated States (regional): European patent (BE, DE,  
ES, FR, GB, IT, NL).

(30) Priority Data:  
60/208,183 31 May 2000 (31.05.2000) US

**Published:**  
— with international search report  
— before the expiration of the time limit for amending the  
claims and to be republished in the event of receipt of  
amendments

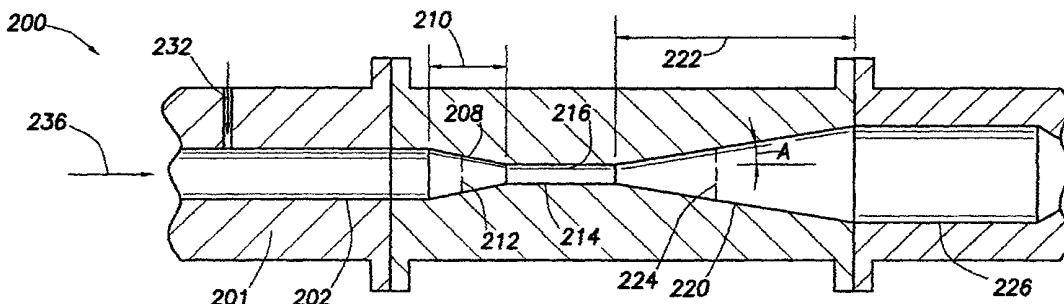
(71) Applicant (for all designated States except US): KRATON  
POLYMERS RESEARCH, B.V. [NL/NL]; Badhuisweg  
3, NL-1031 CM Amsterdam (NL).

(88) Date of publication of the international search report:  
28 March 2002

(72) Inventors; and  
(75) Inventors/Applicants (for US only): FLORES, Joe,  
Jerry [US/US]; 3726 Greenfields Dr., Sugar Land, TX  
77479 (US). JEAN, Rong-Her [US/US]; 5810 Wilkin's  
Lane, Sugar Land, TX 77479 (US). MA, Chin-Yan,

For two-letter codes and other abbreviations, refer to the "Guid-  
ance Notes on Codes and Abbreviations" appearing at the begin-  
ning of each regular issue of the PCT Gazette.

(54) Title: APPARATUS AND METHOD FOR FORMING POLYMER CRUMB



(57) Abstract: Contactor apparatus and method (200) for removing solvent from a polymer cement. The resulting polymer is sub-  
stantially free of solvent and exhibits improved porosity and more uniform particle size distribution. In one embodiment, a contactor  
apparatus (200) consists of a cylindrical casing (201) having a high pressure section (202), a convergence section (208) a high veloc-  
ity section (214) a divergence section (220), and a discharge section (226). The polymer cement is introduced into the high pressure  
section (202) to significantly and unexpectedly improve solvent removal. The convergence (208) and divergence (220) sections  
preferably have cross-sectional areas that correspond to an angle from about 4° to about 75°. The polymer cement is mixed with high  
pressure steam. After converging, the polymer cement forms more uniform droplets due to high shear of steam. In the divergence  
(220) and discharge (226) sections, the polymer is substantially devolatilized.

WO 01/91877 A3

**INTERNATIONAL SEARCH REPORT**

International Application No

PCT/US 01/17563

<b>A. CLASSIFICATION OF SUBJECT MATTER</b>		
IPC 7	B01D19/00	C08F6/00 B01D3/06 B01F5/04
According to International Patent Classification (IPC) or to both national classification and IPC		
<b>B. FIELDS SEARCHED</b>		
Minimum documentation searched (classification system followed by classification symbols)		
IPC 7 B01D B01F C08F		
Documentation searched other than minimum documentation to the extent that such documents are included in the fields searched		
Electronic data base consulted during the international search (name of data base and, where practical, search terms used)		
EPO-Internal		
<b>C. DOCUMENTS CONSIDERED TO BE RELEVANT</b>		
Category	Citation of document, with indication, where appropriate, of the relevant passages	Relevant to claim No.
X	US 3 246 683 A (JAN YAP KIE ET AL) 19 April 1966 (1966-04-19) column 1, line 41 - line 58 column 3, line 72 -column 4, line 34; figure 1	1-6, 9-12,14
X	EP 0 323 646 A (UNION CARBIDE CORP) 12 July 1989 (1989-07-12) column 5, line 42 -column 6, line 4 column 17, line 49 -column 19, line 3; figure 3	1-4,6
X	WO 95 24252 A (DOW CHEMICAL CO) 14 September 1995 (1995-09-14)	9-14
A	page 3, line 1 -page 4, line 23; figure 1	5
	-/--	
<input checked="" type="checkbox"/> Further documents are listed in the continuation of box C. <input checked="" type="checkbox"/> Patent family members are listed in annex.		
* Special categories of cited documents : *A* document defining the general state of the art which is not considered to be of particular relevance *E* earlier document but published on or after the international filing date *L* document which may throw doubts on priority claim(s) or which is cited to establish the publication date of another citation or other special reason (as specified) *O* document referring to an oral disclosure, use, exhibition or other means *P* document published prior to the international filing date but later than the priority date claimed *T* later document published after the international filing date or priority date and not in conflict with the application but cited to understand the principle or theory underlying the invention *X* document of particular relevance; the claimed invention cannot be considered novel or cannot be considered to involve an inventive step when the document is taken alone *Y* document of particular relevance; the claimed invention cannot be considered to involve an inventive step when the document is combined with one or more other such documents, such combination being obvious to a person skilled in the art. *Z* document member of the same patent family		
Date of the actual completion of the international search		Date of mailing of the international search report
28 January 2002		04/02/2002
Name and mailing address of the ISA European Patent Office, P.B. 5818 Patentlaan 2 NL - 2280 HV Rijswijk Tel. (+31-70) 340-2040, Tx. 31 651 epo nl, Fax: (+31-70) 340-3016		Authorized officer  Van Belleghem, W

INTERNATIONAL SEARCH REPORT

International Application No

PCT/US 01/17563

C.(Continuation) DOCUMENTS CONSIDERED TO BE RELEVANT		
Category °	Citation of document, with indication, where appropriate, of the relevant passages	Relevant to claim No.
A	<p>US 3 804 145 A (ARNOLD K ET AL)                      16 April 1974 (1974-04-16)                      cited in the application                      figure 1</p> <p style="text-align: center;">-----</p>	<p>7,8,13,                      15</p>

## INTERNATIONAL SEARCH REPORT

Information on patent family members

International Application No

PCT/US 01/17563

Patent document cited in search report		Publication date	Patent family member(s)	Publication date
US 3246683	A	19-04-1966	DE 1442866 A1	05-12-1968
			GB 984202 A	24-02-1965
			NL 137124 C	
			NL 281308 A	
-----				
EP 0323646	A	12-07-1989	US 4861352 A	29-08-1989
			AT 90005 T	15-06-1993
			BR 8806967 A	29-08-1989
			CA 1339617 A1	06-01-1998
			DE 3881502 D1	08-07-1993
			DE 3881502 T2	23-09-1993
			EP 0323646 A2	12-07-1989
			ES 2040827 T3	01-11-1993
			GR 3008747 T3	30-11-1993
			JP 1297105 A	30-11-1989
			JP 1871849 C	06-09-1994
			JP 5086242 B	10-12-1993
			KR 9301596 B1	06-03-1993
			MX 168329 B	18-05-1993
US 4931225 A	05-06-1990			
-----				
WO 9524252	A	14-09-1995	US 5453158 A	26-09-1995
			AU 682254 B2	25-09-1997
			AU 1726195 A	25-09-1995
			CN 1143330 A , B	19-02-1997
			DE 69501723 D1	09-04-1998
			DE 69501723 T2	15-10-1998
			EP 0749343 A1	27-12-1996
			ES 2113187 T3	16-04-1998
			HK 1004774 A1	04-12-1998
			JP 9509980 T	07-10-1997
			WO 9524252 A1	14-09-1995
-----				
US 3804145	A	16-04-1974	BE 768467 A1	14-12-1971
			CA 959615 A1	24-12-1974
			DE 2129472 A1	23-12-1971
			ES 392213 A1	01-02-1974
			FR 2096300 A5	11-02-1972
			GB 1352192 A	08-05-1974
			JP 54017780 B	03-07-1979
			NL 7108154 A , B,	17-12-1971
-----				