

(19) World Intellectual Property
Organization
International Bureau



(43) International Publication Date
11 November 2004 (11.11.2004)

PCT

(10) International Publication Number
WO 2004/096057 A3

(51) International Patent Classification⁷: **A61B 17/068**

06484 (US). **OLSON, Lee, Ann** [US/US]; 125 South Elm Street, Wallingford, CT 06492 (US). **DEMMY, Todd, L.** [US/US]; 8145 Floss Lane, East Amherst, NY 14051 (US).

(21) International Application Number:
PCT/US2004/013291

(74) Agents: **AUDET, Paul, R.** et al.; Tyco Healthcare Group LLP, 150 Glover Avenue, Norwalk, CT 06856 (US).

(22) International Filing Date: 29 April 2004 (29.04.2004)

(81) Designated States (unless otherwise indicated, for every kind of national protection available): AE, AG, AL, AM, AT, AU, AZ, BA, BB, BG, BR, BW, BY, BZ, CA, CH, CN, CO, CR, CU, CZ, DE, DK, DM, DZ, EC, EE, EG, ES, FI, GB, GD, GE, GH, GM, HR, HU, ID, IL, IN, IS, JP, KE, KG, KP, KR, KZ, LC, LK, LR, LS, LT, LU, LV, MA, MD, MG, MK, MN, MW, MX, MZ, NA, NI, NO, NZ, OM, PG, PH, PL, PT, RO, RU, SC, SD, SE, SG, SK, SL, SY, TJ, TM, TN, TR, TT, TZ, UA, UG, US, UZ, VC, VN, YU, ZA, ZM, ZW.

(25) Filing Language: English

(26) Publication Language: English

(30) Priority Data:
60/466,378 29 April 2003 (29.04.2003) US
10/764,103 23 January 2004 (23.01.2004) US

(71) Applicant (for all designated States except US): **TYCO HEALTHCARE GROUP, LP** [US/US]; 150 Glover Avenue, Norwalk, CT 06856 (US).

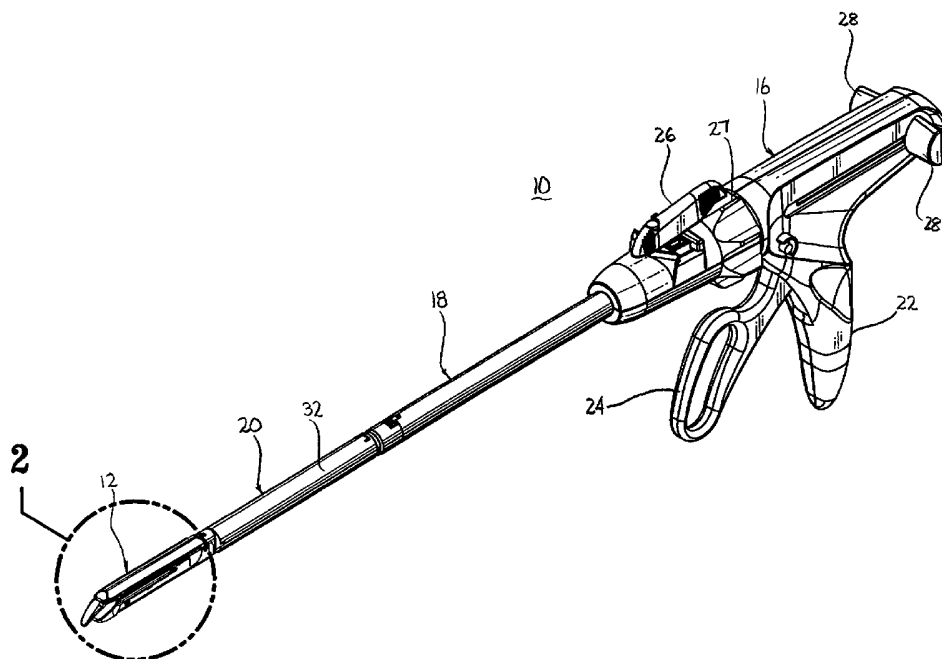
(84) Designated States (unless otherwise indicated, for every kind of regional protection available): ARIPO (BW, GH, GM, KE, LS, MW, MZ, NA, SD, SL, SZ, TZ, UG, ZM, ZW), Eurasian (AM, AZ, BY, KG, KZ, MD, RU, TJ, TM), European (AT, BE, BG, CH, CY, CZ, DE, DK, EE, ES, FI, FR, GB, GR, HU, IE, IT, LU, MC, NL, PL, PT, RO, SE, SI,

(72) Inventors; and

(75) Inventors/Applicants (for US only): **SCIRICA, Paul, A.** [US/US]; 264 Thompson Street, Huntington, CT

[Continued on next page]

(54) Title: SURGICAL STAPLING DEVICE WITH DISSECTING TIP



(57) Abstract: A dissecting tip is provided for use with a surgical stapler or instrument. In one embodiment, the dissecting tip is secured to the end effector of a surgical stapler, e.g., to the anvil assembly or cartridge assembly. The dissecting tip extends distally from the end effector and is configured to dissect or separate target tissue from certain tissue, e.g., adherent, connective, joined or other tissue.

WO 2004/096057 A3



SK, TR), OAPI (BF, BJ, CF, CG, CI, CM, GA, GN, GQ, GW, ML, MR, NE, SN, TD, TG).

For two-letter codes and other abbreviations, refer to the "Guidance Notes on Codes and Abbreviations" appearing at the beginning of each regular issue of the PCT Gazette.

Published:

- *with international search report*
- *before the expiration of the time limit for amending the claims and to be republished in the event of receipt of amendments*

(88) Date of publication of the international search report:

29 December 2004

INTERNATIONAL SEARCH REPORT

International Application No
PCT/US2004/013291

A. CLASSIFICATION OF SUBJECT MATTER
IPC 7 A61B17/068

According to International Patent Classification (IPC) or to both national classification and IPC

B. FIELDS SEARCHED

Minimum documentation searched (classification system followed by classification symbols)
IPC 7 A61B

Documentation searched other than minimum documentation to the extent that such documents are included in the fields searched

Electronic data base consulted during the international search (name of data base and, where practical, search terms used)

EPO-Internal, WPI Data

C. DOCUMENTS CONSIDERED TO BE RELEVANT

Category °	Citation of document, with indication, where appropriate, of the relevant passages	Relevant to claim No.
A	US 5 597 107 A (KNODEL BRYAN D ET AL) 28 January 1997 (1997-01-28) A surgical stapler instrument is provided for applying lateral lines of staples to tissue while cutting the tissue between those staple lines. column 1, line 29 - column 9, line 26 column 13, line 41 - column 15, line 23 -----	1-16
A	US 5 826 776 A (FOX WILLIAM D ET AL) 27 October 1998 (1998-10-27) A surgical instrument for performing endoscopic surgical procedures. column 7, line 43 - column 14, line 56 -----	1-16

Further documents are listed in the continuation of box C.

Patent family members are listed in annex.

° Special categories of cited documents :

- *A* document defining the general state of the art which is not considered to be of particular relevance
- *E* earlier document but published on or after the international filing date
- *L* document which may throw doubts on priority claim(s) or which is cited to establish the publication date of another citation or other special reason (as specified)
- *O* document referring to an oral disclosure, use, exhibition or other means
- *P* document published prior to the international filing date but later than the priority date claimed

- *T* later document published after the international filing date or priority date and not in conflict with the application but cited to understand the principle or theory underlying the invention
- *X* document of particular relevance; the claimed invention cannot be considered novel or cannot be considered to involve an inventive step when the document is taken alone
- *Y* document of particular relevance; the claimed invention cannot be considered to involve an inventive step when the document is combined with one or more other such documents, such combination being obvious to a person skilled in the art.
- *&* document member of the same patent family

Date of the actual completion of the international search 30 September 2004	Date of mailing of the international search report 27/10/2004
Name and mailing address of the ISA European Patent Office, P.B. 5818 Patentlaan 2 NL - 2280 HV Rijswijk Tel. (+31-70) 340-2040, Tx. 31 651 epo nl, Fax: (+31-70) 340-3016	Authorized officer Filali, S

INTERNATIONAL SEARCH REPORT

Information on patent family members

International Application No
PCT/US2004/013291

Patent document cited in search report		Publication date	Patent family member(s)	Publication date
US 5597107	A	28-01-1997	US 5487500 A	30-01-1996
			US 5465895 A	14-11-1995
			US 5562241 A	08-10-1996
			US 5662258 A	02-09-1997

US 5826776	A	27-10-1998	US 5632432 A	27-05-1997
			AU 696699 B2	17-09-1998
			AU 3905495 A	27-06-1996
			CA 2165399 A1	20-06-1996
			DE 69525602 D1	04-04-2002
			DE 69525602 T2	18-07-2002
			EP 0717959 A2	26-06-1996
			JP 8336540 A	24-12-1996
			US 5704534 A	06-01-1998
			US 5692668 A	02-12-1997
			US 5673840 A	07-10-1997
			US 5669544 A	23-09-1997
			US 5680982 A	28-10-1997
US 5673841 A	07-10-1997			
